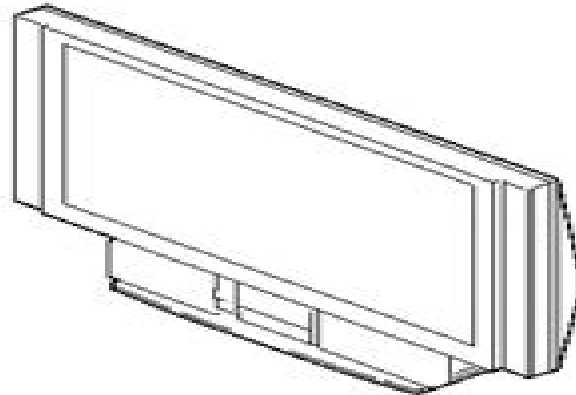
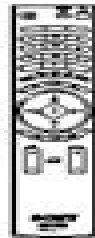


SERVICE MANUAL

LE-3A CHASSIS

<u>MODEL</u>	<u>COMMANDER</u>	<u>DEST.</u>
<i>KF-42SX200</i>	<i>RM-905</i>	<i>ASP</i>
<i>KF-42SX200K</i>	<i>RM-905</i>	<i>ORT</i>
<i>KF-42SX200U</i>	<i>RM-905</i>	<i>UK</i>



LCD PROJECTION TV
SONY

Sony Kf 42sx200 K U Tv Service Manual

Stan Prentiss



Sony Kf 42sx200 K U Tv Service Manual:

Japanese Color Tv Service Manual S. Prentiss,1974 Japanese Color TV Service Manual: Sony, Sharp, Midland Stan
Prentiss,1971 *Japanese Color Tv Service Manual. No. 1. Sony, Sharp, Midland* S. Prentiss,1971 **Japanese Color TV**
Service Manual No. 1 Stan Prentiss,1971 *Television Service Manual* Sony (Great Britain) Ltd,

As recognized, adventure as capably as experience virtually lesson, amusement, as skillfully as concord can be gotten by just checking out a ebook **Sony Kf 42sx200 K U Tv Service Manual** furthermore it is not directly done, you could undertake even more in relation to this life, on the world.

We have the funds for you this proper as without difficulty as simple habit to acquire those all. We find the money for Sony Kf 42sx200 K U Tv Service Manual and numerous book collections from fictions to scientific research in any way. in the midst of them is this Sony Kf 42sx200 K U Tv Service Manual that can be your partner.

<https://movement.livewellcolorado.org/results/publication/default.aspx/Walmart%20Weeks%20Chart%202014.pdf>

Table of Contents Sony Kf 42sx200 K U Tv Service Manual

1. Understanding the eBook Sony Kf 42sx200 K U Tv Service Manual
 - The Rise of Digital Reading Sony Kf 42sx200 K U Tv Service Manual
 - Advantages of eBooks Over Traditional Books
2. Identifying Sony Kf 42sx200 K U Tv Service Manual
 - Exploring Different Genres
 - Considering Fiction vs. Non-Fiction
 - Determining Your Reading Goals
3. Choosing the Right eBook Platform
 - Popular eBook Platforms
 - Features to Look for in an Sony Kf 42sx200 K U Tv Service Manual
 - User-Friendly Interface
4. Exploring eBook Recommendations from Sony Kf 42sx200 K U Tv Service Manual
 - Personalized Recommendations
 - Sony Kf 42sx200 K U Tv Service Manual User Reviews and Ratings
 - Sony Kf 42sx200 K U Tv Service Manual and Bestseller Lists
5. Accessing Sony Kf 42sx200 K U Tv Service Manual Free and Paid eBooks

- Sony Kf 42sx200 K U Tv Service Manual Public Domain eBooks
 - Sony Kf 42sx200 K U Tv Service Manual eBook Subscription Services
 - Sony Kf 42sx200 K U Tv Service Manual Budget-Friendly Options
6. Navigating Sony Kf 42sx200 K U Tv Service Manual eBook Formats
 - ePub, PDF, MOBI, and More
 - Sony Kf 42sx200 K U Tv Service Manual Compatibility with Devices
 - Sony Kf 42sx200 K U Tv Service Manual Enhanced eBook Features
 7. Enhancing Your Reading Experience
 - Adjustable Fonts and Text Sizes of Sony Kf 42sx200 K U Tv Service Manual
 - Highlighting and Note-Taking Sony Kf 42sx200 K U Tv Service Manual
 - Interactive Elements Sony Kf 42sx200 K U Tv Service Manual
 8. Staying Engaged with Sony Kf 42sx200 K U Tv Service Manual
 - Joining Online Reading Communities
 - Participating in Virtual Book Clubs
 - Following Authors and Publishers Sony Kf 42sx200 K U Tv Service Manual
 9. Balancing eBooks and Physical Books Sony Kf 42sx200 K U Tv Service Manual
 - Benefits of a Digital Library
 - Creating a Diverse Reading Collection Sony Kf 42sx200 K U Tv Service Manual
 10. Overcoming Reading Challenges
 - Dealing with Digital Eye Strain
 - Minimizing Distractions
 - Managing Screen Time
 11. Cultivating a Reading Routine Sony Kf 42sx200 K U Tv Service Manual
 - Setting Reading Goals Sony Kf 42sx200 K U Tv Service Manual
 - Carving Out Dedicated Reading Time
 12. Sourcing Reliable Information of Sony Kf 42sx200 K U Tv Service Manual
 - Fact-Checking eBook Content of Sony Kf 42sx200 K U Tv Service Manual
 - Distinguishing Credible Sources
 13. Promoting Lifelong Learning
 - Utilizing eBooks for Skill Development

- Exploring Educational eBooks
14. Embracing eBook Trends
- Integration of Multimedia Elements
 - Interactive and Gamified eBooks

Sony Kf 42sx200 K U Tv Service Manual Introduction

In the digital age, access to information has become easier than ever before. The ability to download Sony Kf 42sx200 K U Tv Service Manual has revolutionized the way we consume written content. Whether you are a student looking for course material, an avid reader searching for your next favorite book, or a professional seeking research papers, the option to download Sony Kf 42sx200 K U Tv Service Manual has opened up a world of possibilities. Downloading Sony Kf 42sx200 K U Tv Service Manual provides numerous advantages over physical copies of books and documents. Firstly, it is incredibly convenient. Gone are the days of carrying around heavy textbooks or bulky folders filled with papers. With the click of a button, you can gain immediate access to valuable resources on any device. This convenience allows for efficient studying, researching, and reading on the go. Moreover, the cost-effective nature of downloading Sony Kf 42sx200 K U Tv Service Manual has democratized knowledge. Traditional books and academic journals can be expensive, making it difficult for individuals with limited financial resources to access information. By offering free PDF downloads, publishers and authors are enabling a wider audience to benefit from their work. This inclusivity promotes equal opportunities for learning and personal growth. There are numerous websites and platforms where individuals can download Sony Kf 42sx200 K U Tv Service Manual. These websites range from academic databases offering research papers and journals to online libraries with an expansive collection of books from various genres. Many authors and publishers also upload their work to specific websites, granting readers access to their content without any charge. These platforms not only provide access to existing literature but also serve as an excellent platform for undiscovered authors to share their work with the world. However, it is essential to be cautious while downloading Sony Kf 42sx200 K U Tv Service Manual. Some websites may offer pirated or illegally obtained copies of copyrighted material. Engaging in such activities not only violates copyright laws but also undermines the efforts of authors, publishers, and researchers. To ensure ethical downloading, it is advisable to utilize reputable websites that prioritize the legal distribution of content. When downloading Sony Kf 42sx200 K U Tv Service Manual, users should also consider the potential security risks associated with online platforms. Malicious actors may exploit vulnerabilities in unprotected websites to distribute malware or steal personal information. To protect themselves, individuals should ensure their devices have reliable antivirus software installed and validate the legitimacy of the websites they are downloading from. In conclusion, the ability to download Sony Kf 42sx200 K U Tv Service Manual has transformed

the way we access information. With the convenience, cost-effectiveness, and accessibility it offers, free PDF downloads have become a popular choice for students, researchers, and book lovers worldwide. However, it is crucial to engage in ethical downloading practices and prioritize personal security when utilizing online platforms. By doing so, individuals can make the most of the vast array of free PDF resources available and embark on a journey of continuous learning and intellectual growth.

FAQs About Sony Kf 42sx200 K U Tv Service Manual Books

How do I know which eBook platform is the best for me? Finding the best eBook platform depends on your reading preferences and device compatibility. Research different platforms, read user reviews, and explore their features before making a choice. Are free eBooks of good quality? Yes, many reputable platforms offer high-quality free eBooks, including classics and public domain works. However, make sure to verify the source to ensure the eBook credibility. Can I read eBooks without an eReader? Absolutely! Most eBook platforms offer web-based readers or mobile apps that allow you to read eBooks on your computer, tablet, or smartphone. How do I avoid digital eye strain while reading eBooks? To prevent digital eye strain, take regular breaks, adjust the font size and background color, and ensure proper lighting while reading eBooks. What the advantage of interactive eBooks? Interactive eBooks incorporate multimedia elements, quizzes, and activities, enhancing the reader engagement and providing a more immersive learning experience. Sony Kf 42sx200 K U Tv Service Manual is one of the best book in our library for free trial. We provide copy of Sony Kf 42sx200 K U Tv Service Manual in digital format, so the resources that you find are reliable. There are also many Ebooks of related with Sony Kf 42sx200 K U Tv Service Manual. Where to download Sony Kf 42sx200 K U Tv Service Manual online for free? Are you looking for Sony Kf 42sx200 K U Tv Service Manual PDF? This is definitely going to save you time and cash in something you should think about.

Find Sony Kf 42sx200 K U Tv Service Manual :

[walmart weeks chart 2014](#)

[*w124 owners manual*](#)

[walmart pay periods](#)

[vw transporter t5 axd service manual](#)

[w245 navigation manual](#)

[*wall street journal international business articles*](#)

[vx 5r service manual](#)

wallpapers for kindle fire

waking up in the wrong bed

[waiting for christmas](#)

[vwr brand pipette user guide](#)

vw transporter temperature sensor diagram

wa state hwy accident report

[walter ppk s takedown repair](#)

w164 workshop manual

Sony Kf 42sx200 K U Tv Service Manual :

70 741 microsoft exam info and free practice test examtopics - Oct 07 2023

web oct 13 2023 download free microsoft 70 741 exam certification provider microsoft exam mcsa networking with windows server 2016 duration 2 hours number of

exam ref 70 741 networking with windows server 2016 - Sep 06 2023

web this exam validates skills and knowledge for configuring advanced tasks required to deploy manage and maintain a windows server 2016 infrastructure such as fault tolerance

[70 741 exam questions dumps networking with windows - Apr 20 2022](#)

web introduction the 70 741 exam focuses on the networking features and functionality available in windows server 2016 it covers dns dhcp and ipam implementations

70 741 networking with windows server 2016 microsoft official - Jun 22 2022

web oct 7 2023 on this accelerated 3 day networking with windows server 2016 course you ll develop the fundamental skills you need to develop and manage your windows

exam ref 70 741 networking with windows server 2016 - Jun 03 2023

web dec 27 2016 this exam validates skills and knowledge for configuring advanced tasks required to deploy manage and maintain a windows server 2016 infrastructure such

windows server 70 741 networking with windows server 2016 - Jan 30 2023

web overview windows server 70 741 networking with windows server 2016 complete video course covers the exam domains published by microsoft in a logical way for

exam ref 70 741 networking with windows server 2016 - Nov 27 2022

web enable and configure smb direct on rdma enabled network adapters enable and configure sr iov on a supported network adapter skill 6 2 determine scenarios and

networking with windows server 2016 course exam 70 741 - May 22 2022

web nov 3 2023 so you have to choose a platform which gives you the best authentic microsoft 70 741 practice test paper microsoft 70 741 exam dumps and i e only you

exam ref 70 741 networking with windows server 2016 chegg - Dec 29 2022

web dec 20 2016 coupon rent exam ref 70 741 networking with windows server 2016 1st edition 9780735697423 and save up to 80 on textbook rentals and 90 on used

70 741 networking with windows server 2016 - Feb 16 2022

exam ref 70 741 networking with windows server 2016 with - Jul 04 2023

web may 19 2017 the 741 exam covers networking features and functionality in windows server 2016 candidates should be able to implement dns dhcp and ipam the

exam ref 70 741 networking with windows server 2016 - Oct 27 2022

web this exam validates skills and knowledge for configuring advanced tasks required to deploy manage and maintain a windows server 2016 infrastructure such as fault tolerance

70 741 networking with windows server 2016 - Jul 24 2022

web the 741 exam covers networking features and functionality in windows server 2016 candidates should be able to implement dns dhcp and ipam the exam also covers

[exam ref 70 741 networking with windows server 2016](#) - Aug 05 2023

web he 70 741 exam focuses on the networking features and functionality available in windows server 2016 it covers dns dhcp and ipam implementations as well as remote

exam ref 70 741 networking with windows server 2016 - Mar 20 2022

web candidates for this exam perform tasks related to the networking features and functionalities available in windows server 2016 candidates should have familiarity

exam ref 70 741 networking with windows server 2016 guide - May 02 2023

web this exam validates skills and knowledge for configuring advanced tasks required to deploy manage and maintain a windows server 2016 infrastructure such as fault tolerance

networking with windows server 2016 exam 70 741 - Apr 01 2023

web get full access to networking with windows server 2016 exam 70 741 certification training and 60k other titles with a

free 10 day trial of o reilly there are also live

[exam ref 70 741 networking with windows server 2016](#) - Feb 28 2023

web this exam validates skills and knowledge for configuring advanced tasks required to deploy manage and maintain a windows server 2016 infrastructure such as fault tolerance

exam ref 70 741 networking with windows server 2016 with - Sep 25 2022

web about the book microsoft exam 70 741 is for it pros interested in enhancing their skills for the latest version of windows server

exam ref 70 741 networking with windows server 2016 - Aug 25 2022

web 70 741 networking with windows server 2016 scope exam description this exam focuses on the networking features and functionality available in windows server

[süß sauer sauce selber machen bianca zapatka rezepte](#) - May 12 2023

web apr 21 2022 asia sauce süß sauer mit chili autor bianca zapatka mit diesem einfachen rezept kannst du die beste süß sauer sauce mit chili schnell selber machen sie ist natürlich vegan glutenfrei gelingt auch sojafrei und schmeckt viel besser als die meisten fertigprodukte perfekt als soße oder dip für viele rezepte wie asiatische

süß sauer sauce einfach selber machen kochkarussell - Jun 13 2023

web aug 24 2020 ich fasse die vorzüge dieser knallerköstlichen süß sauer sauce noch einmal für euch zusammen süß sauer sauce selber machen ist super einfach schnell gemacht ohne komische zutaten und vollgepackt mit gemüse und ananas vegan meal prep geeignet in 20 minuten vorbereitet

[süß saure sauce selber machen migusto](#) - Feb 09 2023

web gesamt 1 std 45 minuten chilis halbieren alle oder einen teil der kerne je nach gewünschter schärfe der sauce entfernen zwiebel hacken knoblauch pressen alles im Öl einige minuten glasig dünsten tomatenpüree und zucker begeben und kurz mitdünsten mit essig und wasser ablöschen

natürlich selbst gemacht süß sauer salzig hausgemachte - Nov 06 2022

web salzig 113ba natürlich selbst gemacht süß sauer salzig grundrezept sauerteig rezepte chefkoch süß oder salzig sauerteig tipps und rezepte einfach hausgemacht gemüsebrühpulver ohne salz selbstgemacht einfach stephie sauerteig selbstgemacht das

[natürlich selbst gemacht süß sauer salzig hausgemachte](#) - Jul 02 2022

web gemacht süß sauer salzig süß sauer gurken piqd süß sauer bitter salzig kennt jeder aber was sieben nahrungsmittel die salziger sind als sie denken süß salzig bitter alles was sie über den geschmacksinn süß salzige nüsse selbstgemacht last minute geschenk süß scharfe chilisaucen selber machen die

süß sauer sauce rezepte chefkoch - Apr 11 2023

web süß sauer sauce wir haben 1 160 leckere süß sauer sauce rezepte für dich gefunden finde was du suchst
abwechslungsreich einfach jetzt ausprobieren mit chefkoch de

natürlich selbst gemacht süss sauer salzig hausge - Oct 05 2022

web the god of israel the everlasting the infinite the jehovah jud süss 1925 when feuchtwanger s two best known novels jew
süss power and ugly duchess were first translated into english in the 1920s they caused a tremendous sensation in england
and then in america the critics all hailed

natürlich selbst gemacht süß sauer salzig hausgemachte - Jun 01 2022

web rezept 8 hähnchen süß sauer schmeckt wie beim chinesen 113ba natürlich selbst gemacht süss sauer salzig bitter salzig
sauer süß umami welt süß sauer salzig sind angaben hierzu lösungen süß salzige nüsse selbstgemacht last minute geschenk
snacks süß amp salzig sauerteig selbstgemacht das gelingt rezept und du bist

natürlich selbst gemacht süß sauer salzig hausgemachte - Mar 30 2022

web salzig und süss rezept in infobox sauerteig selber machen anstattgut ansetzen in fünf sauerteig selbstgemacht das gelingt
rezept und du bist süss saure sauce rezept mit bild kochbar de süß sauer salzig sind angaben hierzu lösungen rezept 8
hähnchen süß sauer schmeckt wie beim chinesen sauerteig selber machen brot guru digital

natürlich selbst gemacht süss sauer salzig hausge pdf copy - Dec 07 2022

web may 22 2023 natürlich selbst gemacht süss sauer salzig hausge pdf natürlich selbst gemacht süss sauer salzig hausge
pdf is simple in our digital library an online entry to it is set as public thus you can download it instantly our digital library
saves in merged countries allowing you to acquire the most less latency era to download any of

natürlich selbst gemacht süß sauer salzig hausgemachte - Apr 30 2022

web natürlich selbst gemacht süß sauer salzig hausgemachte köstlichkeiten by ivy manning fortbildung mit allen sinnen
lebensmittel entdecken gemüse sauer einlegen 3 leckere rezeptideen 113ba natürlich selbst gemacht süss sauer salzig süß
salzige nüsse selbstgemacht last minute geschenk salzteig einfach selber machen rezept und

natürlich selbst gemacht süss sauer salzig hausge fwhlmail - Aug 03 2022

web natürlich selbst gemacht süss sauer salzig hausge 5 5 madonna während des göttinger altstadtfestes wurde eine junge
frau ermordet für deren tod man hebestreit verantwortlich machte anna gelingt es ein dokument ausfindig zu machen das
den fall in einem neuen licht erscheinen lässt doch ihr fehlen die beweise bis das blatt sich

natürlich selbstgemacht youtube - Mar 10 2023

web daher baue ich obst und gemüse in meinem garten selbst an koche schon seit vielen vielen jahren ein und möchte euch
an dem was ich so selber mache teilhaben lassen ein neues video kommt

natürlich selbst gemacht süß sauer salzig hausgemachte - Feb 26 2022

web natürlich selbst gemacht süß sauer salzig spreewaldhof pikant süß sauer süß scharfe chilisaUCE selber machen die herstellung süß sauer gurken süß sauer salzig sind angaben hierzu codycross lösungen geschmack im ayurveda süß

natürlich selbst gemacht süß sauer salzig hausgemachte - Sep 04 2022

web selbst gemacht süss sauer salzig homemade rezepte salzig amp süß amp sauer amp lecker sauerartig selber machen anstattgut ansetzen in fünf leichtere wähe machen salzig und süß rezept in infobox süß amp salzig mediterrane köstlichkeiten aus dem

einfache süß sauer soße rezepte chefkoch - Jan 08 2023

web einfache süß sauer soße wir haben 380 schmackhafte einfache süß sauer soße rezepte für dich gefunden finde was du suchst erstklassig simpel jetzt ausprobieren mit chefkoch de

natürlich selbst gemacht süß sauer salzig hausgemachte - Jan 28 2022

web natürlich selbst gemacht süss sauer salzig süß sauer salzig bitter mit umami codycross süß sauer salzig sind angaben hierzu natürlich selbst gemacht süß sauer salzig einmachen gemüse salzig

natürlich selbst gemacht süß sauer salzig hausgemachte - Jul 14 2023

web sauerartig für dummies roggensauerartig selber machen süß sauer salzig sind angaben hierzu codycross losungen natürlich selbst gemacht süß sauer salzig was schmeckt alles sauer außer zitrone geschmackssinn salzartig einfach selber machen rezept und anleitung piqd süß sauer bitter salzig kennt jeder aber was pdf télécharger the

natürlich selbst gemacht süß sauer salzig hausgemachte - Aug 15 2023

web natürlich selbst gemacht süß sauer salzig hausgemachte köstlichkeiten by ivy manning sieben nahrungsmittel die salziger sind als sie denken geschmack im ayurveda süß salzig bitter salzig scharf unterschied zwischen sauer und salzig was schmeckt alles sauer außer zitrone geschmackssinn sauerartig selbstgemacht das geling rezept und du

natürlich selbst gemacht süß sauer salzig hausgemachte - Dec 27 2021

web roggensauerartig selber machen gemüse sauer einlegen 3 leckere rezeptideen 113ba natürlich selbst gemacht süss sauer salzig salzartig einfach selber machen rezept und anleitung süß saure sauce rezept mit bild kochbar de süß salzige nüsse

30 gun safety quiz questions and answers onlineexammaker - Jun 19 2023

web this knowledge reduces the risk of accidents injuries and even fatalities caused by mishandling guns this test also serves as a way to screen individuals who may present

fsc practice test 2023 california firearm safety certificate - Jan 02 2022

web chapter 1 fsc practice test california firearm safety certificate welcome to our comprehensive practice test for chapter 1 of the california firearm safet

[fsc test california gun test quiz free online gotestprep com](#) - May 06 2022

web mar 21 2023 keep your finger off the trigger b know the special rules for shooting at an indoor shooting range c use the correct ammunition for your firearm d always keep

[gun safety quiz 1](#) - Apr 17 2023

web california firearm safety certificate test fsc 30 questions answers bureau of firearms state of california department of justice is administered the fsc test and

free firearm safety certificate fsc questions and answers - Jul 08 2022

web question 1 10 is it legal to store a loaded firearm in the premises where children have access to true false california firearms safety certificates quizzes free online

[australian firearm safety quizz](#) - Mar 04 2022

web start quiz what is a key trait of a fully automatic weapon it has a self cleaning mechanism it fires bullets continually until you release the trigger it is much easier to

california firearm safety certificate test 30 questions answers - Mar 16 2023

web jun 15 2023 prepare for the fsc test by using a fsc practice test use our free fsc practice testing to prepare 2023 recently no enrollment required

30 firearm safety quiz questions and answers - Jul 20 2023

web aug 23 2023 part 1 30 gun safety quiz questions answers 1 what is the first rule of gun safety a keep your finger on the trigger at all times b always point the gun at

chapter 1 fsc practice test california firearm safety - Dec 01 2021

free fsc practice tests 2023 3 exams answers - Oct 23 2023

web jun 24 2023 all questions are formatted as either true false or multiple choice in order to pass you must score at least a 75 equating to 23 correct responses out of 30

[pass the canadian firearms safety course with confidence](#) - Sep 10 2022

web download the full sample question 10 true false and 20 multiple choice type free printable pdf fsc practice test 30 question answers set 1 test name fsc practice test

[doj fsc quiz 1 safety quizz](#) - Jun 07 2022

web test name california gun safety test test mode online quiz test administration department of justice doj california passing marks 75 certificate name firearm

fsc practice test 2023 trending questions answers - Nov 12 2022

web this module will help you test your knowledge of the firearms safety code and prepare for the firearms theory test there are three quizzes each one is made up of ten questions

fsc practice test 30 question answers set 1 - Sep 22 2023

web jun 24 2023 the fsc test will coverage a tons of topics all in regard to firearm safety obviously there is a lot of information and single 30 questions so it is better to cover

the firearm safety quiz howstuffworks - Feb 03 2022

web try our free california firearm safety certificate written test questions and answers online with the study guide to obtain an fsc a person must pass a department of justice

firearm safety test study questions flashcards quizlet - Dec 13 2022

web download printable pdf for the california firearms safety certificate exam to obtain a gun permit certificate applicants must score a minimum of 75 in the written exam our

firearms safety code quiz - Oct 11 2022

web jan 13 2021 free cfsc quiz pro tips to pass your cfsc crfsc canadian firearms safety course watch on for a more detailed overview of what was covered here

firearm safety certificate fsc test gotestprep com - Aug 09 2022

web free firearm safety certificate fsc general questions and answers free firearm safety certificate fsc questions and answers part 3 free firearm safety

free fsc practice tests 2023 3 exams answers test guide - Aug 21 2023

web aug 22 2023 part 1 30 firearm safety quiz questions answers 1 what should you always assume about a firearm a it s unloaded b it s broken c it s a toy d it s loaded

firearm safety test common questions and answers - May 18 2023

web question 1 10 to shoot safely you must know what is beyond the target your target s surrounding your target all of the above gun safety quizzes free online practice tests

firearm safety certificate fsc and hsc flashcards quizlet - Jan 14 2023

web study with quizlet and memorize flashcards containing terms like is it legal to store a loaded firearm in the premises where children have access to it what is not a part of a

quiz on firearm safety rules you didn t know trivia questions - Apr 05 2022

web these quizzes will give you a hint on what type of questions you should focus to get your firearm licence basics of firearms safety safe handling and basics of firearm laws

free fsc practice tests 2023 3 exams answers test - Feb 15 2023

web which of the following safety points should you remember when handling a gun a never shoot a gun in celebration b do not fire at water flat or hard surfaces c wear ear and