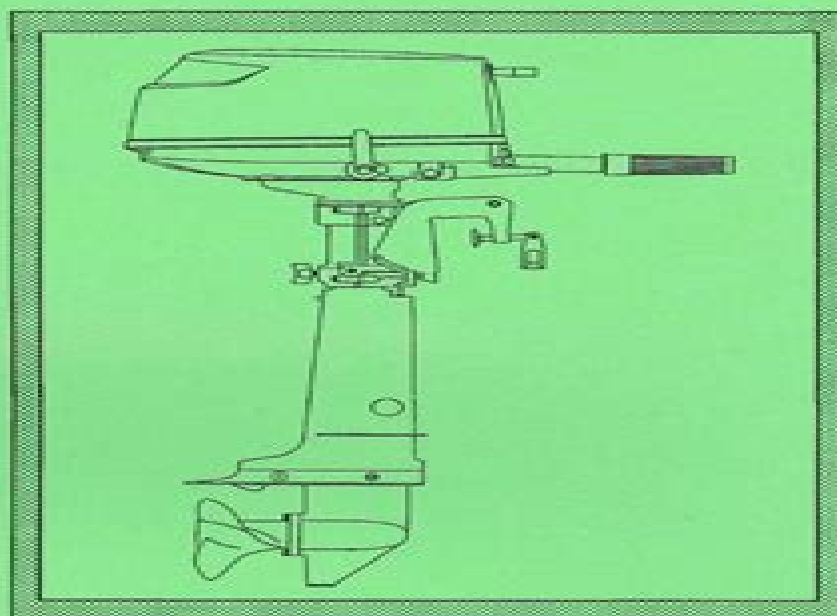


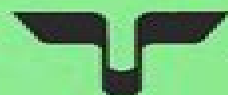
TOHATSU
OUTBOARD



**SERVICE
MANUAL**

4-Stroke Cycle

5



TOHATSU CORPORATION

Tohatsu Steering Service Manual

Emilie Sanchez



Tohatsu Steering Service Manual:

AC Maintenance & Repair Manual for Outboard Motors Jean Luc Pallas,2013-08-10 The aim of this book with its detailed step by step colour photographs and diagrams is to enable every owner to fix their outboard motor with ease Troubleshooting tables help diagnose potential problems and there is advice on regular maintenance and winterising and repair Jean Luc Pallas s enthusiasm for passing on his knowledge as well as his clear explanations precise advice and step by step instructions make this a unique book **Yachting** ,1982-03 **Yachting** ,1982-01 **Atlantic Fisherman** ,1984-12

Tohatsu Outboard Motor ,1984 **Seloc Nissan/Tohatsu Outboards 1992-09 Repair Manual** (Seloc) Seloc,2010 Covers all 2 140 HP 2 stroke and 4 stroke engines including EFI TLDI Front cover **Tohatsu Outboard Motor, M5A2, M3.5A** ,1981 Shop Manual Tokyo Hatsudoki Co., Ltd,19?? Shop Manual Tokyo Hatsudoki Co., Ltd,19?? **Tohatsu 2-Stroke OB 92-00** Penton Staff,2000-05-24 2 5 HP 3 5 HP 5 HP 8 HP 9 8 HP 9 9 HP 15 HP 18 HP 25 HP 30 HP 40 HP 50 HP 60 HP 70 HP 80 HP 90 HP 115 HP 120 HP 140 HP **Trucks Service Manual** Aktiebolaget Volvo.,1974 **Workshop Manual** Isuzu Jidōsha Kabushiki Kaisha,197? *Service Manual: Power Steering for 2-cylinder Tractors(sm-2050)* John Deere, **Service Manual** ,1972 *Mazda E-series 4-wheel Drive Power Steering* Mazda Motor Corporation (Hiroshima),1986 **Front End and Steering Gear** ,1974 Mazda Bongo Friendee Service Manual JPNZ (Firm),2006

Isuzu Workshop Manual Isuzu Jidōsha Kabushiki Kaisha,198? **Toyota Echo/Yaris Automotive Repair Manual** R. M. Jex,John Harold Haynes,2009 Series NCP10 12 NCP90 91 93 4 cylinder with 1 3L 1 5L petrol **Outboard Motor Service Manual** Intertec Publishing Corp.. Abos Marine Publications Division,1973

As recognized, adventure as well as experience just about lesson, amusement, as skillfully as treaty can be gotten by just checking out a books **Tohatsu Steering Service Manual** afterward it is not directly done, you could take on even more not far off from this life, a propos the world.

We give you this proper as well as simple way to get those all. We come up with the money for Tohatsu Steering Service Manual and numerous ebook collections from fictions to scientific research in any way. in the course of them is this Tohatsu Steering Service Manual that can be your partner.

<https://movement.livewellcolorado.org/About/publication/default.aspx/migatronic%20service%20manual.pdf>

Table of Contents Tohatsu Steering Service Manual

1. Understanding the eBook Tohatsu Steering Service Manual
 - The Rise of Digital Reading Tohatsu Steering Service Manual
 - Advantages of eBooks Over Traditional Books
2. Identifying Tohatsu Steering Service Manual
 - Exploring Different Genres
 - Considering Fiction vs. Non-Fiction
 - Determining Your Reading Goals
3. Choosing the Right eBook Platform
 - Popular eBook Platforms
 - Features to Look for in an Tohatsu Steering Service Manual
 - User-Friendly Interface
4. Exploring eBook Recommendations from Tohatsu Steering Service Manual
 - Personalized Recommendations
 - Tohatsu Steering Service Manual User Reviews and Ratings
 - Tohatsu Steering Service Manual and Bestseller Lists
5. Accessing Tohatsu Steering Service Manual Free and Paid eBooks

- Tohatsu Steering Service Manual Public Domain eBooks
 - Tohatsu Steering Service Manual eBook Subscription Services
 - Tohatsu Steering Service Manual Budget-Friendly Options
6. Navigating Tohatsu Steering Service Manual eBook Formats
 - ePub, PDF, MOBI, and More
 - Tohatsu Steering Service Manual Compatibility with Devices
 - Tohatsu Steering Service Manual Enhanced eBook Features
 7. Enhancing Your Reading Experience
 - Adjustable Fonts and Text Sizes of Tohatsu Steering Service Manual
 - Highlighting and Note-Taking Tohatsu Steering Service Manual
 - Interactive Elements Tohatsu Steering Service Manual
 8. Staying Engaged with Tohatsu Steering Service Manual
 - Joining Online Reading Communities
 - Participating in Virtual Book Clubs
 - Following Authors and Publishers Tohatsu Steering Service Manual
 9. Balancing eBooks and Physical Books Tohatsu Steering Service Manual
 - Benefits of a Digital Library
 - Creating a Diverse Reading Collection Tohatsu Steering Service Manual
 10. Overcoming Reading Challenges
 - Dealing with Digital Eye Strain
 - Minimizing Distractions
 - Managing Screen Time
 11. Cultivating a Reading Routine Tohatsu Steering Service Manual
 - Setting Reading Goals Tohatsu Steering Service Manual
 - Carving Out Dedicated Reading Time
 12. Sourcing Reliable Information of Tohatsu Steering Service Manual
 - Fact-Checking eBook Content of Tohatsu Steering Service Manual
 - Distinguishing Credible Sources
 13. Promoting Lifelong Learning
 - Utilizing eBooks for Skill Development

-
- Exploring Educational eBooks
14. Embracing eBook Trends
- Integration of Multimedia Elements
 - Interactive and Gamified eBooks

Tohatsu Steering Service Manual Introduction

In this digital age, the convenience of accessing information at our fingertips has become a necessity. Whether its research papers, eBooks, or user manuals, PDF files have become the preferred format for sharing and reading documents. However, the cost associated with purchasing PDF files can sometimes be a barrier for many individuals and organizations. Thankfully, there are numerous websites and platforms that allow users to download free PDF files legally. In this article, we will explore some of the best platforms to download free PDFs. One of the most popular platforms to download free PDF files is Project Gutenberg. This online library offers over 60,000 free eBooks that are in the public domain. From classic literature to historical documents, Project Gutenberg provides a wide range of PDF files that can be downloaded and enjoyed on various devices. The website is user-friendly and allows users to search for specific titles or browse through different categories. Another reliable platform for downloading Tohatsu Steering Service Manual free PDF files is Open Library. With its vast collection of over 1 million eBooks, Open Library has something for every reader. The website offers a seamless experience by providing options to borrow or download PDF files. Users simply need to create a free account to access this treasure trove of knowledge. Open Library also allows users to contribute by uploading and sharing their own PDF files, making it a collaborative platform for book enthusiasts. For those interested in academic resources, there are websites dedicated to providing free PDFs of research papers and scientific articles. One such website is Academia.edu, which allows researchers and scholars to share their work with a global audience. Users can download PDF files of research papers, theses, and dissertations covering a wide range of subjects. Academia.edu also provides a platform for discussions and networking within the academic community. When it comes to downloading Tohatsu Steering Service Manual free PDF files of magazines, brochures, and catalogs, Issuu is a popular choice. This digital publishing platform hosts a vast collection of publications from around the world. Users can search for specific titles or explore various categories and genres. Issuu offers a seamless reading experience with its user-friendly interface and allows users to download PDF files for offline reading. Apart from dedicated platforms, search engines also play a crucial role in finding free PDF files. Google, for instance, has an advanced search feature that allows users to filter results by file type. By specifying the file type as "PDF," users can find websites that offer free PDF downloads on a specific topic. While downloading Tohatsu Steering Service Manual free PDF files is convenient, its important to note that copyright laws must be respected. Always ensure that the PDF files you download are

legally available for free. Many authors and publishers voluntarily provide free PDF versions of their work, but its essential to be cautious and verify the authenticity of the source before downloading Tohatsu Steering Service Manual. In conclusion, the internet offers numerous platforms and websites that allow users to download free PDF files legally. Whether its classic literature, research papers, or magazines, there is something for everyone. The platforms mentioned in this article, such as Project Gutenberg, Open Library, Academia.edu, and Issuu, provide access to a vast collection of PDF files. However, users should always be cautious and verify the legality of the source before downloading Tohatsu Steering Service Manual any PDF files. With these platforms, the world of PDF downloads is just a click away.

FAQs About Tohatsu Steering Service Manual Books

What is a Tohatsu Steering Service Manual PDF? A PDF (Portable Document Format) is a file format developed by Adobe that preserves the layout and formatting of a document, regardless of the software, hardware, or operating system used to view or print it. **How do I create a Tohatsu Steering Service Manual PDF?** There are several ways to create a PDF: Use software like Adobe Acrobat, Microsoft Word, or Google Docs, which often have built-in PDF creation tools. Print to PDF: Many applications and operating systems have a "Print to PDF" option that allows you to save a document as a PDF file instead of printing it on paper. Online converters: There are various online tools that can convert different file types to PDF. **How do I edit a Tohatsu Steering Service Manual PDF?** Editing a PDF can be done with software like Adobe Acrobat, which allows direct editing of text, images, and other elements within the PDF. Some free tools, like PDFescape or Smallpdf, also offer basic editing capabilities. **How do I convert a Tohatsu Steering Service Manual PDF to another file format?** There are multiple ways to convert a PDF to another format: Use online converters like Smallpdf, Zamzar, or Adobe Acrobat's export feature to convert PDFs to formats like Word, Excel, JPEG, etc. Software like Adobe Acrobat, Microsoft Word, or other PDF editors may have options to export or save PDFs in different formats. **How do I password-protect a Tohatsu Steering Service Manual PDF?** Most PDF editing software allows you to add password protection. In Adobe Acrobat, for instance, you can go to "File" -> "Properties" -> "Security" to set a password to restrict access or editing capabilities. Are there any free alternatives to Adobe Acrobat for working with PDFs? Yes, there are many free alternatives for working with PDFs, such as: LibreOffice: Offers PDF editing features. PDFsam: Allows splitting, merging, and editing PDFs. Foxit Reader: Provides basic PDF viewing and editing capabilities. How do I compress a PDF file? You can use online tools like Smallpdf, iLovePDF, or desktop software like Adobe Acrobat to compress PDF files without significant quality loss. Compression reduces the file size, making it easier to share and download. Can I fill out forms in a PDF file? Yes, most PDF viewers/editors like Adobe Acrobat, Preview (on Mac), or various online tools allow you to fill out forms in PDF files by selecting text fields and entering

information. Are there any restrictions when working with PDFs? Some PDFs might have restrictions set by their creator, such as password protection, editing restrictions, or print restrictions. Breaking these restrictions might require specific software or tools, which may or may not be legal depending on the circumstances and local laws.

Find Tohatsu Steering Service Manual :

[migatronic service manual](#)

[vespa gts 250 i e full service repair manual 2007 onwards](#)

[90 1014 acs provider manual](#)

mini cooper service manual torrent

manual bmw z8

[mercruiser alpha drive owners manual](#)

[blue pelican math teacher version algebra 1 unit 8](#)

manuale della registrazione sonora

[9 x 9 blank math tables](#)

[manuale di istruzioni in italiano eos 400d canon digital](#)

lg 500g tracfone manual

suzuki every manual

2nd semester exam chemistry form

metering pump handbook

quizlet accounting chapter 9

Tohatsu Steering Service Manual :

The Ancient Mysteries of Melchizedek Revised Edition ... The Ancient Mysteries of Melchizedek Revised Edition (Nabi Moshe Y. Lewis) (Ancient Mysteries of Melchizedek) · Buy New. \$19.46\$19.46. FREE delivery: Jan 9 - 10. Ancient Mysteries of Melchizedek by Lewis, Nabi Moshe Y. This book has been awe inspiring on how to pray and get specific spiritual answers. There is excellent guide lines on how to prostrate myself before my Most ... The Ancient Mysteries of Melchizedek The Ancient Mysteries of Melchizedek will change your life from sickness to health, poverty to riches, despair to hope, sadness to joy, anger to. Ancient Mysteries of Melchizedek by Nabi Moshe Y. Lewis Ancient Mysteries of Melchizedek is a book concerning truth when pressed to the earth will rise again. Ancient Mysteries is the evidence of the above, ... The Ancient

Mysteries of Melchizedek Revised Edition ... The Ancient Mysteries of Melchizedek Revised Edition (Nabi Moshe Y. Lewis) (Ancient Mysteries of Melchizedek) by Johanan Lewis, Et Al - ISBN 10: 0966542614 ... The Ancient Mysteries of Melchizedek This best selling metaphysical classic on the wonders of the holy name of YHWH- YAHWEH- has just been revised with exciting new chapters on the war in ... The Ancient Mysteries of Melchizedek The Ancient Mysteries of Melchizedek. The Ancient Mysteries of Melchizedek. 9780966542615. \$17.95. Product Description. ISBN-13: 978-0966542615 The Ancient Mysteries of Melchizedek Revised Edition ... The Ancient Mysteries of Melchizedek Revised Edition (Nabi Moshe Y. Lewis) (Ancient Mysteries of Melchizedek) · 0966542614 · 9780966542615 · Best prices to buy, ... THE ANCIENT MYSTERIES OF MELCHIZEDEK Product Description. by Melchizedek Y. Lewis Synopsis: The Ancient Mysteries of Melchizedek will change your life from sickness to health, poverty to riches ... 2006 Hummer H3 Repair Shop Manual Original 2 Volume. ... Used like new 2006 Factory like new GM Hummer H3 service manual 2 volume set. What you see is what you will receive, we don't use stock photos. Is there an available paper back repair manual for h3?? Aug 23, 2018 — Anyone know where i can get a hold of a repair/service manual for a 2006 H3?? Hummer Vehicle Repair Manuals & Literature for sale Get the best deals on Hummer Vehicle Repair Manuals & Literature when you shop the largest online selection at eBay.com. Free shipping on many items ... H3 service and repair manual Jan 29, 2013 — Hi guys, I am looking for an 07 H3 service and repair manual, I saw there are some pages that offer a download ... HUMMER H3 2006-2010; H3T 2009- ... GMC Hummer Workshop Manual 2006 - 2010 H3 Free ... This repair manual covers all topics related to servicing, maintenance, general repairs, advanced repairs and rebuild guidelines for engine, gearbox, ... Official Workshop Manual Service Repair Hummer H3 2005 Official Workshop Manual Service Repair Hummer H3 2005 - 2010. 1.0 out of 5 stars1 product rating. More items related to this product. Haynes repair and workshop manuals | Print & Digital Explore Haynes for DIY repair manuals, from cars to motorcycles. Get illustrated guides in print or digital formats for easy maintenance at your fingertips. Hummer H3 Workshop Repair Manual Download - Pinterest Oct 26, 2019 — Oct 26, 2019 - Hummer H3 Workshop Service Repair Manual Download, Workshop Manual for Professional & Home Vehicle Repair, Fix, Maintenance, ... Hummer H3 H3T 2005 2006 2007 2008 2009 2010 Repair ... This Professional Manual covers all repairs, servicing and troubleshooting procedures. It is very detailed and contains hundreds of pages with detailed photos & ... HUMMER H3 2006 - 2010 Workshop Manual | Instant ... Get your HUMMER H3 2006 - 2010 Workshop Manual | Instant Download! No wait time. Download now for comprehensive repair guidance. 100% buyer satisfaction. African Religion VOL. 1- ANUNIAN THEOLOGY THE ... African Religion VOL. 1- ANUNIAN THEOLOGY THE MYSTERIES OF RA The Philosophy of Anu and The Mystical Teachings of The Ancient Egyptian Creation Myth ... African Religion Vol. 1, Anunian Theology ... African Religion Vol. 1, Anunian Theology and the Philosophy of Ra [Ashby, Muata] on Amazon.com. *FREE* shipping on qualifying offers. African Religion Vol. African Religion Vol. 1, Anunian... book by Muata Ashby African Religion VOL. 1- ANUNIAN THEOLOGY THE MYSTERIES OF RA The Philosophy of

Anu and The Mystical Teachings of The Ancient Egyptian Creation Myth ... Anunian Theology: Ancient Egyptian Mysteries of Ra and ... Bibliographic information ; Edition, 4, illustrated ; Publisher, Cruzian Mystic Books, 1997 ; ISBN, 1884564380, 9781884564383 ; Length, 184 pages. The Kemetic tree of life : ancient Egyptian metaphysics &... This was a special teaching describing the secret wisdom about the nature of the universe and of the soul as well as a path to make the journey, through varied ... African Religion Vol 1 - Anunian Theology PDF The symbolism of the Kabbalistic tree of life is to be understood as a mystic code ... ANUNIAN THEOLOGY: THE MYSTICAL PHILOSOPHY OF RA RELIGION. Pythagoras,. 85 ... Find Popular Books by Muata Ashby Shop the latest titles by Muata Ashby at Alibris including hardcovers, paperbacks, 1st editions, and audiobooks from thousands of sellers worldwide. Remembering Asar: An Argument to Authenticate Rastafari's ... by CL McAllister · 2009 · Cited by 1 — Researchers suggest, however, that the Nile Valley. 21 Muata Ashby, Anunian Theology: The Mysteries of Ra Theology and the Mystical Tree of Life,. (Alabama: ... The Kemetic Model of the Cosmological Interactive Self by SREK Maat · 2014 · Cited by 19 — This essay seeks to contribute to the development of an African-centered sociological approach to examine Africana lesbian, gay, bisexual, ... The Mystic Chapters of The Rau nu Prt m Hru 1. Book of the dead. 2. Yoga. 3. Incantations, Egyptian. 4. Egypt--Religion. 5. Philosophy, Egyptian. I ...