

Installation

- 01 Heat the output bearing's inner race to max. 110 °C. Place protection ring IX56 138 187 (1) onto the output bearing to do this.

NOTE

The shafts must be assembled correctly ready for installation.

⚠ DANGER

Only touch heated protective tool when wearing protective gloves.

- 02 Remove protection ring IX56 138 187 and carefully insert the shafts fully into the transmission housing.
- 03 Pull the shafts into the correct axial position from the output end using a bushing (against the bearing inner race or speedometer worm) and a hex bolt (M12x1.5). Tightening torque = 120 Nm.

NOTE**Separate clutch housing version**

Check the installation is correct by measuring distance "B", see section 10.1. Remove the bushing and hex bolt.

- 04 Remove fixtures and auxiliary strip
- 05 Coat thread of articulated bolts with sealing compound. First screw in articulated bolts of 1st/2nd gear with spring washer.

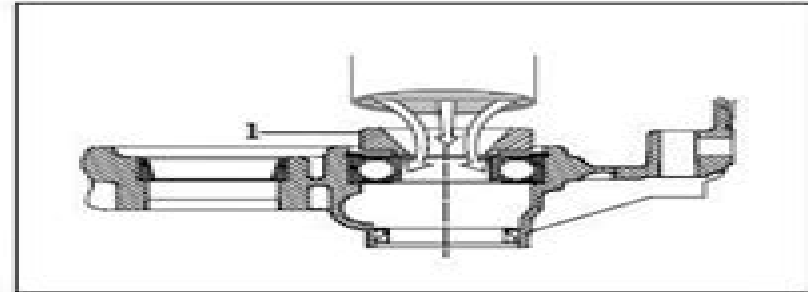
NOTE

Articulated bolts for 1st/2nd gear (2) = approx 48.5 mm
 Articulated bolts for 3rd/4th gear (3) = approx 55.0 mm
 Articulated bolts for 5th/6th gear (4) = approx 55.0 mm

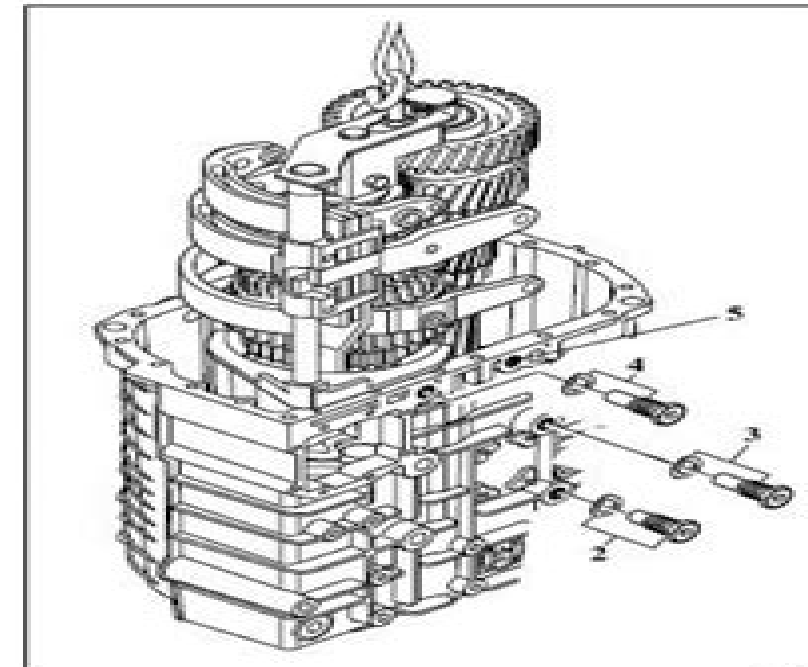
NOTE

Overdrive version (4),
 direct drive version (5).

- 06 Screw in and tighten the remaining articulated bolts and spring washers as previously described. Tightening torque = 160 Nm.



06 13946



06 13957

Zf Transmission Repair Manual S5d

Christian G. Meyer



Zf Transmission Repair Manual S5d:

Unveiling the Magic of Words: A Overview of "**Zf Transmission Repair Manual S5d**"

In a global defined by information and interconnectivity, the enchanting power of words has acquired unparalleled significance. Their ability to kindle emotions, provoke contemplation, and ignite transformative change is truly awe-inspiring. Enter the realm of "**Zf Transmission Repair Manual S5d**," a mesmerizing literary masterpiece penned by a distinguished author, guiding readers on a profound journey to unravel the secrets and potential hidden within every word. In this critique, we shall delve in to the book is central themes, examine its distinctive writing style, and assess its profound affect the souls of its readers.

https://movement.livewellcolorado.org/About/scholarship/HomePages/Solutions_Sprice_Livarea_Age_Beds.pdf

Table of Contents Zf Transmission Repair Manual S5d

1. Understanding the eBook Zf Transmission Repair Manual S5d
 - The Rise of Digital Reading Zf Transmission Repair Manual S5d
 - Advantages of eBooks Over Traditional Books
2. Identifying Zf Transmission Repair Manual S5d
 - Exploring Different Genres
 - Considering Fiction vs. Non-Fiction
 - Determining Your Reading Goals
3. Choosing the Right eBook Platform
 - Popular eBook Platforms
 - Features to Look for in an Zf Transmission Repair Manual S5d
 - User-Friendly Interface
4. Exploring eBook Recommendations from Zf Transmission Repair Manual S5d
 - Personalized Recommendations
 - Zf Transmission Repair Manual S5d User Reviews and Ratings
 - Zf Transmission Repair Manual S5d and Bestseller Lists

5. Accessing Zf Transmission Repair Manual S5d Free and Paid eBooks
 - Zf Transmission Repair Manual S5d Public Domain eBooks
 - Zf Transmission Repair Manual S5d eBook Subscription Services
 - Zf Transmission Repair Manual S5d Budget-Friendly Options
6. Navigating Zf Transmission Repair Manual S5d eBook Formats
 - ePub, PDF, MOBI, and More
 - Zf Transmission Repair Manual S5d Compatibility with Devices
 - Zf Transmission Repair Manual S5d Enhanced eBook Features
7. Enhancing Your Reading Experience
 - Adjustable Fonts and Text Sizes of Zf Transmission Repair Manual S5d
 - Highlighting and Note-Taking Zf Transmission Repair Manual S5d
 - Interactive Elements Zf Transmission Repair Manual S5d
8. Staying Engaged with Zf Transmission Repair Manual S5d
 - Joining Online Reading Communities
 - Participating in Virtual Book Clubs
 - Following Authors and Publishers Zf Transmission Repair Manual S5d
9. Balancing eBooks and Physical Books Zf Transmission Repair Manual S5d
 - Benefits of a Digital Library
 - Creating a Diverse Reading Collection Zf Transmission Repair Manual S5d
10. Overcoming Reading Challenges
 - Dealing with Digital Eye Strain
 - Minimizing Distractions
 - Managing Screen Time
11. Cultivating a Reading Routine Zf Transmission Repair Manual S5d
 - Setting Reading Goals Zf Transmission Repair Manual S5d
 - Carving Out Dedicated Reading Time
12. Sourcing Reliable Information of Zf Transmission Repair Manual S5d
 - Fact-Checking eBook Content of Zf Transmission Repair Manual S5d
 - Distinguishing Credible Sources
13. Promoting Lifelong Learning

- Utilizing eBooks for Skill Development
 - Exploring Educational eBooks
14. Embracing eBook Trends
- Integration of Multimedia Elements
 - Interactive and Gamified eBooks

Zf Transmission Repair Manual S5d Introduction

In the digital age, access to information has become easier than ever before. The ability to download Zf Transmission Repair Manual S5d has revolutionized the way we consume written content. Whether you are a student looking for course material, an avid reader searching for your next favorite book, or a professional seeking research papers, the option to download Zf Transmission Repair Manual S5d has opened up a world of possibilities. Downloading Zf Transmission Repair Manual S5d provides numerous advantages over physical copies of books and documents. Firstly, it is incredibly convenient. Gone are the days of carrying around heavy textbooks or bulky folders filled with papers. With the click of a button, you can gain immediate access to valuable resources on any device. This convenience allows for efficient studying, researching, and reading on the go. Moreover, the cost-effective nature of downloading Zf Transmission Repair Manual S5d has democratized knowledge. Traditional books and academic journals can be expensive, making it difficult for individuals with limited financial resources to access information. By offering free PDF downloads, publishers and authors are enabling a wider audience to benefit from their work. This inclusivity promotes equal opportunities for learning and personal growth. There are numerous websites and platforms where individuals can download Zf Transmission Repair Manual S5d. These websites range from academic databases offering research papers and journals to online libraries with an expansive collection of books from various genres. Many authors and publishers also upload their work to specific websites, granting readers access to their content without any charge. These platforms not only provide access to existing literature but also serve as an excellent platform for undiscovered authors to share their work with the world. However, it is essential to be cautious while downloading Zf Transmission Repair Manual S5d. Some websites may offer pirated or illegally obtained copies of copyrighted material. Engaging in such activities not only violates copyright laws but also undermines the efforts of authors, publishers, and researchers. To ensure ethical downloading, it is advisable to utilize reputable websites that prioritize the legal distribution of content. When downloading Zf Transmission Repair Manual S5d, users should also consider the potential security risks associated with online platforms. Malicious actors may exploit vulnerabilities in unprotected websites to distribute malware or steal personal information. To protect themselves, individuals should ensure their devices have reliable antivirus software installed and validate the legitimacy of the websites they are downloading from. In conclusion, the ability

to download Zf Transmission Repair Manual S5d has transformed the way we access information. With the convenience, cost-effectiveness, and accessibility it offers, free PDF downloads have become a popular choice for students, researchers, and book lovers worldwide. However, it is crucial to engage in ethical downloading practices and prioritize personal security when utilizing online platforms. By doing so, individuals can make the most of the vast array of free PDF resources available and embark on a journey of continuous learning and intellectual growth.

FAQs About Zf Transmission Repair Manual S5d Books

How do I know which eBook platform is the best for me? Finding the best eBook platform depends on your reading preferences and device compatibility. Research different platforms, read user reviews, and explore their features before making a choice. Are free eBooks of good quality? Yes, many reputable platforms offer high-quality free eBooks, including classics and public domain works. However, make sure to verify the source to ensure the eBook credibility. Can I read eBooks without an eReader? Absolutely! Most eBook platforms offer web-based readers or mobile apps that allow you to read eBooks on your computer, tablet, or smartphone. How do I avoid digital eye strain while reading eBooks? To prevent digital eye strain, take regular breaks, adjust the font size and background color, and ensure proper lighting while reading eBooks. What the advantage of interactive eBooks? Interactive eBooks incorporate multimedia elements, quizzes, and activities, enhancing the reader engagement and providing a more immersive learning experience. Zf Transmission Repair Manual S5d is one of the best book in our library for free trial. We provide copy of Zf Transmission Repair Manual S5d in digital format, so the resources that you find are reliable. There are also many Ebooks of related with Zf Transmission Repair Manual S5d. Where to download Zf Transmission Repair Manual S5d online for free? Are you looking for Zf Transmission Repair Manual S5d PDF? This is definitely going to save you time and cash in something you should think about.

Find Zf Transmission Repair Manual S5d :

[solutions sprice livarea age beds](#)

[sonitrol keypad user guide](#)

[something i said innuendo and out the other](#)

[solutions pre intermediate test unit oxford](#)

[solving exponential eqs w out logarithms](#)

[solutions manual statistics](#)

solutions manual microeconomics paul krugman

sonora english edition

[solutions manual serway modern physics](#)

[somatic sensory and motor pathways wiley](#)

[sony bravia kdl32cx523 manual](#)

[sonar x1 reference guide](#)

sony bd remote manual

[sonnet18-1-6 answers](#)

sony bdp n460 manual

Zf Transmission Repair Manual S5d :

Edexcel GCSE ICT Revision Guide ... This book is good for revision and has great end of unit summary questions, but they give little detail when explaining things which, if you're revising for ... Digital Devices - Part 1 - Edexcel IGCSE ICT 9-1 - YouTube Edexcel IGCSE - ICT - Chapter 1 - Lesson 1 Digital Devices ... GCSE ICT This unit provides an introduction to the modern online world. We will base the course around your current knowledge and build on it to investigate a range ... Edexcel GCSE ICT Revision Guide & Workbook Sample Edexcel GCSE ICT Revision Guide & Workbook Sample - Free download as PDF File (.pdf), Text File (.txt) or read online for free. This is our GCSE ICT sample ... Roger Crawford - Edexcel international GCSE ... Jan 5, 2019 — Check Pages 1-50 of Roger Crawford - Edexcel international GCSE ICT. Revision guide (2013, Pearson Education) in the flip PDF version. GCSE ICT Revision Guides Is the GCSE ICT exam looming? Revise and ace the exams with our adaptive GCSE ICT revision guides and flashcards. Top GCSE ICT Flashcards Ranked by Quality. IGCSE Edexcel ICT Revision Guide Digital • A digital video camera or camcorder records moving images with sound. Recordings can be saved on a memory card or built-in hard disk, and input to a ... International-GCSE-ICT-Student-Book-sample.pdf You can personalise your ActiveBook with notes, highlights and links to your wider reading. It is perfect for supporting your coursework and revision activities ... ICT GCSE Edexcel Chapter 1 - Living in a Digital World GCSE ICT revision notes. 0.0 / 5. ICT GCSE EDEXCEL REVISION. 3.0 / 5 based on 2 ratings. See all ICT resources »See all Communications resources ... Cognition - Matlin, Margaret W.: Books Book details · ISBN-10. 1118148967 · ISBN-13. 978-1118148969 · Edition. 8th · Publisher. Wiley · Publication date. November 5, 2012 · Language. English · Dimensions. Cognitive Psychology: 9781118318690: Matlin, Margaret W. The 8th edition continues to relate cognitive topics to applications in everyday life. This edition is fully updated with research and additional anecdotes. Cognition 8th edition 9781118148969 1118148967 Rent Cognition 8th edition (978-1118148969) today, or search our site for other textbooks by Margaret W. Matlin. Every textbook

comes with a 21-day "Any ... Margaret W. Matlin | Get Textbooks Books by Margaret Matlin ; Learning & Behavior(9th Edition) Eighth Edition ; Cognition(10th Edition) ; Cognitive Psychology, Eighth Edition International Student ... Cognition, 8th Edition - Margaret W. Matlin Nov 6, 2012 — Margaret Matlin s Cognition demonstrates how cognitive processes are relevant to everyday, real-world experiences, and frequently examines ... Cognition - Matlin, Margaret W.: 9781118148969 The 8th edition continues to relate cognitive topics to applications in everyday life. This edition is fully updated with research and additional anecdotes. Cognition 8th edition Margaret W. Matlin Used Like New Cognition 8th edition Margaret W. Matlin Used Like New. Condition is "Like New". Shipped with USPS Retail Ground. Margaret W Matlin > Compare Discount Book Prices & ... The 9th edition continues to relate cognitive topics to applications in everyday life. This e ..." Cognition(8th Edition) by Margaret W. Matlin Hardcover ... Cognition | Rent | 9781118476925 COUPON: RENT Cognition 8th edition by Matlin eBook (9781118476925) and save up to 80% on online textbooks at Chegg.com now! Kinetic and Potential Energy Worksheet KEY $g=9.8$ Calculate it. 21. Determine the kinetic energy of a 1000-kg roller coaster car that is moving with a speed of 20.0 m/s. 22. KINETIC AND POTENTIAL ENERGY WORKSHEET Answer the following: a. What is the kinetic energy of a 1-kilogram ball is thrown into the air with an initial velocity of 30 m/sec? $KE = \frac{1}{2} m v^2$ $\frac{1}{2} (1 \text{ kg}) \dots$ Kinetic Energy (KE) = $\frac{1}{2}$ mass times velocity squared Potential and Kinetic Energy Worksheet. Kinetic Energy (KE) = $\frac{1}{2}$ mass times velocity squared. $KE = \frac{1}{2} m v^2$. Potential Energy (PE) = mass times the acceleration ... Kinetic and potential energy worksheet answer key o myaiu kinetic and potential energy worksheet classify the following as type of potential energy or kinetic energy (use the letters or bicyclist pedaling up ... Kinetic and Potential Energy Worksheet Walkthrough - YouTube kinetic and potential energy worksheet Flashcards A. How much kinetic energy does the ball have? B. How much potential energy does the ball have when it reaches the top of the ascent? KINETIC AND POTENTIAL ENERGY WORKSHEET Answer the following: a. What is the kinetic energy of a 1-kilogram ball is thrown into the air with an initial velocity of 30 m/sec? Kinetic vs Potential Energy Practice KEY Page 1. Scanned by CamScanner. Page 2. Scanned by CamScanner. Potential and kinetic energy worksheet and answer key This easy to read, one page passage about potential energy :explains potential energy as stored energygives examples such as a car ...