

1. Put the arbor into the plate of the auxiliary drive of the assembled clutch and slip the plate of the travel clutch on the protruding part of the arbor, with its longer hub side to the engine.
2. Slide the assembled clutch uniformly on the flywheel body. During this operation take care that the driving bolts of the driving clutch fit into the recess of the clutch body.

Engine clutch adjustment (Fig. 29)

The travel clutch has been designed so that no special adjustment is needed for the whole service life of the plate using. Just check whether all three travel clutch levers (Fig. 29'1) are positioned on one plane and whether they are in contact with

the bearing of the shifting sleeves (Fig. 29'2). In case that one or two travel clutch levers (Fig. 29'3) have a greater play than 0.15 mm from the bearing, adjust the levers with nuts (Fig. 29'3) so that they come in touch with the bearing.

A complete wear of the travel clutch plate is identified by a slippage of the clutch. When replacing the travel clutch plate, adjust the clutch when the tractor is still separated. Set the travel clutch levers (Fig. 29'1) by means of the nuts (Fig. 29'3) to a distance of 25 mm, measured from the recessing in the clutch shaft (Fig. 29'4).

The maximum difference in adjustment of the levers allowed is 0.25 mm.

After attaching the engine to the gearbox, press the clutch pedal as far as it is possible about five

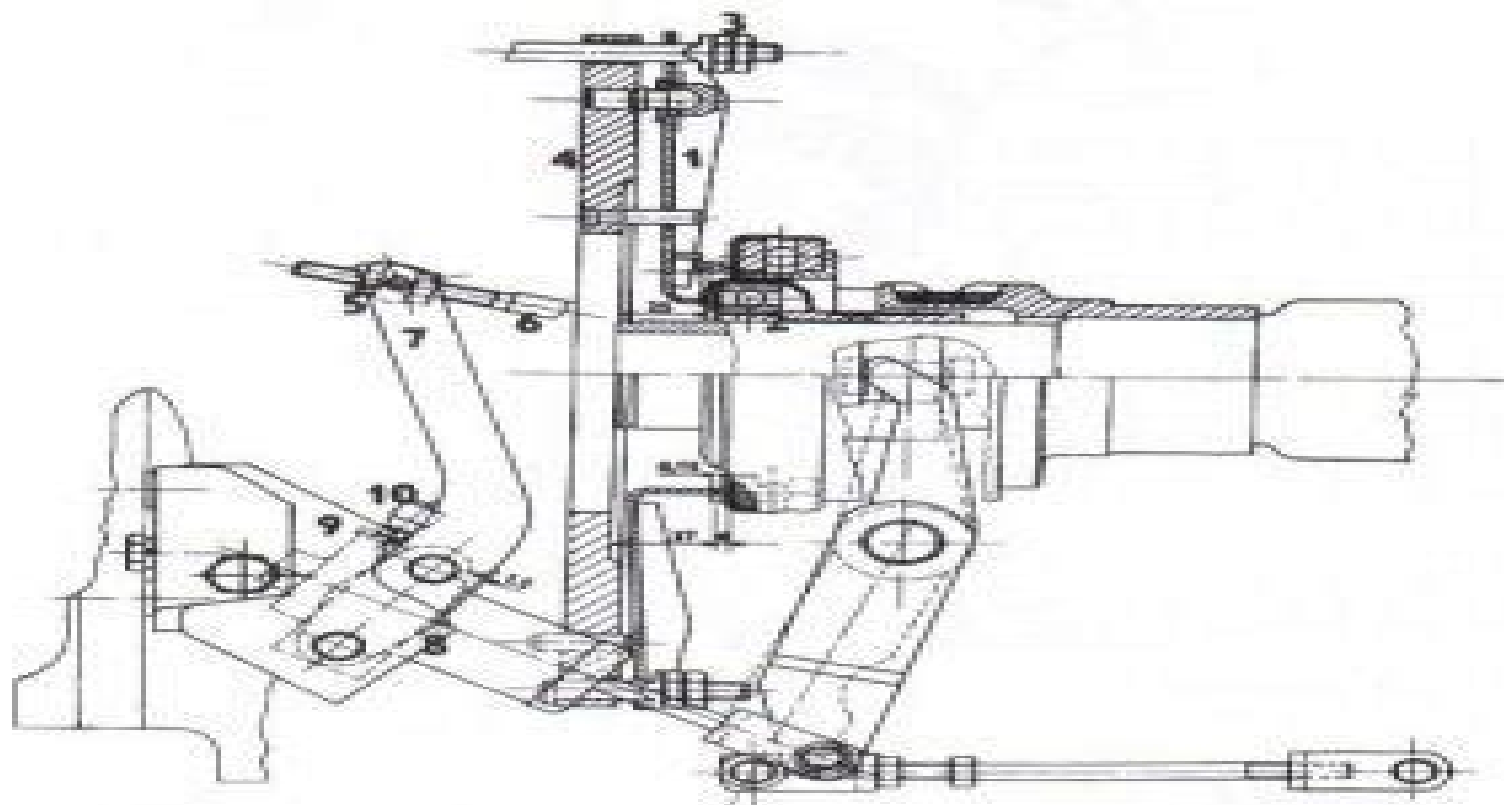


Fig. 29

Zetor 5211 Manual

G Orfield



Zetor 5211 Manual:

Power Farming in Australia and New Zealand Technical Manual ,1989 Implement & Tractor Red Book ,1988
Farm Equipment Red Book Issue ,1990 *Bibliography of Agriculture* ,1987 **Farmers and Consumers Market**
Bulletin ,2010 **Telikin 22 Quick Start Guide and User's Manual** Jared Landis,Jeff Bell,Fred Allegrezza,Jeremiah
Johnson,Ken McCarter,2019-08-14 Telikin 22 GIEC User Manual

The Enigmatic Realm of **Zetor 5211 Manual**: Unleashing the Language is Inner Magic

In a fast-paced digital era where connections and knowledge intertwine, the enigmatic realm of language reveals its inherent magic. Its capacity to stir emotions, ignite contemplation, and catalyze profound transformations is nothing lacking extraordinary. Within the captivating pages of **Zetor 5211 Manual** a literary masterpiece penned by a renowned author, readers embark on a transformative journey, unlocking the secrets and untapped potential embedded within each word. In this evaluation, we shall explore the book's core themes, assess its distinct writing style, and delve into its lasting effect on the hearts and minds of people who partake in its reading experience.

https://movement.livewellcolorado.org/book/scholarship/HomePages/key_of_the_chest.pdf

Table of Contents Zetor 5211 Manual

1. Understanding the eBook Zetor 5211 Manual
 - The Rise of Digital Reading Zetor 5211 Manual
 - Advantages of eBooks Over Traditional Books
2. Identifying Zetor 5211 Manual
 - Exploring Different Genres
 - Considering Fiction vs. Non-Fiction
 - Determining Your Reading Goals
3. Choosing the Right eBook Platform
 - Popular eBook Platforms
 - Features to Look for in an Zetor 5211 Manual
 - User-Friendly Interface
4. Exploring eBook Recommendations from Zetor 5211 Manual
 - Personalized Recommendations
 - Zetor 5211 Manual User Reviews and Ratings
 - Zetor 5211 Manual and Bestseller Lists

5. Accessing Zetor 5211 Manual Free and Paid eBooks
 - Zetor 5211 Manual Public Domain eBooks
 - Zetor 5211 Manual eBook Subscription Services
 - Zetor 5211 Manual Budget-Friendly Options
6. Navigating Zetor 5211 Manual eBook Formats
 - ePub, PDF, MOBI, and More
 - Zetor 5211 Manual Compatibility with Devices
 - Zetor 5211 Manual Enhanced eBook Features
7. Enhancing Your Reading Experience
 - Adjustable Fonts and Text Sizes of Zetor 5211 Manual
 - Highlighting and Note-Taking Zetor 5211 Manual
 - Interactive Elements Zetor 5211 Manual
8. Staying Engaged with Zetor 5211 Manual
 - Joining Online Reading Communities
 - Participating in Virtual Book Clubs
 - Following Authors and Publishers Zetor 5211 Manual
9. Balancing eBooks and Physical Books Zetor 5211 Manual
 - Benefits of a Digital Library
 - Creating a Diverse Reading Collection Zetor 5211 Manual
10. Overcoming Reading Challenges
 - Dealing with Digital Eye Strain
 - Minimizing Distractions
 - Managing Screen Time
11. Cultivating a Reading Routine Zetor 5211 Manual
 - Setting Reading Goals Zetor 5211 Manual
 - Carving Out Dedicated Reading Time
12. Sourcing Reliable Information of Zetor 5211 Manual
 - Fact-Checking eBook Content of Zetor 5211 Manual
 - Distinguishing Credible Sources
13. Promoting Lifelong Learning

- Utilizing eBooks for Skill Development
 - Exploring Educational eBooks
14. Embracing eBook Trends
- Integration of Multimedia Elements
 - Interactive and Gamified eBooks

Zetor 5211 Manual Introduction

Zetor 5211 Manual Offers over 60,000 free eBooks, including many classics that are in the public domain. Open Library: Provides access to over 1 million free eBooks, including classic literature and contemporary works. Zetor 5211 Manual Offers a vast collection of books, some of which are available for free as PDF downloads, particularly older books in the public domain. Zetor 5211 Manual : This website hosts a vast collection of scientific articles, books, and textbooks. While it operates in a legal gray area due to copyright issues, its a popular resource for finding various publications. Internet Archive for Zetor 5211 Manual : Has an extensive collection of digital content, including books, articles, videos, and more. It has a massive library of free downloadable books. Free-eBooks Zetor 5211 Manual Offers a diverse range of free eBooks across various genres. Zetor 5211 Manual Focuses mainly on educational books, textbooks, and business books. It offers free PDF downloads for educational purposes. Zetor 5211 Manual Provides a large selection of free eBooks in different genres, which are available for download in various formats, including PDF. Finding specific Zetor 5211 Manual, especially related to Zetor 5211 Manual, might be challenging as theyre often artistic creations rather than practical blueprints. However, you can explore the following steps to search for or create your own Online Searches: Look for websites, forums, or blogs dedicated to Zetor 5211 Manual, Sometimes enthusiasts share their designs or concepts in PDF format. Books and Magazines Some Zetor 5211 Manual books or magazines might include. Look for these in online stores or libraries. Remember that while Zetor 5211 Manual, sharing copyrighted material without permission is not legal. Always ensure youre either creating your own or obtaining them from legitimate sources that allow sharing and downloading. Library Check if your local library offers eBook lending services. Many libraries have digital catalogs where you can borrow Zetor 5211 Manual eBooks for free, including popular titles. Online Retailers: Websites like Amazon, Google Books, or Apple Books often sell eBooks. Sometimes, authors or publishers offer promotions or free periods for certain books. Authors Website Occasionally, authors provide excerpts or short stories for free on their websites. While this might not be the Zetor 5211 Manual full book , it can give you a taste of the authors writing style. Subscription Services Platforms like Kindle Unlimited or Scribd offer subscription-based access to a wide range of Zetor 5211 Manual eBooks, including some popular titles.

FAQs About Zetor 5211 Manual Books

How do I know which eBook platform is the best for me? Finding the best eBook platform depends on your reading preferences and device compatibility. Research different platforms, read user reviews, and explore their features before making a choice. Are free eBooks of good quality? Yes, many reputable platforms offer high-quality free eBooks, including classics and public domain works. However, make sure to verify the source to ensure the eBook credibility. Can I read eBooks without an eReader? Absolutely! Most eBook platforms offer webbased readers or mobile apps that allow you to read eBooks on your computer, tablet, or smartphone. How do I avoid digital eye strain while reading eBooks? To prevent digital eye strain, take regular breaks, adjust the font size and background color, and ensure proper lighting while reading eBooks. What the advantage of interactive eBooks? Interactive eBooks incorporate multimedia elements, quizzes, and activities, enhancing the reader engagement and providing a more immersive learning experience. Zetor 5211 Manual is one of the best book in our library for free trial. We provide copy of Zetor 5211 Manual in digital format, so the resources that you find are reliable. There are also many Ebooks of related with Zetor 5211 Manual. Where to download Zetor 5211 Manual online for free? Are you looking for Zetor 5211 Manual PDF? This is definitely going to save you time and cash in something you should think about. If you trying to find then search around for online. Without a doubt there are numerous these available and many of them have the freedom. However without doubt you receive whatever you purchase. An alternate way to get ideas is always to check another Zetor 5211 Manual. This method for see exactly what may be included and adopt these ideas to your book. This site will almost certainly help you save time and effort, money and stress. If you are looking for free books then you really should consider finding to assist you try this. Several of Zetor 5211 Manual are for sale to free while some are payable. If you arent sure if the books you would like to download works with for usage along with your computer, it is possible to download free trials. The free guides make it easy for someone to free access online library for download books to your device. You can get free download on free trial for lots of books categories. Our library is the biggest of these that have literally hundreds of thousands of different products categories represented. You will also see that there are specific sites catered to different product types or categories, brands or niches related with Zetor 5211 Manual. So depending on what exactly you are searching, you will be able to choose e books to suit your own need. Need to access completely for Campbell Biology Seventh Edition book? Access Ebook without any digging. And by having access to our ebook online or by storing it on your computer, you have convenient answers with Zetor 5211 Manual To get started finding Zetor 5211 Manual, you are right to find our website which has a comprehensive collection of books online. Our library is the biggest of these that have literally hundreds of thousands of different products represented. You will also see that there are specific sites catered to different categories or niches related with Zetor 5211 Manual So depending on what exactly you are searching, you will be able to choose ebook to suit your own need. Thank you for reading Zetor 5211 Manual. Maybe you have knowledge that,

people have search numerous times for their favorite readings like this Zetor 5211 Manual, but end up in harmful downloads. Rather than reading a good book with a cup of coffee in the afternoon, instead they juggled with some harmful bugs inside their laptop. Zetor 5211 Manual is available in our book collection an online access to it is set as public so you can download it instantly. Our digital library spans in multiple locations, allowing you to get the most less latency time to download any of our books like this one. Merely said, Zetor 5211 Manual is universally compatible with any devices to read.

Find Zetor 5211 Manual :

key of the chest

[journey back to love](#)

[vespa gts 250 i e repair service manual](#)

[nissan frontier d40 full service repair manual 2011 2013](#)

larcheologie du monde - constitution de lespace idealisme et intuitionnisme chez husserl phaenomenologica volume 157

[mini cooper s 2010 shop manual](#)

[oniria le royaume des recircvcs coeacutedition hachettehildegarde](#)

[4th grade synthesizing](#)

ein lesebuch fur unsere zeit

[the banner campaign banners and its positive sides](#)

activboard links newton county schools

[mini cooper s 2010 mini convertible manual](#)

19 3 acids and bases answer key chemistry

[mightier than the sword the clifton chronicles](#)

la charola una historia de los servicios de inteligencia en mexico

Zetor 5211 Manual :

Moving Pictures: The History of Early Cinema by B Manley · 2011 · Cited by 19 — This Discovery Guide explores the early history of cinema, following its foundations as a money-making novelty to its use as a new type of storytelling and ... The Early History of Motion Pictures | American Experience The pair set out to create a device that could record moving pictures. In 1890 Dickson unveiled the Kinetograph, a primitive motion picture camera. In 1892 he ... A Brief History of Cinema -

Moving Pictures - Open Textbooks In that same year, over in France, Auguste and Louis Lumiere invented the cinematographe which could perform the same modern miracle. The Lumiere brothers would ... A very short history of cinema Jun 18, 2020 — The first to present projected moving pictures to a paying audience were the Lumière brothers in December 1895 in Paris, France. They used a ... Moving Pictures: The History of Early Cinema A World History of Film · Art · 2001. This authoritative volume is a readable, illustrated history of motion pictures from pre-cinema to ... Moving Pictures The History of Early Cinema.pdf - ... In 1882, Etienne Jules Marey was the first to develop a single camera that could shoot multiple images, taking 12 photographs in one second. Marey's ... The history of motion pictures In their first phase, motion pictures emphasized just movement. There was no sound, usually no plot and no story. Just movement. One of the earliest movie ... Origins of Motion Pictures | History of Edison ... An overview of Thomas A. Edison's involvement in motion pictures detailing the development of the Kinetoscope, the films of the Edison Manufacturing Company ... Early Cinema One highlight of our Early Cinema collection is the 1907 to 1927 run of Moving Picture World, one of the motion picture industry's earliest trade papers. Moving ... Online Income Tax Preparation Course Enroll in H&R Block's virtual tax preparation course to master your return or start a career. With our comprehensive tax classes, courses, and training ... Block Academy H&R Block. Welcome to Block Academy, H&R Block's Learning Management System! Important Information! This login page is for H&R Block Income Tax Course (ITC) ... H&R Block - Amp Amp is H&R Block's New Intranet. On June 29, 2022, H&R Block officially launched Amp, our new intranet experience, replacing DNA, our prior intranet portal. How To Become A Tax Preparer We'll walk you through what a tax preparer does and a few common paths to learning income tax return preparation, as there's no one tax preparer course for U.S. ... H&R Block Virtual Tax Course Aug 20, 2020 — A new career as a tax pro could be yours in 12 weeks. This course is safe, at home, and is FREE for WorkSource customers. H&R Block Opens Enrollment for Its Income Tax Course Aug 21, 2023 — Enroll in H&R Block's Income Tax Course to deepen your understanding of taxes and tax codes. Classes start August 28th through June 2024. Untitled ... H&R Welcome to uLearn, H&R Block's Learning Management System! For current/active H&R Block Associates, log in using your 6-digit H&R Block ID. ; To search ... Cornerstone Talent Experience: One platform. Limitless ... Empower your people to work more effectively. Deliver, manage, and track global training for your workforce, customers, and partners. Learn More ... UKG: HR and workforce management solutions Our purpose is people™ and we provide HR, payroll, and workforce management solutions that inspire your people and elevate the work experience. Eldo RF User's Manual This document contains information that is proprietary to Mentor Graphics Corporation. The original recipient of this document may duplicate this document ... Eldo Platform | Siemens Software Offering a complete solution for verifying analog, RF, and mixed-signal circuits for the automotive, industrial, medical, and other mission-critical markets. Eldo User's Manual ... Free Telephone: 800.592.2210. Website: www.mentor.com. SupportNet: www.mentor ... RF simulations where a piece of microstrip or stripline discontinuity

has to ... Eldo Device Equations Manual ... Free Telephone: 800.592.2210. Website: www.mentor.com. SupportNet: supportnet ... RF Parameters 845. Table 24-14 ... Eldo Platform Industry-proven platform for analog-centric circuits, offering a differentiated solution for reliability verification and comprehensive circuit analysis and ... Eldo User Guide | PDF | Bipolar Junction Transistor Eldo User Guide - Free ebook download as PDF File (.pdf), Text File (.txt) or read book online for free. Not an original document. Will be helpful to people ... Eldo Users Manual Dec 31, 2013 — Eldo Users Manual. Eldo Users Manual. Eldo Users Manual. SHOW MORE. SHOW LESS. ePAPER READ · DOWNLOAD ePAPER. TAGS; eldo · manual · parameters ... Eldo Simulation Student WorkBook Apr 5, 2014 — Does anybody have online or pdf file "Eldo Simulation Student Workbook"? (Full version) I am very appreciated if someone can help me. RF CIRCUIT DESIGN (multi-tone) sources as well as a complete RF toolbox, including Smith Chart diagrams, gain and stability circles, and minimum noise figure. Eldo RF is part. ELDO SST and chopper amplifiers simulation does anyone know the SST analysis with the ELDO software? i need it to simulate a chopper amplifier, but i've never used this kind of simulation. Then i'll.