

Sensitivity and strength combine with versatility to ensure the continuing popularity of the Series 1 Improved design which is available in two versions.

Model 2001-SZ is the standard arm having a typical pivot to stylus distance of 9-102" (231.2 mm). Average effective mass is 12.5 grams. It is the one most frequently used and has a detachable shell, SZ, which is interchangeable with others of similar pattern.

Model 2000 is generally similar but the shell is non-detachable, saving weight and reducing the average effective mass to 9.5 grams. This can provide better matching for high compliance cartridges by raising the system resonance above the critical 5-8 Hz region in which excitation by record wear occurs.

Both models have a polished bright anodized aluminium tone arm 9-375" (9.5 mm diameter) with a wall thickness of .002" (0.05 mm). A flexure living inside the despatch of acoustic information.

The SZ shell is pressed from aluminium alloy, internally perforated for lightness and strength.

Series 1 Improved arms are compact and easily adjustable. Their balance range can be widened if desired with one or another of the accessory weights offered for the purpose.

Straightforward design makes them a popular choice with enthusiasts and professional users throughout the world. Each arm is meticulously built and tested and will meet its specification reliable for many years.

A fluid damper, FD 200, is an optional extra. The normal passage of the arm across the record is unaffected but influences which tend to produce spot motion are resisted by the flow characteristics of the fluid, reducing sensitivity to shock. It is effective in both planes and can be adjusted to give different rates of damping.

Dimensions

	Inches	mm
Minimum length pivot to stylus	9-100	231.2
Distance from lead-in groove to turntable centre (L)	9-000	228.6
Tracking adjustment	±0-50	±12.7
Height above mounting surface (H) - adjustable		
max	9-125	231.8
min	2-275	58.1
Height of turntable surface above mounting surface (T)		
max	1-625	41.9
min	1-000	25.4

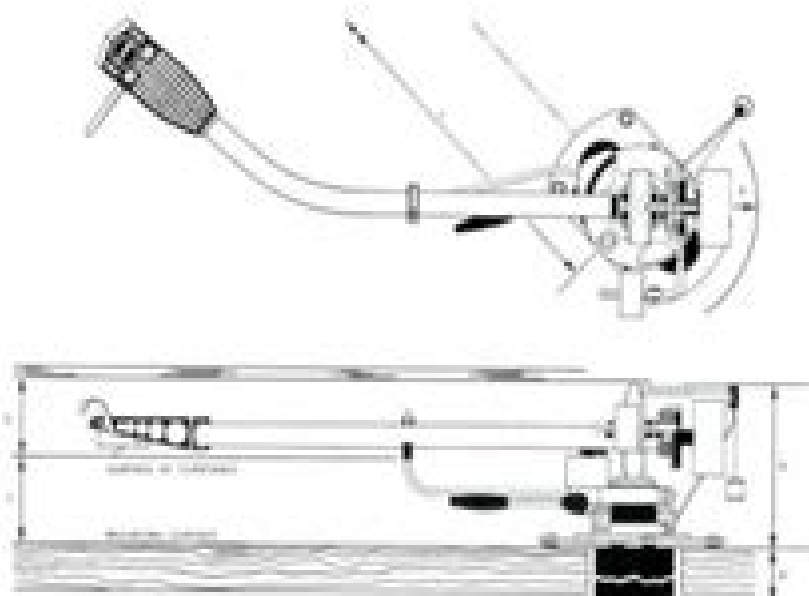
Note: When the turntable surface is more than 1/4" (6.3 mm) above the surface on which the arm is mounted, a special SME accessory PT-1 is required.

Depth required below mounting surface (D)	1-675	42.6
Clearance required to standard balance weights (W)	2-000	50.8
Clearance required between turntable surface and record (R)	1-700	44.1



Fluid damper FD 200

- Low friction pivots. Vertical axis: high-precision, fully protected ballraces. Horizontal axis: .005" radius knife-edges rolling in polished chrome seatings. Less than .02 gram applied at the stylus will deflect the arm.
- Low inertia. Fixed elements of the balance system are light. Movable elements are heavy and close to the fulcrum.
- Precise tracking force up to 1.5 grams applied without a tracking force gauge.
- Bias adjustable to correspond with tracking force.
- Base slides on bedplate for tracking adjustment with protractor.
- Fluid damped lowering and raising control.
- 4 R (1-22 M) audio lead. Phono plugs are standard (L-R). Alternative 5-pole DIN termination (L-R) available on request.



SME

Manufactured by
SME LIMITED · STEYNING · SUSSEX · BN4 3DY · ENGLAND · 01 323 690000 (LONG DISTANCE) · TELEFAX 01323 690000

PHONO SYSTEMS
**Canuck
Audio
Mart**

Sme Model 3009 Series Ii Improved Instruction Manual Nos

J Rink



Sme Model 3009 Series Ii Improved Instruction Manual Nos:

Popular Electronics ,1973 Stereophile ,1994 Hi-fi News & Record Review ,1980 **Gramophone** ,1993-06
High Fidelity ,1987 Contains Records in review **Audio** ,1981 **The Gramophone** ,1992 The Illustrated Weekly of India ,1965 High Fidelity News and Record Review ,2000 **Hi-fi News** ,2005 **High Fidelity & Audiocraft** ,1983 Contains Records in review **Audio Amateur** ,1992 *High Fidelity/Musical America* ,1980 **World Guide to Scientific Associations and Learned Societies** Helmut Opitz,2002 Previous editions are cited in Books for College Libraries 3rd ed This guide contains descriptions of about 17 500 associations and societies from the fields of science culture and technology Arrangement is alphabetically by name within an alphabetical listing of countries Indexing is by association names persons and subjects Each entry gives the association name where applicable extension to name abbreviation name in English former name contact information homepage year of foundation number of members names of officials details of periodical publications and whether or not a library and or archives exists New information includes details on aims and activities awards grants and events Distributed by Gale Annotation copyrighted by Book News Inc Portland OR *Wireless World* ,1960 **Scientific and Technical Aerospace Reports** ,1970 *Handbook of Buying Issue* ,1969 **Records and Recording** ,1969 A Supplement to the Oxford English Dictionary R. W. Burchfield,1972 These volumes replace the 1933 Supplement to the OED The vocabulary treated is that which came into use during the publication of the successive sections of the main Dictionary that is between 1884 when the first fascicle of the letter A was published and 1928 when the final section of the Dictionary appeared together with accessions to the English language in Britain and abroad from 1928 to the present day Nearly all the material in the 1933 Supplement has been retained here though in revised form Preface
Consumer Bulletin Annual ,1969

Whispering the Techniques of Language: An Psychological Quest through **Sme Model 3009 Series Ii Improved Instruction Manual Nos**

In a digitally-driven earth wherever monitors reign supreme and quick conversation drowns out the subtleties of language, the profound secrets and mental subtleties hidden within words frequently get unheard. Yet, nestled within the pages of **Sme Model 3009 Series Ii Improved Instruction Manual Nos** a charming fictional treasure pulsing with organic thoughts, lies a fantastic quest waiting to be undertaken. Penned by an experienced wordsmith, that wonderful opus encourages readers on an introspective trip, gently unraveling the veiled truths and profound affect resonating within the very material of each word. Within the mental depths with this emotional review, we will embark upon a genuine exploration of the book is primary themes, dissect their fascinating publishing type, and yield to the strong resonance it evokes strong within the recesses of readers hearts.

https://movement.livewellcolorado.org/results/browse/default.aspx/the_simple_solution_to_rubik_s_cube.pdf

Table of Contents Sme Model 3009 Series Ii Improved Instruction Manual Nos

1. Understanding the eBook Sme Model 3009 Series Ii Improved Instruction Manual Nos
 - The Rise of Digital Reading Sme Model 3009 Series Ii Improved Instruction Manual Nos
 - Advantages of eBooks Over Traditional Books
2. Identifying Sme Model 3009 Series Ii Improved Instruction Manual Nos
 - Exploring Different Genres
 - Considering Fiction vs. Non-Fiction
 - Determining Your Reading Goals
3. Choosing the Right eBook Platform
 - Popular eBook Platforms
 - Features to Look for in an Sme Model 3009 Series Ii Improved Instruction Manual Nos
 - User-Friendly Interface
4. Exploring eBook Recommendations from Sme Model 3009 Series Ii Improved Instruction Manual Nos

- Personalized Recommendations
 - Sme Model 3009 Series Ii Improved Instruction Manual Nos User Reviews and Ratings
 - Sme Model 3009 Series Ii Improved Instruction Manual Nos and Bestseller Lists
5. Accessing Sme Model 3009 Series Ii Improved Instruction Manual Nos Free and Paid eBooks
 - Sme Model 3009 Series Ii Improved Instruction Manual Nos Public Domain eBooks
 - Sme Model 3009 Series Ii Improved Instruction Manual Nos eBook Subscription Services
 - Sme Model 3009 Series Ii Improved Instruction Manual Nos Budget-Friendly Options
 6. Navigating Sme Model 3009 Series Ii Improved Instruction Manual Nos eBook Formats
 - ePub, PDF, MOBI, and More
 - Sme Model 3009 Series Ii Improved Instruction Manual Nos Compatibility with Devices
 - Sme Model 3009 Series Ii Improved Instruction Manual Nos Enhanced eBook Features
 7. Enhancing Your Reading Experience
 - Adjustable Fonts and Text Sizes of Sme Model 3009 Series Ii Improved Instruction Manual Nos
 - Highlighting and Note-Taking Sme Model 3009 Series Ii Improved Instruction Manual Nos
 - Interactive Elements Sme Model 3009 Series Ii Improved Instruction Manual Nos
 8. Staying Engaged with Sme Model 3009 Series Ii Improved Instruction Manual Nos
 - Joining Online Reading Communities
 - Participating in Virtual Book Clubs
 - Following Authors and Publishers Sme Model 3009 Series Ii Improved Instruction Manual Nos
 9. Balancing eBooks and Physical Books Sme Model 3009 Series Ii Improved Instruction Manual Nos
 - Benefits of a Digital Library
 - Creating a Diverse Reading Collection Sme Model 3009 Series Ii Improved Instruction Manual Nos
 10. Overcoming Reading Challenges
 - Dealing with Digital Eye Strain
 - Minimizing Distractions
 - Managing Screen Time
 11. Cultivating a Reading Routine Sme Model 3009 Series Ii Improved Instruction Manual Nos
 - Setting Reading Goals Sme Model 3009 Series Ii Improved Instruction Manual Nos
 - Carving Out Dedicated Reading Time
 12. Sourcing Reliable Information of Sme Model 3009 Series Ii Improved Instruction Manual Nos

- Fact-Checking eBook Content of Sme Model 3009 Series Ii Improved Instruction Manual Nos
 - Distinguishing Credible Sources
13. Promoting Lifelong Learning
- Utilizing eBooks for Skill Development
 - Exploring Educational eBooks
14. Embracing eBook Trends
- Integration of Multimedia Elements
 - Interactive and Gamified eBooks

Sme Model 3009 Series Ii Improved Instruction Manual Nos Introduction

In today's digital age, the availability of Sme Model 3009 Series Ii Improved Instruction Manual Nos books and manuals for download has revolutionized the way we access information. Gone are the days of physically flipping through pages and carrying heavy textbooks or manuals. With just a few clicks, we can now access a wealth of knowledge from the comfort of our own homes or on the go. This article will explore the advantages of Sme Model 3009 Series Ii Improved Instruction Manual Nos books and manuals for download, along with some popular platforms that offer these resources. One of the significant advantages of Sme Model 3009 Series Ii Improved Instruction Manual Nos books and manuals for download is the cost-saving aspect. Traditional books and manuals can be costly, especially if you need to purchase several of them for educational or professional purposes. By accessing Sme Model 3009 Series Ii Improved Instruction Manual Nos versions, you eliminate the need to spend money on physical copies. This not only saves you money but also reduces the environmental impact associated with book production and transportation. Furthermore, Sme Model 3009 Series Ii Improved Instruction Manual Nos books and manuals for download are incredibly convenient. With just a computer or smartphone and an internet connection, you can access a vast library of resources on any subject imaginable. Whether you're a student looking for textbooks, a professional seeking industry-specific manuals, or someone interested in self-improvement, these digital resources provide an efficient and accessible means of acquiring knowledge. Moreover, PDF books and manuals offer a range of benefits compared to other digital formats. PDF files are designed to retain their formatting regardless of the device used to open them. This ensures that the content appears exactly as intended by the author, with no loss of formatting or missing graphics. Additionally, PDF files can be easily annotated, bookmarked, and searched for specific terms, making them highly practical for studying or referencing. When it comes to accessing Sme Model 3009 Series Ii Improved Instruction Manual Nos books and manuals, several platforms offer an extensive collection of resources. One such platform is Project Gutenberg, a nonprofit organization that provides over 60,000 free eBooks. These books are primarily in the public domain, meaning

they can be freely distributed and downloaded. Project Gutenberg offers a wide range of classic literature, making it an excellent resource for literature enthusiasts. Another popular platform for Sme Model 3009 Series Ii Improved Instruction Manual Nos books and manuals is Open Library. Open Library is an initiative of the Internet Archive, a non-profit organization dedicated to digitizing cultural artifacts and making them accessible to the public. Open Library hosts millions of books, including both public domain works and contemporary titles. It also allows users to borrow digital copies of certain books for a limited period, similar to a library lending system. Additionally, many universities and educational institutions have their own digital libraries that provide free access to PDF books and manuals. These libraries often offer academic texts, research papers, and technical manuals, making them invaluable resources for students and researchers. Some notable examples include MIT OpenCourseWare, which offers free access to course materials from the Massachusetts Institute of Technology, and the Digital Public Library of America, which provides a vast collection of digitized books and historical documents. In conclusion, Sme Model 3009 Series Ii Improved Instruction Manual Nos books and manuals for download have transformed the way we access information. They provide a cost-effective and convenient means of acquiring knowledge, offering the ability to access a vast library of resources at our fingertips. With platforms like Project Gutenberg, Open Library, and various digital libraries offered by educational institutions, we have access to an ever-expanding collection of books and manuals. Whether for educational, professional, or personal purposes, these digital resources serve as valuable tools for continuous learning and self-improvement. So why not take advantage of the vast world of Sme Model 3009 Series Ii Improved Instruction Manual Nos books and manuals for download and embark on your journey of knowledge?

FAQs About Sme Model 3009 Series Ii Improved Instruction Manual Nos Books

What is a Sme Model 3009 Series Ii Improved Instruction Manual Nos PDF? A PDF (Portable Document Format) is a file format developed by Adobe that preserves the layout and formatting of a document, regardless of the software, hardware, or operating system used to view or print it. **How do I create a Sme Model 3009 Series Ii Improved**

Instruction Manual Nos PDF? There are several ways to create a PDF: Use software like Adobe Acrobat, Microsoft Word, or Google Docs, which often have built-in PDF creation tools. Print to PDF: Many applications and operating systems have a "Print to PDF" option that allows you to save a document as a PDF file instead of printing it on paper. Online converters:

There are various online tools that can convert different file types to PDF. **How do I edit a Sme Model 3009 Series Ii Improved Instruction Manual Nos PDF?** Editing a PDF can be done with software like Adobe Acrobat, which allows direct editing of text, images, and other elements within the PDF. Some free tools, like PDFescape or Smallpdf, also offer basic editing capabilities. **How do I convert a Sme Model 3009 Series Ii Improved Instruction Manual Nos PDF to another**

file format? There are multiple ways to convert a PDF to another format: Use online converters like Smallpdf, Zamzar, or Adobe Acrobats export feature to convert PDFs to formats like Word, Excel, JPEG, etc. Software like Adobe Acrobat, Microsoft Word, or other PDF editors may have options to export or save PDFs in different formats. **How do I password-protect a Sme Model 3009 Series Ii Improved Instruction Manual Nos PDF?** Most PDF editing software allows you to add password protection. In Adobe Acrobat, for instance, you can go to "File" -> "Properties" -> "Security" to set a password to restrict access or editing capabilities. Are there any free alternatives to Adobe Acrobat for working with PDFs? Yes, there are many free alternatives for working with PDFs, such as: LibreOffice: Offers PDF editing features. PDFsam: Allows splitting, merging, and editing PDFs. Foxit Reader: Provides basic PDF viewing and editing capabilities. How do I compress a PDF file? You can use online tools like Smallpdf, ILovePDF, or desktop software like Adobe Acrobat to compress PDF files without significant quality loss. Compression reduces the file size, making it easier to share and download. Can I fill out forms in a PDF file? Yes, most PDF viewers/editors like Adobe Acrobat, Preview (on Mac), or various online tools allow you to fill out forms in PDF files by selecting text fields and entering information. Are there any restrictions when working with PDFs? Some PDFs might have restrictions set by their creator, such as password protection, editing restrictions, or print restrictions. Breaking these restrictions might require specific software or tools, which may or may not be legal depending on the circumstances and local laws.

Find Sme Model 3009 Series Ii Improved Instruction Manual Nos :

the simple solution to rubik s cube

the soft edge where great companies find lasting success

the scooter diaries an adventure romance through latin america

the shameless hour the ivy years book english edition

the signature of all things

the state of working america

the syrian s story

the snow queen world best classic inbook 3

the shed mac salad recipe ms

the story of a round house and other poems

the scope of congressional powers chapter 11 answers

the starr warped trilogy english edition

the students mythology a compendium of greek

the strange case of dr m k jessup
the secret of the island illustrated

Sme Model 3009 Series Ii Improved Instruction Manual Nos :

Fifty Shades (novel series) Fifty Shades is a series of erotic novels by British author E. L. James, initially a trilogy consisting of Fifty Shades of Grey (2011), Fifty Shades Darker ... Fifty Shades (film series) Fifty Shades is a British-American film trilogy series based on the Fifty Shades trilogy by English author E. L. James. It is distributed by Universal ... Fifty Shades Trilogy (Fifty Shades of Grey ... This is a series of 3 books that should be read in order. Fifty shades of gray, fifty shades darker, and fifty shades free. This series is for adults 18 years ... Fifty Shades of Grey Series The original trilogy is told from Ana's point of view and consists of the books Fifty Shades of Grey, Fifty Shades Darker, and Fifty Shades ... Fifty Shades Movies In Order (How to Watch the Film Trilogy) The Fifty Shades trilogy is a British American film series based on English author E.L. James' trilogy of three sexual love dramas, "Fifty Shades of Grey." The ... Fifty Shades Series by E.L. James When literature student Anastasia Steele goes to interview young entrepreneur Christian Grey, she encounters a man who is beautiful, brilliant, and intim... Fifty Shades of Grey Erotic, amusing, and deeply moving, the Fifty Shades Trilogy is a tale that will obsess you, possess you, and stay with you forever. Merchandise. Shop ... Fifty Shades of Grey Series Relive the sensuality, the romance, and the drama of Fifty Shades Freed through the thoughts, reflections, and dreams of Christian Grey. Fifty Shades Trilogy 9780345804044 This boxed set includes the following novels: FIFTY SHADES OF GREY: When college student Anastasia Steele goes to interview young entrepreneur Christian Grey, ... Fifty Shades Of Grey: Book One of the ... Fifty Shades Of Grey: Book One of the Fifty Shades Trilogy (Fifty Shades of Grey Series, 1) [James, E L] on Amazon.com. *FREE* shipping on qualifying offers ... Losing Control? Sovereignty in an Age of Globalization Immigration Tests the New Order. Economic globalization denationalizes national economies; in contrast, immigration is renationalizing politics. There is a ... Immigration Tests New Order By Sassen: A Comparative ... The book targets a specialized audience with previous knowledge and particular interest in the topic of the migration crisis. It was published in 1995 by ... Immigration tests the new order sassen - resp.app Mar 25, 2023 — Yeah, reviewing a book immigration tests the new order sassen could be credited with your close associates listings. This is just one of the ... Reading free Immigration tests the new order sassen ... Aug 14, 2023 — Yeah, reviewing a books immigration tests the new order sassen could accumulate your near links listings. This is just one of the solutions ... The Repositioning of Citizenship by S Sassen · 2003 · Cited by 183 — issue is that of the historicity and the embeddedness of both categories, citizenship and the national state, rather than their purely formal features. The Repositioning of Citizenship: Emergent Subjects and ... by S Sassen · 2002 · Cited by 400 — SASSEN: REPOSITIONING OF CITIZENSHIP 1 1 ethnicity, religion, sex, sexual ... instance, prior to the new immigration law passed in

1996 who could prove ... saskia sassen The new immigration is further characterized by the immigrants' tendency to cluster in a few key U.S. regions. This was true as well of earlier immigration ... Losing Control?: Sovereignty in an Age of Globalization Sassen argues that a profound transformation is taking place, a partial denationalizing of national territory seen in such agreements as NAFTA and the European ... 2 The de facto Transnationalizing of Immigration Policy Discussions cover the operation of states under a new rule of law, the two cornerstones of immigration policy in developed countries — the border and individual ... Saskia Sassen by S Sassen · Cited by 159 — Next I briefly examine the question of immigrant remittances as one lens into the broader subject of the formation of alternative political economies and how ... Vocabulary for Achievement: Third Course - 9780669517576 Our resource for Vocabulary for Achievement: Third Course includes answers to chapter exercises, as well as detailed information to walk you through the process ... Vocabulary for Achievement Third Course Lesson 1-30 English Vocabulary Words Learn with flashcards, games, and more — for free. Vocabulary For Achievement 3rd Course | PDF | Languages Vocabulary for Achievement 3rd Course - Free ebook download as PDF File (.pdf) or read book online for free. Vocabulary for Achievement. Vocabulary For Achievement (Third Course) Lessons 1-16 Study Flashcards On Vocabulary for Achievement (Third Course) Lessons 1-16 at Cram.com. Quickly memorize the terms, phrases and much more. Vocabulary for Achievement Grade 9 Teacher's Edition The Vocabulary for Achievement series from Great Source is designed to help students develop the vocabulary skills and strategies they need to read, understand, ... Vocabulary for Achievement Grade 9 Student Book Third ... The Vocabulary for Achievement series from Great Source is designed to help students develop the vocabulary skills and strategies they need to read, understand, ... Vocabulary Achievement 3rd Course by Great Source Great Source Vocabulary for Achievement: Workbook, Grade 9, 3rd Course (Great Source Vocabulary for Achievement) by GREAT SOURCE and a great selection of ... Vocabulary for Achievement, 3rd Course, Grade 9: ... Vocabulary for Achievement, 3rd Course, Grade 9: Teacher's Edition. 4th Edition. ISBN-13: 978-0669517644, ISBN ... Vocabulary for Achievement: Third Course Get free shipping on Vocabulary for Achievement: Third Course Edition:1st ISBN13:9780669517576 from TextbookRush at a great price and get free shipping on ...