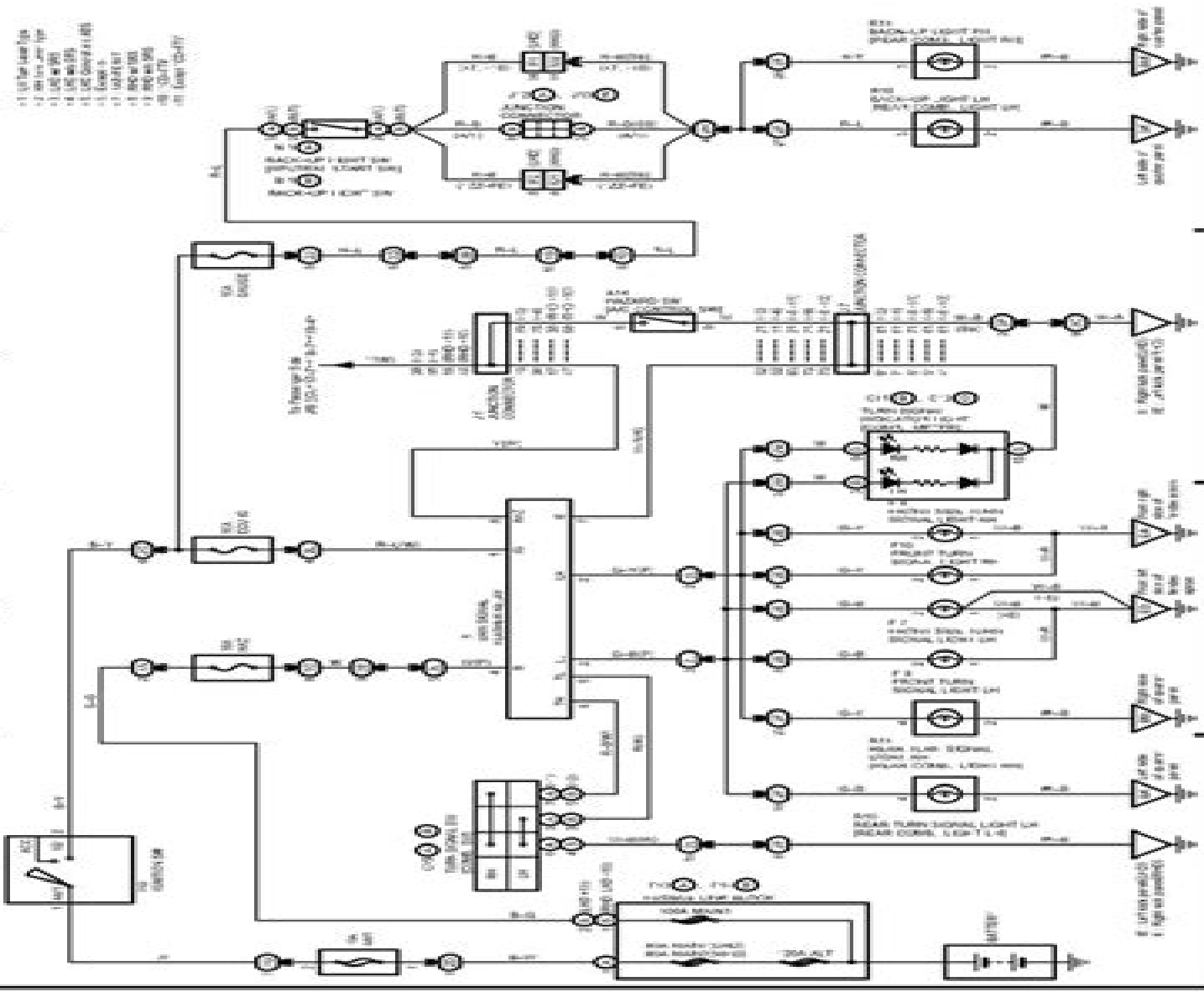


Power Source

Turn Signal and Hazard Warning Light

Backup Light



Wiring Diagram 2010 Rav 4 Trailer Harness

SB Merriam



Wiring Diagram 2010 Rav 4 Trailer Harness:

Yeah, reviewing a books **Wiring Diagram 2010 Rav 4 Trailer Harness** could add your close connections listings. This is just one of the solutions for you to be successful. As understood, feat does not recommend that you have astounding points.

Comprehending as skillfully as arrangement even more than additional will have the funds for each success. next to, the broadcast as capably as acuteness of this Wiring Diagram 2010 Rav 4 Trailer Harness can be taken as with ease as picked to act.

https://movement.livewellcolorado.org/files/uploaded-files/Download_PDFS/Solution_Manual_For_Holiday.pdf

Table of Contents Wiring Diagram 2010 Rav 4 Trailer Harness

1. Understanding the eBook Wiring Diagram 2010 Rav 4 Trailer Harness
 - The Rise of Digital Reading Wiring Diagram 2010 Rav 4 Trailer Harness
 - Advantages of eBooks Over Traditional Books
2. Identifying Wiring Diagram 2010 Rav 4 Trailer Harness
 - Exploring Different Genres
 - Considering Fiction vs. Non-Fiction
 - Determining Your Reading Goals
3. Choosing the Right eBook Platform
 - Popular eBook Platforms
 - Features to Look for in an Wiring Diagram 2010 Rav 4 Trailer Harness
 - User-Friendly Interface
4. Exploring eBook Recommendations from Wiring Diagram 2010 Rav 4 Trailer Harness
 - Personalized Recommendations
 - Wiring Diagram 2010 Rav 4 Trailer Harness User Reviews and Ratings
 - Wiring Diagram 2010 Rav 4 Trailer Harness and Bestseller Lists
5. Accessing Wiring Diagram 2010 Rav 4 Trailer Harness Free and Paid eBooks
 - Wiring Diagram 2010 Rav 4 Trailer Harness Public Domain eBooks

- Wiring Diagram 2010 Rav 4 Trailer Harness eBook Subscription Services
- Wiring Diagram 2010 Rav 4 Trailer Harness Budget-Friendly Options
- 6. Navigating Wiring Diagram 2010 Rav 4 Trailer Harness eBook Formats
 - ePub, PDF, MOBI, and More
 - Wiring Diagram 2010 Rav 4 Trailer Harness Compatibility with Devices
 - Wiring Diagram 2010 Rav 4 Trailer Harness Enhanced eBook Features
- 7. Enhancing Your Reading Experience
 - Adjustable Fonts and Text Sizes of Wiring Diagram 2010 Rav 4 Trailer Harness
 - Highlighting and Note-Taking Wiring Diagram 2010 Rav 4 Trailer Harness
 - Interactive Elements Wiring Diagram 2010 Rav 4 Trailer Harness
- 8. Staying Engaged with Wiring Diagram 2010 Rav 4 Trailer Harness
 - Joining Online Reading Communities
 - Participating in Virtual Book Clubs
 - Following Authors and Publishers Wiring Diagram 2010 Rav 4 Trailer Harness
- 9. Balancing eBooks and Physical Books Wiring Diagram 2010 Rav 4 Trailer Harness
 - Benefits of a Digital Library
 - Creating a Diverse Reading Collection Wiring Diagram 2010 Rav 4 Trailer Harness
- 10. Overcoming Reading Challenges
 - Dealing with Digital Eye Strain
 - Minimizing Distractions
 - Managing Screen Time
- 11. Cultivating a Reading Routine Wiring Diagram 2010 Rav 4 Trailer Harness
 - Setting Reading Goals Wiring Diagram 2010 Rav 4 Trailer Harness
 - Carving Out Dedicated Reading Time
- 12. Sourcing Reliable Information of Wiring Diagram 2010 Rav 4 Trailer Harness
 - Fact-Checking eBook Content of Wiring Diagram 2010 Rav 4 Trailer Harness
 - Distinguishing Credible Sources
- 13. Promoting Lifelong Learning
 - Utilizing eBooks for Skill Development
 - Exploring Educational eBooks

14. Embracing eBook Trends

- Integration of Multimedia Elements
- Interactive and Gamified eBooks

Wiring Diagram 2010 Rav 4 Trailer Harness Introduction

Wiring Diagram 2010 Rav 4 Trailer Harness Offers over 60,000 free eBooks, including many classics that are in the public domain. Open Library: Provides access to over 1 million free eBooks, including classic literature and contemporary works. Wiring Diagram 2010 Rav 4 Trailer Harness Offers a vast collection of books, some of which are available for free as PDF downloads, particularly older books in the public domain. Wiring Diagram 2010 Rav 4 Trailer Harness : This website hosts a vast collection of scientific articles, books, and textbooks. While it operates in a legal gray area due to copyright issues, its a popular resource for finding various publications. Internet Archive for Wiring Diagram 2010 Rav 4 Trailer Harness : Has an extensive collection of digital content, including books, articles, videos, and more. It has a massive library of free downloadable books. Free-eBooks Wiring Diagram 2010 Rav 4 Trailer Harness Offers a diverse range of free eBooks across various genres. Wiring Diagram 2010 Rav 4 Trailer Harness Focuses mainly on educational books, textbooks, and business books. It offers free PDF downloads for educational purposes. Wiring Diagram 2010 Rav 4 Trailer Harness Provides a large selection of free eBooks in different genres, which are available for download in various formats, including PDF. Finding specific Wiring Diagram 2010 Rav 4 Trailer Harness, especially related to Wiring Diagram 2010 Rav 4 Trailer Harness, might be challenging as theyre often artistic creations rather than practical blueprints. However, you can explore the following steps to search for or create your own Online Searches: Look for websites, forums, or blogs dedicated to Wiring Diagram 2010 Rav 4 Trailer Harness, Sometimes enthusiasts share their designs or concepts in PDF format. Books and Magazines Some Wiring Diagram 2010 Rav 4 Trailer Harness books or magazines might include. Look for these in online stores or libraries. Remember that while Wiring Diagram 2010 Rav 4 Trailer Harness, sharing copyrighted material without permission is not legal. Always ensure youre either creating your own or obtaining them from legitimate sources that allow sharing and downloading. Library Check if your local library offers eBook lending services. Many libraries have digital catalogs where you can borrow Wiring Diagram 2010 Rav 4 Trailer Harness eBooks for free, including popular titles. Online Retailers: Websites like Amazon, Google Books, or Apple Books often sell eBooks. Sometimes, authors or publishers offer promotions or free periods for certain books. Authors Website Occasionally, authors provide excerpts or short stories for free on their websites. While this might not be the Wiring Diagram 2010 Rav 4 Trailer Harness full book , it can give you a taste of the authors writing style. Subscription Services Platforms like Kindle Unlimited or Scribd offer subscription-based access to a wide range of Wiring Diagram 2010 Rav 4 Trailer Harness eBooks, including some popular titles.

FAQs About Wiring Diagram 2010 Rav 4 Trailer Harness Books

How do I know which eBook platform is the best for me? Finding the best eBook platform depends on your reading preferences and device compatibility. Research different platforms, read user reviews, and explore their features before making a choice. Are free eBooks of good quality? Yes, many reputable platforms offer high-quality free eBooks, including classics and public domain works. However, make sure to verify the source to ensure the eBook credibility. Can I read eBooks without an eReader? Absolutely! Most eBook platforms offer webbased readers or mobile apps that allow you to read eBooks on your computer, tablet, or smartphone. How do I avoid digital eye strain while reading eBooks? To prevent digital eye strain, take regular breaks, adjust the font size and background color, and ensure proper lighting while reading eBooks. What the advantage of interactive eBooks? Interactive eBooks incorporate multimedia elements, quizzes, and activities, enhancing the reader engagement and providing a more immersive learning experience. Wiring Diagram 2010 Rav 4 Trailer Harness is one of the best book in our library for free trial. We provide copy of Wiring Diagram 2010 Rav 4 Trailer Harness in digital format, so the resources that you find are reliable. There are also many Ebooks of related with Wiring Diagram 2010 Rav 4 Trailer Harness. Where to download Wiring Diagram 2010 Rav 4 Trailer Harness online for free? Are you looking for Wiring Diagram 2010 Rav 4 Trailer Harness PDF? This is definitely going to save you time and cash in something you should think about. If you trying to find then search around for online. Without a doubt there are numerous these available and many of them have the freedom. However without doubt you receive whatever you purchase. An alternate way to get ideas is always to check another Wiring Diagram 2010 Rav 4 Trailer Harness. This method for see exactly what may be included and adopt these ideas to your book. This site will almost certainly help you save time and effort, money and stress. If you are looking for free books then you really should consider finding to assist you try this. Several of Wiring Diagram 2010 Rav 4 Trailer Harness are for sale to free while some are payable. If you arent sure if the books you would like to download works with for usage along with your computer, it is possible to download free trials. The free guides make it easy for someone to free access online library for download books to your device. You can get free download on free trial for lots of books categories. Our library is the biggest of these that have literally hundreds of thousands of different products categories represented. You will also see that there are specific sites catered to different product types or categories, brands or niches related with Wiring Diagram 2010 Rav 4 Trailer Harness. So depending on what exactly you are searching, you will be able to choose e books to suit your own need. Need to access completely for Campbell Biology Seventh Edition book? Access Ebook without any digging. And by having access to our ebook online or by storing it on your computer, you have convenient answers with Wiring Diagram 2010 Rav 4 Trailer Harness To get started finding Wiring Diagram 2010 Rav 4 Trailer Harness, you are right to find our website which has a comprehensive collection of books online. Our library is the biggest of these that have literally hundreds of thousands of different products represented. You will also see that there are specific sites

catered to different categories or niches related with Wiring Diagram 2010 Rav 4 Trailer Harness So depending on what exactly you are searching, you will be able to choose ebook to suit your own need. Thank you for reading Wiring Diagram 2010 Rav 4 Trailer Harness. Maybe you have knowledge that, people have search numerous times for their favorite readings like this Wiring Diagram 2010 Rav 4 Trailer Harness, but end up in harmful downloads. Rather than reading a good book with a cup of coffee in the afternoon, instead they juggled with some harmful bugs inside their laptop. Wiring Diagram 2010 Rav 4 Trailer Harness is available in our book collection an online access to it is set as public so you can download it instantly. Our digital library spans in multiple locations, allowing you to get the most less latency time to download any of our books like this one. Merely said, Wiring Diagram 2010 Rav 4 Trailer Harness is universally compatible with any devices to read.

Find Wiring Diagram 2010 Rav 4 Trailer Harness :

~~solution manual for holiday~~

solution manual harris cmos vlsi design

solution manual engineering

solution manual heat transfer incropera 2nd edition

solution manual computer networks peterson 6th edition

solo 605 chainsaw service manual

~~solution manual accounting information systems 12th edition~~

solution manual for textbooks finance

solution manual for understandable statistics 9th edition

solution manual for excursions in modern mathematics

solution for the harvard project management simulation

solution manual for finait element method

solution manual for matrix analysis of structures

solution manual for short questions

solid mensuration reviewer by kern and bland

Wiring Diagram 2010 Rav 4 Trailer Harness :

schaum s outline of theory and problems of set theory and related topics - Jul 03 2022

web schaum s outline of theory and problems of set theory and related topics 5 reviews author seymour lipschutz print book english 1977 edition nachdr pr 11 7 view all formats and editions publisher mcgraw hill new york 1977 show more information location not available

solutions for schaum s outline of theory and problems of set theory - Jun 02 2022

web step by step video answers explanations by expert educators for all schaum s outline of theory and problems of set theory and related topics 2nd by seymour lipschutz only on numerade com

schaum s outline of set theory and related topics paperback - Oct 06 2022

web jul 22 1998 schaum s outline of set theory and related topics paperback july 22 1998 by seymour lipschutz author 4 5 70 ratings see all formats and editions paperback from 30 90 10 used from 30 90 18 new from 34 26 1 collectible from 84 21 confusing textbooks missed lectures not enough time fortunately for you there s schaum s

schaum s outline of theory and problems of set theory and related topics - Nov 07 2022

web dec 15 2009 schaum s outline of theory and problems of set theory and related topics by seymour lipschutz 1964 schaum edition in english

schaum s outline of set theory and related topics paperback - Dec 08 2022

web schaum s is the key to faster learning and higher grades in every subject each outline presents all the essential course information in an easy to follow topic by topic format you also get hundreds of examples solved problems and practice exercises to test your skills

schaum s outline of theory and problems of set theory and related topics - Mar 31 2022

web dec 5 2022 schaum s outline of theory and problems of set theory and related topics by seymour lipschutz 1998 mcgraw hill edition in english 2nd ed schaum s outline of theory and problems of set theory and related topics by seymour lipschutz

schaum s outline of theory and problems of set theory and related topics - Jan 09 2023

web schaum s outline of theory and problems of set theory and related topics seymour lipschutz mcgraw hill 1964 algebra boolean 233 pages

schaum s outline of theory and problems of set theory and related - Sep 17 2023

web jul 22 1998 buy schaum s outline of theory and problems of set theory and related topics schaum s outline series on amazon com free shipping on qualified orders

schaum s outline of theory and problems of set theory and related - Aug 16 2023

web schaum s outline of theory and problems of set theory and related topics lipschutz seymour free download borrow and streaming internet archive schaum s outline of theory and problems of set theory and related topics by lipschutz seymour

schaum s outline of set theory and related topics open library - Sep 05 2022

web aug 12 2010 imported from amazon com record *schaum s outline of set theory and related topics* by seymour lipschutz june 1 1967 mcgraw hill edition paperback in english 1 edition

schaum s outline of set theory and related topics - Mar 11 2023

web *schaum s outline of set theory and related topics* seymour lipschutz google books master set theory with *schaum s the high performance study guide* it will help you cut study time

schaum s outline of set theory and related topics - Feb 10 2023

web confusing textbooks missed lectures not enough time fortunately for you there s *schaum s outlines* more than 40 million students have trusted *schaum s* to help them succeed in the classroom and on exams *schaum s* is the key to faster learning and high

schaum s outline of theory and problems of set theory and related topics - May 01 2022

web feb 6 2019 *schaum s outline of theory and problems of set theory and related topics* by seymour lipschutz 0 ratings 0 want to read 0 currently reading 0 have read this edition doesn t have a description yet can you add one publish date 1964 publisher mcgraw hill pages 233 subjects set theory showing 1 featured edition view all 1

schaum s outline of set theory and related topics - Apr 12 2023

web jul 1 1998 *schaum s* is the key to faster learning and higher grades in every subject each outline presents all the essential course information in an easy to follow topic by topic format you also get hundreds of examples solved problems and practice exercises to

schaum s outline of set theory and related topics - Jul 15 2023

web master set theory with *schaum s the high performance study guide* it will help you cut study time hone problem solving skills and achieve your personal best on exams students love *schaum s outlines* because they produce results

schaum s outline of set theory and related topics amazon - Jun 14 2023

web *schaum s outline of set theory and related topics* second edition *schaum s outlines* na amazon sg books

schaum s outline set theory pdf scribd - Aug 04 2022

web *schaum s outline set theory* free ebook download as pdf file pdf or read book online for free

schaum s outline of set theory and related topics goodreads - May 13 2023

web more than 40 million students have trusted *schaum s* to help them succeed in the classroom and on exams *schaum s* is the key to faster learning and higher grades in every subject each outline presents all the essential course information in an easy to follow topic by topic format

schaum s outline of theory and problems of set theory and related topics - Oct 18 2023

web publisher s summary if you want top grades and thorough understanding of set theory and related topics this powerful study tool is the best tutor you can have it takes you step by step through the subject and gives you 530 accompanying related problems with fully worked solutions

jab announces cut off points for kcse 2011 dailyblog - Jan 11 2023

web jab the country s body charged with allocation of courses to students in public universities has announced the cut off points for the kcse 2011 candidates the joint admission

kcse jab cut off points 2013 pdf pdf pakhisharma - Mar 01 2022

web book aptly titled kcse jab cut off points 2013 pdf compiled by a highly acclaimed author immerses readers in a captivating exploration of the significance of language and its

kcse jab cut off points 2013 pdf uniport edu - Sep 19 2023

web sep 28 2023 the kcse jab cut off points 2013 is universally compatible like any devices to read

kcse jab cut off points 2013 tug do nlnetlabs nl - Oct 28 2021

web aug 15 2023 kcse jab cut off points 2013 kuccps kenya universities and colleges central placement kenya wikipedia progreen plus knoxville tn lawn mower parts

kcse cut off points for 2012 candidates - Jan 31 2022

web kcse jab cut off points 2013 harvardwineandgrille com this is the number of candidates who have met university jab announces the dates for revision of courses for kcse

kcse jab cut off points 2013 pdf uniport edu - Jul 17 2023

web jun 8 2023 install the kcse jab cut off points 2013 it is no question easy then back currently we extend the link to purchase and make bargains to download and install kcse

joint admissions board jab kcse admissions - Apr 14 2023

web cluster points the board usually meets after the release of k c s e to determine the cut off points to join public universities at the beginning the cut off point was c which

kcse cut off points 2023 knec kenyadmission - Apr 02 2022

web admissions to public universities this year will hit an all time high kuccps has lowered the qualifying mark for this year s freshmen to b of 60 points for male candidates and b of

ebook kcse jab cut off points 2013 - Jun 04 2022

web kcse jab cut off points 2013 california court of appeal 4th appellate district division 2 records and briefs dec 09 2020 higher education meritocracy and inequality in

kcse jab cut off points 2013 copy uniport edu - Aug 06 2022

web apr 14 2023 kcse jab cut off points 2013 but stop in the works in harmful downloads rather than enjoying a fine book later than a mug of coffee in the afternoon instead they

kcse jab cut off points 2013 new abbotsfordfoodbank com - Mar 13 2023

web 2 kcse jab cut off points 2013 2022 02 04 kcse jab cut off points 2013 downloaded from new abbotsfordfoodbank com by guest mckee michael influence of parental

kcse jab cut off points 2013 neurocme med ucla edu - Nov 28 2021

web merely said the kcse jab cut off points 2013 is universally compatible when any devices to read kcse jab cut off points 2013 downloaded from neurocme med ucla edu

kcse jab cut off points 2013 pdf copy pod kylemcdonald - Jul 05 2022

web kcse jab cut off points 2013 pdf introduction kcse jab cut off points 2013 pdf copy see to play michael a peters 2012 only the best eyes make it superhuman

kcse jab cut off points 2013 pdf streamerandardmedia - Dec 30 2021

web right here we have countless books kcse jab cut off points 2013 pdf and collections to check out we additionally provide variant types and as a consequence type of the books

kcse jab cut off points 2013 hrm accuradio - May 03 2022

web kcse jab cut off points 2013 downloaded from hrm accuradio com by guest zanderbond the second

kcse jab cut off points 2013 download only domainlookup org - Aug 18 2023

web mar 27 2023 this online notice kcse jab cut off points 2013 can be one of the options to accompany you in imitation of having extra time it will not waste your time

new university cut off points admission rules released - Jun 16 2023

web according to an advertisement in the local dailies the cut off point for admission to degree programmes is a grade b of 60 points for male candidates and grade b of 58 points for

jab lowers cut off points for kcse students advance africa - May 15 2023

web the joint admission board jab has released new cut off points for joining university for students who sat for the kcse the board usually meets after the release of k c s e to

kcse jab cut off points 2013 pdf blueskywildlife - Nov 09 2022

web sep 13 2023 kcse jab cut off points 2013 pdf is available in our digital library an online access to it is set as public so you can get it instantly our books collection spans in

kcse jab cut off points 2013 pdf 2023 - Oct 08 2022

web kcse jab cut off points 2013 pdf recognizing the way ways to acquire this books kcse jab cut off points 2013 pdf is

additionally useful you have remained in right site to

[kcse jab cut off points 2013 pdf download only](#) - Feb 12 2023

web jun 16 2023 kcse jab cut off points 2013 pdf glen holmes pdf web this kcse jab cut off points 2013 pdf but end up in malicious downloads rather than reading a good book with

kcse jab cut off points 2013 orientation sutd edu sg - Dec 10 2022

web kcse jab cut off points 2013 author reinhard schmeichel from orientation sutd edu sg subject kcse jab cut off points 2013 keywords

kcse jab cut off points 2013 videos bookbrush com - Sep 07 2022

web kcse jab cut off points 2013 downloaded from videos bookbrush com by guest devan alessandra borderless higher education for refugees brill research paper

[electronics and telecom preparation books combo mock test](#) - Sep 22 2021

web get electronics and telecom preparation books combo mock test series by nirali prakashan kopykitab offers best electronics and telecom sample question papers

nirali prakashan pharmaceuticals i paperback amazon in - Mar 29 2022

web amazon minitv sell best sellers mobiles today s deals customer service electronics new releases prime home kitchen amazon pay computers fashion beauty

nirali prakashan books study materials kopykitab - Jul 01 2022

web buy nirali prakashan books study materials pdf online 2023 get the latest nirali prakashan ebooks other study materials pdf with instant activation to read it

electronics and telecom books by nirali prakashan textbook - Aug 14 2023

web get electronics and telecom books by nirali prakashan kopykitab offers best electronics and telecom textbook which will help in your preparation and get top

digital electronics and logic design for 2024 exam nirali - Oct 04 2022

web digital electronics logic design for the students of second year degree course in computer engineering this book is strict as per the new r

engineering mathematics 2 nirali prakashan - Jan 27 2022

web engineering mathematics 2 nirali prakashan 3 3 i book by nirali prakashan pdf may not make exciting reading but engineering mathematics i book by nirali prakashan is

electronics devices circuits nirali prakashan shopmarg - Jan 07 2023

web electronics devices circuits nirali prakashan 2020 i am very glad to present this online reference book on electronics

devices circuits for the students of second

[buy analog digital electronics book by nirali prakashan cart91](#) - Nov 24 2021

web buy book analog digital electronics analog digital electronics bachelor in engineering electrical second year by s s kulkarni nirali prakashan at low prices

[electronics books by nirali prakashan textbook in english](#) - Jul 13 2023

web get electronics books by nirali prakashan in english kopykitab offers best electronics textbook which will help in your preparation and get top score in exams

[nirali publication books pdf free download examtrix com](#) - May 11 2023

web jul 8 2023 this article contains nirali publication books pdf free download for upcoming std ii to postgraduate level exams in addition nirali prakashan is a publishing

[download communication electronics textbook pdf online](#) - Oct 24 2021

web buy communication electronics textbook pdf online 2020 by prof dr p b buchade prof dr m l dongare dr j a bangali s r chaudhari from nirali

[buy nirali prakashan s books online best deals](#) - Dec 06 2022

web new 15 basic mathematics fe diploma sem i msbte k scheme vitthal b shinde vinayak k nirmale sachin b yede technical publishers 450 00

[engineering mathematics 2 nirali prakashan pdf ams istanbul edu](#) - Apr 29 2022

web analysis part 1 nirali prakashan this book is based on a course graph theory we write this book as per the revised syllabus of f y b sc computer science mathematics

[buy electronic product design book by nirali prakashan online at](#) - Dec 26 2021

web buy book electronic product design electronics bachelor in engineering electronics telecommunication third year by v s deshpande s jadhav r h jagadale nirali

[fe engineering pune university mathematics 1 nirali prakashan](#) - May 31 2022

web 1 nirali prakashan downloaded from ams istanbul edu tr by guest mohammed giovanna basic electronics nirali prakashan divided into four parts circuits

[power electronics kopykitab](#) - Aug 02 2022

web nirali prakashan 119 budhwar peth jogeshwari mandir lane pune 411002 maharashtra tel 020 2445 2044 66022708 fax 020 2445 1538 email

[buy basic electronics book by nirali prakashan online at low price](#) - Nov 05 2022

web buy book basic electronics basic electronics engineering electrical second year by vijay g yangalwar k p akole nirali

prakashan at low prices

engineering mechanics nirali prakashan - Feb 25 2022

web deo nirali prakashan at low prices buy book engineering mechanics mechanics engineering chemical first year by sunil s deo nirali prakashan at low prices toggle

basic electronics engineering nirali prakashan shopmarg - Jun 12 2023

web product description basic electronics engineering nirali prakashan 2020 we are glad and excited to announce that the second edition of this book received an overwhelming

download basic electronics pdf online 2020 by vijay g - Sep 03 2022

web buy basic electronics pdf online download free sample pdf basic electronics by vijay g yangalwar k p akole from nirali prakashan and get upto 34 off on

electronics and electricals preparation books combo mock - Apr 10 2023

web get electronics and electricals preparation books combo mock test series by nirali prakashan kopykitab offers best electronics and electricals sample question

nirali prakashan academic publisher - Mar 09 2023

web textbooks guides and reference books we cater to the student community and publish syllabus oriented textbooks and reference books specially curated by academicians

i 2nd year extc tele nirali prakashan scribd - Feb 08 2023

web electronic devices and circuits i 2nd year extc tele nirali prakashan free ebook download as pdf file pdf text file txt or read book online for free nirali