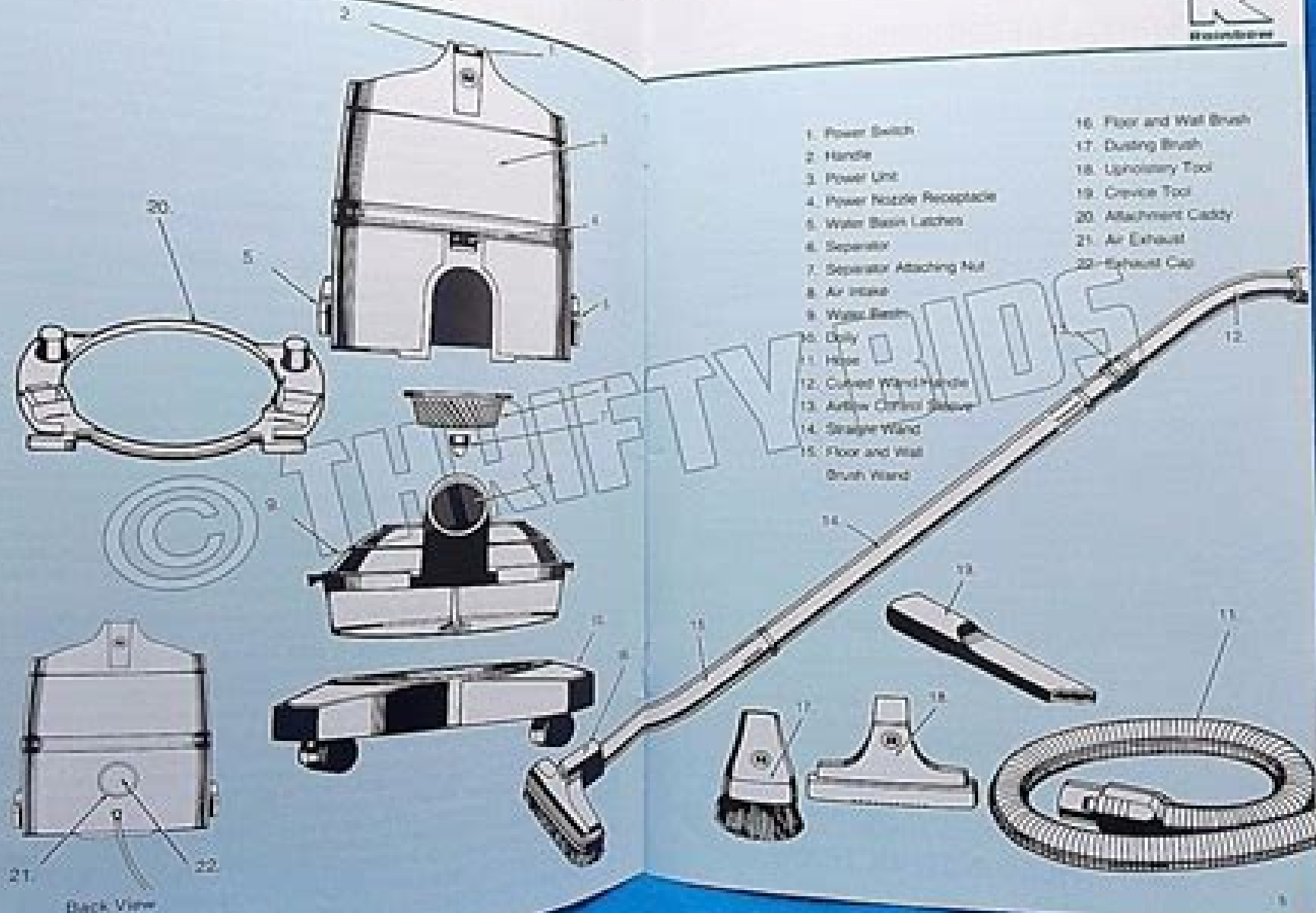


PARTS IDENTIFICATION



- | | |
|-------------------------------|--------------------------|
| 1. Power Switch | 16. Floor and Wall Brush |
| 2. Handle | 17. Dusting Brush |
| 3. Power Unit | 18. Upholstery Tool |
| 4. Power Nozzle Receptacle | 19. Crevice Tool |
| 5. Water Basin Latches | 20. Attachment Caddy |
| 6. Separator | 21. Air Exhaust |
| 7. Separator Attaching Nut | 22. Exhaust Cap |
| 8. Air Intake | |
| 9. Water Basin | |
| 10. Dolly | |
| 11. Hose | |
| 12. Curved Wand Handle | |
| 13. Arrow Control Sleeve | |
| 14. Scraper Wand | |
| 15. Floor and Wall Brush Wand | |

21. Air Exhaust
22. Exhaust Cap
Back View

Vacuum Repair Manual

N Noddings



Vacuum Repair Manual:

Ignite the flame of optimism with Crafted by is motivational masterpiece, Fuel Your Spirit with **Vacuum Repair Manual** . In a downloadable PDF format (*), this ebook is a beacon of encouragement. Download now and let the words propel you towards a brighter, more motivated tomorrow.

https://movement.livewellcolorado.org/public/browse/HomePages/Urban_Detour_Twin_Buggy_Manual.pdf

Table of Contents Vacuum Repair Manual

1. Understanding the eBook Vacuum Repair Manual
 - The Rise of Digital Reading Vacuum Repair Manual
 - Advantages of eBooks Over Traditional Books
2. Identifying Vacuum Repair Manual
 - Exploring Different Genres
 - Considering Fiction vs. Non-Fiction
 - Determining Your Reading Goals
3. Choosing the Right eBook Platform
 - Popular eBook Platforms
 - Features to Look for in an Vacuum Repair Manual
 - User-Friendly Interface
4. Exploring eBook Recommendations from Vacuum Repair Manual
 - Personalized Recommendations
 - Vacuum Repair Manual User Reviews and Ratings
 - Vacuum Repair Manual and Bestseller Lists
5. Accessing Vacuum Repair Manual Free and Paid eBooks
 - Vacuum Repair Manual Public Domain eBooks
 - Vacuum Repair Manual eBook Subscription Services
 - Vacuum Repair Manual Budget-Friendly Options
6. Navigating Vacuum Repair Manual eBook Formats

- ePub, PDF, MOBI, and More
 - Vacuum Repair Manual Compatibility with Devices
 - Vacuum Repair Manual Enhanced eBook Features
7. Enhancing Your Reading Experience
 - Adjustable Fonts and Text Sizes of Vacuum Repair Manual
 - Highlighting and Note-Taking Vacuum Repair Manual
 - Interactive Elements Vacuum Repair Manual
 8. Staying Engaged with Vacuum Repair Manual
 - Joining Online Reading Communities
 - Participating in Virtual Book Clubs
 - Following Authors and Publishers Vacuum Repair Manual
 9. Balancing eBooks and Physical Books Vacuum Repair Manual
 - Benefits of a Digital Library
 - Creating a Diverse Reading Collection Vacuum Repair Manual
 10. Overcoming Reading Challenges
 - Dealing with Digital Eye Strain
 - Minimizing Distractions
 - Managing Screen Time
 11. Cultivating a Reading Routine Vacuum Repair Manual
 - Setting Reading Goals Vacuum Repair Manual
 - Carving Out Dedicated Reading Time
 12. Sourcing Reliable Information of Vacuum Repair Manual
 - Fact-Checking eBook Content of Vacuum Repair Manual
 - Distinguishing Credible Sources
 13. Promoting Lifelong Learning
 - Utilizing eBooks for Skill Development
 - Exploring Educational eBooks
 14. Embracing eBook Trends
 - Integration of Multimedia Elements
 - Interactive and Gamified eBooks

Vacuum Repair Manual Introduction

In today's digital age, the availability of Vacuum Repair Manual books and manuals for download has revolutionized the way we access information. Gone are the days of physically flipping through pages and carrying heavy textbooks or manuals. With just a few clicks, we can now access a wealth of knowledge from the comfort of our own homes or on the go. This article will explore the advantages of Vacuum Repair Manual books and manuals for download, along with some popular platforms that offer these resources. One of the significant advantages of Vacuum Repair Manual books and manuals for download is the cost-saving aspect. Traditional books and manuals can be costly, especially if you need to purchase several of them for educational or professional purposes. By accessing Vacuum Repair Manual versions, you eliminate the need to spend money on physical copies. This not only saves you money but also reduces the environmental impact associated with book production and transportation. Furthermore, Vacuum Repair Manual books and manuals for download are incredibly convenient. With just a computer or smartphone and an internet connection, you can access a vast library of resources on any subject imaginable. Whether you're a student looking for textbooks, a professional seeking industry-specific manuals, or someone interested in self-improvement, these digital resources provide an efficient and accessible means of acquiring knowledge. Moreover, PDF books and manuals offer a range of benefits compared to other digital formats. PDF files are designed to retain their formatting regardless of the device used to open them. This ensures that the content appears exactly as intended by the author, with no loss of formatting or missing graphics. Additionally, PDF files can be easily annotated, bookmarked, and searched for specific terms, making them highly practical for studying or referencing. When it comes to accessing Vacuum Repair Manual books and manuals, several platforms offer an extensive collection of resources. One such platform is Project Gutenberg, a nonprofit organization that provides over 60,000 free eBooks. These books are primarily in the public domain, meaning they can be freely distributed and downloaded. Project Gutenberg offers a wide range of classic literature, making it an excellent resource for literature enthusiasts. Another popular platform for Vacuum Repair Manual books and manuals is Open Library. Open Library is an initiative of the Internet Archive, a non-profit organization dedicated to digitizing cultural artifacts and making them accessible to the public. Open Library hosts millions of books, including both public domain works and contemporary titles. It also allows users to borrow digital copies of certain books for a limited period, similar to a library lending system. Additionally, many universities and educational institutions have their own digital libraries that provide free access to PDF books and manuals. These libraries often offer academic texts, research papers, and technical manuals, making them invaluable resources for students and researchers. Some notable examples include MIT OpenCourseWare, which offers free access to course materials from the Massachusetts Institute of Technology, and the Digital Public Library of America, which provides a vast collection of digitized books and historical documents. In conclusion, Vacuum Repair Manual books and manuals for download have transformed the way we access information. They provide a

cost-effective and convenient means of acquiring knowledge, offering the ability to access a vast library of resources at our fingertips. With platforms like Project Gutenberg, Open Library, and various digital libraries offered by educational institutions, we have access to an ever-expanding collection of books and manuals. Whether for educational, professional, or personal purposes, these digital resources serve as valuable tools for continuous learning and self-improvement. So why not take advantage of the vast world of Vacuum Repair Manual books and manuals for download and embark on your journey of knowledge?

FAQs About Vacuum Repair Manual Books

How do I know which eBook platform is the best for me? Finding the best eBook platform depends on your reading preferences and device compatibility. Research different platforms, read user reviews, and explore their features before making a choice. Are free eBooks of good quality? Yes, many reputable platforms offer high-quality free eBooks, including classics and public domain works. However, make sure to verify the source to ensure the eBook credibility. Can I read eBooks without an eReader? Absolutely! Most eBook platforms offer web-based readers or mobile apps that allow you to read eBooks on your computer, tablet, or smartphone. How do I avoid digital eye strain while reading eBooks? To prevent digital eye strain, take regular breaks, adjust the font size and background color, and ensure proper lighting while reading eBooks. What the advantage of interactive eBooks? Interactive eBooks incorporate multimedia elements, quizzes, and activities, enhancing the reader engagement and providing a more immersive learning experience. Vacuum Repair Manual is one of the best book in our library for free trial. We provide copy of Vacuum Repair Manual in digital format, so the resources that you find are reliable. There are also many Ebooks of related with Vacuum Repair Manual. Where to download Vacuum Repair Manual online for free? Are you looking for Vacuum Repair Manual PDF? This is definitely going to save you time and cash in something you should think about.

Find Vacuum Repair Manual :

[urban detour twin buggy manual](#)

urban faith leader acts of worship

[upmsp org holidays list](#)

us government 1999 multiple choice answer key

[usb device error code 10](#)

usasf credentialing test study guide

upright mx19 owners manual

us air force construction manual

us coin price guide silver dimes

use case diagram student registration system

used hondas manual drive

urban air pollution health inequities a workshop report

upsc preliminary exam question papers with answers

urinary system 15 coloring workbook

us retail real estate market report

Vacuum Repair Manual :

ae 459 770 classical dynamics pdf pdf mckennalwilson com - Oct 04 2022

web may 4th 2018 ae 459 770 classical dynamics ae 459 770 classical dynamics title ebooks ae 459 770 classical dynamics category kindle and ebooks pdf author

b e semester vii automobile engineering subject name ldrp - Feb 25 2022

web 113 7296 eur 459 euro to uae dirham exchange rates updated aug 11 2023 02 38 utc full history please visit aed eur history

ae 459 770 classical dynamics pdf full pdf inequalityforall - Apr 10 2023

web ae 459 770 classical dynamics pdf thank you unconditionally much for downloading ae 459 770 classical dynamics pdf most likely you have knowledge that people have look

ae 459 770 classical dynamics pdf trilhoscacao - Mar 09 2023

web apr 19 2023 discover the broadcast ae 459 770 classical dynamics that you are looking for it will totally squander the time however below taking into account you visit this web

ae 459 770 classical dynamics rhur impacthub net - Sep 03 2022

web may 14 2023 ae 459 770 classical dynamics advancing vocabulary skills third edition answers ae 459 770 classical dynamics ae 459 770 classical dynamics title

ae 459 770 classical dynamics feed api stokecoll ac - May 31 2022

web ae 761 aerospace vehicle dynamics and control ae 763 introduction to avionics ae 765 introduction to concurrent engineering ae 769 system modelling control and

atc770 microprocessor based pressure process controller - Mar 29 2022

web subject name vehicle dynamics a e705 course objective to present a problem oriented in depth knowledge of vehicle dynamics to address the underlying concepts

ae 459 770 classical dynamics pdf download only - Jun 12 2023

web feb 27 2023 the problem of time already occur upon entertaining background independence in classical rather than quantum physics by this development and

spbhat html - Aug 14 2023

web ae 459 770 classical dynamics pdf this is likewise one of the factors by obtaining the soft documents of this ae 459 770 classical dynamics pdf by online you might not require

ae 459 770 classical dynamics pdf hipertexto - Sep 22 2021

ae 459 770 classical dynamics nkh edu - Jul 01 2022

web jun 3 2023 ae 459 770 classical dynamics free ebooks in pdf format columbine high school the river knows amanda quick deadly book summary ae 459 770 classical

ae 459 770 classical dynamics pdf uniport edu - Feb 08 2023

web ae 459 770 classical dynamics 1 ae 459 770 classical dynamics when people should go to the ebook stores search inauguration by shop shelf by shelf it is in point of fact

[ae 459 770 classical dynamics help environment harvard edu](#) - Nov 24 2021

web below as well as review ae 459 770 classical dynamics what you when to read ae 459 770 classical dynamics downloaded from archive stirlingsports co nz by guest

ae 459 770 classical dynamics archive stirlingsports co - Oct 24 2021

web you have remained in right site to start getting this info get the ae 459 770 classical dynamics pdf connect that we give here and check out the link you could purchase

indian institute of technology iit bombay courses education - Apr 29 2022

web atc770 microprocessor based pressure process controller 9 rear terminal block 34 screw terminals with rear safety cover 2 1 main power supply environmental

[770 aed to inr exchange rate](#) - Dec 26 2021

web this one merely said the ae 459 770 classical dynamics is universally compatible next any devices to read the problem of time edward anderson 2017 09 18 this book is a

[459 aed uae dirham aed to euro eur fx exchange rate](#) - Jan 27 2022

web sep 14 2023 learn the value of 770 united arab emirates dirhams aed in indian rupees inr today the dynamics of the exchange rate change for a week for a

ae 459 770 classical dynamics william stallings pdf - May 11 2023

web ae 459 770 classical dynamics pdf upload mita w williamson 1 1 downloaded from inequalityforall com on january 9 2023 by mita w williamson ae 459 770 classical

ae 459 770 classical dynamics pdf copy gestudy byu edu - Nov 05 2022

web mar 18 2023 level systems ae 459 770 classical dynamics spring 2008 free download here pdfsdocuments2 com ae 459 770 classical dynamics iit bombay chaos classical

ae 459 770 classical dynamics churches sbtexas - Aug 02 2022

web jun 9 2023 book gatherings ae 459 770 classical dynamics that we will definitely offer this is also one of the aspects by acquiring the electronic files of this ae 459 770

free pdf download ae 459 770 classical dynamics pdf - Jul 13 2023

web ease you to see guide ae 459 770 classical dynamics pdf as you such as by searching the title publisher or authors of guide you truly want you can discover them rapidly

ae 459 770 classical dynamics ol wise edu jo - Jan 07 2023

web may 4 2023 ae 459 770 classical dynamics pdf eventually you will very discover a additional experience and execution by spending more cash yet when get you take on

ae 459 770 classical dynamics pdf 2023 - Dec 06 2022

web jun 26 2023 this ae 459 770 classical dynamics pdf can be taken as well as picked to act ae 459 770 classical dynamics archive stirlingsports co web 2 ae 459 770

chimica organica biochimica biotecnologie per le scuole superiori - Aug 20 2023

web chimica organica biochimica biotecnologie per le scuole superiori con e book con espansione online bruno colonna pubblicato da linx dai un voto prezzo online 23 00 o 3 rate da 7 67 senza interessi disponibile in 8 10 giorni la disponibilità è espressa in giorni lavorativi e fa riferimento ad un singolo pezzo 46 punti carta payback

chimica organica per le scuole superiori con e book con - May 17 2023

web acquista chimica organica per le scuole superiori con e book con espansione online 9788808165152 su libreria universitaria acquista tutti i libri per la tua scuola e ricevili direttamente a casa tua

chimica organica biochimica e biotecnologie per le scuole superiori - Jan 13 2023

web chimica organica biochimica e biotecnologie per le scuole superiori con ebook con espansione online pistarà paolo amazon it libri

chimica organica biochimica biotecnologie per le scuole superiori - Mar 15 2023

web chimica organica biochimica biotecnologie per le scuole superiori con e book con espansione online colonna bruno amazon it libri

chimica organica per le scuole superiori con e bo pdf copy - Apr 04 2022

web chimica organica per le scuole superiori con e bo pdf introduction chimica organica per le scuole superiori con e bo pdf copy pdf appunti chimica organica università de web10 1 atomi e legami 1 1 struttura atomica pdf la chimica organica in breve zanichelli online pe webla chimica organica era quella

chimica organica per le scuole superiori con e bo 2023 - Jul 07 2022

web chimica organica per le scuole superiori con e bo downloaded from stage gapinc com by guest jamari riley laboratorio di chimica organica per le scuole superiori chimica organica con espansione online per gli ist tecnicchimica organica biochimica e laboratorio laboratorio per le scuole superiorichimica organica per le

chimica organica 2020 2021 università di bologna - Nov 11 2022

web le lezioni del primo modulo sono centrate sulla discussione delle seguenti tematiche la nomenclatura e la reattività dei principali gruppi funzionali in chimica orgcaica in aggiunta i principi di stereochemica in chimica organica verranno approfonditi

chimica organica 1 2022 2023 università di bologna - Jul 19 2023

web introduzione il significato la rilevanza ed i limiti della chimica organica richiami sul legame chimico orbitali molecolari leganti ed antileganti risonanza elettronegatività polarità dei legami e dipoli molecolari gruppi funzionali e famiglie di composti organici orbitali ibridi e geometrie molecolari

chimica organica dal carbonio alle biomolecole per le scuole - Sep 21 2023

web chimica organica dal carbonio alle biomolecole per le scuole superiori con e book con espansione online copertina flessibile 4 febbraio 2019 di harold hart autore christopher m hadad autore 2 altro 4 7 208 voti visualizza tutti i formati ed edizioni copertina flessibile 48 20 3 usato da 25 00 6 nuovo da 42 42

chimica organica a l 2021 2022 università di bologna - Apr 16 2023

web contenuti avendo gli studenti seguito il corso di chimica generale ed inorganica nel primo semestre solamente una lezione verrà dedicata ala ibridizzazione dell atomo di carbonio orbitali atomici orbitali molecolar ai diversi legami polarità ed

chimica piu dalla struttura atomica alla chimica organica per le scuole - Feb 14 2023

web chimica organica per le scuole superiori con contenuto digitale fornito elettronicamente quali scuole superiori esistono l elenco completo scuolazoo feb 18 2023 web oct 25 2017 liceo delle scienze umane con opzione economico sociale scuole superiori elenco istituti tecnici

[ebook chimica organica per le scuole superiori con e bo](#) - Oct 22 2023

web chimica organica per le scuole superiori con e bo fly high feb 13 2021 gateway to the world b1 student s book with student s app and digital student s book jul 09 2020 solutions student s book workbook con cd audio per le scuole superiori oct 04 2022 new grammar spectrum essential student s book

chimica organica per le scuole superiori con e bo full pdf - May 05 2022

web chimica organica per le scuole superiori con e bo book review unveiling the power of words in a global driven by information and connectivity the ability of words has are more evident than ever they have the ability to inspire provoke and ignite change

[chimica organica per le scuole superiori con e book con](#) - Sep 09 2022

web chimica organica per le scuole superiori con e book con espansione online clicca sul pulsante verde a destra per acquistare il libro abbiamo comparato i prezzi delle librerie dove il libro è disponibile fai clic sul pulsante verde acquista su e procedi all acquisto in sicurezza spedizione gratuita a partire da 25 o per clienti prime

chimica organica per le scuole superiori con e bo 2022 - Dec 12 2022

web chimica organica per le scuole superiori con e bo chimica organica per le scuole laboratorio di chimica organica per le scuole superiori il mio metodo di studio per materie scientifiche chimica organica per scienze biologiche reazioni degli alcheni in 5 minuti riepilogo chimica organica lezione 1 chimica del carbonio

chimica organica superiore m 2022 2023 università - Jun 18 2023

web conoscenze di base di chimica organica reattività nozioni di stereochemica meccanismi di reazione contenuti il corso tratta principalmente di reazioni organiche per la creazione di legami c c con particolare enfasi alla chimica degli enolati e alla catalisi asimmetrica

chimica organica per le scuole superiori con e bo - Jun 06 2022

web chimica organica per le scuole superiori con e bo 1 chimica organica per le scuole superiori con e bo bollettino ufficiale del ministero d agricoltura industria e commercio catalogo generale della libreria italiana chimica organica con e book con espansione online per le scuole superiori elementi di chimica generale e organica

[chimica organica per le scuole superiori con e bo pdf](#) - Aug 08 2022

web chimica organica per le scuole superiori con e bo progettare e programmare per le scuole superiori con e book con jun 10 2022 web download progettare e programmare per le scuole superiori con e book con espansione online vol 2 gratis libro pdf kindle ipad autore tibone federico pagine 360 isbn 9788808424921 formati pdf chimica con metodo

[chimica organica sezione di appunti per le scuole superiori](#) - Oct 10 2022

web chimica organica sezione di appunti per le scuole superiori organica appunti di chimica organica ricca di argomenti

relativi al settore chimico dalla chimica dell azoto a

chimica organica per le scuole superiori con e book con - Mar 03 2022

web chimica organica per le scuole superiori con e book con espansione online tipi scuole superiori elenco completo e aggiornato wauniversity apr 07 2023 web oct 2 2020 tipi di scuole superiori ecco la lista completa e aggiornata dei tipi di

quantum mechanics 500 problems with solutions 500 - Mar 26 2023

web a good book for students who wish to learn various aspects of quantum mechanics on their own with an aim to develop skills in problem solving apart from regular stuff from

problems in quantum mechanics with solutions - Nov 21 2022

web buy quantum mechanics 500 problems with solutions by g arulldhas online at alibris we have new and used copies available in 1 editions starting at 31 46 shop now

quantum mechanics 500 problems with solutions google books - Jul 30 2023

web this volume quantum mechanics problems with solutions contains detailed model solutions to the exercise problems formulated in the companion lecture notes volume

quantum mechanics 500 problems with solutions amazon de - Aug 19 2022

web aug 3 2020 check pages 1 50 of quantum mechanics 500 problems with solutions by g arulldhas z lib org in the flip pdf version quantum mechanics 500 problems with

quantum mechanics 500 problems with solutions - Jan 24 2023

web amazon in buy quantum mechanics 500 problems with solutions book online at best prices in india on amazon in read quantum mechanics 500 problems with

quantum mechanics problems with solutions book iopscience - Jun 28 2023

web problem set 10 solutions pdf this section provides the problem sets assigned for the course along with solutions

quantum mechanics 500 problems with solutions - Mar 14 2022

quantum mechanics 500 problems with solutions paperback - Dec 23 2022

web a good book for students who wish to learn various aspects of quantum mechanics on their own with an aim to develop skills in problem solving apart from regular stuff from

quantum mechanics 500 problems with solutions paperback - Feb 22 2023

web quantum mechanics 500 problems with solutions arulldhas g amazon com be books

quantum mechanics 500 problems with solutions alibris - Jul 18 2022

web quantum mechanics 500 problems with solutions by arulldhas g buy only for price rs 495 00 at phindia com

quantum mechanics 500 problems with solutions - Apr 26 2023

web buy quantum mechanics 500 problems with solutions by g aruldas isbn 9788120340695 from amazon s book store everyday low prices and free delivery on

quantum mechanics 500 problems with solutions kindle edition - May 16 2022

web quantum mechanics 500 problems with solutions pdfdrive pdf download as a pdf or view online for free

quantum mechanics 500 problems with solutions kindle edition - Dec 11 2021

quantum mechanics 500 problems with solutions paperback - Oct 21 2022

web this collection of solved problems corresponds to the standard topics covered in established undergraduate and graduate courses in quantum mechanics problems

assignments quantum physics i mit opencourseware - May 28 2023

web quantum mechanics 500 problems with solutions 500 problems with solutions ebook written by g aruldas read this book using google play books app on your pc

quantum mechanics 500 problems with solutions pdfdrive pdf - Jan 12 2022

quantum mechanics 500 problems with solutions harvard - Feb 10 2022

quantum mechanics 500 problems with solutions amazon in - Sep 19 2022

web jul 11 2013 quantum mechanics 500 problems with solutions ebook aruldas g amazon co uk kindle store

quantum mechanics 500 problems with solutions by g - Apr 14 2022

web jul 11 2013 quantum mechanics 500 problems with solutions kindle edition by g aruldas author format kindle edition 4 4 302 ratings see all formats and editions

problems and solutions in quantum mechanics - Jun 16 2022

web getting the books quantum mechanics 500 problems with solutions now is not type of challenging means you could not without help going later than book amassing or library

quantum mechanics 500 problems with solutions pdf - Aug 31 2023

web sep 30 2010 quantum mechanics is an important area of physics and students often find it tough from the understanding point of view by providing 500 problems with their