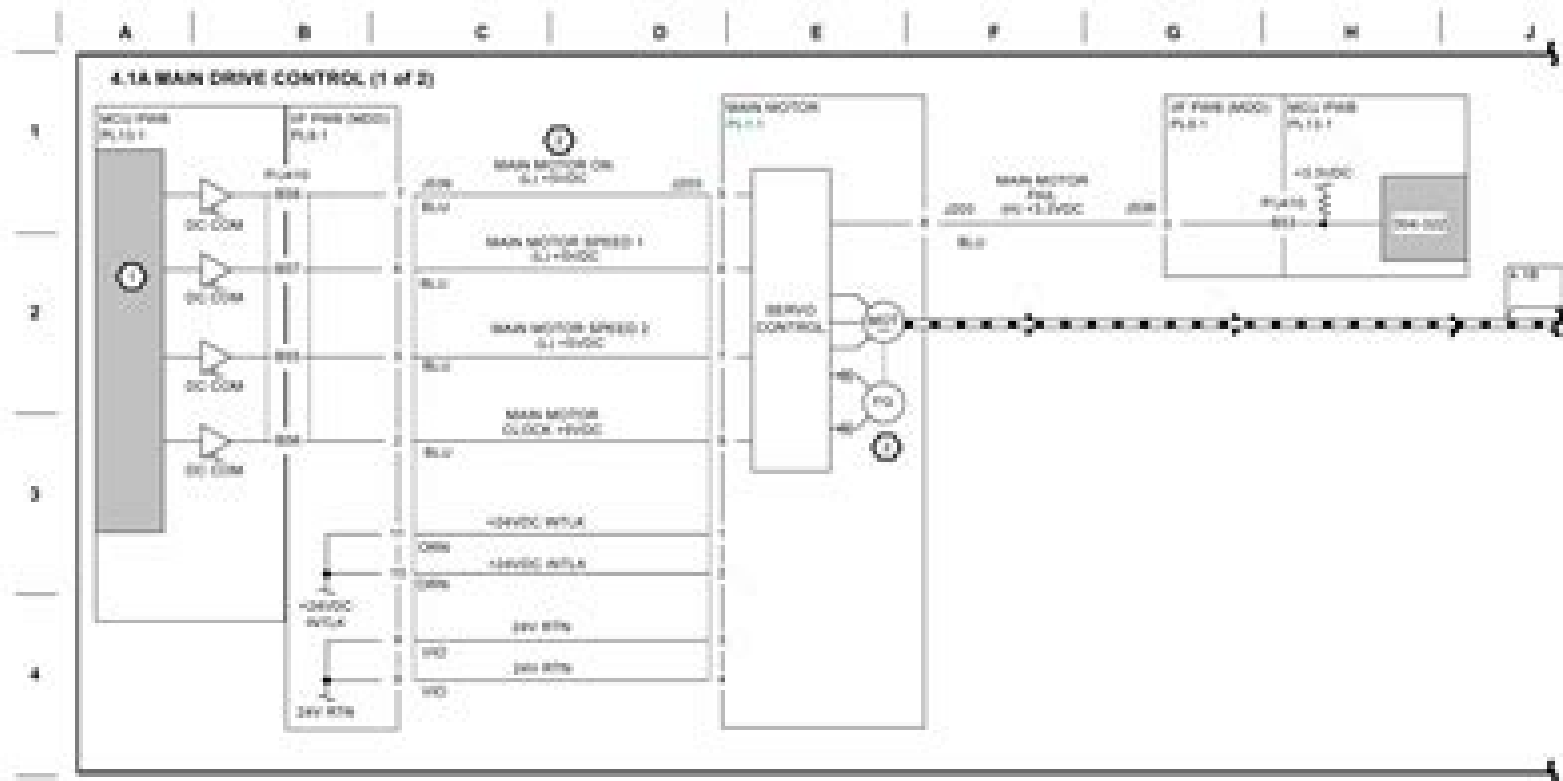


Chain 04 Print Power



NOTES

- 1 SPEEDS AT HIGH SPEED FOR STANDARD PAPER AND AT HALF SPEED FOR TRANSPARENTS.
- 2 MAIN MOTOR NORMAL SPEED = CC (204.004)
HALF SPEED = CC (204.002)
DOUBLE SPEED = CC (204.008)
- 3 THE MAIN MOTOR ROTATION SPEED IS CONTROLLED WITH THE INTERNAL CLOCK.

Printed on 04/01/04

Figure 1 BSS 4.1A Main Drive (1 of 2)

Work Centre 7328 Service Repair Manual

Michael Hoelscher



Work Centre 7328 Service Repair Manual:

Eventually, you will agreed discover a further experience and talent by spending more cash. still when? reach you agree to that you require to get those all needs gone having significantly cash? Why dont you try to get something basic in the beginning? Thats something that will guide you to comprehend even more around the globe, experience, some places, as soon as history, amusement, and a lot more?

It is your completely own get older to bill reviewing habit. in the course of guides you could enjoy now is **Work Centre 7328 Service Repair Manual** below.

https://movement.livewellcolorado.org/data/publication/default.aspx/sky_plus_hd_box_user_manual.pdf

Table of Contents Work Centre 7328 Service Repair Manual

1. Understanding the eBook Work Centre 7328 Service Repair Manual
 - The Rise of Digital Reading Work Centre 7328 Service Repair Manual
 - Advantages of eBooks Over Traditional Books
2. Identifying Work Centre 7328 Service Repair Manual
 - Exploring Different Genres
 - Considering Fiction vs. Non-Fiction
 - Determining Your Reading Goals
3. Choosing the Right eBook Platform
 - Popular eBook Platforms
 - Features to Look for in an Work Centre 7328 Service Repair Manual
 - User-Friendly Interface
4. Exploring eBook Recommendations from Work Centre 7328 Service Repair Manual
 - Personalized Recommendations
 - Work Centre 7328 Service Repair Manual User Reviews and Ratings
 - Work Centre 7328 Service Repair Manual and Bestseller Lists
5. Accessing Work Centre 7328 Service Repair Manual Free and Paid eBooks

- Work Centre 7328 Service Repair Manual Public Domain eBooks
 - Work Centre 7328 Service Repair Manual eBook Subscription Services
 - Work Centre 7328 Service Repair Manual Budget-Friendly Options
6. Navigating Work Centre 7328 Service Repair Manual eBook Formats
 - ePub, PDF, MOBI, and More
 - Work Centre 7328 Service Repair Manual Compatibility with Devices
 - Work Centre 7328 Service Repair Manual Enhanced eBook Features
 7. Enhancing Your Reading Experience
 - Adjustable Fonts and Text Sizes of Work Centre 7328 Service Repair Manual
 - Highlighting and Note-Taking Work Centre 7328 Service Repair Manual
 - Interactive Elements Work Centre 7328 Service Repair Manual
 8. Staying Engaged with Work Centre 7328 Service Repair Manual
 - Joining Online Reading Communities
 - Participating in Virtual Book Clubs
 - Following Authors and Publishers Work Centre 7328 Service Repair Manual
 9. Balancing eBooks and Physical Books Work Centre 7328 Service Repair Manual
 - Benefits of a Digital Library
 - Creating a Diverse Reading Collection Work Centre 7328 Service Repair Manual
 10. Overcoming Reading Challenges
 - Dealing with Digital Eye Strain
 - Minimizing Distractions
 - Managing Screen Time
 11. Cultivating a Reading Routine Work Centre 7328 Service Repair Manual
 - Setting Reading Goals Work Centre 7328 Service Repair Manual
 - Carving Out Dedicated Reading Time
 12. Sourcing Reliable Information of Work Centre 7328 Service Repair Manual
 - Fact-Checking eBook Content of Work Centre 7328 Service Repair Manual
 - Distinguishing Credible Sources
 13. Promoting Lifelong Learning
 - Utilizing eBooks for Skill Development

- Exploring Educational eBooks
14. Embracing eBook Trends
- Integration of Multimedia Elements
 - Interactive and Gamified eBooks

Work Centre 7328 Service Repair Manual Introduction

In this digital age, the convenience of accessing information at our fingertips has become a necessity. Whether its research papers, eBooks, or user manuals, PDF files have become the preferred format for sharing and reading documents. However, the cost associated with purchasing PDF files can sometimes be a barrier for many individuals and organizations. Thankfully, there are numerous websites and platforms that allow users to download free PDF files legally. In this article, we will explore some of the best platforms to download free PDFs. One of the most popular platforms to download free PDF files is Project Gutenberg. This online library offers over 60,000 free eBooks that are in the public domain. From classic literature to historical documents, Project Gutenberg provides a wide range of PDF files that can be downloaded and enjoyed on various devices. The website is user-friendly and allows users to search for specific titles or browse through different categories. Another reliable platform for downloading Work Centre 7328 Service Repair Manual free PDF files is Open Library. With its vast collection of over 1 million eBooks, Open Library has something for every reader. The website offers a seamless experience by providing options to borrow or download PDF files. Users simply need to create a free account to access this treasure trove of knowledge. Open Library also allows users to contribute by uploading and sharing their own PDF files, making it a collaborative platform for book enthusiasts. For those interested in academic resources, there are websites dedicated to providing free PDFs of research papers and scientific articles. One such website is Academia.edu, which allows researchers and scholars to share their work with a global audience. Users can download PDF files of research papers, theses, and dissertations covering a wide range of subjects. Academia.edu also provides a platform for discussions and networking within the academic community. When it comes to downloading Work Centre 7328 Service Repair Manual free PDF files of magazines, brochures, and catalogs, Issuu is a popular choice. This digital publishing platform hosts a vast collection of publications from around the world. Users can search for specific titles or explore various categories and genres. Issuu offers a seamless reading experience with its user-friendly interface and allows users to download PDF files for offline reading. Apart from dedicated platforms, search engines also play a crucial role in finding free PDF files. Google, for instance, has an advanced search feature that allows users to filter results by file type. By specifying the file type as "PDF," users can find websites that offer free PDF downloads on a specific topic. While downloading Work Centre 7328 Service Repair Manual free PDF files is convenient, its important to note that copyright laws must be respected. Always ensure that

the PDF files you download are legally available for free. Many authors and publishers voluntarily provide free PDF versions of their work, but it's essential to be cautious and verify the authenticity of the source before downloading Work Centre 7328 Service Repair Manual. In conclusion, the internet offers numerous platforms and websites that allow users to download free PDF files legally. Whether it's classic literature, research papers, or magazines, there is something for everyone. The platforms mentioned in this article, such as Project Gutenberg, Open Library, Academia.edu, and Issuu, provide access to a vast collection of PDF files. However, users should always be cautious and verify the legality of the source before downloading Work Centre 7328 Service Repair Manual any PDF files. With these platforms, the world of PDF downloads is just a click away.

FAQs About Work Centre 7328 Service Repair Manual Books

1. Where can I buy Work Centre 7328 Service Repair Manual books? Bookstores: Physical bookstores like Barnes & Noble, Waterstones, and independent local stores. Online Retailers: Amazon, Book Depository, and various online bookstores offer a wide range of books in physical and digital formats.
2. What are the different book formats available? Hardcover: Sturdy and durable, usually more expensive. Paperback: Cheaper, lighter, and more portable than hardcovers. E-books: Digital books available for e-readers like Kindle or software like Apple Books, Kindle, and Google Play Books.
3. How do I choose a Work Centre 7328 Service Repair Manual book to read? Genres: Consider the genre you enjoy (fiction, non-fiction, mystery, sci-fi, etc.). Recommendations: Ask friends, join book clubs, or explore online reviews and recommendations. Author: If you like a particular author, you might enjoy more of their work.
4. How do I take care of Work Centre 7328 Service Repair Manual books? Storage: Keep them away from direct sunlight and in a dry environment. Handling: Avoid folding pages, use bookmarks, and handle them with clean hands. Cleaning: Gently dust the covers and pages occasionally.
5. Can I borrow books without buying them? Public Libraries: Local libraries offer a wide range of books for borrowing. Book Swaps: Community book exchanges or online platforms where people exchange books.
6. How can I track my reading progress or manage my book collection? Book Tracking Apps: Goodreads, LibraryThing, and Book Catalogue are popular apps for tracking your reading progress and managing book collections. Spreadsheets: You can create your own spreadsheet to track books read, ratings, and other details.
7. What are Work Centre 7328 Service Repair Manual audiobooks, and where can I find them? Audiobooks: Audio

- recordings of books, perfect for listening while commuting or multitasking. Platforms: Audible, LibriVox, and Google Play Books offer a wide selection of audiobooks.
8. How do I support authors or the book industry? Buy Books: Purchase books from authors or independent bookstores. Reviews: Leave reviews on platforms like Goodreads or Amazon. Promotion: Share your favorite books on social media or recommend them to friends.
 9. Are there book clubs or reading communities I can join? Local Clubs: Check for local book clubs in libraries or community centers. Online Communities: Platforms like Goodreads have virtual book clubs and discussion groups.
 10. Can I read Work Centre 7328 Service Repair Manual books for free? Public Domain Books: Many classic books are available for free as they're in the public domain. Free E-books: Some websites offer free e-books legally, like Project Gutenberg or Open Library.

Find Work Centre 7328 Service Repair Manual :

sky plus hd box user manual

[skoda yeti manual diesel](#)

skin deep a saving liam story english edition

sl math paper 1 2014 tz 1 markscheme

[skoda fabia comfort 2015 manual](#)

skyline r32 4 door fuse box diagram

slimming world extra easy cookbook

[skoda octavia mk2 workshop manual](#)

sleeper cell season 2 episode guide

ski doo nordik manual

skidoo rev shop manual

skoda fabia 08 workshop manual

skidoo tundra lt

ski doo 800 engine problems

skoda symphony manual 2015

Work Centre 7328 Service Repair Manual :

Introduction to Materials Management (7th Edition) Introduction to Materials Management, Seventh Edition covers all the essentials of modern supply chain management, manufacturing planning and control systems, ... Introduction to Materials Management (7th Edition) - AbeBooks Introduction to Materials Management, Seventh Edition covers all the essentials of modern supply chain management, manufacturing planning and control systems, ... Introduction to Materials Management (7th Edition) Introduction to Materials Management (7th Edition). by J. R. Tony Arnold, Stephen ... J. R. Tony Arnold is the author of 'Introduction to Materials Management ... Introduction to Materials Management (7th Edition ... Introduction to Materials Management (7th Edition) by J. R. Tony Arnold (Dec 31 2010) [unknown author] on Amazon.com. *FREE* shipping on qualifying offers. Introduction To Materials Management - Biblio.com Written in a simple and user-friendly style, this book covers all the basics of supply chain management and production and inventory control. Introduction to Materials Management: - Softcover Introduction to Materials Management, Seventh Edition covers all the essentials of modern supply chain management, manufacturing planning and control systems, ... Introduction to Materials Management by J. R. Tony Arnold Introduction to Materials Management, Seventh Edition covers all the essentials of modern supply chain management, manufacturing planning and control systems ... Introduction to Materials Management - Google Books Introduction to Materials Management, Seventh Edition covers all the essentials of modern supply chain management ... J. R. Tony Arnold, Stephen N. Chapman ... Introduction to Materials Management by J. R. Tony Arnold ... Introduction to Materials Management, Seventh Edition covers all the essentials of modern supply chain management, manufacturing planning and control systems, ... Introduction to Materials Management (7th Edition) - Biblio Introduction to Materials Management (7th Edition); Author ; Arnold, J. R. Tony; Book Condition ; UsedGood; Quantity Available ; 0131376705; ISBN 13 ; 9780131376700 ... Hornady 9th Edition Handbook of Cartridge ... The 9th Edition Hornady Handbook of Cartridge Reloading is the newest reloading handbook by Hornady. This book is an extremely valuable resource for reloading. Hornady 9th Edition Handbook of Cartridge ... This revised and updated handbook contains load data for almost every cartridge available, including new powders, bullets, and loads for more than 200 rifle and ... Hornady 9th Edition Handbook of Cartridge Reloading Hornady ; Title: Hornady 9th Edition Handbook of Cartridge ... ; Binding: Hardcover ; Condition: very good. 9th Edition Handbook of Cartridge Reloading - Media Center Oct 22, 2012 — The 9th Edition Hornady® Handbook of Cartridge Reloading will be available December 1st, offering reloaders over 900 pages worth of the ... Hornady 9th Edition Handbook of Cartridge... Book Overview ; Format:Hardcover ; Language:English ; ISBN:B00A95QWGM ; ISBN13:0799916825790 ; Release Date:January 2012. Hornady Handbook of Cartridge Reloading: 9th ... This manual is great addition to any reloading bench and includes over 900 pages of the latest reloading data, for 223 different calibers, 146 different powders ... Hornady Hunting Gun Reloading Manuals ... - eBay Hornady Reloading Manual - 11th Edition Hornady Handbook of Cartridge

Reloading ... Hornady 99239 Handbook 9Th Edition. Pre-Owned: Hornady. \$26.99. \$17.05 ... Hornady Reloading Handbook: 9th Edition Hornady "Handbook of Cartridge Reloading: 9th Edition" Reloading Manual. The Hornady ... LYMAN LOAD DATA BOOK 24, 25, 6.5MM. \$3.85. Add to Wishlist · Read more ... Hornady Handbook of Cartridge Reloading by Neal Emery Jan 21, 2014 — ... 9th Edition Hornady® Handbook of Cartridge Reloading an invaluable resource for their bench. You'll find over 900 pages representing data of ... Australian National Curriculum Checklists For Progression Points Knowledge at the Crossroads? Australian Bird Names. Teaching for Numeracy Across the Age Range. Australian Curriculum English. K-2 Number Activities. Australian curriculum checklist This bundle of editable Australian Curriculum Assessment Checklists for Year 3 will make your planning and assessment simple and ... National Literacy and Numeracy Learning Progressions In the Australian Curriculum, learning area content describes the knowledge, understanding and skills that are to be taught in each year or band of years. National Literacy Learning Progression The progression has not been designed as a checklist and does not replace the Australian Curriculum: English. Each sub-element has been mapped to the year level ... Australian Curriculum Mathematics Assessment Checklists ... Progression Point by the end of the term/year. Each checklist is broken up into the ACARA Australian Curriculum Mathematics Content Strands and Sub Strands ... Australian curriculum assessment checklist ... assessment checklist linked to AusVELs progression points for reading and viewing. Subjects: Reading. Grades: 2nd - 6th. Types: Assessment. Year 4 Maths National Curriculum Assessment Checklist Track pupil knowledge against the Maths National Curriculum for year 4 with this handy checklist, which includes Ready-to-Progress criteria on a separate ... National Literacy Learning Progression The progression amplifies the literacy skills in the. Australian Curriculum: English, particularly in the Language and Literacy strands, and is organised by ... Australian Curriculum Mathematics Assessment Checklists Australian Curriculum ~ Australian Assessment: These Australian Curriculum Mathematics Checklists are designed to make your assessment A LOT easier! Pages - Literacy learning progressions The need to develop national Literacy and Numeracy Progressions was identified by all Australian education ministers in December 2015. The Australian Curriculum ...