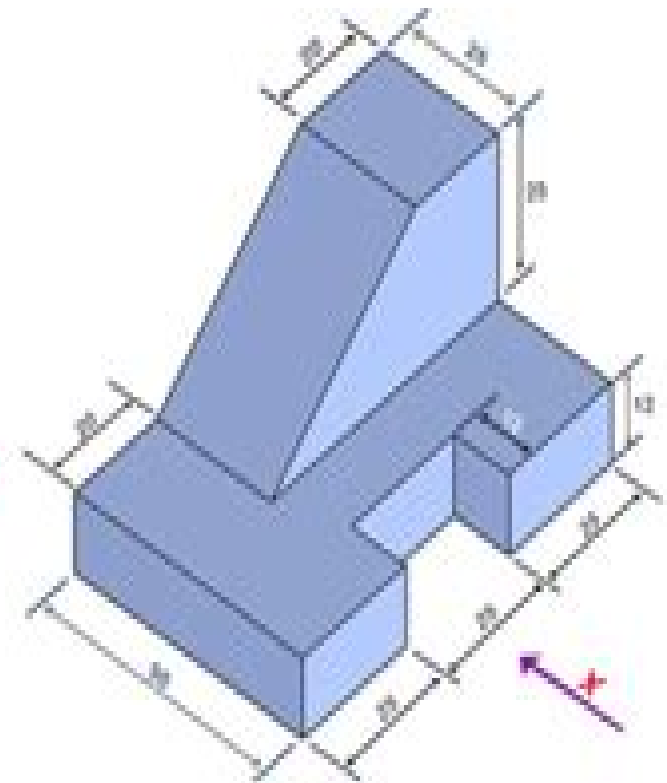
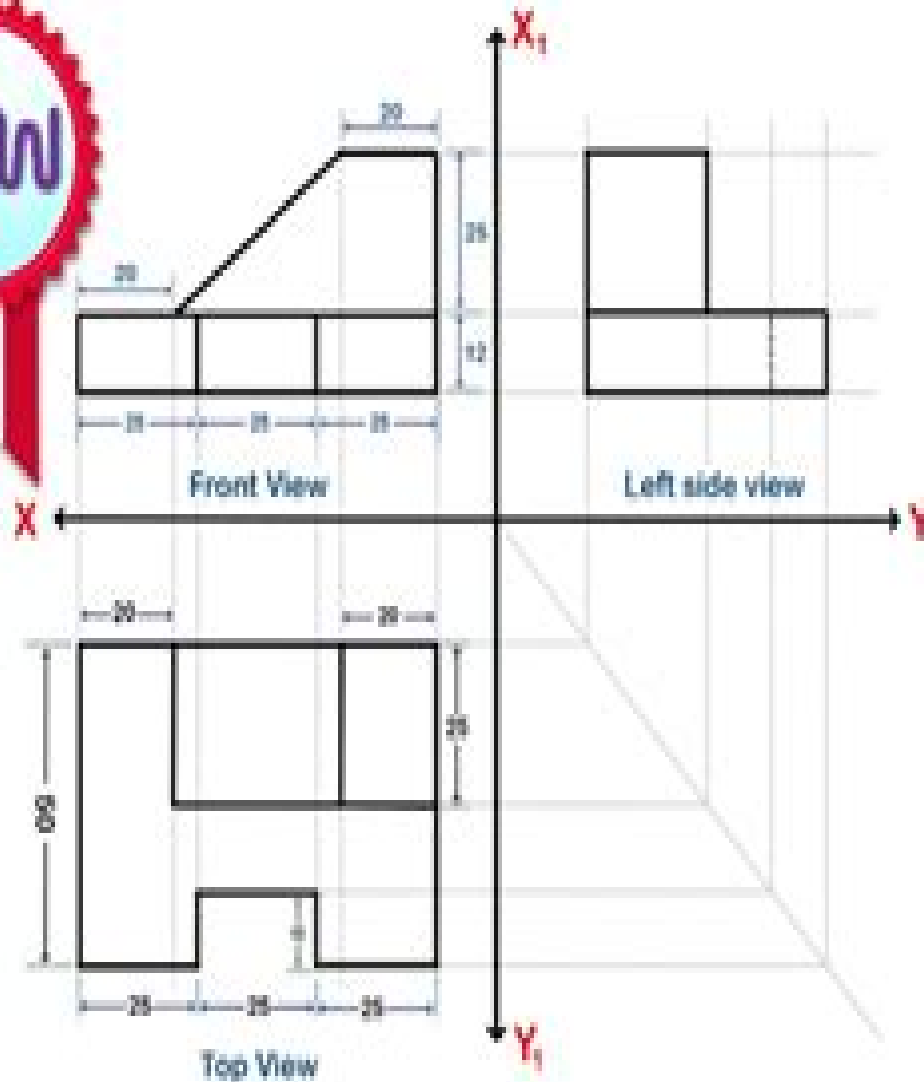


# Orthographic Projection



Isometric View

# Visualizing Isometric Orthographic Drawings Assignme T

**Maria Teresa Restivo,Alberto  
Cardoso,Ant—nio Mendes Lopes**

## **Visualizing Isometric Orthographic Drawings Assignme T:**

This is likewise one of the factors by obtaining the soft documents of this **Visualizing Isometric Orthographic Drawings Assignme T** by online. You might not require more become old to spend to go to the ebook opening as with ease as search for them. In some cases, you likewise complete not discover the statement Visualizing Isometric Orthographic Drawings Assignme T that you are looking for. It will unconditionally squander the time.

However below, in the manner of you visit this web page, it will be appropriately entirely simple to get as capably as download guide Visualizing Isometric Orthographic Drawings Assignme T

It will not recognize many time as we notify before. You can reach it even though feat something else at home and even in your workplace. in view of that easy! So, are you question? Just exercise just what we offer below as skillfully as review **Visualizing Isometric Orthographic Drawings Assignme T** what you like to read!

<https://movement.livewellcolorado.org/book/virtual-library/index.jsp/Toyota%20Corolla%201999%20Manual.pdf>

## **Table of Contents Visualizing Isometric Orthographic Drawings Assignme T**

1. Understanding the eBook Visualizing Isometric Orthographic Drawings Assignme T
  - The Rise of Digital Reading Visualizing Isometric Orthographic Drawings Assignme T
  - Advantages of eBooks Over Traditional Books
2. Identifying Visualizing Isometric Orthographic Drawings Assignme T
  - Exploring Different Genres
  - Considering Fiction vs. Non-Fiction
  - Determining Your Reading Goals
3. Choosing the Right eBook Platform
  - Popular eBook Platforms
  - Features to Look for in an Visualizing Isometric Orthographic Drawings Assignme T
  - User-Friendly Interface
4. Exploring eBook Recommendations from Visualizing Isometric Orthographic Drawings Assignme T

- Personalized Recommendations
  - Visualizing Isometric Orthographic Drawings Assignme T User Reviews and Ratings
  - Visualizing Isometric Orthographic Drawings Assignme T and Bestseller Lists
5. Accessing Visualizing Isometric Orthographic Drawings Assignme T Free and Paid eBooks
    - Visualizing Isometric Orthographic Drawings Assignme T Public Domain eBooks
    - Visualizing Isometric Orthographic Drawings Assignme T eBook Subscription Services
    - Visualizing Isometric Orthographic Drawings Assignme T Budget-Friendly Options
  6. Navigating Visualizing Isometric Orthographic Drawings Assignme T eBook Formats
    - ePub, PDF, MOBI, and More
    - Visualizing Isometric Orthographic Drawings Assignme T Compatibility with Devices
    - Visualizing Isometric Orthographic Drawings Assignme T Enhanced eBook Features
  7. Enhancing Your Reading Experience
    - Adjustable Fonts and Text Sizes of Visualizing Isometric Orthographic Drawings Assignme T
    - Highlighting and Note-Taking Visualizing Isometric Orthographic Drawings Assignme T
    - Interactive Elements Visualizing Isometric Orthographic Drawings Assignme T
  8. Staying Engaged with Visualizing Isometric Orthographic Drawings Assignme T
    - Joining Online Reading Communities
    - Participating in Virtual Book Clubs
    - Following Authors and Publishers Visualizing Isometric Orthographic Drawings Assignme T
  9. Balancing eBooks and Physical Books Visualizing Isometric Orthographic Drawings Assignme T
    - Benefits of a Digital Library
    - Creating a Diverse Reading Collection Visualizing Isometric Orthographic Drawings Assignme T
  10. Overcoming Reading Challenges
    - Dealing with Digital Eye Strain
    - Minimizing Distractions
    - Managing Screen Time
  11. Cultivating a Reading Routine Visualizing Isometric Orthographic Drawings Assignme T
    - Setting Reading Goals Visualizing Isometric Orthographic Drawings Assignme T
    - Carving Out Dedicated Reading Time
  12. Sourcing Reliable Information of Visualizing Isometric Orthographic Drawings Assignme T

- Fact-Checking eBook Content of Visualizing Isometric Orthographic Drawings Assignme T
  - Distinguishing Credible Sources
13. Promoting Lifelong Learning
- Utilizing eBooks for Skill Development
  - Exploring Educational eBooks
14. Embracing eBook Trends
- Integration of Multimedia Elements
  - Interactive and Gamified eBooks

### Visualizing Isometric Orthographic Drawings Assignme T Introduction

Free PDF Books and Manuals for Download: Unlocking Knowledge at Your Fingertips In today's fast-paced digital age, obtaining valuable knowledge has become easier than ever. Thanks to the internet, a vast array of books and manuals are now available for free download in PDF format. Whether you are a student, professional, or simply an avid reader, this treasure trove of downloadable resources offers a wealth of information, conveniently accessible anytime, anywhere. The advent of online libraries and platforms dedicated to sharing knowledge has revolutionized the way we consume information. No longer confined to physical libraries or bookstores, readers can now access an extensive collection of digital books and manuals with just a few clicks. These resources, available in PDF, Microsoft Word, and PowerPoint formats, cater to a wide range of interests, including literature, technology, science, history, and much more. One notable platform where you can explore and download free Visualizing Isometric Orthographic Drawings Assignme T PDF books and manuals is the internet's largest free library. Hosted online, this catalog compiles a vast assortment of documents, making it a veritable goldmine of knowledge. With its easy-to-use website interface and customizable PDF generator, this platform offers a user-friendly experience, allowing individuals to effortlessly navigate and access the information they seek. The availability of free PDF books and manuals on this platform demonstrates its commitment to democratizing education and empowering individuals with the tools needed to succeed in their chosen fields. It allows anyone, regardless of their background or financial limitations, to expand their horizons and gain insights from experts in various disciplines. One of the most significant advantages of downloading PDF books and manuals lies in their portability. Unlike physical copies, digital books can be stored and carried on a single device, such as a tablet or smartphone, saving valuable space and weight. This convenience makes it possible for readers to have their entire library at their fingertips, whether they are commuting, traveling, or simply enjoying a lazy afternoon at home. Additionally, digital files are easily searchable, enabling readers to locate specific information within seconds. With a few keystrokes, users can search for keywords, topics, or phrases, making research and

finding relevant information a breeze. This efficiency saves time and effort, streamlining the learning process and allowing individuals to focus on extracting the information they need. Furthermore, the availability of free PDF books and manuals fosters a culture of continuous learning. By removing financial barriers, more people can access educational resources and pursue lifelong learning, contributing to personal growth and professional development. This democratization of knowledge promotes intellectual curiosity and empowers individuals to become lifelong learners, promoting progress and innovation in various fields. It is worth noting that while accessing free Visualizing Isometric Orthographic Drawings Assignme T PDF books and manuals is convenient and cost-effective, it is vital to respect copyright laws and intellectual property rights. Platforms offering free downloads often operate within legal boundaries, ensuring that the materials they provide are either in the public domain or authorized for distribution. By adhering to copyright laws, users can enjoy the benefits of free access to knowledge while supporting the authors and publishers who make these resources available. In conclusion, the availability of Visualizing Isometric Orthographic Drawings Assignme T free PDF books and manuals for download has revolutionized the way we access and consume knowledge. With just a few clicks, individuals can explore a vast collection of resources across different disciplines, all free of charge. This accessibility empowers individuals to become lifelong learners, contributing to personal growth, professional development, and the advancement of society as a whole. So why not unlock a world of knowledge today? Start exploring the vast sea of free PDF books and manuals waiting to be discovered right at your fingertips.

### FAQs About Visualizing Isometric Orthographic Drawings Assignme T Books

1. Where can I buy Visualizing Isometric Orthographic Drawings Assignme T books? Bookstores: Physical bookstores like Barnes & Noble, Waterstones, and independent local stores. Online Retailers: Amazon, Book Depository, and various online bookstores offer a wide range of books in physical and digital formats.
2. What are the different book formats available? Hardcover: Sturdy and durable, usually more expensive. Paperback: Cheaper, lighter, and more portable than hardcovers. E-books: Digital books available for e-readers like Kindle or software like Apple Books, Kindle, and Google Play Books.
3. How do I choose a Visualizing Isometric Orthographic Drawings Assignme T book to read? Genres: Consider the genre you enjoy (fiction, non-fiction, mystery, sci-fi, etc.). Recommendations: Ask friends, join book clubs, or explore online reviews and recommendations. Author: If you like a particular author, you might enjoy more of their work.
4. How do I take care of Visualizing Isometric Orthographic Drawings Assignme T books? Storage: Keep them away from

- direct sunlight and in a dry environment. Handling: Avoid folding pages, use bookmarks, and handle them with clean hands. Cleaning: Gently dust the covers and pages occasionally.
5. Can I borrow books without buying them? Public Libraries: Local libraries offer a wide range of books for borrowing. Book Swaps: Community book exchanges or online platforms where people exchange books.
  6. How can I track my reading progress or manage my book collection? Book Tracking Apps: Goodreads, LibraryThing, and Book Catalogue are popular apps for tracking your reading progress and managing book collections. Spreadsheets: You can create your own spreadsheet to track books read, ratings, and other details.
  7. What are Visualizing Isometric Orthographic Drawings Assignme T audiobooks, and where can I find them? Audiobooks: Audio recordings of books, perfect for listening while commuting or multitasking. Platforms: Audible, LibriVox, and Google Play Books offer a wide selection of audiobooks.
  8. How do I support authors or the book industry? Buy Books: Purchase books from authors or independent bookstores. Reviews: Leave reviews on platforms like Goodreads or Amazon. Promotion: Share your favorite books on social media or recommend them to friends.
  9. Are there book clubs or reading communities I can join? Local Clubs: Check for local book clubs in libraries or community centers. Online Communities: Platforms like Goodreads have virtual book clubs and discussion groups.
  10. Can I read Visualizing Isometric Orthographic Drawings Assignme T books for free? Public Domain Books: Many classic books are available for free as theyre in the public domain. Free E-books: Some websites offer free e-books legally, like Project Gutenberg or Open Library.

### Find Visualizing Isometric Orthographic Drawings Assignme T :

[toyota corolla 1999 manual](#)

**toyota highlander haynes repair manual megaupload**

*toyota corolla engine guide*

[toyota d4d repair manual](#)

**toyota corolla repair manual 2004**

**toyota corolla factory service repair manual 2015**

*toyota forklift manual book*

[toyota engine 1kz service manual](#)

**toyota echo air conditioning problems**



*toyota corolla 4age engine manual*

*toyota extra care customer service*

[toyota corolla 2011 owners manual](#)

**toyota corolla verso service reset**

[toyota estima owners manual 2015](#)

*toyota corolla ce 110 service manual*

## **Visualizing Isometric Orthographic Drawings Assignme T :**

**introduction to leadership concepts and practice** - Jun 16 2022

the fifth edition of peter g northouse s bestselling introduction to leadership concepts and practice provides readers with a clear concise overview of the complexities of practicing leadership and concrete strategies for becoming better leaders

**introduction to leadership vantage learning platform** - Aug 19 2022

about introduction to leadership concepts and practice fifth edition peter g northouse s bestselling introduction to leadership concepts and practice provides readers with a clear concise overview of the complexities of practicing leadership and concrete strategies for becoming better leaders the text is organized around key leader

**introduction to leadership concepts and practice google books** - Oct 01 2023

includes new chapter on destructive leadership the fifth edition of peter g northouse s bestselling introduction to leadership concepts and practice provides readers with a clear concise

[introduction to leadership concepts and practice pdf](#) - May 16 2022

description thefourth editionof peter g northouse s bestsellingintroduction to leadership concepts and practiceprovides readers with a clear overview of the complexities of practicing leadership and concrete strategies for becoming better leaders

**introduction to leadership concepts and practice google books** - Jan 24 2023

the fifth edition of peter g northouse s bestselling introduction is organized around key leader responsibilities such as creating a vision establishing a constructive climate listening to

[introduction to leadership concepts and practice amazon com](#) - Jul 30 2023

jan 14 2020 the fifth edition of peter g northouse s bestselling introduction to leadership concepts and practice provides readers with a clear concise overview of the complexities of practicing leadership and concrete strategies for becoming better leaders the text is organized around key leader responsibilities such as creating a vision

**introduction to leadership concepts and practice google books** - Mar 26 2023

nov 5 2019 the fifth edition of peter g northouse s best selling introduction to leadership concepts and practice provides readers with a clear concise overview of the complexities of practicing

**introduction to leadership concepts and practice google books** - Feb 22 2023

feb 6 2017 the fourth edition of peter g northouse s bestselling introduction to leadership concepts and practice provides readers with a clear overview of the complexities of practicing leadership and

**introduction to leadership concepts and practice searchworks** - Mar 14 2022

1 being a leader defining leadership global leadership attributes practicing leadership summary references 1 1

conceptualizing leadership questionnaire 1 2 observational exercise 1 3 reflection and action worksheet 2 recognizing your traits historical leaders what traits do these leaders display

*introduction to leadership concepts and practice* - Apr 14 2022

new chapter on destructive leadership the fifth edition of peter g northouse s best selling introduction to leadership concepts and practice provides readers with a clear concise overview of the complexities of practicing leadership and concrete strategies for becoming better leaders the text is organized around key leader responsibilities such as creating a vision

**introduction to leadership sage publications inc** - May 28 2023

the fifth edition of peter g northouse s best selling introduction to leadership concepts and practice provides readers with a clear concise overview of the complexities of practicing leadership and concrete strategies for becoming better leaders the text is organized around key leader responsibilities such as creating a vision

*introduction to leadership concepts and practice google books* - Sep 19 2022

mar 21 2011 peter g northouse sage publications mar 21 2011 business economics 267 pages offering a straightforward introduction to the basic principles of leadership the second edition of

**introduction to leadership sage publications inc** - Dec 23 2022

the sixth edition of peter g northouse s best selling introduction to leadership concepts and practice provides readers with a clear concise overview of the complexities of practicing leadership and concrete strategies for becoming better leaders

*introduction to leadership online resources sage* - Oct 21 2022

offering a straightforward introduction to the basic principles of leadership peter g northouse s introduction to leadership concepts and practice third edition provides readers with practical strategies for becoming more effective leaders in organizational settings and in their own lives

[introduction to leadership concepts and practice online](#) - Jun 28 2023

peter g northouse s bestselling introduction to leadership concepts and practice fourth edition provides readers with a clear overview of the complexities of practicing leadership and concrete strategies for becoming better leaders

*introduction to leadership concepts and practice* - Feb 10 2022

mar 28 2017 *introduction to leadership concepts and practice* p northouse published 28 march 2017 education preface chapter 1 being a leader defining leadership global leadership attributes practicing leadership 1 1 conceptualizing leadership questionnaire 1 2 observational exercise 1 3 reflection and action worksheet chapter 2

*introduction to leadership concepts and practice emerald insight* - Nov 21 2022

sep 25 2009 this interactive textbook provides a useful introduction to a range of leadership concepts and practices

*introduction to leadership concepts and practice google books* - Apr 26 2023

jan 3 2014 offering a straightforward introduction to the basic principles of leadership peter g northouse s *introduction to leadership concepts and practice* third edition provides readers with

**introduction to leadership concepts and practice online** - Aug 31 2023

welcome to the sage edge site for *introduction to leadership* 5e the fifth edition of peter g northouse s bestselling *introduction to leadership concepts and practice* provides readers with a clear concise overview of the complexities of practicing leadership and concrete strategies for becoming better leaders

**introduction to leadership concepts and practice 5th edition** - Jul 18 2022

*introduction to leadership concepts and practice* 5th edition author s peter g northouse publisher sage publications inc format reflowable what s this print isbn 9781544351599 1544351593 etext isbn 9781544351629 1544351623 edition 5th copyright 2021 42 00 usd 9781544351629r90 rent or buy etextbook 90 days 42 00 120 days

*galops 1 à 4 édition 2000 programme officiel abebooks* - Sep 14 2023

web abebooks com *galops 1 à 4 édition 2000 programme officiel* 9782224026158 by collectif and a great selection of similar new used and collectible books available now

*a quick introduction to singapore s 9 gep primary schools* - Dec 25 2021

web dec 29 2021 4 nan hua primary school one of the most highly subscribed primary schools in singapore nan hua primary school s more than a century of history began

**galops 1 à 4 nouveau programme officiel de collectif decitre** - May 30 2022

web apr 1 2001 voici le nouveau manuel des galops 1 à 4 correspondant au brevet de cavalier les chapitres répondent point par point aux demandes du nouveau

*galops 1 à 4 manuel des examens d équitation softcover* - Oct 03 2022

web *galops 1 à 4 manuel des examens d équitation* isbn 10 2711418049 isbn 13 9782711418046 n a softcover this specific isbn edition is currently not available

**general paper syllabus 8807 singapore examinations and** - Jan 26 2022

web paper 1 essay paper comprises 12 questions topic areas issues drawn from across disciplines issues of local interest and global concern answer any one out of a total of

**galops 1 à 4 programme officiel paperback amazon com** - Sep 02 2022

web galops 1 à 4 programme officiel on amazon com free shipping on qualifying offers galops 1 à 4 programme officiel pdf galops 1 a 4 programme officiel edition 2000 - Mar 28 2022

web 1 galops 1 a 4 programme officiel edition 2000 théorèmes et problèmes de géometrie élémentaire troisième édition revue et augmentée dec 27 2022 catalogue of the

*renewalcc com* - Jun 30 2022

web renewalcc com

galops 1 à 4 nouveau programme officiel label emmaüs - Apr 28 2022

web nouveau programme officiel voici le nouveau manuel des galops 1 à 4 correspondant au brevet de cavalier les chapitres répondent point par point aux demandes du nouveau

galops 1 à 4 nouveau programme officiel archive org - Oct 15 2023

web an illustration of a horizontal line over an up pointing arrow an illustration of a computer application window an illustration of an open book an illustration of two cells of a film strip

**galops 1 a 4 programme officiel edition 2000 collectif** - Jun 11 2023

web mar 11 2023 find many great new used options and get the best deals for galops 1 a 4 programme officiel edition 2000 collectif at the best online prices at ebay

**galops 1 a 4 programme officiel edition 2000 pdf pantera adecco** - Feb 24 2022

web galops 1 a 4 programme officiel edition 2000 akashvani parler aux chevaux autrement american florist galop fancy fair and floral fête programme wednesday

**galops 1 a 4 programme officiel edition 2000 collectif** - Apr 09 2023

web may 1 2023 find many great new used options and get the best deals for galops 1 a 4 programme officiel edition 2000 collectif at the best online prices at ebay free

*galops 1 a 4 manuel des e programme officiel paperback* - Aug 01 2022

web hello select your address books

galops 1 a 4 programme officiel edition 2000 collectif - May 10 2023

web jan 19 2000 voici la nouvelle édition mise à jour en 2000 des galops 1 à 4 correspondant au brevet de cavalier les chapitres répondent oint par point aux

*galops Édition 2000 programme by collectif abebooks* - Jul 12 2023

web galops 1 à 4 édition 2000 programme officiel by collectif and a great selection of related books art and collectibles available now at abebooks com

**galops 1 a 4 manuel des e programme officiel abebooks** - Mar 08 2023

web galops 1 a 4 manuel des e programme officiel by collectif at abebooks co uk isbn 10 2711418049 isbn 13 9782711418046 vigot 2005 softcover

**galops 1 à 4 édition 2000 programme officiel by co book** - Nov 04 2022

web find many great new used options and get the best deals for galops 1 à 4 édition 2000 programme officiel by co book condition good at the best online prices at ebay

galops 1 a 4 programme officiel edition 2000 by collectif ebay - Aug 13 2023

web mar 2 2023 galops 1 a 4 programme officiel edition 2000 by collectif 9782224026158 ebay find many great new used options and get the best deals for

**galops 1 À 4 Édition 2000 programme officiel by collectif book** - Jan 06 2023

web find many great new used options and get the best deals for galops 1 À 4 Édition 2000 programme officiel by collectif book at the best online prices at ebay free delivery

galops 1 à 4 2001 edition open library - Dec 05 2022

web galops 1 à 4 by n a 2001 vigot edition in french français it looks like you re offline donate Čeština cs deutsch de galops 1 à 4 nouveau programme officiel by

**galops 1 À 4 Édition 2000 programme officiel by collectif book** - Feb 07 2023

web find many great new used options and get the best deals for galops 1 À 4 Édition 2000 programme officiel by collectif book at the best online prices at ebay free shipping

**galops 1 a 4 programme officiel edition 2000** - Nov 23 2021

web galops 1 a 4 programme officiel edition 2000 is available in our book collection an online access to it is set as public so you can get it instantly our book servers hosts in multiple

**stock images photos vectors video and music shutterstock** - Feb 12 2023

web trending image searches on shutterstock 2023 check out these fresh takes for the most popular stock photos to license diversity hands and city photos with data connection make a statement but these alternative search keywords can

**google images** - Aug 18 2023

web google images the most comprehensive image search on the web

**google images** - Mar 13 2023

web google images la recherche d images la plus complète sur le web

[royalty free stock images for creative projects shutterstock](#) - Apr 14 2023

web crop image resize image color palettes color palette generator image converter shutterstock editor

[bing image inspiration feed](#) - Jun 16 2023

web 2020 dodge charger srt hellcat widebody 4k ultra hd wallpaper background image 3840x2160 id 1036033 wallpaper

abyss baby highland cow in the mountains of colorado aww outdoor senior photo poses portrait photography gladiator

sandals outfit fanpop com gladiator sandals dresses phot discover new ideas

**google advanced image search** - Dec 10 2022

web then narrow your results by image size aspect ratio colors in image any color full color black white transparent type of image

[4 1 million stunning free images to use anywhere pixabay](#) - Jul 17 2023

web find your perfect royalty free image or video to download and use royalty free no attribution required high quality images

**100 000 best background image photos pexels** - May 15 2023

web download and use 100 000 background image stock photos for free thousands of new images every day completely free to use high quality videos and images from pexels

[yandex images search for images online image search](#) - Nov 09 2022

web funny pictures backgrounds for your desktop diagrams and illustrated instructions answers to your questions in the form of images search by image and photo

[getty images royalty free stock photos illustrations vector](#) - Jan 11 2023

web find the perfect royalty free image for your next project from the world s best photo library of creative stock photos vector art illustrations and stock photography