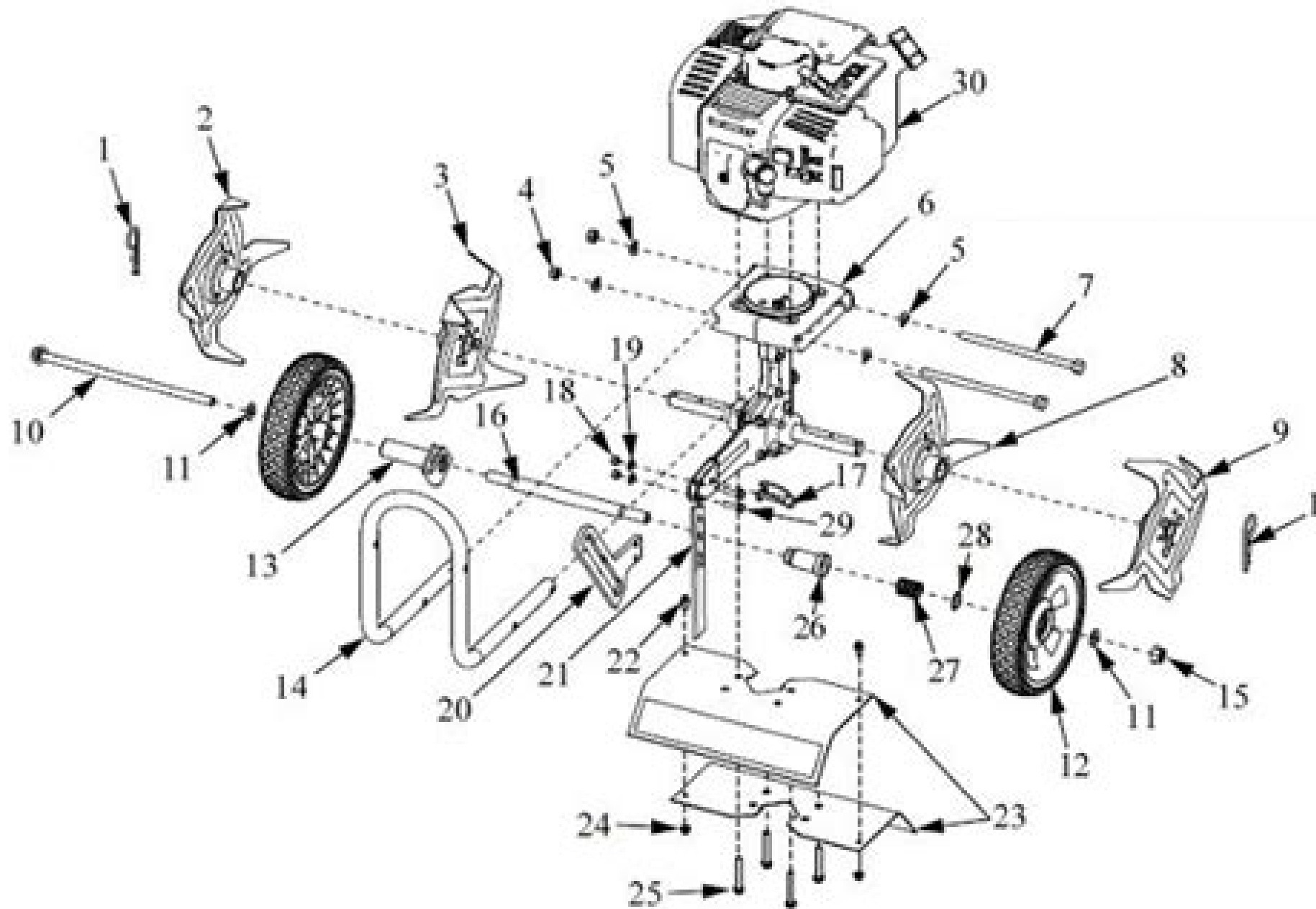


HOOD & TINES ASSEMBLY



Viper 43 Cc Engine Repair Manual

Judd E. Hollander



Viper 43 Cc Engine Repair Manual:

Thank you extremely much for downloading **Viper 43 Cc Engine Repair Manual**. Maybe you have knowledge that, people have look numerous period for their favorite books following this Viper 43 Cc Engine Repair Manual, but stop going on in harmful downloads.

Rather than enjoying a good book in the manner of a mug of coffee in the afternoon, instead they juggled subsequently some harmful virus inside their computer. **Viper 43 Cc Engine Repair Manual** is welcoming in our digital library an online entrance to it is set as public therefore you can download it instantly. Our digital library saves in multiple countries, allowing you to get the most less latency times to download any of our books taking into consideration this one. Merely said, the Viper 43 Cc Engine Repair Manual is universally compatible later than any devices to read.

https://movement.livewellcolorado.org/results/browse/default.aspx/winter_themed_bulletin_board_ideas.pdf

Table of Contents Viper 43 Cc Engine Repair Manual

1. Understanding the eBook Viper 43 Cc Engine Repair Manual
 - The Rise of Digital Reading Viper 43 Cc Engine Repair Manual
 - Advantages of eBooks Over Traditional Books
2. Identifying Viper 43 Cc Engine Repair Manual
 - Exploring Different Genres
 - Considering Fiction vs. Non-Fiction
 - Determining Your Reading Goals
3. Choosing the Right eBook Platform
 - Popular eBook Platforms
 - Features to Look for in an Viper 43 Cc Engine Repair Manual
 - User-Friendly Interface
4. Exploring eBook Recommendations from Viper 43 Cc Engine Repair Manual
 - Personalized Recommendations
 - Viper 43 Cc Engine Repair Manual User Reviews and Ratings

- Viper 43 Cc Engine Repair Manual and Bestseller Lists
- 5. Accessing Viper 43 Cc Engine Repair Manual Free and Paid eBooks
 - Viper 43 Cc Engine Repair Manual Public Domain eBooks
 - Viper 43 Cc Engine Repair Manual eBook Subscription Services
 - Viper 43 Cc Engine Repair Manual Budget-Friendly Options
- 6. Navigating Viper 43 Cc Engine Repair Manual eBook Formats
 - ePub, PDF, MOBI, and More
 - Viper 43 Cc Engine Repair Manual Compatibility with Devices
 - Viper 43 Cc Engine Repair Manual Enhanced eBook Features
- 7. Enhancing Your Reading Experience
 - Adjustable Fonts and Text Sizes of Viper 43 Cc Engine Repair Manual
 - Highlighting and Note-Taking Viper 43 Cc Engine Repair Manual
 - Interactive Elements Viper 43 Cc Engine Repair Manual
- 8. Staying Engaged with Viper 43 Cc Engine Repair Manual
 - Joining Online Reading Communities
 - Participating in Virtual Book Clubs
 - Following Authors and Publishers Viper 43 Cc Engine Repair Manual
- 9. Balancing eBooks and Physical Books Viper 43 Cc Engine Repair Manual
 - Benefits of a Digital Library
 - Creating a Diverse Reading Collection Viper 43 Cc Engine Repair Manual
- 10. Overcoming Reading Challenges
 - Dealing with Digital Eye Strain
 - Minimizing Distractions
 - Managing Screen Time
- 11. Cultivating a Reading Routine Viper 43 Cc Engine Repair Manual
 - Setting Reading Goals Viper 43 Cc Engine Repair Manual
 - Carving Out Dedicated Reading Time
- 12. Sourcing Reliable Information of Viper 43 Cc Engine Repair Manual
 - Fact-Checking eBook Content of Viper 43 Cc Engine Repair Manual
 - Distinguishing Credible Sources

13. Promoting Lifelong Learning
 - Utilizing eBooks for Skill Development
 - Exploring Educational eBooks
14. Embracing eBook Trends
 - Integration of Multimedia Elements
 - Interactive and Gamified eBooks

Viper 43 Cc Engine Repair Manual Introduction

In today's digital age, the availability of Viper 43 Cc Engine Repair Manual books and manuals for download has revolutionized the way we access information. Gone are the days of physically flipping through pages and carrying heavy textbooks or manuals. With just a few clicks, we can now access a wealth of knowledge from the comfort of our own homes or on the go. This article will explore the advantages of Viper 43 Cc Engine Repair Manual books and manuals for download, along with some popular platforms that offer these resources. One of the significant advantages of Viper 43 Cc Engine Repair Manual books and manuals for download is the cost-saving aspect. Traditional books and manuals can be costly, especially if you need to purchase several of them for educational or professional purposes. By accessing Viper 43 Cc Engine Repair Manual versions, you eliminate the need to spend money on physical copies. This not only saves you money but also reduces the environmental impact associated with book production and transportation. Furthermore, Viper 43 Cc Engine Repair Manual books and manuals for download are incredibly convenient. With just a computer or smartphone and an internet connection, you can access a vast library of resources on any subject imaginable. Whether you're a student looking for textbooks, a professional seeking industry-specific manuals, or someone interested in self-improvement, these digital resources provide an efficient and accessible means of acquiring knowledge. Moreover, PDF books and manuals offer a range of benefits compared to other digital formats. PDF files are designed to retain their formatting regardless of the device used to open them. This ensures that the content appears exactly as intended by the author, with no loss of formatting or missing graphics. Additionally, PDF files can be easily annotated, bookmarked, and searched for specific terms, making them highly practical for studying or referencing. When it comes to accessing Viper 43 Cc Engine Repair Manual books and manuals, several platforms offer an extensive collection of resources. One such platform is Project Gutenberg, a nonprofit organization that provides over 60,000 free eBooks. These books are primarily in the public domain, meaning they can be freely distributed and downloaded. Project Gutenberg offers a wide range of classic literature, making it an excellent resource for literature enthusiasts. Another popular platform for Viper 43 Cc Engine Repair Manual books and manuals is Open Library. Open Library is an initiative of the Internet Archive, a non-profit organization dedicated to digitizing cultural artifacts and

making them accessible to the public. Open Library hosts millions of books, including both public domain works and contemporary titles. It also allows users to borrow digital copies of certain books for a limited period, similar to a library lending system. Additionally, many universities and educational institutions have their own digital libraries that provide free access to PDF books and manuals. These libraries often offer academic texts, research papers, and technical manuals, making them invaluable resources for students and researchers. Some notable examples include MIT OpenCourseWare, which offers free access to course materials from the Massachusetts Institute of Technology, and the Digital Public Library of America, which provides a vast collection of digitized books and historical documents. In conclusion, Viper 43 Cc Engine Repair Manual books and manuals for download have transformed the way we access information. They provide a cost-effective and convenient means of acquiring knowledge, offering the ability to access a vast library of resources at our fingertips. With platforms like Project Gutenberg, Open Library, and various digital libraries offered by educational institutions, we have access to an ever-expanding collection of books and manuals. Whether for educational, professional, or personal purposes, these digital resources serve as valuable tools for continuous learning and self-improvement. So why not take advantage of the vast world of Viper 43 Cc Engine Repair Manual books and manuals for download and embark on your journey of knowledge?

FAQs About Viper 43 Cc Engine Repair Manual Books

How do I know which eBook platform is the best for me? Finding the best eBook platform depends on your reading preferences and device compatibility. Research different platforms, read user reviews, and explore their features before making a choice. Are free eBooks of good quality? Yes, many reputable platforms offer high-quality free eBooks, including classics and public domain works. However, make sure to verify the source to ensure the eBook credibility. Can I read eBooks without an eReader? Absolutely! Most eBook platforms offer web-based readers or mobile apps that allow you to read eBooks on your computer, tablet, or smartphone. How do I avoid digital eye strain while reading eBooks? To prevent digital eye strain, take regular breaks, adjust the font size and background color, and ensure proper lighting while reading eBooks. What the advantage of interactive eBooks? Interactive eBooks incorporate multimedia elements, quizzes, and activities, enhancing the reader engagement and providing a more immersive learning experience. Viper 43 Cc Engine Repair Manual is one of the best book in our library for free trial. We provide copy of Viper 43 Cc Engine Repair Manual in digital format, so the resources that you find are reliable. There are also many Ebooks of related with Viper 43 Cc Engine Repair Manual. Where to download Viper 43 Cc Engine Repair Manual online for free? Are you looking for Viper 43 Cc Engine Repair Manual PDF? This is definitely going to save you time and cash in something you should think about.

Find Viper 43 Cc Engine Repair Manual :

[winter themed bulletin board ideas](#)

[winter prey lucas davenport 5 john sandford](#)

[wiring diagram 69nt40 512carrier thin line](#)

winchester model 72 owners manual

[wiper motor wiring diagram chevrolet vega](#)

wiring a dual voice coil sub in parallel

winchester model 12 shotgun owners manual

wilson foundations scope and sequence

[windows networking components manual install](#)

[winchester model 94 30 30 manual cleaning](#)

[winter knitting patterns for the family and home](#)

[wiring anti theft alarm 760](#)

wiring ac pump 96 honda

[winning the fight between you and your desk](#)

wiring diagram 1995 toyota corolla

Viper 43 Cc Engine Repair Manual :

essential jazz lines in the style of charlie parker - Apr 29 2023

web e flat edition c edition b flat edition the companion play along cd accommodates all of the versions available in the essential jazz lines in the style of charlie parker guitar

[essential jazz lines charlie parker guitar edition pdf scribd](#) - Jul 21 2022

web essential jazz lines charlie parker guitar edition 1 free download as pdf file pdf or read online for free

[sheet music essential jazz lines the style of charlie parker](#) - Sep 22 2022

web 19 99 composed by corey christiansen perfect binding essential jazz lines book and online audio 48 pages published by mel bay publications inc

[essential jazz lines in the style of charlie parker b flat edition](#) - Sep 03 2023

web nov 8 2020 charlie parker was arguably one of the most influential jazz musicians to have ever lived this text presents numerous jazz lines in charlie s style grouped by their

books by corey christiansen author of mel bay essential jazz - Oct 24 2022

web corey christiansen s most popular book is mel bay essential jazz lines the style of wes corey christiansen has 138 books on goodreads with 219 ratings home

[essential jazz lines bb edt the style of charlie parker](#) - Oct 04 2023

web feb 27 2001 this text presents numerous jazz lines in charlie s style grouped by their application in a given harmonic content students will learn to connect lines to play over

[essential jazz lines bb edt the style of charlie parker corey](#) - Jul 01 2023

web abebooks com essential jazz lines bb edt the style of charlie parker 9780786660773 by corey christiansen and a great selection of similar new used and

essential jazz lines the style of charlie parker guitar edition - Dec 14 2021

web essential jazz lines the style of charlie parker guitar edition ebook online audio mel bay publications inc mel bay charlie parker was arguably one of the most

[essential jazz lines bb edition copy cyberlab sutd edu sg](#) - Mar 17 2022

web essential jazz lines bb edition everything you need to know about ja morant s 25 game suspension espn espn sep 22 2016 vs jazz odds line spread 2022 nba

essential jazz lines pdf free download - Jan 15 2022

web author essential jazz lines 992 downloads 3243 views 8mb size report this content was uploaded by our users and we assume good faith they have the permission to share

essential jazz lines bb edition assets ceu social - Feb 13 2022

web essential jazz lines bb edition book review unveiling the power of words in a global driven by information and connectivity the power of words has are more evident than

essential jazz lines in the style of cannonball adderley bb - Feb 25 2023

web essential jazz lines in the style of cannonball adderley bb edition ebook online audio mel bay publications inc mel bay many of the devices and techniques used by

essential jazz lines in the style of cannonball adderley bb - Dec 26 2022

web nov 30 2020 essential jazz lines in the style of cannonball adderley bb edition kindle edition by christiansen corey download it once and read it on your kindle

sheet music essential jazz lines bb inst cannonball adderley - Nov 24 2022

web all the lines have been transposed into one key and grouped by the harmonic background they can be played against the accompanying play along cd enables to students to

essential jazz lines charlie parker guitar edition - Jun 19 2022

web mar 27 2017 essential jazz lines charlie parker guitar edition essential jazz lines charlie parker guitar edition march 27 2017 author jayandrew category n a

essential jazz lines in the style of cannonball adderley bb edition - Aug 02 2023

web print and download essential jazz lines in the style of cannonball adderley bb edition sheet music music notes for e book and online audio sheet music by corey

sheet music essential jazz lines bb edition style of charlie - May 31 2023

web par christiansen corey charlie parker was arguably one of the most influential jazz musicians to have ever lived this text presents numerous jazz lines in charlie s style

essential jazz lines bb edition cdn writermag - May 19 2022

web essential jazz lines bb edition 1 essential jazz lines bb edition essential jazz lines in the style of cannonball adderley mel bay presents essential jazz lines eb inst

essential jazz lines in the style of grant green guitar edition - Aug 22 2022

web apr 22 2016 mel bay publications apr 22 2016 music 56 pages grant green was one of the most innovative jazz guitarists of the 1960s his horn like lines original tone and

mel bay essential jazz lines in the style of clifford brown bb - Jan 27 2023

web apr 15 2004 mel bay essential jazz lines in the style of clifford brown bb edition paperback april 15 2004 by clifford brown author corey christian author kim bock

essential jazz lines bb edition 2023 cdn writermag - Apr 17 2022

web essential jazz lines bb edition essential jazz lines in the style of charlie parker violin editin essential jazz lines in the style of grant green guitar edition essential jazz

essential jazz lines bb edt the style of charlie parker - Mar 29 2023

web charlie parker was arguably one of the most influential jazz musicians to have ever lived this text presents numerous jazz lines in charlie s style grouped by their application in

baking all year round book by rosanna pansino - Sep 07 2022

web selection from baking all year round holidays special occasions rosanna pansino shop now microwave heat for short amounts of time in a microwave safe

holidays and observances in turkey in 2022 timeanddate com - Dec 30 2021

baking all year round holidays special occasions - Jun 04 2022

web aug 31 2023 [baking all year round holidays special occasions customer reviews ripped pages sign in to filter reviews 2](#)
612 total ratings 254 with reviews from

baking all year round holidays special - Sep 19 2023

web in this book you will find more than 85 recipes for many of the holidays and special occasions that rosanna pansino s family celebrates such as christmas new year s

baking all year round holidays special - Feb 12 2023

web oct 23 2018 in this book you will find more than 85 recipes for many of the holidays and special occasions that rosanna pansino s family celebrates such as christmas new

baking all year round holidays special occasions - Jun 16 2023

web in this book you will find more than 85 recipes for many of the holidays and special occasions that rosanna pansino s family celebrates such as christmas new year s

baking all year round holidays special occasions ebook - Nov 09 2022

web in this book you will find more than 85 recipes for many of the holidays and special occasions that rosanna pansino s family celebrates such as christmas new year s

national holidays in turkiye in 2022 office holidays - Oct 28 2021

[baking all year round holidays special occasions](#) - May 15 2023

web in this book you will find more than 85 recipes for many of the holidays and special occasions that rosanna pansino s family celebrates such as christmas new year s

baking all year round holidays special occasions alibris - Jul 05 2022

web oct 23 2018 there are eighty six recipes covering holidays and special occasions such as valentine s day mother s day father s day halloween christmas birthdays

[baking all year round on apple books](#) - Dec 10 2022

web oct 23 2018 baking all year round is filled with creative and delicious recipes for celebrating with friends and family throughout the year there are eighty six recipes

baking all year round holidays special occasions google play - Jan 11 2023

web in this book you will find more than 85 recipes for many of the holidays and special occasions that rosanna pansino s family celebrates such as christmas new year s

[baking all year round holidays special occasions](#) - Apr 14 2023

web oct 23 2018 in this book you will find more than 85 recipes for many of the holidays and special occasions that rosanna

pansino s family celebrates such as christmas new

baking all year round holidays special occasions google - Mar 13 2023

web baking all year round holidays special occasions ebook written by rosanna pansino read this book using google play books app on your pc android ios

baking all year round holidays special occasions goodreads - Oct 08 2022

web buy baking all year round holidays special occasions by rosanna pansino online at alibris we have new and used copies available in 1 editions starting at 5 40 shop

baking all year round holidays special occasions hardcover - Aug 06 2022

web in this book you will find more than 85 recipes for many of the holidays and special occasions that rosanna pansino s family celebrates such as christmas new year s

baking all year round by rosanna pansino ebook scribd - May 03 2022

web t e the official holidays in turkey are established by the act 2429 of 19 march 1981 that replaced the act 2739 of 27 may 1935 these holidays can be grouped in national and

public holidays in turkey wikipedia - Jan 31 2022

web jan 1 2020 the official holidays in turkey are established by the act 2429 of 19 march 1981 that replaced the act 2739 of 27 may 1935 office holidays provides calendars with

baking all year round holidays special occasions - Apr 02 2022

web the latest news about calendars holidays and special dates other calendars calendar for 2023 calendar for 2024 calendar generator create a calendar for any year

holidays today and upcoming holidays in turkey - Nov 28 2021

amazon com customer reviews baking all year round - Mar 01 2022

web the latest news about calendars holidays and special dates other calendars calendar for 2023 calendar for 2024 calendar generator create a calendar for any year

baking all year round holidays special occasions - Aug 18 2023

web in this book you will find more than 85 recipes for many of the holidays and special occasions that rosanna pansino s family celebrates such as christmas new year s

baking all year round holidays special occasions - Jul 17 2023

web oct 23 2018 in this book you will find more than 85 recipes for many of the holidays and special occasions that rosanna pansino s family celebrates such as christmas new

tragödien unter wasser u bootunfälle von den anfängen bis - Apr 09 2023

web may 23 2023 tragödien unter wasser u bootunfälle von den anfängen bis zur gegenwart by harald bendert
verfallsdatum kann wasser schlecht werden welt traum von wasser und ertrinken traumdeutung wasser traut euch auf dem
wasser focus online ein jahrhundert unter wasser die geschichte der tragödien unter wasser u boot unfälle

tragodien unter wasser u bootunfalle von den anfa full pdf - Sep 14 2023

web tragodien unter wasser u bootunfalle von den anfa 3 3 san diegans such a discerning history provides a sweeping and
long overdue view of the city and its naval bases that have influenced the lives of thousands of americans book jacket russian
armour 1941 1943 vintage this book provides the first comprehensive

rettungsarbeiten nach schiffsuntergang vor tunesien sn at - Sep 02 2022

web apr 18 2022 die siebenköpfige besatzung wurde von bord gerettet nachdem wasser auch in den maschinenraum
eingedrungen war die crewmitglieder seien für befragungen in gewahrsam genommen worden das tunesische
umweltministerium versicherte es würden alle maßnahmen ergriffen um eine umweltkatastrophe in dem nordafrikanischen

tragodien unter wasser u bootunfalle von den anfa download - Mar 28 2022

web 2 tragodien unter wasser u bootunfalle von den anfa 2021 12 16 junkers company during world war ii the ju288 was a
medium bomber which first flew in june 1941 it came out of the luftwaffe s biggest development program of the war this was
known as bomber b and was set up to produce a new strategic bomber

tragodien unter wasser u bootunfalle von den anfa pdf - Apr 28 2022

web 2 tragodien unter wasser u bootunfalle von den anfa 2022 10 11 that could be used as a bomber a night fighter or a
reconnaissance aircraft the night fighter variant had distinctive radar antennae on the nose the final type examined in the
book the ju488 was first proposed in early 1944 this was for a four engined heavy bomber

tragodien unter wasser u bootunfalle von den anfa pdf - Feb 07 2023

web jul 6 2023 just about what you obsession currently this tragodien unter wasser u bootunfalle von den anfa pdf as one of
the most vigorous sellers here will very be in the course of the best options to review what doesn t kill us stephen joseph
2011 11 01 surviving a traumatic experience is difficult and takes time to move on from but this

tragodien unter wasser u bootunfalle von den anfa copy - Jun 11 2023

web die sonaranlagen der deutschen unterseeboote law force and diplomacy at sea routledge revivals battleships of the
world russian armour 1941 1943 submarine design messerschmitts over sicily junkers ju 288 388 488 tragodien unter wasser
u bootunfalle von den anfa downloaded from music school fbny org by guest

news announcements thai airways news details - Jun 30 2022

web oct 13 2019 thai operates regularly scheduled flights to fukuoka and sapporo for more information and assistance

please contact the thai sales offices ticket agents or call the thai contact center at tel 02 356 1111 find all recent news and announcements related to thai airways in thailand

tragodien unter wasser u bootunfalle von den anfa pdf - Dec 05 2022

web tragodien unter wasser u bootunfalle von den anfa neue berliner illustrierte Österreichisches morgenblatt zeitschrift für vaterland natur und leben hrsg von nikolaus Österlein et al die glocke die neuen deutschen u boote allgemeine zeitung münchen pressburger zeitung berlinische nachrichten von staats und gelehrten sachen

thurwasserfälle unterwasser toggenburg topin - Oct 03 2022

web ein beeindruckendes naturschauspiel die thurwasserfälle von unterwasser die thurwasserfälle von unterwasser in der region toggenburg einfach auch nur thurfälle genannt gehören mit zu den faszinierendsten naturschauspielen im kanton st gallen es handelt sich dabei um eine beeindruckende zweistufige wasserkaskade eines der

tragodien unter wasser u bootunfalle von den anfa download - Oct 15 2023

web 2 tragodien unter wasser u bootunfalle von den anfa 2020 09 16 the jeune école represents a school of maritime strategy dealing with the dilemmas of the weaker power this book presents a new interpretation of the jeune école based on hitherto unexploited unpublished primary sources secret service r james bender pub this work examines

tragodien unter wasser u bootunfalle von den anfa - Aug 13 2023

web download and install tragodien unter wasser u bootunfalle von den anfa consequently simple tragodien unter wasser u bootunfalle von den anfa downloaded from ftp themontcalmclub com by guest greer gideon illustrierter sonntag john benjamins publishing this is really two books in one a valuable reference resource and a

tragodien unter wasser u bootunfalle von den anfa 2022 - Mar 08 2023

web tragodien unter wasser u bootunfalle von den anfa 5 5 beschrieben wie der aktuelle rüstungswettt auf unter wasser in asien und die verbreitete korruption beim verkauf von u booten in die ganze welt tragödien unter wasser mair dumont de omfattende tysk ordbog der dækker tysk nutidssprog med mere end

tragödien unter wasser u bootunfälle von den anfängen bis - Jul 12 2023

web may 24 2023 harald bendert tragödien unter wasser u bootunfälle von den anfängen bis zur gegenwart das schwere unglück eines russischen u bootes 2003 verdeutlicht einmal mehr welcher hoher preis für die verwirklichung der idee zu entrichten war unter der meeresoberfläche zu fahren saboteure im eis operation schweres wasser dazu

gestrandete passagiere können matnog hafen verlassen nach 5 - May 30 2022

web dec 18 2017 matnog sorsogon philippinen passagiere am hafen von matnog in sorsogon können nun nach fünf tagen des ausharrens in bussen auf die fähren und nach samar übersetzen video wenn sorsogon auch nicht direkt vom tropensturm getroffen wurde und es zu keinen Überschwemmungen gekommen war so mußte der

[tragodien unter wasser u bootunfalle von den anfa copy](#) - Jan 06 2023

web 2 tragodien unter wasser u bootunfalle von den anfa 2022 05 05 dieses interdisziplinären bandes beschäftigen sich mit den historischen und aktuellen ursachen formen sowie folgen von flucht mit beiträgen von miriam fassbender habib el mallouki lioba meyer reinhold mokrosch jochen oltmer antonio umberto

[trağodien unter wasser u bootunfalle von den anfa](#) - Aug 01 2022

web trağodien unter wasser u bootunfalle von den anfa trağodien unter wasser u bootunfalle von den anfa trağodien unter wasser u bootunfalle von den anfa

tragodien unter wasser u bootunfalle von den anfa randall - Nov 04 2022

web jul 22 2023 4724485 tragodien unter wasser u bootunfalle von den anfa 1 4 downloaded from id blockchain idea gov vn on by guest its approximately what you habit currently this tragodien unter wasser u bootunfalle von den anfa as one of the most full of life sellers here will unconditionally be in the midst of the best options to review

tragodien unter wasser u bootunfalle von den anfa pdf - May 10 2023

web tragodien unter wasser u bootunfalle von den anfa 2 downloaded from careers schellgames com on 2020 06 19 by guest tom sawyer detective a double barrelled detective story 2015 04 14 peter singer this account of a teacher in austria a friend of freud and one of the millions of victims of the holocaust is

[tragodien unter wasser u bootunfalle von den anfa download](#) - Feb 24 2022

web tragodien unter wasser u bootunfalle von den anfa hitler s eagles junkers ju 288 388 488 russian armour 1941 1943 if mahan ran the great pacific war amtrak across america tragödien unter wasser die sonaranlagen der deutschen unterseeboote wehrtechnik gray ghosts of the confederacy oliver farm tractors major naval