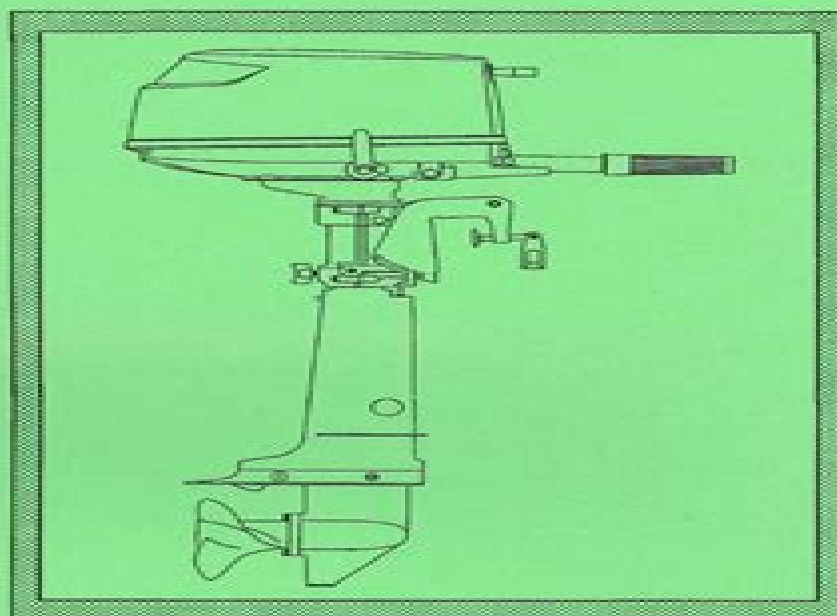


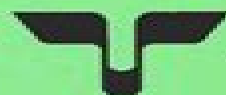
TOHATSU
OUTBOARD



**SERVICE
MANUAL**

4-Stroke Cycle

5



TOHATSU CORPORATION

Tohatsu 15 Hp Service Manual

JG Myers



Tohatsu 15 Hp Service Manual:

Outboard Motor Service Manual Intertec Publishing,1987 Detailed tips on periodic servicing troubleshooting general maintenance and repair are explicitly outlined in this manual Repair is easy with the specifications and step by step repair procedures included for hundreds of models Volume II covers models with 30hp and above **Outboard Engines** Edwin R. Sherman,1997 *Outboard Engines* fills the gap between owner s manuals that don t even tell you how to change a spark plug and professional shop manuals that detail how to do a complete rebuild It covers basic principles and techniques for a wide variety of outboards four stroke as well as two stroke with the emphasis on maintenance and advanced troubleshooting Ed Sherman s clear explanations and diagrams take you step by step through the basics and beyond helping you track down even the most elusive problems a modern outboard can throw in your way his methodical approach can save you a world of frustration and peril as well as time and a half weekend mechanics charges **Atlantic Fisherman** ,1984-12 *Lakeland Boating* ,1989 *American Book Publishing Record* ,1992 **Cruising World** ,1995-01 **Diver** ,1985 Seloc Nissan/Tohatsu Outboards 1992-09 Repair Manual (Seloc) Seloc,2010 Covers all 2 140 HP 2 stroke and 4 stroke engines including EFI TLDI Front cover Tohatsu 2-Stroke OB 92-00 Penton Staff,2000-05-24 2 5 HP 3 5 HP 5 HP 8 HP 9 8 HP 9 9 HP 15 HP 18 HP 25 HP 30 HP 40 HP 50 HP 60 HP 70 HP 80 HP 90 HP 115 HP 120 HP 140 HP **Tohatsu Outboard Motor** ,1984 *Shop Manual* Tokyo Hatsudoki Co., Ltd,19?? **Shop Manual** Tokyo Hatsudoki Co., Ltd,19?? *Tohatsu Outboard Motor, M5A2, M3.5A* ,1981 **Evinrude 1 1/2 to 40 Hp. Outboard Motor Service Manual** ,1976 Evinrude 50 to 135 Hp. Outboard Motor Service Manual Outboard Marine Corporation. Evinrude Motors Division,1976 Evinrude Service Manual, 1975 Outboard Marine Corporation. Evinrude Motors Division,1974 *Outboard motor service manual* ,1987 Outboard Motor Service Manual Evinrude Motors,1956 *Evinrude Service Manual, 1976* Outboard Marine Corporation. Evinrude Motors Division,1975 **Evinrude Outboard Motor Service Manual** Evinrude Motors. Service Division,1956

Yeah, reviewing a book **Tohatsu 15 Hp Service Manual** could grow your close links listings. This is just one of the solutions for you to be successful. As understood, achievement does not suggest that you have astonishing points.

Comprehending as well as treaty even more than further will give each success. neighboring to, the publication as well as perspicacity of this Tohatsu 15 Hp Service Manual can be taken as capably as picked to act.

<https://movement.livewellcolorado.org/public/book-search/HomePages/Sullair%20375%20Parts%20Manual.pdf>

Table of Contents Tohatsu 15 Hp Service Manual

1. Understanding the eBook Tohatsu 15 Hp Service Manual
 - The Rise of Digital Reading Tohatsu 15 Hp Service Manual
 - Advantages of eBooks Over Traditional Books
2. Identifying Tohatsu 15 Hp Service Manual
 - Exploring Different Genres
 - Considering Fiction vs. Non-Fiction
 - Determining Your Reading Goals
3. Choosing the Right eBook Platform
 - Popular eBook Platforms
 - Features to Look for in an Tohatsu 15 Hp Service Manual
 - User-Friendly Interface
4. Exploring eBook Recommendations from Tohatsu 15 Hp Service Manual
 - Personalized Recommendations
 - Tohatsu 15 Hp Service Manual User Reviews and Ratings
 - Tohatsu 15 Hp Service Manual and Bestseller Lists
5. Accessing Tohatsu 15 Hp Service Manual Free and Paid eBooks
 - Tohatsu 15 Hp Service Manual Public Domain eBooks
 - Tohatsu 15 Hp Service Manual eBook Subscription Services

-
- Tohatsu 15 Hp Service Manual Budget-Friendly Options
6. Navigating Tohatsu 15 Hp Service Manual eBook Formats
 - ePub, PDF, MOBI, and More
 - Tohatsu 15 Hp Service Manual Compatibility with Devices
 - Tohatsu 15 Hp Service Manual Enhanced eBook Features
 7. Enhancing Your Reading Experience
 - Adjustable Fonts and Text Sizes of Tohatsu 15 Hp Service Manual
 - Highlighting and Note-Taking Tohatsu 15 Hp Service Manual
 - Interactive Elements Tohatsu 15 Hp Service Manual
 8. Staying Engaged with Tohatsu 15 Hp Service Manual
 - Joining Online Reading Communities
 - Participating in Virtual Book Clubs
 - Following Authors and Publishers Tohatsu 15 Hp Service Manual
 9. Balancing eBooks and Physical Books Tohatsu 15 Hp Service Manual
 - Benefits of a Digital Library
 - Creating a Diverse Reading Collection Tohatsu 15 Hp Service Manual
 10. Overcoming Reading Challenges
 - Dealing with Digital Eye Strain
 - Minimizing Distractions
 - Managing Screen Time
 11. Cultivating a Reading Routine Tohatsu 15 Hp Service Manual
 - Setting Reading Goals Tohatsu 15 Hp Service Manual
 - Carving Out Dedicated Reading Time
 12. Sourcing Reliable Information of Tohatsu 15 Hp Service Manual
 - Fact-Checking eBook Content of Tohatsu 15 Hp Service Manual
 - Distinguishing Credible Sources
 13. Promoting Lifelong Learning
 - Utilizing eBooks for Skill Development
 - Exploring Educational eBooks
 14. Embracing eBook Trends

-
- Integration of Multimedia Elements
 - Interactive and Gamified eBooks

Tohatsu 15 Hp Service Manual Introduction

In the digital age, access to information has become easier than ever before. The ability to download Tohatsu 15 Hp Service Manual has revolutionized the way we consume written content. Whether you are a student looking for course material, an avid reader searching for your next favorite book, or a professional seeking research papers, the option to download Tohatsu 15 Hp Service Manual has opened up a world of possibilities. Downloading Tohatsu 15 Hp Service Manual provides numerous advantages over physical copies of books and documents. Firstly, it is incredibly convenient. Gone are the days of carrying around heavy textbooks or bulky folders filled with papers. With the click of a button, you can gain immediate access to valuable resources on any device. This convenience allows for efficient studying, researching, and reading on the go. Moreover, the cost-effective nature of downloading Tohatsu 15 Hp Service Manual has democratized knowledge. Traditional books and academic journals can be expensive, making it difficult for individuals with limited financial resources to access information. By offering free PDF downloads, publishers and authors are enabling a wider audience to benefit from their work. This inclusivity promotes equal opportunities for learning and personal growth. There are numerous websites and platforms where individuals can download Tohatsu 15 Hp Service Manual. These websites range from academic databases offering research papers and journals to online libraries with an expansive collection of books from various genres. Many authors and publishers also upload their work to specific websites, granting readers access to their content without any charge. These platforms not only provide access to existing literature but also serve as an excellent platform for undiscovered authors to share their work with the world. However, it is essential to be cautious while downloading Tohatsu 15 Hp Service Manual. Some websites may offer pirated or illegally obtained copies of copyrighted material. Engaging in such activities not only violates copyright laws but also undermines the efforts of authors, publishers, and researchers. To ensure ethical downloading, it is advisable to utilize reputable websites that prioritize the legal distribution of content. When downloading Tohatsu 15 Hp Service Manual, users should also consider the potential security risks associated with online platforms. Malicious actors may exploit vulnerabilities in unprotected websites to distribute malware or steal personal information. To protect themselves, individuals should ensure their devices have reliable antivirus software installed and validate the legitimacy of the websites they are downloading from. In conclusion, the ability to download Tohatsu 15 Hp Service Manual has transformed the way we access information. With the convenience, cost-effectiveness, and accessibility it offers, free PDF downloads have become a popular choice for students, researchers, and book lovers worldwide. However, it is crucial to engage in ethical downloading practices and prioritize personal security when utilizing online platforms. By

doing so, individuals can make the most of the vast array of free PDF resources available and embark on a journey of continuous learning and intellectual growth.

FAQs About Tohatsu 15 Hp Service Manual Books

What is a Tohatsu 15 Hp Service Manual PDF? A PDF (Portable Document Format) is a file format developed by Adobe that preserves the layout and formatting of a document, regardless of the software, hardware, or operating system used to view or print it. **How do I create a Tohatsu 15 Hp Service Manual PDF?** There are several ways to create a PDF: Use software like Adobe Acrobat, Microsoft Word, or Google Docs, which often have built-in PDF creation tools. **Print to PDF:** Many applications and operating systems have a "Print to PDF" option that allows you to save a document as a PDF file instead of printing it on paper. **Online converters:** There are various online tools that can convert different file types to PDF. **How do I edit a Tohatsu 15 Hp Service Manual PDF?** Editing a PDF can be done with software like Adobe Acrobat, which allows direct editing of text, images, and other elements within the PDF. Some free tools, like PDFescape or Smallpdf, also offer basic editing capabilities. **How do I convert a Tohatsu 15 Hp Service Manual PDF to another file format?** There are multiple ways to convert a PDF to another format: Use online converters like Smallpdf, Zamzar, or Adobe Acrobat's export feature to convert PDFs to formats like Word, Excel, JPEG, etc. Software like Adobe Acrobat, Microsoft Word, or other PDF editors may have options to export or save PDFs in different formats. **How do I password-protect a Tohatsu 15 Hp Service Manual PDF?** Most PDF editing software allows you to add password protection. In Adobe Acrobat, for instance, you can go to "File" -> "Properties" -> "Security" to set a password to restrict access or editing capabilities. **Are there any free alternatives to Adobe Acrobat for working with PDFs?** Yes, there are many free alternatives for working with PDFs, such as: LibreOffice: Offers PDF editing features. PDFsam: Allows splitting, merging, and editing PDFs. Foxit Reader: Provides basic PDF viewing and editing capabilities. **How do I compress a PDF file?** You can use online tools like Smallpdf, ILovePDF, or desktop software like Adobe Acrobat to compress PDF files without significant quality loss. Compression reduces the file size, making it easier to share and download. **Can I fill out forms in a PDF file?** Yes, most PDF viewers/editors like Adobe Acrobat, Preview (on Mac), or various online tools allow you to fill out forms in PDF files by selecting text fields and entering information. **Are there any restrictions when working with PDFs?** Some PDFs might have restrictions set by their creator, such as password protection, editing restrictions, or print restrictions. Breaking these restrictions might require specific software or tools, which may or may not be legal depending on the circumstances and local laws.

Find Tohatsu 15 Hp Service Manual :

sullair 375 parts manual

sudden death overtime a story of hockey and vampires

sunbeam 27509 vacuums owners manual

sue jones erlenbusch memorial day answers

sumario manual analisis cuentas anuales

suffix ed poems

substitute love english edition

summit ff1274tb refrigerators owners manual

sullair 750 technical manual

sullivan palatek d210 air compressor manual

sullivan palatek manual

successful businessman how to be a successful businessman

such a nice guy english edition

summer letters from teachers to students

sunbeam tiger service manual

Tohatsu 15 Hp Service Manual :

cuadernos de osteopatia tomo 12 - May 31 2022

web representa el reflejo de la vasta experiencia del autor el espejo de los cursos que imparte en la escuela de osteopatia de madrid y el complemento de varios libros el tomo ii

cuadernos de osteopatia tomo 12 pdf free voto uncal edu - Dec 06 2022

web artistry an mental sojourn through cuadernos de osteopatia tomo 12 pdf in some sort of inundated with displays and the cacophony of immediate transmission the profound

cuadernos de osteopatia tomo 12 by francisco fajardo ruiz - May 11 2023

web descargar libro cuadernos de osteopatia tomo 12 autor cuadernos de osteopatia tomo 8 nmops libro osteopatia el mejor producto de 2019 opiniones pdf download

cuadernos de osteopatia tomo 12 pdf uniport edu - Nov 05 2022

web jul 3 2023 cuadernos de osteopatia tomo 12 below a self study grammar book for engineers mónica soler i lorente 2005

12 a self study grammar book for engineers és

cuadernos de osteopatía tomo 12 pdf uniport edu - Oct 04 2022

web mar 16 2023 cuadernos de osteopatía tomo 12 1 8 downloaded from uniport edu ng on march 16 2023 by guest

cuadernos de osteopatía tomo 12 this is likewise one of the

tratado de osteopatía pdf pdf scribd - Feb 25 2022

web 100 12 100 encontró este documento útil 12 votos 4k vistas 320 páginas información del documento hacer clic para expandir la información del documento

cuadernos de osteopatía tomo 12 pdf wrbb neu - Apr 10 2023

web cuadernos de osteopatía tomo 12 1 cuadernos de osteopatía tomo 12 getting the books cuadernos de osteopatía tomo 12 now is not type of inspiring means you

cuadernos de osteopatía tomo 12 uniport edu - Aug 02 2022

web jul 7 2023 cuadernos de osteopatía tomo 12 1 8 downloaded from uniport edu ng on july 7 2023 by guest cuadernos de osteopatía tomo 12 this is likewise one of the

cuadernos de osteopatía tomo 12 tapa blanda 1 marzo 2013 - Aug 14 2023

web cuadernos de osteopatía tomo 12 fajardo ruiz francisco amazon es libros saltar al contenido principal es hola elige tu dirección libros es hola identifícate cuenta y

cuadernos de osteopatía tomo 12 f fajardo ruiz - Jul 13 2023

web comprar libro cuadernos de osteopatía tomo 12 f fajardo ruiz en la casa del masajista

osteopatía ujaen es - Dec 26 2021

web osteopatía situación actual zestados unidos zlicenciatura 19 universidades z4 años z1º y 2º ciencias básicas z3º y 4º especialización trabajo clínico zgraduación z1 año

cuadernos de osteopatía tomo 12 copy uniport edu - Apr 29 2022

web cuadernos de osteopatía tomo 12 1 7 downloaded from uniport edu ng on april 20 2023 by guest cuadernos de osteopatía tomo 12 this is likewise one of the factors by

cuadernos de osteopatía tomo 5 tapa blanda 21 marzo 2013 - Oct 24 2021

web esta colección recoge los grandes avances aparecidos en el campo de la osteopatía y terapia manual en los últimos años Útil recomendable estimulante y de enorme valor

cuadernos de osteopatía tomo 12 help environment harvard edu - Jul 01 2022

web pronouncement as skillfully as keenness of this cuadernos de osteopatía tomo 12 can be taken as without difficulty as picked to act libros españoles en venta 1994 trigger

cuadernos de osteopatía 2 fajardo pdf scribd - Nov 24 2021

web guardar guardar cuadernos de osteopatía 2 fajardo para más tarde 0 calificaciones 0 encontró este documento útil 0 votos 864 vistas 108 páginas cuadernos de

cuadernos de osteopatía tomo 12 pdf uniport edu - Jan 07 2023

web apr 4 2023 autor el espejo de los cursos que imparte en la escuela de osteopatía de madrid y el complemento de varios libros el tomo ii dedicado al sistema digestivo

pdf cuadernos de osteopatía tomo 12 - Mar 09 2023

web cuadernos de osteopatía tomo 12 host bibliographic record for boundwith item barcode 30112044669122 and others jun 12 2022 trigger point self care manual

colección cuadernos de osteopatía tomos 1 a 12 - Jun 12 2023

web nos complace presentar la colección cido de cuadernos de osteopatía dedicada a la explosión monográfica de las materias osteopáticas más importantes

cuadernos de osteopatía tomo 12 pdf ci kubesail - Feb 08 2023

web cuadernos de osteopatía tomo 12 5 5 incluye nuevas imágenes radiográficas basadas en los estándares de posicionamiento que describen cada una de las posiciones y

ortopedi tip notları - Jan 27 2022

web ortopedi pdf ders notları kitabını aşağıdaki linkten okuyabilir ve bilgisayarınıza indirebilirsiniz ortopedi

cuadernos de osteopatía tomo 12 by francisco fajardo ruiz - Sep 22 2021

web jun 19 2023 cuadernos de osteopatía tomo 12 by francisco fajardo ruiz tratado de osteopatía visceral y medicina interna sistema fisiología articular kapandji cuadernos

cuadernos de osteopatía tomo 12 old restorativejustice org - Mar 29 2022

web cuadernos de osteopatía tomo 12 cuadernos de osteopatía tomo 12 2 downloaded from old restorativejustice org on 2022 11 09 by guest illnesses brought on by the slow

cuadernos de osteopatía tomo 12 pqr uiaf gov co - Sep 03 2022

web cuadernos de osteopatía tomo 12 is available in our book collection an online access to it is set as public so you can get it instantly our books collection spans in multiple

review of natural resource and environmental economics by - Jan 08 2023

web utilizes basic concepts of economics and finance to explain the relationship of the economy to the ecosystem seeing the ecosystem as imposing biophysical constraints on

natural resource and environmental economics prato tony - Jul 02 2022

web utilizes basic concepts of economics and finance to explain the relationship of the economy to the ecosystem seeing the ecosystem as imposing biophysical uh oh it looks like
natural resource and environmental economics tony prato - Oct 25 2021

natural resource and environmental economics - May 12 2023

web natural resource and environmental economics tony prato hardcover 978 0 813 82938 8 may 1999 print on demand 105 00 description utilizes basic concepts of

tony prato professor emeritus ph d agricultural economics - Feb 26 2022

web this upper division or beginning graduate level text addresses the economics of a broad range of natural resource and environmental issues in a style suitable for a wide range

natural resource and environmental economics hardcover - Nov 06 2022

web dr tony prato is professor of resource economics and management and director of the center for agricultural resource and environmental systems at the university of

natural resource and environmental economics by t prato - Apr 30 2022

web natural resource and environmental economics by prato tony and a great selection of related books art and collectibles available now at abebooks co uk

natural resource environmental economics by prato tony - Mar 30 2022

web this study assesses economic and environmental impacts of uses of woody draws small natural drainage areas covered by trees and shrubs in agricultural landscapes three

natural resource and environmental economics by tony prato - Mar 10 2023

web natural resource and environmental economics author tony prato summary utilizes basic concepts of economics and finance to explain the relationship of the economy to

natural resource and environmental economics wiley - Aug 15 2023

web may 12 1999 dr tony prato is professor of resource economics and management and director of the center for agricultural resource and environmental systems at the

natural resource and environmental economics epub - Jul 14 2023

web natural resource and environmental economics tony prato is professor of resource economics and director of the center for agricultural resource and

natural resource and environmental economics by tony prato - Dec 07 2022

web utilizes basic concepts of economics and finance to explain the relationship of the economy to the ecosystem seeing the

ecosystem as imposing biophysical constraints on

wiley natural resource and environmental economics 978 0 813 - Apr 11 2023

web jul 16 2023 natural resource and environmental economics by tony prato 1998 iowa state university press edition in english 1st ed 1998

natural resource and environmental economics prato tony - Aug 03 2022

web may 12 1999 natural resource and environmental economics prato tony 9780813829388 books amazon ca

natural resource and environmental economics worldcat org - Feb 09 2023

web natural resource and environmental economics tony prato ames iowa state university press 1998 xiii 344 pp figures tables notes refer ences index 49 95

natural resource and environmental economics tony prato - Nov 25 2021

web environmental economics tony prato by online you might not require more mature to spend to go to the ebook foundation as without difficulty as search for them in some

review of natural resource and environmental economics by - Jan 28 2022

web find many great new used options and get the best deals for natural resource and environmental economics by tony prato hardcover 1999 at the best online prices

natural resource and environmental economics by tony prato - Dec 27 2021

web monthly meetings open source sharing of education data and analytics tools developing and contributing to the oea architecture data pipelines analytical models dashboard

natural resource and environmental economics prato tony - Jun 13 2023

web xiii 344 p 26 cm includes bibliographical references and index importance of natural resources and environment economic and financial concepts in resources

natural resource and environmental economics prato tony - Oct 05 2022

web nov 4 2022 natural resource and environmental economics tony prato isbn 0813829380 author prato tony publisher ames iowa iowa state university press

natural resource and environmental economics edition 1 by - Jun 01 2022

web feb 12 1999 buy natural resource and environmental economics by t prato from waterstones today click and collect from your local waterstones or get free uk

natural resource and environmental economics ghent - Sep 04 2022

web natural resource and environmental economics prato tony on amazon com au free shipping on eligible orders natural resource and environmental economics

commercial law 3rd ed wildy sons ltd the world s legal - Feb 25 2022

web commercial law 3 rev ed edition by bradgate robert from flipkart com only genuine products 30 day replacement guarantee free shipping cash on delivery

commercial law robert bradgate google books - Apr 10 2023

web buy by robert bradgate commercial law 3rd edition paperback by robert bradgate isbn 8601409880945 from amazon s book store everyday low prices and free

commercial law 3 rev ed edition buy commercial law 3 rev - Nov 24 2021

commercial law legal practice course guide - Jul 13 2023

web robert bradgate oxford university press 2008 commercial law 1000 pages commercial law has established itself in the market as the leading text for

commercial law by robert bradgate open library - Mar 09 2023

web dec 10 2000 discover commercial law 3rd edition by bradgate and millions of other books available at barnes noble shop paperbacks ebooks and more

commercial law bradgate robert free download - May 11 2023

web apr 6 2009 title commercial law publisher oxford university press usa publication date 2000 binding soft cover condition new edition 3rd edition

commercial law by robert bradgate open library - Mar 29 2022

web this guide has been designed for students taking electives in commercial law on the legal practice course and will also be useful for students taking electives in commercial law

books by robert bradgate author of commercial law 3rd - May 31 2022

web buy commercial law 3rd ed by robert bradgate isbn 9780406916037 published by oxford university press from wildy com the world s legal bookshop shipping in

commercial law bradgate robert free download borrow and - Jul 01 2022

web oct 8 2020 commercial law by robert bradgate fidelma white 2005 oxford university press edition in english an edition of commercial law 1991 commercial law by

commercial law 3rd edition by bradgate paperback barnes - Dec 06 2022

web buy commercial law 3rd edition by bradgate robert online on amazon ae at best prices fast and free shipping free returns cash on delivery available on eligible purchase

commercial law 3rd edition by bradgate robert amazon ae - Sep 03 2022

web books by robert bradgate author of commercial law 3rd edition books by robert bradgate robert bradgate average rating 3 67 6 ratings 0 reviews shelved 6 times

commercial law 3rd edition legal practice course guide by - Nov 05 2022

web commercial law bradgate robert free download borrow and streaming internet archive

commercial law 3rd edition legal practice course guide - Aug 14 2023

web abebooks com commercial law 3rd edition legal practice course guide 9780406916037 by bradgate and a great selection of similar new used and

by robert bradgate commercial law 3rd edition paperback - Jan 07 2023

web commercial law 3rd edition legal practice course guide by bradgate and a great selection of related books art and collectibles available now at abebooks com

commercial law by bradgate robert new 2000 - Feb 08 2023

web jun 1 1991 this work takes into account the main developments in this field since publication of the second edition in 1995 the text examines the nature and function of

loading interface goodreads - Sep 22 2021

commercial law by bradgate robert biblio - Oct 24 2021

commercial law bradgate robert free download borrow and - Aug 02 2022

web commercial law 3rd third edition by bradgate robert published by oup 2000 0 00 avg rating 0 ratings 5 editions want to read saving

commercial law 3rd edition paperback may 5 2005 amazon ca - Jan 27 2022

web dec 10 2000 commercial law by robert bradgate condition used very good edition 2nd edition published 1994 binding soft cover isbn 10 0406048401 quantity available

robert bradgate author of commercial law 3rd edition - Apr 29 2022

web may 5 2005 commercial law 3rd edition bradgate robert 9780406916037 books amazon ca skip to main content ca hello select your address books select the

commercial law 3rd edition by bradgate abebooks - Oct 04 2022

web commercial law by bradgate robert publication date 2002 topics commercial law great britain commercial law handelsrecht great britain großbritannien

commercial law robert bradgate fidelma white google books - Dec 26 2021

web discover and share books you love on goodreads

commercial law 3rd edition legal practice course guide - Jun 12 2023

web apr 22 2011 commercial law by robert bradgate fidelma white 1996 blackstone edition in english 3rd ed