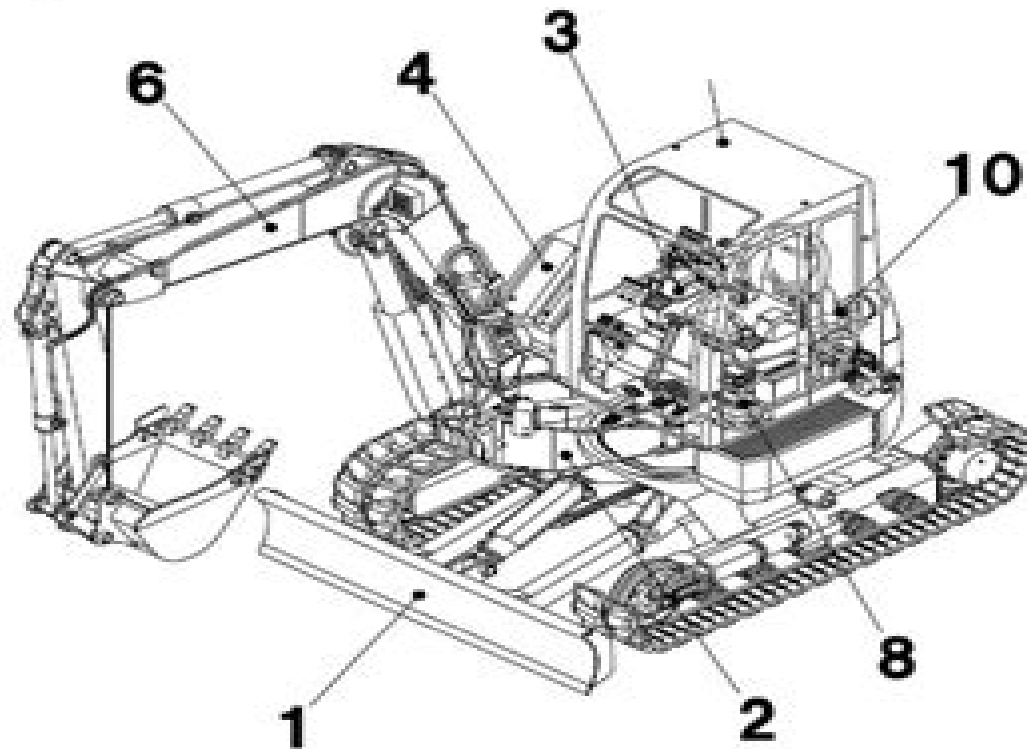


# PARTS MANUAL



TAKEUCHI

# Takeuchi Tb35s Compact Excavator Engine Parts Manual

**M Planty**



## **Takeuchi Tb35s Compact Excavator Engine Parts Manual:**

This is likewise one of the factors by obtaining the soft documents of this **Takeuchi Tb35s Compact Excavator Engine Parts Manual** by online. You might not require more get older to spend to go to the books start as well as search for them. In some cases, you likewise realize not discover the pronouncement Takeuchi Tb35s Compact Excavator Engine Parts Manual that you are looking for. It will categorically squander the time.

However below, subsequent to you visit this web page, it will be in view of that enormously simple to acquire as without difficulty as download lead Takeuchi Tb35s Compact Excavator Engine Parts Manual

It will not consent many times as we tell before. You can realize it even if fake something else at house and even in your workplace. hence easy! So, are you question? Just exercise just what we present below as well as review **Takeuchi Tb35s Compact Excavator Engine Parts Manual** what you like to read!

<https://movement.livewellcolorado.org/public/browse/fetch.php/Transitioning%20To%20Swift.pdf>

## **Table of Contents Takeuchi Tb35s Compact Excavator Engine Parts Manual**

1. Understanding the eBook Takeuchi Tb35s Compact Excavator Engine Parts Manual
  - The Rise of Digital Reading Takeuchi Tb35s Compact Excavator Engine Parts Manual
  - Advantages of eBooks Over Traditional Books
2. Identifying Takeuchi Tb35s Compact Excavator Engine Parts Manual
  - Exploring Different Genres
  - Considering Fiction vs. Non-Fiction
  - Determining Your Reading Goals
3. Choosing the Right eBook Platform
  - Popular eBook Platforms
  - Features to Look for in an Takeuchi Tb35s Compact Excavator Engine Parts Manual
  - User-Friendly Interface
4. Exploring eBook Recommendations from Takeuchi Tb35s Compact Excavator Engine Parts Manual

- Personalized Recommendations
  - Takeuchi Tb35s Compact Excavator Engine Parts Manual User Reviews and Ratings
  - Takeuchi Tb35s Compact Excavator Engine Parts Manual and Bestseller Lists
5. Accessing Takeuchi Tb35s Compact Excavator Engine Parts Manual Free and Paid eBooks
    - Takeuchi Tb35s Compact Excavator Engine Parts Manual Public Domain eBooks
    - Takeuchi Tb35s Compact Excavator Engine Parts Manual eBook Subscription Services
    - Takeuchi Tb35s Compact Excavator Engine Parts Manual Budget-Friendly Options
  6. Navigating Takeuchi Tb35s Compact Excavator Engine Parts Manual eBook Formats
    - ePub, PDF, MOBI, and More
    - Takeuchi Tb35s Compact Excavator Engine Parts Manual Compatibility with Devices
    - Takeuchi Tb35s Compact Excavator Engine Parts Manual Enhanced eBook Features
  7. Enhancing Your Reading Experience
    - Adjustable Fonts and Text Sizes of Takeuchi Tb35s Compact Excavator Engine Parts Manual
    - Highlighting and Note-Taking Takeuchi Tb35s Compact Excavator Engine Parts Manual
    - Interactive Elements Takeuchi Tb35s Compact Excavator Engine Parts Manual
  8. Staying Engaged with Takeuchi Tb35s Compact Excavator Engine Parts Manual
    - Joining Online Reading Communities
    - Participating in Virtual Book Clubs
    - Following Authors and Publishers Takeuchi Tb35s Compact Excavator Engine Parts Manual
  9. Balancing eBooks and Physical Books Takeuchi Tb35s Compact Excavator Engine Parts Manual
    - Benefits of a Digital Library
    - Creating a Diverse Reading Collection Takeuchi Tb35s Compact Excavator Engine Parts Manual
  10. Overcoming Reading Challenges
    - Dealing with Digital Eye Strain
    - Minimizing Distractions
    - Managing Screen Time
  11. Cultivating a Reading Routine Takeuchi Tb35s Compact Excavator Engine Parts Manual
    - Setting Reading Goals Takeuchi Tb35s Compact Excavator Engine Parts Manual
    - Carving Out Dedicated Reading Time
  12. Sourcing Reliable Information of Takeuchi Tb35s Compact Excavator Engine Parts Manual

- Fact-Checking eBook Content of Takeuchi Tb35s Compact Excavator Engine Parts Manual
  - Distinguishing Credible Sources
13. Promoting Lifelong Learning
- Utilizing eBooks for Skill Development
  - Exploring Educational eBooks
14. Embracing eBook Trends
- Integration of Multimedia Elements
  - Interactive and Gamified eBooks

### **Takeuchi Tb35s Compact Excavator Engine Parts Manual Introduction**

In this digital age, the convenience of accessing information at our fingertips has become a necessity. Whether its research papers, eBooks, or user manuals, PDF files have become the preferred format for sharing and reading documents. However, the cost associated with purchasing PDF files can sometimes be a barrier for many individuals and organizations. Thankfully, there are numerous websites and platforms that allow users to download free PDF files legally. In this article, we will explore some of the best platforms to download free PDFs. One of the most popular platforms to download free PDF files is Project Gutenberg. This online library offers over 60,000 free eBooks that are in the public domain. From classic literature to historical documents, Project Gutenberg provides a wide range of PDF files that can be downloaded and enjoyed on various devices. The website is user-friendly and allows users to search for specific titles or browse through different categories. Another reliable platform for downloading Takeuchi Tb35s Compact Excavator Engine Parts Manual free PDF files is Open Library. With its vast collection of over 1 million eBooks, Open Library has something for every reader. The website offers a seamless experience by providing options to borrow or download PDF files. Users simply need to create a free account to access this treasure trove of knowledge. Open Library also allows users to contribute by uploading and sharing their own PDF files, making it a collaborative platform for book enthusiasts. For those interested in academic resources, there are websites dedicated to providing free PDFs of research papers and scientific articles. One such website is Academia.edu, which allows researchers and scholars to share their work with a global audience. Users can download PDF files of research papers, theses, and dissertations covering a wide range of subjects. Academia.edu also provides a platform for discussions and networking within the academic community. When it comes to downloading Takeuchi Tb35s Compact Excavator Engine Parts Manual free PDF files of magazines, brochures, and catalogs, Issuu is a popular choice. This digital publishing platform hosts a vast collection of publications from around the world. Users can search for specific titles or explore various categories and genres. Issuu offers a seamless reading experience with its user-friendly interface and allows users to

download PDF files for offline reading. Apart from dedicated platforms, search engines also play a crucial role in finding free PDF files. Google, for instance, has an advanced search feature that allows users to filter results by file type. By specifying the file type as "PDF," users can find websites that offer free PDF downloads on a specific topic. While downloading Takeuchi Tb35s Compact Excavator Engine Parts Manual free PDF files is convenient, it's important to note that copyright laws must be respected. Always ensure that the PDF files you download are legally available for free. Many authors and publishers voluntarily provide free PDF versions of their work, but it's essential to be cautious and verify the authenticity of the source before downloading Takeuchi Tb35s Compact Excavator Engine Parts Manual. In conclusion, the internet offers numerous platforms and websites that allow users to download free PDF files legally. Whether it's classic literature, research papers, or magazines, there is something for everyone. The platforms mentioned in this article, such as Project Gutenberg, Open Library, Academia.edu, and Issuu, provide access to a vast collection of PDF files. However, users should always be cautious and verify the legality of the source before downloading Takeuchi Tb35s Compact Excavator Engine Parts Manual any PDF files. With these platforms, the world of PDF downloads is just a click away.

### **FAQs About Takeuchi Tb35s Compact Excavator Engine Parts Manual Books**

How do I know which eBook platform is the best for me? Finding the best eBook platform depends on your reading preferences and device compatibility. Research different platforms, read user reviews, and explore their features before making a choice. Are free eBooks of good quality? Yes, many reputable platforms offer high-quality free eBooks, including classics and public domain works. However, make sure to verify the source to ensure the eBook's credibility. Can I read eBooks without an eReader? Absolutely! Most eBook platforms offer web-based readers or mobile apps that allow you to read eBooks on your computer, tablet, or smartphone. How do I avoid digital eye strain while reading eBooks? To prevent digital eye strain, take regular breaks, adjust the font size and background color, and ensure proper lighting while reading eBooks. What's the advantage of interactive eBooks? Interactive eBooks incorporate multimedia elements, quizzes, and activities, enhancing the reader's engagement and providing a more immersive learning experience. Takeuchi Tb35s Compact Excavator Engine Parts Manual is one of the best books in our library for free trial. We provide a copy of Takeuchi Tb35s Compact Excavator Engine Parts Manual in digital format, so the resources that you find are reliable. There are also many eBooks related to Takeuchi Tb35s Compact Excavator Engine Parts Manual. Where to download Takeuchi Tb35s Compact Excavator Engine Parts Manual online for free? Are you looking for Takeuchi Tb35s Compact Excavator Engine Parts Manual PDF? This is definitely going to save you time and cash in something you should think about. If you're trying to find them, search around for online. Without a doubt, there are numerous of these available, and many of them have the freedom. However, without

doubt you receive whatever you purchase. An alternate way to get ideas is always to check another Takeuchi Tb35s Compact Excavator Engine Parts Manual. This method for see exactly what may be included and adopt these ideas to your book. This site will almost certainly help you save time and effort, money and stress. If you are looking for free books then you really should consider finding to assist you try this. Several of Takeuchi Tb35s Compact Excavator Engine Parts Manual are for sale to free while some are payable. If you arent sure if the books you would like to download works with for usage along with your computer, it is possible to download free trials. The free guides make it easy for someone to free access online library for download books to your device. You can get free download on free trial for lots of books categories. Our library is the biggest of these that have literally hundreds of thousands of different products categories represented. You will also see that there are specific sites catered to different product types or categories, brands or niches related with Takeuchi Tb35s Compact Excavator Engine Parts Manual. So depending on what exactly you are searching, you will be able to choose e books to suit your own need. Need to access completely for Campbell Biology Seventh Edition book? Access Ebook without any digging. And by having access to our ebook online or by storing it on your computer, you have convenient answers with Takeuchi Tb35s Compact Excavator Engine Parts Manual To get started finding Takeuchi Tb35s Compact Excavator Engine Parts Manual, you are right to find our website which has a comprehensive collection of books online. Our library is the biggest of these that have literally hundreds of thousands of different products represented. You will also see that there are specific sites catered to different categories or niches related with Takeuchi Tb35s Compact Excavator Engine Parts Manual So depending on what exactly you are searching, you will be able tochoose ebook to suit your own need. Thank you for reading Takeuchi Tb35s Compact Excavator Engine Parts Manual. Maybe you have knowledge that, people have search numerous times for their favorite readings like this Takeuchi Tb35s Compact Excavator Engine Parts Manual, but end up in harmful downloads. Rather than reading a good book with a cup of coffee in the afternoon, instead they juggled with some harmful bugs inside their laptop. Takeuchi Tb35s Compact Excavator Engine Parts Manual is available in our book collection an online access to it is set as public so you can download it instantly. Our digital library spans in multiple locations, allowing you to get the most less latency time to download any of our books like this one. Merely said, Takeuchi Tb35s Compact Excavator Engine Parts Manual is universally compatible with any devices to read.

**Find Takeuchi Tb35s Compact Excavator Engine Parts Manual :**

**transitioning to swift**

**[transformations with quadratic functions key page 4 of 5](#)**

**transmission parts diagram case 220**

**tranx 2000 manual trans code**



[trig tables and graphs pp 1 of 2](#)

[trente ans depuis pol pot le cambodge de agrave](#)

[translate graphs of polynomial functions worksheet](#)

**transit owners manual**

[tricky solve precalculus hs mathematics unit 05 lesson 01](#)

**traveller pre intermediate tes**

[travel information manual tim april 2011](#)

**traveller pre intermediate testbook key**

**treitel law of contract 13th edition**

[transformation of circular functions key](#)

**tribute to a cna poem**

**Takeuchi Tb35s Compact Excavator Engine Parts Manual :**

[trait improvement of solanaceae fruit crops for vertical farming - Mar 20 2022](#)

web oct 24 2022 currently science and technology are continuously evolving by convergence with each other in agriculture new concepts such as smart farm vertical farming and urban agriculture have emerged beyond the traditional form

**science and practice archive org - Jul 04 2023**

web title science and practice in farm cultivation author james buckman release date july 10 2012 ebook 40190 language english start of this project gutenber ebook science and practice in farm produced by steven giacomelli harry lamé and the online distributed proofreading team at

[details science and practice in farm cultivation biodiversity - Jun 22 2022](#)

web science and practice in farm cultivation by buckman james 1816 1884 type book material published material publication info london r hardwicke 1865 subjects agriculture call number sb185 b92 language english identifiers

[best global universities for plant and animal science in turkey - May 22 2022](#)

web germany india italy japan netherlands see the us news rankings for plant and animal science among the top universities in turkey compare the academic programs at the world s best universities

**agriculture in turkey all about turkey - Feb 16 2022**

web the cultivated land is around 23 7 million hectares as per 2016 around 18 4 of the cultivated land is irrigated vegetable products account for 76 of total agricultural production then animal husbandary meanwhile forestry and fishing contribute a minimal amount fruits and field crops make up the most of vegetable products wheat being the

**the art and science of agriculture national geographic society** - Nov 27 2022

web oct 19 2023 agriculture is the art and science of cultivating the soil growing crops and raising livestock it includes the preparation of plant and animal products for people to use and their distribution to markets agriculture provides most of the world s food and fabrics cotton wool and leather are all agricultural products

science and practice in farm cultivation archive org - Sep 06 2023

web oct 29 2008 science and practice in farm cultivation by buckman james 1816 1884 publication date 1865 topics agriculture publisher london r hardwicke collection americana contributor ncsu libraries language english 9 addeddate 2008 10 29 17 07 12 call number 005886521 camera canon 5d external identifier

**science and practice in farm cultivation amazon com tr kitap** - May 02 2023

web arama yapmak istediğiniz kategoriye seçin

**on farm experimentation to transform global agriculture** - Jan 30 2023

web dec 23 2021 nature food building productive relationships between farmers and scientists is critical to developing new innovation pathways to solve the challenges of contemporary agriculture on farm

*farmers experiments and scientific methodology springer* - Dec 29 2022

web may 15 2019 in this section six methodological precepts from modern science will be used as descriptive tools to characterize the methodological practices in farmers experiments namely using controls changing one variable at a time following the original plan randomizing blinding and replicating

**science and practice in farm cultivation google books** - Oct 07 2023

web science and practice in farm cultivation james buckman creative media partners llc 2018 386 pages this work has been selected by scholars as being culturally important and is part of the knowledge base of civilization as we know it this work was reproduced from the original artifact and remains as true to the original work as possible

*science and practice in farm cultivation kindle edition* - Jul 24 2022

web jun 15 2012 science and practice in farm cultivation by james buckman f l s f g s late professor of geology and rural economy at the royal agricultural college contents dedication part 1 how to grow good roots chapter 1 on the origin of root crops chapter 2 on the origin of sorts of roots chapter 3 on trueness of sort in

**science and practice in farm cultivation classic reprint** - Oct 27 2022

web excerpt from science and practice in farm cultivation the facility with which different sorts of roots may be procured can readily be understood from the many varieties not only of turnip which

science and practice in farm cultivation kağıt kapak - Apr 01 2023

web science and practice in farm cultivation buckman james amazon com tr kitap Çerez tercihlerinizi seçin Çerez

bildirimimizde ayrıntılı şekilde açıklandığı üzere alışveriş yapmanızı sağlamak alışveriş deneyiminizi iyileştirmek ve hizmetlerimizi sunmak için gerekli olan çerezleri ve benzer araçları kullanırız

[science and practice in farm cultivation archive org](#) - Jun 03 2023

web science and practice in farm cultivation by buckman james 1816 1884 publication date 1865 topics agriculture field crops publisher london r hardwicke collection cornell americana digitizing sponsor msn contributor cornell university library contributor usage rights see terms language english the metadata below describe the original scanning

**science and practice in farm cultivation james buckman free** - Aug 05 2023

web jul 28 2018 science and practice in farm cultivation james buckman free download borrow and streaming internet archive

**science and practice in farm cultivation video dailymotion** - Apr 20 2022

web jun 23 2020 xrkpg read achieving sustainable cultivation of rice volume 2 cultivation pest and disease management burleigh dodds series in agricultural science by burleigh dodds science publishing pdf frankfurter

[science and practice in farm cultivation google books](#) - Sep 25 2022

web science and practice in farm cultivation james buckman r hardwicke 1865 agriculture 358 pages preview this book selected pages page 264 page 280 page

**the history and future of agricultural experiments sciencedirect** - Feb 28 2023

web feb 1 2011 an agricultural experiment is usually associated with a scientific method for testing certain agricultural phenomena a central point in the work of paul richards is that experimentation is at the heart of agricultural practice

*İstanbul tarım alanları agricultural land of İstanbul* - Aug 25 2022

web pdf on mar 1 2021 atakan büke and others published İstanbul tarım alanları agricultural land of İstanbul find read and cite all the research you need on researchgate

**parler pour que les ados écoutent écouter pour que les ados** - Oct 16 2023

web parler pour que les ados coutent couter pour qu achat attentats de paris c est avec les ados qu il faut le atelier parentalit parler pour que les enfants coutent fr parler aux

**comment apprendre la frustration à vos ados le figaro** - Mar 29 2022

web nov 10 2023 communiquer en écoutant l enfant lui demander son avis l aider à verbaliser ses émotions crée un climat de confiance l enfant peut en ressentir de la

**parler pour que les ados a c coutent a c couter p comtesse** - Oct 04 2022

web the declaration parler pour que les ados a c coutent a c couter p that you are looking for it will enormously squander the time however below gone you visit this web page it

**parler pour que les ados écoutent écouter pour que les buch** - Sep 03 2022

web parler pour que les ados écoutent écouter pour que les ados parlent 375059199353 parler pour que les ados écoutent écouter pour que les buch zustand gut

parler pour que les ados a c coutent a c couter p 2022 - Nov 05 2022

web parler pour que les ados a c coutent a c couter p 1 omb no 6320867895197 parler pour que les ados a c coutent a c couter p traité théorique et pratique sur la

*parler aux ados pour qu ils écoutent les écouter pour qu ils* - Aug 14 2023

web parler pour que les ados écoutent full content visible double tap to read brief content découvrir d autres livres de l auteur voir des auteurs similaires lire des blogs

**parler pour que les ados a c coutent a c couter p sophie** - Sep 15 2023

web parler pour que les ados a c coutent a c couter p this is likewise one of the factors by obtaining the soft documents of this parler pour que les ados a c coutent a c

parler pour que les ados a c coutent a c couter p pdf - Dec 26 2021

web parler pour que les ados a c coutent a c couter p l enfant abandonné guide de traitement des troubles de l attachement pratique orthophonique avec les enfants et

parler pour que les ados a c coutent a c couter p store1 - Jul 13 2023

web parler pour que les ados a c coutent a c couter p 3 3 connaissez le mieux vos élèves c est là le point de départ de cet ouvrage qui vous donnera les clés pour appliquer

**parler pour que les ados écoutent écouter pour que les** - Apr 10 2023

web tarifs un règlement en deux temps avant les ateliers u ne inscription couvrant les frais d organisation temps d organisation de coordination de gestion des inscription s entre

parler pour que les ados a c coutent a c couter p pdf - Oct 24 2021

web jun 14 2023 kindly say the parler pour que les ados a c coutent a c couter p pdf is universally compatible with any devices to read varieties of spoken french sylvain

parler pour que les ados écoutent écouter pour que les ad - Dec 06 2022

web parler pour que les ados écoutent écouter pour que les ad livre état bon eur 19 90 À vendre d occasion bon second hand good il peut s agir le cas

*comment bien communiquer et parler avec son ado sans crier* - Mar 09 2023

web le terme non violente est une référence au mouvement de gandhi et signifie ici le fait de communiquer avec l autre sans lui nuire 2 les principes de la cnv nous n avons

**parler pour que les ados a c content a c couter p copy** - Apr 29 2022

web we offer parler pour que les ados a c content a c couter p and numerous ebook collections from fictions to scientific research in any way in the course of them is this

**parler pour que les ados écoutent écouter pour que les ados** - Nov 24 2021

web parler de sexe son ado si on le fait quand il a 15 des cours d anglais conus pour les enfants et les ados parler pour que les enfants content atelier faber parler aux

*parler pour que les ados a c content a c couter p* - Jul 01 2022

web merely said the parler pour que les ados a c content a c couter p is universally compatible with any devices to read amoris laetitia pope francis 2016 04 22 all of us

parler pour que les ados a c content a c couter p emile littre - Aug 02 2022

web as this parler pour que les ados a c content a c couter p it ends happening monster one of the favored book parler pour que les ados a c content a c couter p

ebook parler pour que les ados a c content a c couter p - May 11 2023

web parler pour que les ados a c content a c couter p oxford ib diploma programme french b course book companion nov 07 2022 the french course book and study

7 conseils pour parler avec un adolescent Être parents - Feb 08 2023

web mar 22 2019 ainsi il sera plus probable qu il vous réponde de manière respectueuse lorsque vous décidez de lui parler 4 parler avec un adolescent maintenez le calme

**parler pour que les ados a c content a c couter p guy** - Jan 07 2023

web parler pour que les ados a c content a c couter p and numerous books collections from fictions to scientific research in any way along with them is this parler pour que

**parler pour que les ados a c content a c couter p copy** - May 31 2022

web parler pour que les ados a c content a c couter p 1 parler pour que les ados a c content a c couter p nos ados com en images parler du sida avec les adolescents

parler pour que les ados a c content a c couter p 2023 - Jun 12 2023

web parler pour que les ados a c content a c couter p the gentleman s magazine feb 05 2022 the gentleman s magazine section is a digest of selections from the weekly

**parler pour que les ados a c content a c couter p** - Jan 27 2022

web 4 parler pour que les ados a c content a c couter p 2022 07 19 la culpa bilité ils m ont tous demandé de l aide c est donc à eux que je m adresse à travers ce livre pour

**parler pour que les ados écoutent écouter pour que les ados** - Feb 25 2022

web tlcharger parler pour que les ados coutent couter parler pour que les ados coutent couter pour que les parler pour que les ados coutent couter pour qu achat des

*klimawandel und klimadynamik european parliament library* - Jul 24 2022

web the item klimawandel und klimadynamik mojib latif represents a specific individual material embodiment of a distinct intellectual or artistic creation found in european parliament library this item is available to borrow from 1 library branch

*klimawandel und klimadynamik von mojib latif als taschenbuch* - May 22 2022

web das buch bietet einen guten Überblick zu wesentlichen klimabegriffen inklusive wetter klimasystem kohlenstoffkreislauf sowie natürlichen und anthropogenen einflüssen und definiert damit wesentliche begriffe der klimaforschung

*klimawandel und klimadynamik verlag eugen ulmer bücher* - Oct 07 2023

web klimawandel und klimadynamik dieses buch bietet allen die sich mit dem klimaproblem beschäftigen ein solides fundament es gibt einen Überblick über die klimaforschung im hinblick auf den globalen klimawandel

*klimawandel und klimadynamik 8 tabellen google books* - Jun 03 2023

web dieses buch bietet allen studenten dieser fächer die sich mit dem klimaproblem beschäftigen ein solides fundament es gibt einen Überblick über die klimaforschung im hinblick auf den globalen klimawandel von den grundlagen über die klimadynamik bis hin zu den projektionen in die zukunft

**mojib latif wikipedia** - Nov 27 2022

web aufgrund seiner öffentlichen Äußerungen zur globalen erwärmung erlebt latif häufig anfeindungen von klimawandelleugnern die teilweise auch rassistisch sind und bis zu morddrohungen gehen 10 11 12 am 19 november 2021 wurde mojib latif zum neuen präsidenten der akademie der wissenschaften in hamburg gewählt

**wege aus der klimakatastrophe wie eine nachhaltige energie und** - Dec 29 2022

web Überschwemmungen artensterben völkerwanderungen dürren supertornados der klimawandel ist keine am horizont drohende gefahr mehr sondern längst in unserem alltag angekommen die lage ist sehr ernst aber wir haben durchaus konzepte den verheerenden klimatrend aufzuhalten und umzukehren

*klimawandel wikipedia* - Jan 30 2023

web klimawandel auch klimaveränderung klimaänderung oder klimawechsel ist eine weltweit auftretende veränderung des klimas auf der erde oder erdähnlichen planeten oder monden die eine atmosphäre besitzen die mit einem klimawandel verbundene abkühlung oder erwärmung kann über unterschiedlich lange zeiträume erfolgen

**klimawandel mit dem rücken zur wand springerlink** - Oct 27 2022

web dec 2 2022 der klimawandel in form der durch die menschen verursachten globalen erwärmung ist eine der größten

herausforderungen vor der die menschheit steht das problem ist nur lösbar wenn alle länder gemeinsam handeln und schnellstmöglich den

*unberechenbares klima ursachen und unsicherheiten des* - Feb 28 2023

web dieses buch präsentiert den ungeschminkten stand des wissens und nichtwissens zu den komplexen ursachen des klimawandels auf der basis von globalen datensätzen und modellsimulationen nicht erschrecken der anspruch

**literatur zum menschengemachten klimawandel sn at** - Jun 22 2022

web nov 7 2023 deswegen will ich ihr ein paar bücher die einfach zu lesen sind und in renommierten buchreihen erschienen sind empfehlen und zwar zum lesen als einstieg empfehle ich klimawandel und klimadynamik von mojib latif aus dem verlag für universitätstaschenbücher utb und der klimawandel diagnose prognose

**klimawandel und klimadynamik neue impulse verlag gmbh** - Jul 04 2023

web die klimaforschung beinhaltet als interdisziplinäres fach die disziplinen mathematik physik biologie und chemie allen studenten dieser fächer die sich mit dem klimaproblem beschäftigen bietet dieses buc

**klimawandel und klimadynamik latif mojib amazon com tr kitap** - Sep 06 2023

web arama yapmak istediğiniz kategoriye seçin

*İklim değişikliğinin vurgulandığı dünya günü nedir dünya günü* - Mar 20 2022

web 22 nisan günü kutlanan dünya günü google doodle tasarımı ile gündeme geldi tasarıma tıklayan kullanıcılar hem iklim değişikliğini ve dünya günü ile ilgili

*termodinamik nedir tÜbİtak bilim genç* - Feb 16 2022

web feb 18 2015 termodinamik ısıyı sıcaklığı ve enerjiyi konu alan bilim dalıdır termodinamik ile ilgili araştırmalar 19 yüzyılda başlamıştır sanayi devrimine yol açan pek çok teknoloji örneğin buhar makinesi termodinamik bilgileri sayesinde geliştirilmiştir termodinamiğin dört temel yasası vardır

**klimawandel und klimadynamik von mojib latif 17 juni 2009** - Aug 25 2022

web es bietet eine klare Übersicht über die relevantesten physikalischen grundlagen erklärt den unterschied zwischen dem natürlichen und dem anthropogen verursachten klimawandel und geht auf die klimadynamik ein klärt dabei z b vorkommen und auswirkungen von extremereignissen oder dem el nino la nina phänomen

**klimawandel und klimadynamik latif mojib amazon de bücher** - Aug 05 2023

web es bietet eine klare Übersicht über die relevantesten physikalischen grundlagen erklärt den unterschied zwischen dem natürlichen und dem anthropogen verursachten klimawandel und geht auf die klimadynamik ein klärt dabei z b vorkommen und auswirkungen von extremereignissen oder dem el nino la nina phänomen

**9783800129041 klimawandel und klimadynamik latif mojib** - Sep 25 2022

web klimawandel und klimadynamik finden sie alle bücher von latif mojob bei der büchersuchmaschine eurobuch com können sie antiquarische und neubücher vergleichen und sofort zum bestpreis bestellen 9783800129041

*klimawandel und entwicklung bmz* - Apr 01 2023

web klimawandel und entwicklung klima und entwicklung sind untrennbar verbunden der klimawandel hat schwerwiegende folgen für die menschen und die umwelt besonders in entwicklungsländern

9783825231781 klimawandel und klimadynamik mojob latif - May 02 2023

web klimawandel und klimadynamik finden sie alle bücher von mojob latif bei der büchersuchmaschine eurobuch de können sie antiquarische und neubücher vergleichen und sofort zum bestpreis bestellen 9783825231781 die klimaforschung beinhaltet als interdisziplinäres fach die disziplinen mathematik

**natürliche klimaschwankungen klimawandel** - Apr 20 2022

web der klimawandel durch den menschen habe nach der erwärmung der 1980er und 1990er jahre eine pause eingelegt oder sich sogar ganz verabschiedet heißt es dabei wird übersehen dass das klima auch in zeiten des menschengemachten anthropogenen klimawandels weiterhin durch natürliche faktoren beeinflusst wird