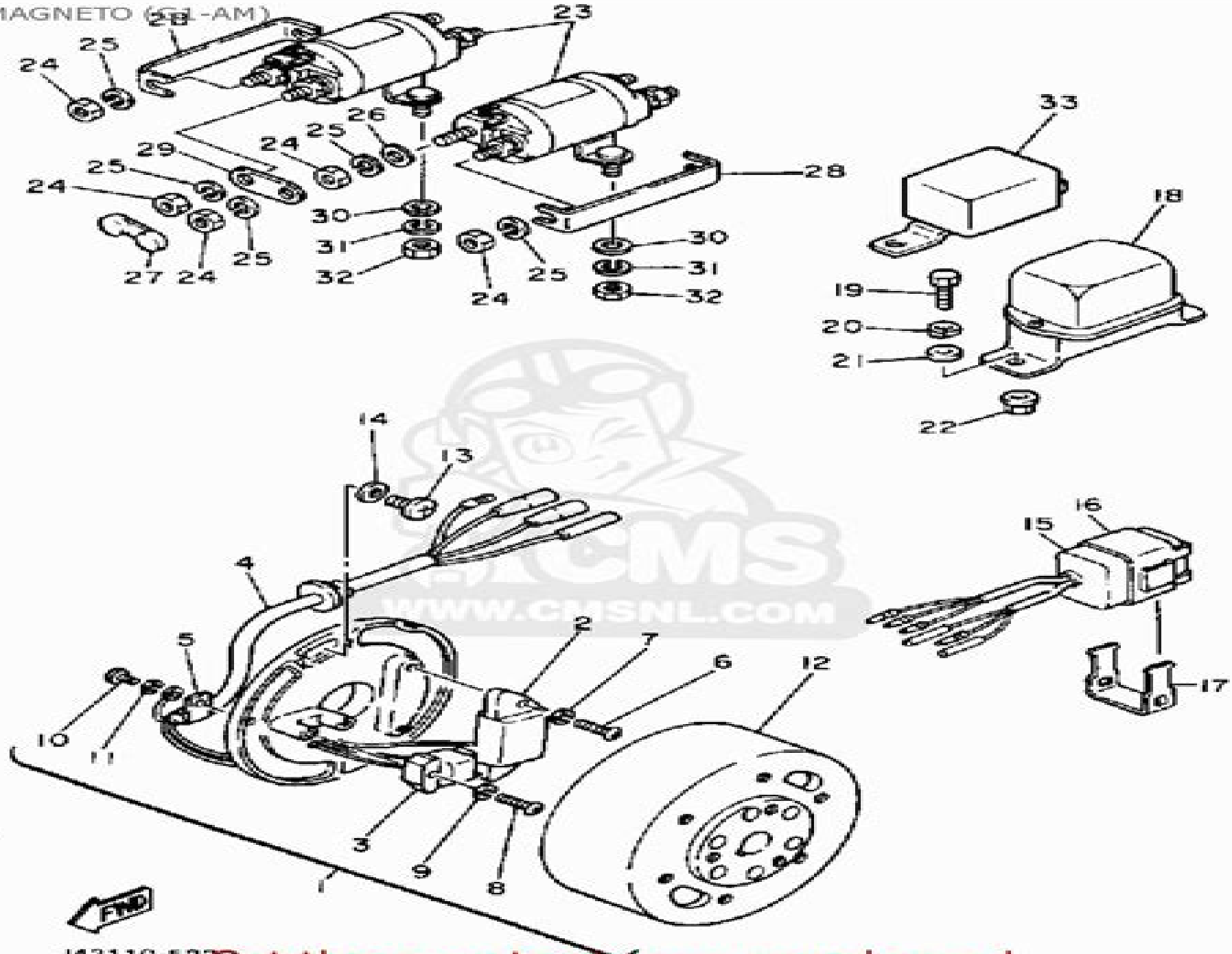


MAGNETO (G1-AM)



J42110-5323 Get these parts at www.cmsnl.com !

Yamaha G1 A3 Golf Cart Replacement Parts Manual

Karin Nielsen-Saines



Yamaha G1 A3 Golf Cart Replacement Parts Manual:

Yamaha G1-A3/G1-E3 Golf Car Service Manual ,1981
Corporation, U.S.A.,2000*

G1A/M/E/M (3/4/5) Yamaha Service Manual Yamaha Motor

Yamaha G1 A3 Golf Cart Replacement Parts Manual Book Review: Unveiling the Power of Words

In a world driven by information and connectivity, the ability of words has become more evident than ever. They have the capability to inspire, provoke, and ignite change. Such is the essence of the book **Yamaha G1 A3 Golf Cart Replacement Parts Manual**, a literary masterpiece that delves deep into the significance of words and their affect our lives. Written by a renowned author, this captivating work takes readers on a transformative journey, unraveling the secrets and potential behind every word. In this review, we shall explore the book is key themes, examine its writing style, and analyze its overall affect readers.

https://movement.livewellcolorado.org/results/Resources/Documents/elasticity_martin_sadd_manual_solution.pdf

Table of Contents Yamaha G1 A3 Golf Cart Replacement Parts Manual

1. Understanding the eBook Yamaha G1 A3 Golf Cart Replacement Parts Manual
 - The Rise of Digital Reading Yamaha G1 A3 Golf Cart Replacement Parts Manual
 - Advantages of eBooks Over Traditional Books
2. Identifying Yamaha G1 A3 Golf Cart Replacement Parts Manual
 - Exploring Different Genres
 - Considering Fiction vs. Non-Fiction
 - Determining Your Reading Goals
3. Choosing the Right eBook Platform
 - Popular eBook Platforms
 - Features to Look for in an Yamaha G1 A3 Golf Cart Replacement Parts Manual
 - User-Friendly Interface
4. Exploring eBook Recommendations from Yamaha G1 A3 Golf Cart Replacement Parts Manual
 - Personalized Recommendations
 - Yamaha G1 A3 Golf Cart Replacement Parts Manual User Reviews and Ratings
 - Yamaha G1 A3 Golf Cart Replacement Parts Manual and Bestseller Lists

5. Accessing Yamaha G1 A3 Golf Cart Replacement Parts Manual Free and Paid eBooks
 - Yamaha G1 A3 Golf Cart Replacement Parts Manual Public Domain eBooks
 - Yamaha G1 A3 Golf Cart Replacement Parts Manual eBook Subscription Services
 - Yamaha G1 A3 Golf Cart Replacement Parts Manual Budget-Friendly Options
6. Navigating Yamaha G1 A3 Golf Cart Replacement Parts Manual eBook Formats
 - ePub, PDF, MOBI, and More
 - Yamaha G1 A3 Golf Cart Replacement Parts Manual Compatibility with Devices
 - Yamaha G1 A3 Golf Cart Replacement Parts Manual Enhanced eBook Features
7. Enhancing Your Reading Experience
 - Adjustable Fonts and Text Sizes of Yamaha G1 A3 Golf Cart Replacement Parts Manual
 - Highlighting and Note-Taking Yamaha G1 A3 Golf Cart Replacement Parts Manual
 - Interactive Elements Yamaha G1 A3 Golf Cart Replacement Parts Manual
8. Staying Engaged with Yamaha G1 A3 Golf Cart Replacement Parts Manual
 - Joining Online Reading Communities
 - Participating in Virtual Book Clubs
 - Following Authors and Publishers Yamaha G1 A3 Golf Cart Replacement Parts Manual
9. Balancing eBooks and Physical Books Yamaha G1 A3 Golf Cart Replacement Parts Manual
 - Benefits of a Digital Library
 - Creating a Diverse Reading Collection Yamaha G1 A3 Golf Cart Replacement Parts Manual
10. Overcoming Reading Challenges
 - Dealing with Digital Eye Strain
 - Minimizing Distractions
 - Managing Screen Time
11. Cultivating a Reading Routine Yamaha G1 A3 Golf Cart Replacement Parts Manual
 - Setting Reading Goals Yamaha G1 A3 Golf Cart Replacement Parts Manual
 - Carving Out Dedicated Reading Time
12. Sourcing Reliable Information of Yamaha G1 A3 Golf Cart Replacement Parts Manual
 - Fact-Checking eBook Content of Yamaha G1 A3 Golf Cart Replacement Parts Manual
 - Distinguishing Credible Sources
13. Promoting Lifelong Learning

- Utilizing eBooks for Skill Development
 - Exploring Educational eBooks
14. Embracing eBook Trends
- Integration of Multimedia Elements
 - Interactive and Gamified eBooks

Yamaha G1 A3 Golf Cart Replacement Parts Manual Introduction

In the digital age, access to information has become easier than ever before. The ability to download Yamaha G1 A3 Golf Cart Replacement Parts Manual has revolutionized the way we consume written content. Whether you are a student looking for course material, an avid reader searching for your next favorite book, or a professional seeking research papers, the option to download Yamaha G1 A3 Golf Cart Replacement Parts Manual has opened up a world of possibilities. Downloading Yamaha G1 A3 Golf Cart Replacement Parts Manual provides numerous advantages over physical copies of books and documents. Firstly, it is incredibly convenient. Gone are the days of carrying around heavy textbooks or bulky folders filled with papers. With the click of a button, you can gain immediate access to valuable resources on any device. This convenience allows for efficient studying, researching, and reading on the go. Moreover, the cost-effective nature of downloading Yamaha G1 A3 Golf Cart Replacement Parts Manual has democratized knowledge. Traditional books and academic journals can be expensive, making it difficult for individuals with limited financial resources to access information. By offering free PDF downloads, publishers and authors are enabling a wider audience to benefit from their work. This inclusivity promotes equal opportunities for learning and personal growth. There are numerous websites and platforms where individuals can download Yamaha G1 A3 Golf Cart Replacement Parts Manual. These websites range from academic databases offering research papers and journals to online libraries with an expansive collection of books from various genres. Many authors and publishers also upload their work to specific websites, granting readers access to their content without any charge. These platforms not only provide access to existing literature but also serve as an excellent platform for undiscovered authors to share their work with the world. However, it is essential to be cautious while downloading Yamaha G1 A3 Golf Cart Replacement Parts Manual. Some websites may offer pirated or illegally obtained copies of copyrighted material. Engaging in such activities not only violates copyright laws but also undermines the efforts of authors, publishers, and researchers. To ensure ethical downloading, it is advisable to utilize reputable websites that prioritize the legal distribution of content. When downloading Yamaha G1 A3 Golf Cart Replacement Parts Manual, users should also consider the potential security risks associated with online platforms. Malicious actors may exploit vulnerabilities in unprotected websites to distribute malware or steal personal information. To protect themselves, individuals should ensure their devices have reliable antivirus software

installed and validate the legitimacy of the websites they are downloading from. In conclusion, the ability to download Yamaha G1 A3 Golf Cart Replacement Parts Manual has transformed the way we access information. With the convenience, cost-effectiveness, and accessibility it offers, free PDF downloads have become a popular choice for students, researchers, and book lovers worldwide. However, it is crucial to engage in ethical downloading practices and prioritize personal security when utilizing online platforms. By doing so, individuals can make the most of the vast array of free PDF resources available and embark on a journey of continuous learning and intellectual growth.

FAQs About Yamaha G1 A3 Golf Cart Replacement Parts Manual Books

1. Where can I buy Yamaha G1 A3 Golf Cart Replacement Parts Manual books? Bookstores: Physical bookstores like Barnes & Noble, Waterstones, and independent local stores. Online Retailers: Amazon, Book Depository, and various online bookstores offer a wide range of books in physical and digital formats.
2. What are the different book formats available? Hardcover: Sturdy and durable, usually more expensive. Paperback: Cheaper, lighter, and more portable than hardcovers. E-books: Digital books available for e-readers like Kindle or software like Apple Books, Kindle, and Google Play Books.
3. How do I choose a Yamaha G1 A3 Golf Cart Replacement Parts Manual book to read? Genres: Consider the genre you enjoy (fiction, non-fiction, mystery, sci-fi, etc.). Recommendations: Ask friends, join book clubs, or explore online reviews and recommendations. Author: If you like a particular author, you might enjoy more of their work.
4. How do I take care of Yamaha G1 A3 Golf Cart Replacement Parts Manual books? Storage: Keep them away from direct sunlight and in a dry environment. Handling: Avoid folding pages, use bookmarks, and handle them with clean hands. Cleaning: Gently dust the covers and pages occasionally.
5. Can I borrow books without buying them? Public Libraries: Local libraries offer a wide range of books for borrowing. Book Swaps: Community book exchanges or online platforms where people exchange books.
6. How can I track my reading progress or manage my book collection? Book Tracking Apps: Goodreads, LibraryThing, and Book Catalogue are popular apps for tracking your reading progress and managing book collections. Spreadsheets: You can create your own spreadsheet to track books read, ratings, and other details.
7. What are Yamaha G1 A3 Golf Cart Replacement Parts Manual audiobooks, and where can I find them? Audiobooks: Audio recordings of books, perfect for listening while commuting or multitasking. Platforms: Audible, LibriVox, and Google Play Books offer a wide selection of audiobooks.

8. How do I support authors or the book industry? Buy Books: Purchase books from authors or independent bookstores. Reviews: Leave reviews on platforms like Goodreads or Amazon. Promotion: Share your favorite books on social media or recommend them to friends.
9. Are there book clubs or reading communities I can join? Local Clubs: Check for local book clubs in libraries or community centers. Online Communities: Platforms like Goodreads have virtual book clubs and discussion groups.
10. Can I read Yamaha G1 A3 Golf Cart Replacement Parts Manual books for free? Public Domain Books: Many classic books are available for free as they're in the public domain. Free E-books: Some websites offer free e-books legally, like Project Gutenberg or Open Library.

Find Yamaha G1 A3 Golf Cart Replacement Parts Manual :

elasticity martin sadd manual solution

quizlet accounting chapter 9

business studies study guide grade 11 caps

key officers of foreign service posts guide for business representatives 1998

land use planning a casebook 2nd edition

1 007 gre practice questions 4th edition

1982 honda odyssey fl250 repair manual

2002 holden rodeo manual

question paper 1 business grade 11 november 2013

natuur wetenskap graad 9 november

link belt operating manual

bosch acs 650 manual

xtreme exam papers ib

operating instructions for kindle touch

20kia manual sportage

Yamaha G1 A3 Golf Cart Replacement Parts Manual :

ritualist an epic fantasy litrpg adventure the completionist - Jun 04 2023

web ritualist the completionist chronicles book 1 kindle edition by dakota krout author format kindle edition 4 7 7 059 ratings

book 1 of 8 the completionist chronicles

ritualist the completionist chronicles book 1 kindle - May 03 2023

web buy ritualist 1 the completionist chronicles by krout dakota isbn 9781637661413 from amazon s book store everyday low prices and free delivery on eligible orders

loading interface goodreads - Mar 21 2022

web ritualist an epic fantasy litrpg adventure the completionist chronicles book 1 ebook krout dakota amazon in kindle store
ritualist the completionist chronicles 1 by dakota krout - Oct 08 2023

web mar 15 2018 ritualist dakota krout 4 32 13 416 ratings 647 reviews a game that puts all others to shame magic that has been banned from the world a man willing to learn no

the completionist chronicles series by dakota krout goodreads - Aug 06 2023

web ritualist an epic fantasy litrpg adventure the completionist chronicles book 1 by dakota krout author 4 7 out of 5 stars 8 084

ritualist the completionist chronicles hardcover - May 23 2022

web discover and share books you love on goodreads

the completionist chronicles audiobooks audible com - Sep 26 2022

web ritualist completionist chronicles book 1 audible audiobook unabridged dakota krout author vikas adam narrator tantor audio publisher 0 more 4 7 4 7 out of

ritualist an epic fantasy litrpg adventure the - Sep 07 2023

web by dakota krout 4 00 1 ratings 1 edition a challenge is issued the clouds part that s no want to read rate it ritualist the completionist chronicles 1 regicide

the completionist chronicles 11 book series kindle edition - Jul 05 2023

web ritualist an epic fantasy litrpg adventure the completionist chronicles book 1 ebook krout dakota amazon co uk kindle store

ritualist completionist chronicles book 1 amazon co uk - Mar 01 2023

web ritualist an epic fantasy litrpg adventure the completionist chronicles book 1 by dakota krout author 4 7 out of 5 stars 7 828

tenacity the completionist chronicles book 9 unabridged - Feb 17 2022

web buy ritualist volume 1 the completionist chronicles by krout dakota from amazon s fiction books store everyday low prices on a huge range of new releases and classic

ritualist 1 the completionist chronicles paperback - Apr 02 2023

web in his pursuit of power joe fights alongside his team completes quests and delves into the mysteries of his class which he quickly discovers can be practiced only in secret

ritualist an epic fantasy litrpg adventure the completionist - Jan 19 2022

ritualist completionist chronicles book 1 amazon ca - Jul 25 2022

web a game that puts all others to shame magic that has been banned from the world a man willing to learn no matter the cost the decision to start a new life is never an easy one

ritualist an epic fantasy litrpg adventure the completionist - Nov 28 2022

web ritualist completionist chronicles book 1 by dakota krout narrated by vikas adam length 12 hrs and 6 mins release date 05 15 18

ritualist review completionist chronicles book 1 youtube - Apr 21 2022

web oct 9 2023 an epic fantasy litrpg adventure resources zilch shelter ha monsters hungry and closing in joe the ritualist fled alfheim with the remnants of the dwarven

[ritualist an epic fantasy litrpg adventure the completionist](#) - Oct 28 2022

web ritualist completionist chronicles book 1 audible audiobook unabridged dakota krout author vikas adam narrator tantor audio publisher 0 more 4 7 out of 5

ritualist completionist chronicles book 1 amazon in - Jun 23 2022

web apr 8 2021 ritualist review completionist chronicles book 1 this is my review of book 1 of the completionist chronicles ritualist what did you think did you enjoy th

[ritualist completionist chronicles book 1 amazon com](#) - Aug 26 2022

web ritualist completionist chronicles book 1 audible audiobook unabridged dakota krout author vikas adam narrator tantor audio publisher 0 more 4 7 out of 5

the completionist chronicles 8 book series kindle edition - Dec 30 2022

web ritualist an epic fantasy litrpg adventure the completionist chronicles book 1 kindle edition by dakota krout author format kindle edition 4 7 7 102 ratings book 1

dakota krout author of ritualist goodreads - Jan 31 2023

web ritualist an epic fantasy litrpg adventure the completionist chronicles book 1 ebook krout dakota amazon com au kindle store

ritualist volume 1 the completionist chronicles paperback - Dec 18 2021

vtu elc visvesvaraya technological university - Aug 15 2023

web instrumentation technology vtu courses nptel courses process control 8086 microprocessor and peripherals

vtu learning process control instrumentation wrbb neu - Oct 05 2022

web computer vtu learning process control instrumentation is easy to use in our digital library an online permission to it is set as public hence you can download it instantly our

vtu learning process control instrumentation - Dec 07 2022

web vtu learning process control instrumentation april 20th 2018 vtu question papers of all semester control systems order by default name home resources vtu papers

vtu learning process control instrumentation pdf uniport edu - Nov 06 2022

web may 20 2023 vtu learning process control instrumentation 1 11 downloaded from uniport edu ng on may 20 2023 by guest vtu learning process control

vtu learning process control instrumentation uniport edu - Jul 02 2022

web jul 5 2023 install the vtu learning process control instrumentation it is no question simple then since currently we extend the belong to to buy and make bargains to

vtu learning process control instrumentation uniport edu - Nov 25 2021

web apr 25 2023 sophistication in instrumentation chapter 14 process control instrumentation primarily intended as a text for the students pursuing instrumentation

vtu learning process control instrumentation uniport edu - Sep 04 2022

web aug 9 2023 vtu learning process control instrumentation but end occurring in harmful downloads rather than enjoying a fine ebook later a cup of coffee in the afternoon

vtu learning process control instrumentation pdf uniport edu - May 12 2023

web jun 13 2023 vtu learning process control instrumentation 2 12 downloaded from uniport edu ng on june 13 2023 by guest performance improving process

process control vaal university of technology - Jun 01 2022

web the head of department process control and computer systems faculty of engineering vaal university of technology private bag x021 vanderbijlpark 1900 tel 016

vtu instrumentation and process control question papers - Feb 26 2022

web jan 23 2023 download vtu instrumentation and process control of 6th semester chemical engineering with subject code ch64 2002 scheme question papers

vtu process control and instrumentation d c question - Dec 27 2021

web jan 23 2023 download vtu process control and instrumentation d c of 7th semester chemical engineering with subject code 17ch73 2017 scheme question

vtu what does vtu stand for the free dictionary - Mar 30 2022

web vtu is listed in the world s most authoritative dictionary of abbreviations and acronyms vtu what does vtu stand for the free dictionary for example a given vtu can

vtu learning process control instrumentation james fiore - Oct 25 2021

web kindly say the vtu learning process control instrumentation is universally compatible with any devices to read novel research and development approaches in

vtu online class course details - Feb 09 2023

web this course covers the key aspects of chemical process instrumentation the course will provide a comprehensive introduction to principles and practices of measurement of

vtu learning process control instrumentation - Sep 23 2021

web instrumentation chapter 14 process control instrumentation primarily intended as a text for the students pursuing instrumentation and control engineering this book

vtu learning process control instrumentation copy uniport edu - Aug 03 2022

web jun 12 2023 vtu learning process control instrumentation 1 10 downloaded from uniport edu ng on june 12 2023 by guest vtu learning process control

vtulearningprocessc ontrolinstrumentatio n - Apr 30 2022

web signal processing programmable logic controllers embedded system design monthly index of russian accessions transducers and instrumentation the national

vtu process control and instrumentation question papers ems - Jul 14 2023

web jan 23 2023 vtu process control and instrumentation question papers 2nd sem ems 2018 cbcs scheme vtu question papers ems 2018 scheme 2 sem process

vtu learning process control instrumentation 2023 - Jun 13 2023

web instrumentation and process control mar 27 2022 instrumentation and process control is a technician level approach to instrumentation and control techniques used

vtu learning process control instrumentation - Mar 10 2023

web download and configure vtu learning process control instrumentation therefore straightforward you cannot be confused to enjoy every book compilations vtu learning

vtu e learning process control archives inst tools - Apr 11 2023

web process control in almost all industrial process applications control of process variables is critical to the safe and efficient operation what is process control first we need to

vtulearningprocesscontrolinstrumentation 2022 - Jan 08 2023

web the topics covered include image and signal processing robotics renewable energy power systems and power drives performance attributes of mems multi sensor data

vtu instrumentation and process control question papers - Jan 28 2022

web jan 23 2023 download vtu instrumentation and process control of 7th semester chemical engineering with subject code 10ch72 2010 scheme question papers

frequently asked questions nebosh - Feb 13 2023

apr 6 2022 get the solved paper for nebosh igc exam held on 6 april 2022 boost your preparation with comprehensive answers

obe sample paper ng1 nebosh - Sep 27 2021

nebosh questions answers hse study notes - Oct 29 2021

nebosh scenario based assessments - Oct 09 2022

national versus international nebosh courses which is right for you this post breaks down how to answer scenario based assessments one of the main types of questions you ll

nebosh exam interview questions and answers hse study - Mar 02 2022

what does nebosh mean national examination board in occupational safety and health nebosh is an independent examination board delivering vocational qualifications in health

nebosh interview questions and answers hse study guide - Sep 08 2022

feb 8 2023 your nebosh learner number your learning partner s name page numbers for all pages question numbers next to each of your responses you do not need to copy out the

how to pass the nebosh diploma nd1 assessment updated - Jan 12 2023

the sba contains two parts a scenario a narrative which outlines a workplace environment and situation and a series of tasks or questions which partly or wholly rely on the scenario the

how to answer nebosh scenario based assessments - Jul 06 2022

globally recognised health safety environmental qualifications the national examination board in occupational safety and health nebosh is an awarding body established in 1979

[full form of nebosh fullforms](#) - Nov 29 2021

nebosh igc 1 questions and answers pdf updated 2022 - Feb 01 2022

nebosh igc 1 examiners reports questions answers element 2 health and safety management systems policy question describe the key features and appropriate content of

nebosh latest past paper 2022 to 2023 iss international - Sep 20 2023

feb 26 2023 our latest nebosh past paper is now available for download below this past paper includes questions from the most recent nebosh exams providing you with an

nebosh open book exam questions and answers - Jun 17 2023

nd1 sample assessment 16 april 2021 support materials 281kb pdf nebosh unit nd1 sample assessment part of the national diploma for occupational health and safety

easy nebosh igc exam questions and answers 2023 - Aug 07 2022

management of international health and safety unit igc1 for nebosh international general certificate in occupational health and safety nebosh international

nc1 sample answer sheet nebosh - Aug 19 2023

12 july 2021 support materials 70kb docx nc1 sample answer sheet for the open book examination version 1 july 2021 your download should start automatically if not download

nebosh igc questions and answers 2023 hse - Jul 18 2023

example question paper and examiners feedback on expected answers unit ngc1 management of health and safety for nebosh national general certificate in

nebosh open book exam question breakdown and - Mar 14 2023

the nebosh diploma exam requires you to answer all six 10 mark questions from section a and three 20 mark questions from a selection of 5 questions for part b by now you should

nebosh igc 6 april 2022 solved paper occupational health - Nov 10 2022

easy nebosh igc exam questions and answers 2023 hse study guide understanding the nebosh igc exam format the nebosh igc exam typically consists of two main units

[nd1 sample assessment nebosh](#) - Apr 15 2023

thinking about it tackle the nd1 assessment with confidence with astutis updated 2022 guide september 2021 in may 2023 the syllabus of the nebosh diploma changed for more

[how to plan and answer your nebosh diploma exam](#) - Dec 11 2022

top 10 nebosh interview questions and answers here are the top 10 nebosh interview questions that are frequently asked by employers along with expert crafted answers to help

[what is nebosh idiot s guide explains all rospa workplace](#) - Dec 31 2021

8 july 2020 support materials 63kb pdf open book assessment sample paper ng1 ngc1 your download should start automatically if not download directly

[home nebosh](#) - Apr 03 2022

oct 20 2012 the nebosh diploma is a prestigious and highly respected qualification ultimately enabling chartered cmiosh status divided into four units three assessed by

[nebosh ig1 open book exams answers for 8th february 2023](#) - Jun 05 2022

nebosh exam interview questions in the world of occupational health and safety the nebosh national examination board in occupational safety and health

[example question paper and examiners feedback on expected](#) - May 16 2023

find answers to frequently asked questions about the nebosh open book examination including how to register and when you will receive results

[2023 nebosh question paper pdf first aid scribd](#) - May 04 2022

nebosh igc 1 questions and answers pdf updated 2022 5 00 download nebosh igc 1 questions and answers in pdf format the pdf consists of 67 questions from past