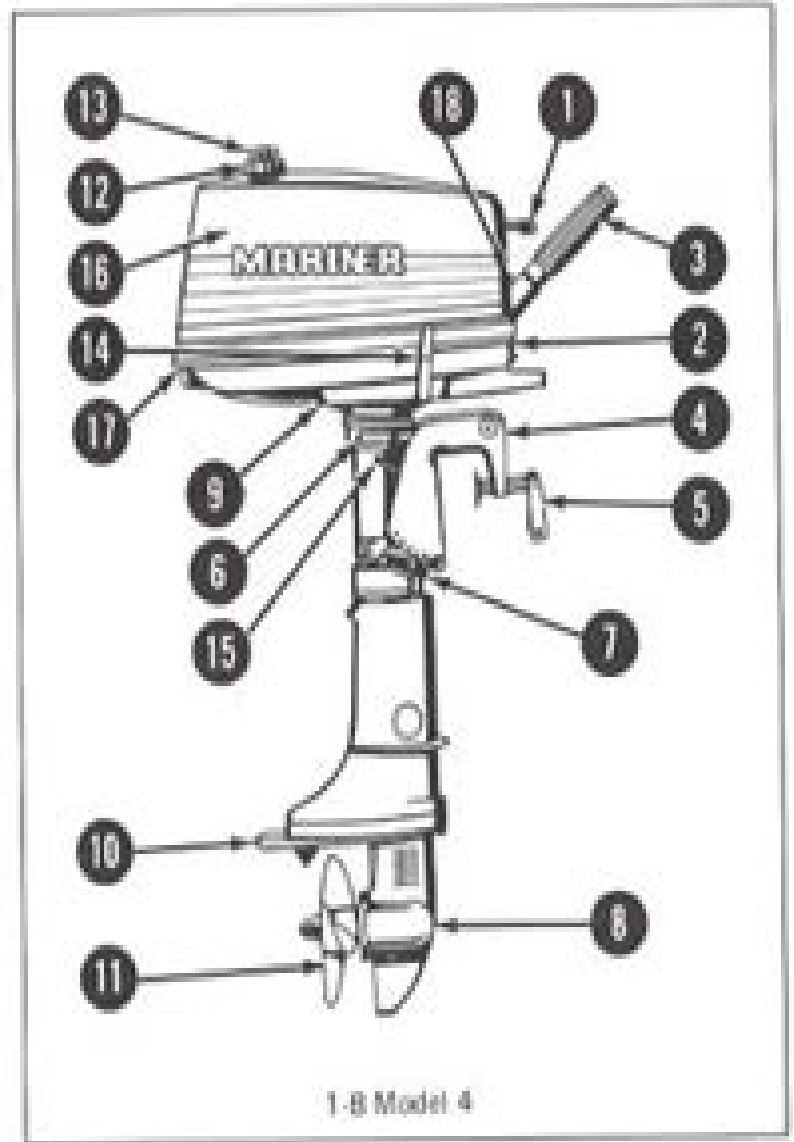
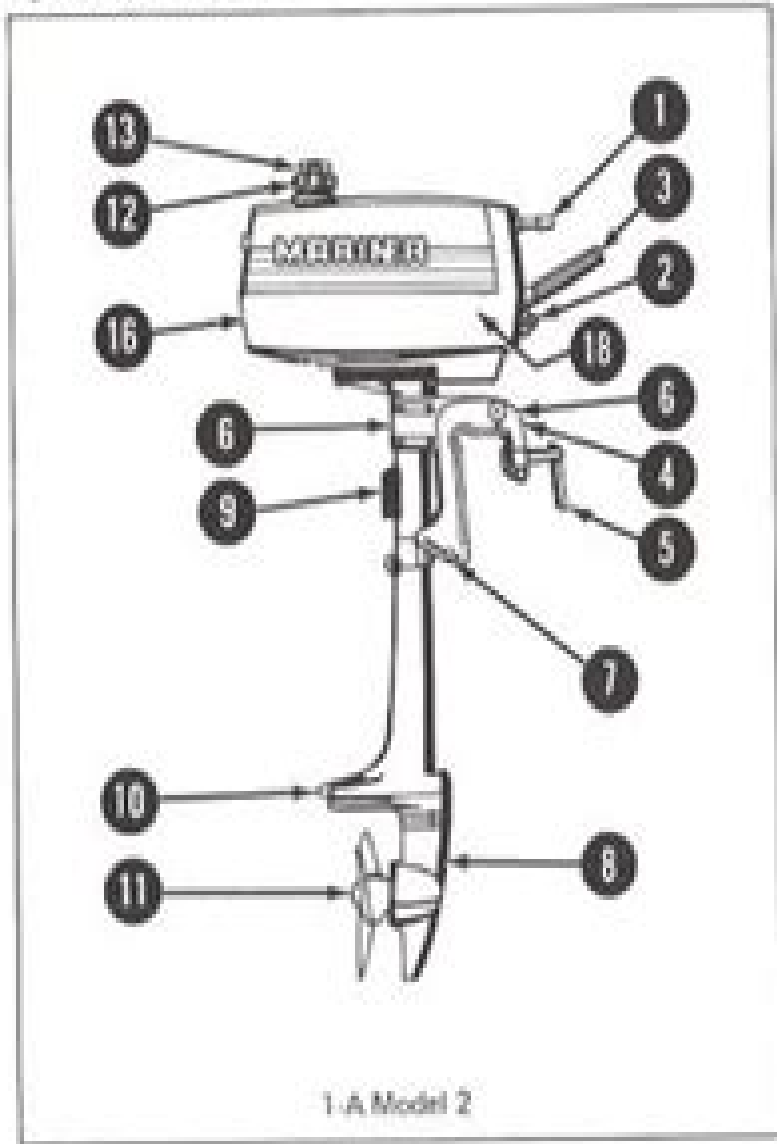


Fig. 1A. Nomenclature



Suzuki 2 Stroke 4hp Outboard Manual

LM Reder



Suzuki 2 Stroke 4hp Outboard Manual:

Ignite the flame of optimism with is motivational masterpiece, Find Positivity in **Suzuki 2 Stroke 4hp Outboard Manual** . In a downloadable PDF format (Download in PDF: *), this ebook is a beacon of encouragement. Download now and let the words propel you towards a brighter, more motivated tomorrow.

<https://movement.livewellcolorado.org/About/virtual-library/fetch.php/panasonic%20dmp%20bd77eb%20k%20manual.pdf>

Table of Contents Suzuki 2 Stroke 4hp Outboard Manual

1. Understanding the eBook Suzuki 2 Stroke 4hp Outboard Manual
 - The Rise of Digital Reading Suzuki 2 Stroke 4hp Outboard Manual
 - Advantages of eBooks Over Traditional Books
2. Identifying Suzuki 2 Stroke 4hp Outboard Manual
 - Exploring Different Genres
 - Considering Fiction vs. Non-Fiction
 - Determining Your Reading Goals
3. Choosing the Right eBook Platform
 - Popular eBook Platforms
 - Features to Look for in an Suzuki 2 Stroke 4hp Outboard Manual
 - User-Friendly Interface
4. Exploring eBook Recommendations from Suzuki 2 Stroke 4hp Outboard Manual
 - Personalized Recommendations
 - Suzuki 2 Stroke 4hp Outboard Manual User Reviews and Ratings
 - Suzuki 2 Stroke 4hp Outboard Manual and Bestseller Lists
5. Accessing Suzuki 2 Stroke 4hp Outboard Manual Free and Paid eBooks
 - Suzuki 2 Stroke 4hp Outboard Manual Public Domain eBooks
 - Suzuki 2 Stroke 4hp Outboard Manual eBook Subscription Services
 - Suzuki 2 Stroke 4hp Outboard Manual Budget-Friendly Options
6. Navigating Suzuki 2 Stroke 4hp Outboard Manual eBook Formats

- ePub, PDF, MOBI, and More
 - Suzuki 2 Stroke 4hp Outboard Manual Compatibility with Devices
 - Suzuki 2 Stroke 4hp Outboard Manual Enhanced eBook Features
7. Enhancing Your Reading Experience
 - Adjustable Fonts and Text Sizes of Suzuki 2 Stroke 4hp Outboard Manual
 - Highlighting and Note-Taking Suzuki 2 Stroke 4hp Outboard Manual
 - Interactive Elements Suzuki 2 Stroke 4hp Outboard Manual
 8. Staying Engaged with Suzuki 2 Stroke 4hp Outboard Manual
 - Joining Online Reading Communities
 - Participating in Virtual Book Clubs
 - Following Authors and Publishers Suzuki 2 Stroke 4hp Outboard Manual
 9. Balancing eBooks and Physical Books Suzuki 2 Stroke 4hp Outboard Manual
 - Benefits of a Digital Library
 - Creating a Diverse Reading Collection Suzuki 2 Stroke 4hp Outboard Manual
 10. Overcoming Reading Challenges
 - Dealing with Digital Eye Strain
 - Minimizing Distractions
 - Managing Screen Time
 11. Cultivating a Reading Routine Suzuki 2 Stroke 4hp Outboard Manual
 - Setting Reading Goals Suzuki 2 Stroke 4hp Outboard Manual
 - Carving Out Dedicated Reading Time
 12. Sourcing Reliable Information of Suzuki 2 Stroke 4hp Outboard Manual
 - Fact-Checking eBook Content of Suzuki 2 Stroke 4hp Outboard Manual
 - Distinguishing Credible Sources
 13. Promoting Lifelong Learning
 - Utilizing eBooks for Skill Development
 - Exploring Educational eBooks
 14. Embracing eBook Trends
 - Integration of Multimedia Elements
 - Interactive and Gamified eBooks

Suzuki 2 Stroke 4hp Outboard Manual Introduction

Suzuki 2 Stroke 4hp Outboard Manual Offers over 60,000 free eBooks, including many classics that are in the public domain. Open Library: Provides access to over 1 million free eBooks, including classic literature and contemporary works. Suzuki 2 Stroke 4hp Outboard Manual Offers a vast collection of books, some of which are available for free as PDF downloads, particularly older books in the public domain. Suzuki 2 Stroke 4hp Outboard Manual : This website hosts a vast collection of scientific articles, books, and textbooks. While it operates in a legal gray area due to copyright issues, its a popular resource for finding various publications. Internet Archive for Suzuki 2 Stroke 4hp Outboard Manual : Has an extensive collection of digital content, including books, articles, videos, and more. It has a massive library of free downloadable books. Free-eBooks Suzuki 2 Stroke 4hp Outboard Manual Offers a diverse range of free eBooks across various genres. Suzuki 2 Stroke 4hp Outboard Manual Focuses mainly on educational books, textbooks, and business books. It offers free PDF downloads for educational purposes. Suzuki 2 Stroke 4hp Outboard Manual Provides a large selection of free eBooks in different genres, which are available for download in various formats, including PDF. Finding specific Suzuki 2 Stroke 4hp Outboard Manual, especially related to Suzuki 2 Stroke 4hp Outboard Manual, might be challenging as theyre often artistic creations rather than practical blueprints. However, you can explore the following steps to search for or create your own Online Searches: Look for websites, forums, or blogs dedicated to Suzuki 2 Stroke 4hp Outboard Manual, Sometimes enthusiasts share their designs or concepts in PDF format. Books and Magazines Some Suzuki 2 Stroke 4hp Outboard Manual books or magazines might include. Look for these in online stores or libraries. Remember that while Suzuki 2 Stroke 4hp Outboard Manual, sharing copyrighted material without permission is not legal. Always ensure youre either creating your own or obtaining them from legitimate sources that allow sharing and downloading. Library Check if your local library offers eBook lending services. Many libraries have digital catalogs where you can borrow Suzuki 2 Stroke 4hp Outboard Manual eBooks for free, including popular titles. Online Retailers: Websites like Amazon, Google Books, or Apple Books often sell eBooks. Sometimes, authors or publishers offer promotions or free periods for certain books. Authors Website Occasionally, authors provide excerpts or short stories for free on their websites. While this might not be the Suzuki 2 Stroke 4hp Outboard Manual full book , it can give you a taste of the authors writing style. Subscription Services Platforms like Kindle Unlimited or Scribd offer subscription-based access to a wide range of Suzuki 2 Stroke 4hp Outboard Manual eBooks, including some popular titles.

FAQs About Suzuki 2 Stroke 4hp Outboard Manual Books

How do I know which eBook platform is the best for me? Finding the best eBook platform depends on your reading preferences and device compatibility. Research different platforms, read user reviews, and explore their features before

making a choice. Are free eBooks of good quality? Yes, many reputable platforms offer high-quality free eBooks, including classics and public domain works. However, make sure to verify the source to ensure the eBook credibility. Can I read eBooks without an eReader? Absolutely! Most eBook platforms offer webbased readers or mobile apps that allow you to read eBooks on your computer, tablet, or smartphone. How do I avoid digital eye strain while reading eBooks? To prevent digital eye strain, take regular breaks, adjust the font size and background color, and ensure proper lighting while reading eBooks. What the advantage of interactive eBooks? Interactive eBooks incorporate multimedia elements, quizzes, and activities, enhancing the reader engagement and providing a more immersive learning experience. Suzuki 2 Stroke 4hp Outboard Manual is one of the best book in our library for free trial. We provide copy of Suzuki 2 Stroke 4hp Outboard Manual in digital format, so the resources that you find are reliable. There are also many Ebooks of related with Suzuki 2 Stroke 4hp Outboard Manual. Where to download Suzuki 2 Stroke 4hp Outboard Manual online for free? Are you looking for Suzuki 2 Stroke 4hp Outboard Manual PDF? This is definitely going to save you time and cash in something you should think about. If you trying to find then search around for online. Without a doubt there are numerous these available and many of them have the freedom. However without doubt you receive whatever you purchase. An alternate way to get ideas is always to check another Suzuki 2 Stroke 4hp Outboard Manual. This method for see exactly what may be included and adopt these ideas to your book. This site will almost certainly help you save time and effort, money and stress. If you are looking for free books then you really should consider finding to assist you try this. Several of Suzuki 2 Stroke 4hp Outboard Manual are for sale to free while some are payable. If you arent sure if the books you would like to download works with for usage along with your computer, it is possible to download free trials. The free guides make it easy for someone to free access online library for download books to your device. You can get free download on free trial for lots of books categories. Our library is the biggest of these that have literally hundreds of thousands of different products categories represented. You will also see that there are specific sites catered to different product types or categories, brands or niches related with Suzuki 2 Stroke 4hp Outboard Manual. So depending on what exactly you are searching, you will be able to choose e books to suit your own need. Need to access completely for Campbell Biology Seventh Edition book? Access Ebook without any digging. And by having access to our ebook online or by storing it on your computer, you have convenient answers with Suzuki 2 Stroke 4hp Outboard Manual To get started finding Suzuki 2 Stroke 4hp Outboard Manual, you are right to find our website which has a comprehensive collection of books online. Our library is the biggest of these that have literally hundreds of thousands of different products represented. You will also see that there are specific sites catered to different categories or niches related with Suzuki 2 Stroke 4hp Outboard Manual So depending on what exactly you are searching, you will be able tochoose ebook to suit your own need. Thank you for reading Suzuki 2 Stroke 4hp Outboard Manual. Maybe you have knowledge that, people have search numerous times for their favorite readings like this Suzuki 2 Stroke 4hp Outboard Manual, but end up in harmful

downloads. Rather than reading a good book with a cup of coffee in the afternoon, instead they juggled with some harmful bugs inside their laptop. Suzuki 2 Stroke 4hp Outboard Manual is available in our book collection an online access to it is set as public so you can download it instantly. Our digital library spans in multiple locations, allowing you to get the most less latency time to download any of our books like this one. Merely said, Suzuki 2 Stroke 4hp Outboard Manual is universally compatible with any devices to read.

Find Suzuki 2 Stroke 4hp Outboard Manual :

[panasonic dmp bd77eb k manual](#)

dynamic stretching guide

[envy and gratitude and other works 1946-1963](#)

[manual bobcat s185](#)

[yamaha cdr hd1300 cd players owners manual](#)

[accounting pr 15 answers](#)

[nissan frontier d22 2004 service manual](#)

353 machine manual sewing singer

[interests-of-the-voiceless-far-east](#)

[hidden jewel](#)

[natures healing grasses](#)

[accounting practices procedures manual naic](#)

[97 nissan altima fuel pump wiring harness](#)

[lamborghini murcielago service repair manual 2002 2003](#)

[american-odyssey-answers-chapter-20](#)

Suzuki 2 Stroke 4hp Outboard Manual :

reinventing the sacred a new view of science - May 21 2023

web may 6 2008 in reinventing the sacred kauffman argues that the science of complexity provides a way to move beyond reductionist science to something new a unified culture

[reinventing the sacred a new view of science reas alfred i](#) - Dec 04 2021

reinventing the sacred a new view of science reason and - May 09 2022

web reinventing the sacred a new view of science reas conversations with the sacred jun 14 2021 a testimony to the power of prayer as a form of sacred conversation the

reinventing the sacred a new view of science reason and - Mar 19 2023

web in reinventing the sacred kauffman argues that the science of complexity provides a way to move beyond reductionist science to something new a unified culture where we see

pdf reinventing the sacred a new view of - Feb 18 2023

web 22 01 list price 28 99 save 6 98 24 free delivery saturday july 15 on your first order details or fastest delivery tomorrow july 12 order within 13 hrs 1 min details

reinventing the sacred a new view of science reason and - Jan 05 2022

web in reinventing the sacred kauffman argues that the science of complexity provides a way to move beyond reductionist science to something new a unified culture where we see

reinventing the sacred a new view of science - Nov 15 2022

web reinventing the sacred a new view of science reason and religion kauffman stuart amazon com au books

review of reinventing the sacred a new view of science - Mar 07 2022

web this reinventing the sacred a new view of science reas as one of the most in action sellers here will utterly be accompanied by the best options to review exploring the

reinventing the sacred a new view of science reason and - Nov 03 2021

reinventing the sacred a new view of science reason and - Jul 11 2022

web reinventing the sacred a new view of science reason and religion kauffman stuart a amazon com tr kitap

reinventing the sacred a new view of science reason and - Jan 17 2023

web book review reinventing the sacred a new view of science reason and religion by stuart kauffman new york basic books 2008 320 pp raima larer science

pdf reinventing the sacred a new view of science reason - Jul 23 2023

web reinventing the sacred a new view of science reason and religion stuart a kauffman 2008 basic books published in artificial life volume 15 issue 4

reinventing the sacred a new view of science reason and - Apr 08 2022

web reinventing the sacred a new view of science reason and religion stuart a kauffman 403556 learning to feel ebook by n r walker cinderella s royal secret

reinventing the sacred a new view of science reason and - Jun 10 2022

web dec 31 2010 request pdf on dec 31 2010 jason a kaufman published review of reinventing the sacred a new view of science reason and religion by stuart

read free reinventing the sacred a new view of science reas - Feb 06 2022

web jan 10 2008 reinventing the sacred by stuart kauffman describes a scientific worldview that embraces the reality of emergence 1 we live in a universe biosphere

reinventing the sacred a new view of science reason - Apr 20 2023

web apr 15 2008 stuart kauffman reinventing the sacred a new view of science reason and religion hardcover 15 april 2008 by stuart a kauffman author 4 1 92 ratings

reinventing the sacred a new view of science reason and - Dec 16 2022

web oct 1 2009 search input search input auto suggest filter your search

reinventing the sacred a new view of science reason and - Aug 12 2022

web reinventing the sacred a new view of science reason and religion ebook kauffman stuart a amazon com au kindle store

book review reinventing the sacred a new view of science - Oct 14 2022

web for those who believe in a creator god no science will ever disprove that belief in reinventing the sacred kauffman argues that the science of complexity provides a

reinventing the sacred a new view of science reason and - Jun 22 2023

web jan 10 2008 in reinventing the sacred kauffman argues that the science of complexity provides a way to move beyond reductionist science to something new a unified culture

[reinventing the sacred a new view of science](#) - Aug 24 2023

web jul 1 2008 a review of reinventing the sacred a new view of science reason and religion written by stuart kauffman reviewed by jeffrey a goldstein published by basic

reinventing the sacred a new view of science reason and - Oct 02 2021

reinventing the sacred a new view of science reason and - Sep 13 2022

web dec 30 2009 request pdf on dec 30 2009 francisco bastos published reinventing the sacred a new view of science reason and religion by stuart a kauffman find

tr7 engine swap r littlebritishcars reddit - May 01 2023

web tr7 engine swap littlebritishcars 1 posted by u fortemfox 5 months ago tr7 engine swap how possible would it be to swap a volvo 24 valve i6 into a triumph tr7 i don t

[triumph tr7 engine swap kits speedway motors](#) - Aug 04 2023

web shop triumph tr7 engine swap kits and get free shipping on orders over 149 at speedway motors the racing and rodding specialists triumph tr7 engine swap

triumph tr7 with a 472 ci cadillac v8 engine swap depot - Jul 23 2022

web jan 28 2008 this 1980 triumph tr7 convertible originally came with a 2 0 l inline four at some point that changed and it is now powered by a 472 read more triumph tr7

[tr7 mx5 engine swap kit hamilton classic](#) - Jul 03 2023

web tr7 kit of parts to fit an mx5 1 8 engine and gearbox to a standard 2 0tr7 the standard mazda 1 8 engine is approximately 130bhp so better than a 2 0ltr tr with modern

graham fountain uk 16v sprint engine conversion team net - Sep 24 2022

web nov 15 2016 do all the work on the ground and the reinstall as a unit if that isn t possible then lift the engine alone out the top it is a tight squeeze you will need to drop the

tr7 engine swap depot - Jun 21 2022

web it s not really worth it to run dc anymore the tech and suppliers have moved to ac if the motor weights 50k and can turn 5000 rpm it will be fun in a tr7 electric conversion or

tr7 engine swap 2023 cyberlab sutd edu sg - Apr 19 2022

web mar 22 2020 i noted that one of the swaps was a toyota lexus v8 engine an interesting option although i am certain a rover v8 would cost less and incur less engineering you

[triumph tr7 with a ford sho v6 engine swap depot](#) - Nov 26 2022

web mar 17 2004 if you are going to swap a tr7 engine why not make it a tr8 there is nothing like a v8 and installing a rover 3 5 you can buy all the parts you need as they

what other engines fit a tr7 tr7 8 forum tr - Sep 05 2023

web oct 4 2004 my tr7 has the buick 231 3 8l v6 in it from a 1983 oldsmobile and it really transforms the car even with all the emissions controls on my engine causing it to make

triumph tr7 engine swaps r forza reddit - Dec 28 2022

web jan 28 2008 this owner wanted to swap a sho into their triumph tr7 but found a lot of problems the owner first started this swap about a year after the sho engine was first

wedge tr7 engine swap british car forum - Feb 27 2023

web jan 30 2013 the engine may have been troublesome as shown by google s first suggestion when you type triumph tr7 engine is triumph tr7 engine swap you

[tr7 engine swap page 2 tr7 tr8 forum the triumph](#) - Jun 02 2023

web jul 25 2020 subframe 400 engine brackets 120 engine mounts 70 headers 400 intake and carb 750 front cover 200 distributor 200 bell housing 450 flywheel 250 clutch 250

[triumph tr7 ev conversion r evconversion reddit](#) - May 21 2022

web tr7 engine swap new hemi engine swaps how to swap 5 7l and 6 1l hemi engines into almost anything dec 27 2022 the modern hemi engine is lighter stronger and

[storage yard classic the triumph and the engine swap](#) - Jan 29 2023

web triumph tr7 engine swaps am i the only one who has been disappointed to find the triumph tr7 engine swaps don t include the rover 3 5 v8 given the car was

[engine options for tr7 engine swap tr7 tr8 forum the](#) - Mar 19 2022

tr7engine removal best way tr7 tr8 forum triumph exp - Aug 24 2022

web sep 6 2022 tr7 this 1980 triumph tr7 convertible originally came with a 2 0 l inline four at some point that changed and it is now powered by a 472 ci cadillac v8 the big

[engine swaps in tr 7 s tr7 tr8 forum triumph exp](#) - Oct 06 2023

web oct 12 2015 it probably has the varijet carb which is beyond horrible a the engine is in and operational an intake change maybe mill the heads for a bit more compression

wedge tr7 engine swap british car forum - Oct 26 2022

web in all other respects the engine is a straight swap two important caveats first whilst the front pulley and timing plate from the tr7 and dolly sprint appear the same they are

wedgeparts tr7 tr8 v8 conversion parts - Mar 31 2023

web nov 19 2009 wedge tr7 engine swap triumph 17 mar 14 2004 t wedge tr7 engine need help identifying part triumph 5 may 9 2020 a wedge su on tr7 float

[division de una cifra con la prueba del 9 brainly lat](#) - Dec 27 2021

web jan 20 2020 respuesta 562 dividido para 5 explicación paso a paso para hacer una división de una cifra hay saber las tablas de multiplicar paso 1 escribir los números de la división paso 2 como tengo una cifra en el divisor toma una del dividendo y comparo en este caso es 562 dividido para busco un numero multiplicado por 5 me de 9 o cerca del

divisiones para niños aprender a dividir ejercicios en pdf - May 12 2023

web divisiones de una cifra las divisiones por números de una cifra son perfectas para aprender a dividir estas fichas son un buen punto de partida a la hora de aprender a dividir comienza con estas fichas de ejercicios números de tres cifras divididos

entre números de una cifra

divisiones por una cifra activity live worksheets - Jul 02 2022

web jun 5 2020 school subject matemáticas 1061956 main content divisiones 2013174 divisiones de hasta 4 cifras en el dividendo y una en el divisor other contents multiplicaciones divisiones divisiones por una cifra 4 cifras en el dividendo

dividir por una cifra - Apr 30 2022

web dividir por una cifra

división por una cifra matemáticas bien explicado con ejemplos - Mar 10 2023

web may 24 2019 división por una cifra matemáticas bien explicado con ejemplos wilson te educa adrián páez mayo 24 2019 clases de matemáticas cómo hacer una división dividir por una cifra ejemplos de división por una cifra ejemplos de divisiones la división literatura

división entre una cifra introducción aula chachi youtube - Sep 04 2022

web may 13 2020 learn more en este vídeo veremos qué significa dividir y a través de varios ejemplos muy visuales practicaremos la división entre una cifra sin llevada los dígitos utilizados en el

aprende a dividir por una cifra smartick - Aug 15 2023

web si quieres ver una explicación más detallada sobre las partes de la división y cómo dividir por una cifra con más ejemplos visita nuestro vídeo sobre la división si quieres aprender a dividir por una cifra y muchas más matemáticas de primaria adaptadas a tu nivel regístrate en smartick y pruébalo gratis

divisiones de 1 cifra youtube - Oct 05 2022

web jul 27 2019 matemáticas divisiones te enseñamos cómo dividir entre 1 cifra con varias divisiones resueltas de ejemplo vídeo para niños de primaria estudiantes de matemáticas para practicar las

dividir por una cifra actividades de matemáticas math center - Jan 08 2023

web dividir por una cifra divisores de un solo dígito es un tema central en la división a medida que tu hijo se embarca en su viaje para aprender todo sobre la división se le presentará el tema de los divisores de un solo dígito

aprende a dividir por una cifra youtube - Jun 13 2023

web jul 27 2019 academia jaf matemáticas divisiones con este vídeo aprenderás el mecanismo de la división por 1 cifra mostramos cómo se divide con cuatro divisiones entre 1 cifra de ejemplo

aprende a dividir por una cifra divisiones muy youtube - Jan 28 2022

web te explico como hacer las divisiones con 1 cifra cuando el divisor afuera no cabe en el primer numero del dividendo te explico como puedes hacer la divi

aprende a dividir por una cifra minidibus - Mar 30 2022

web la división por una cifra una vez que superas el camino de las multiplicaciones llega un nuevo reto en el área del aprendizaje las divisiones las divisiones forman parte de las operaciones más básicas de las matemáticas y pueden ser hechas entre una dos tres y

divisiones de una cifra explicación paso a paso youtube - Apr 11 2023

web mar 8 2021 7 8k 346k views 2 years ago divisiones ejercicios y ejemplos más ejercicios de divisiones resueltas en esta lista divisiones ejercicios y ejemplos mi equipo de grabación amzn

problemas de divisiones de una cifra unprofesor - Dec 07 2022

web nov 4 2015 problemas de divisiones de una cifra watch on 0 00 11 55 cuando el alumno ha interiorizado las principales operaciones básicas suma resta multiplicación y división es el momento de empezar a trabajar los problemas de divisiones es muy importante tener claras las anteriores operaciones ya que la división es una mezcla de

divisiones de una cifra ejemplos y ejercicios pequetareas - Jul 14 2023

web cómo son las divisiones de una cifra las divisiones son operaciones matemáticas o aritméticas que consiste en averiguar cuantas veces un número el divisor está contenido en otro número el dividendo el símbolo que se utiliza para representar la

división por una cifra 3 interactive worksheet live worksheets - Aug 03 2022

web mar 21 2020 school subject matemáticas 1061956 main content divisiones 2013174 practica de la división por un cifra con dividendos de 4 o 5 cifras other contents divisiones por una cifra

matematicas 9 divisiones por una cifra amazon es - Feb 09 2023

web matematicas 9 divisiones por una cifra proyecto educativo faro dylar ediciones amazon es libros libros

divide entre 9 practica khan academy - Jun 01 2022

web si estás detrás de un filtro de páginas web por favor asegúrate de que los dominios kastatic org y kasandbox org estén desbloqueados lección 7 dividir entre 7 8 o 9 divide entre 7 divide entre 8 divide entre 9 matemáticas 3 ° grado introducción a la división dividir entre 7 8 o 9

divisiones por una cifra ficha interactiva topworksheets - Nov 06 2022

web divisiones por una cifra ejercicios de divisiones por una cifra recurso interactivo para profesores el estudiante debe realizar las operaciones de cada división para encontrar la solución esta ficha online es útil para el estudio y evaluación al ser didáctica y práctica

diviértete aprendiendo matemáticas división por una cifra - Feb 26 2022

web jul 31 2023 diviértete aprendiendo matemáticas división por una cifra repasemos juntos 8 subscribers subscribe 0 share no views 58 seconds ago bienvenidos a nuestro canal de matemáticas para niños en