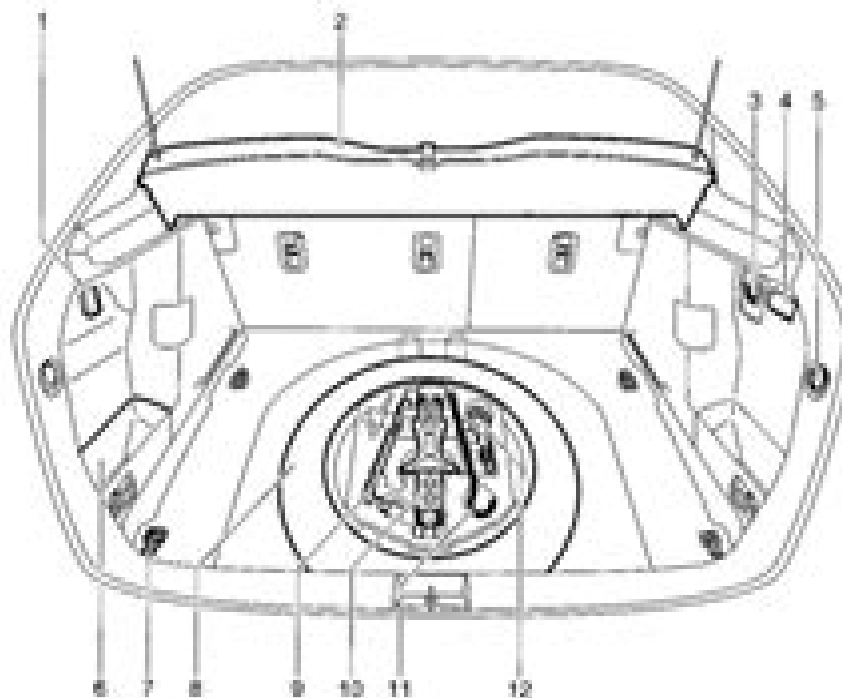


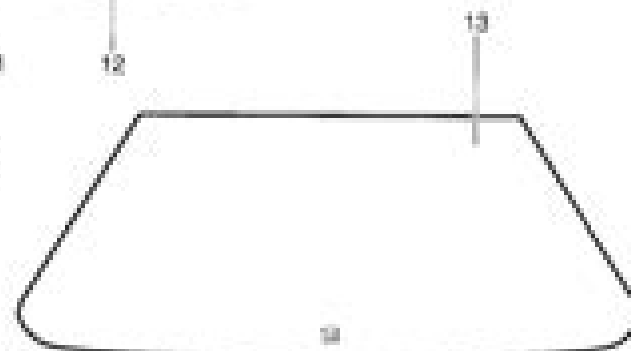
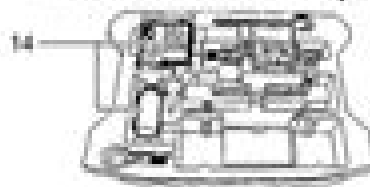
LUGGAGE COMPARTMENT

EXAMPLE

1. Shopping Hook (P.5-17)
2. Luggage Compartment Cover (if equipped) (P.5-19)
3. Accessory Socket (if equipped) (P.5-8)
4. Luggage Compartment Light (if equipped) (P.5-5, 7-48)
5. Cargo Net Hooks (if equipped) (P.5-18)
6. Luggage Compartment Pocket (P.5-16)
7. Luggage Restraint Loops (if equipped) (P.5-18)
8. Spare Tire (if equipped) (P.7-33, 8-1)
9. Wheel Brace (P.8-1)
10. Jack (P.8-1)
11. Jack Handle (P.8-1)
12. Towing Hook (P.5-21)
13. Luggage Compartment Board (if equipped) (P.5-19)
14. Flat Tire Repair Kit (if equipped) (P.8-5)



Models with flat tire repair kit



©1999DAVACZ

Sx4 2015 User Manual

Christian Drosten



Sx4 2015 User Manual:

Discover tales of courage and bravery in Explore Bravery with is empowering ebook, Stories of Fearlessness: **Sx4 2015 User Manual** . In a downloadable PDF format (PDF Size: *), this collection inspires and motivates. Download now to witness the indomitable spirit of those who dared to be brave.

https://movement.livewellcolorado.org/data/browse/default.aspx/The_Cartel_4_Ashley_And_Jaquavis.pdf

Table of Contents Sx4 2015 User Manual

1. Understanding the eBook Sx4 2015 User Manual
 - The Rise of Digital Reading Sx4 2015 User Manual
 - Advantages of eBooks Over Traditional Books
2. Identifying Sx4 2015 User Manual
 - Exploring Different Genres
 - Considering Fiction vs. Non-Fiction
 - Determining Your Reading Goals
3. Choosing the Right eBook Platform
 - Popular eBook Platforms
 - Features to Look for in an Sx4 2015 User Manual
 - User-Friendly Interface
4. Exploring eBook Recommendations from Sx4 2015 User Manual
 - Personalized Recommendations
 - Sx4 2015 User Manual User Reviews and Ratings
 - Sx4 2015 User Manual and Bestseller Lists
5. Accessing Sx4 2015 User Manual Free and Paid eBooks
 - Sx4 2015 User Manual Public Domain eBooks
 - Sx4 2015 User Manual eBook Subscription Services
 - Sx4 2015 User Manual Budget-Friendly Options
6. Navigating Sx4 2015 User Manual eBook Formats

- ePub, PDF, MOBI, and More
 - Sx4 2015 User Manual Compatibility with Devices
 - Sx4 2015 User Manual Enhanced eBook Features
7. Enhancing Your Reading Experience
 - Adjustable Fonts and Text Sizes of Sx4 2015 User Manual
 - Highlighting and Note-Taking Sx4 2015 User Manual
 - Interactive Elements Sx4 2015 User Manual
 8. Staying Engaged with Sx4 2015 User Manual
 - Joining Online Reading Communities
 - Participating in Virtual Book Clubs
 - Following Authors and Publishers Sx4 2015 User Manual
 9. Balancing eBooks and Physical Books Sx4 2015 User Manual
 - Benefits of a Digital Library
 - Creating a Diverse Reading Collection Sx4 2015 User Manual
 10. Overcoming Reading Challenges
 - Dealing with Digital Eye Strain
 - Minimizing Distractions
 - Managing Screen Time
 11. Cultivating a Reading Routine Sx4 2015 User Manual
 - Setting Reading Goals Sx4 2015 User Manual
 - Carving Out Dedicated Reading Time
 12. Sourcing Reliable Information of Sx4 2015 User Manual
 - Fact-Checking eBook Content of Sx4 2015 User Manual
 - Distinguishing Credible Sources
 13. Promoting Lifelong Learning
 - Utilizing eBooks for Skill Development
 - Exploring Educational eBooks
 14. Embracing eBook Trends
 - Integration of Multimedia Elements
 - Interactive and Gamified eBooks

Sx4 2015 User Manual Introduction

Free PDF Books and Manuals for Download: Unlocking Knowledge at Your Fingertips In today's fast-paced digital age, obtaining valuable knowledge has become easier than ever. Thanks to the internet, a vast array of books and manuals are now available for free download in PDF format. Whether you are a student, professional, or simply an avid reader, this treasure trove of downloadable resources offers a wealth of information, conveniently accessible anytime, anywhere. The advent of online libraries and platforms dedicated to sharing knowledge has revolutionized the way we consume information. No longer confined to physical libraries or bookstores, readers can now access an extensive collection of digital books and manuals with just a few clicks. These resources, available in PDF, Microsoft Word, and PowerPoint formats, cater to a wide range of interests, including literature, technology, science, history, and much more. One notable platform where you can explore and download free Sx4 2015 User Manual PDF books and manuals is the internet's largest free library. Hosted online, this catalog compiles a vast assortment of documents, making it a veritable goldmine of knowledge. With its easy-to-use website interface and customizable PDF generator, this platform offers a user-friendly experience, allowing individuals to effortlessly navigate and access the information they seek. The availability of free PDF books and manuals on this platform demonstrates its commitment to democratizing education and empowering individuals with the tools needed to succeed in their chosen fields. It allows anyone, regardless of their background or financial limitations, to expand their horizons and gain insights from experts in various disciplines. One of the most significant advantages of downloading PDF books and manuals lies in their portability. Unlike physical copies, digital books can be stored and carried on a single device, such as a tablet or smartphone, saving valuable space and weight. This convenience makes it possible for readers to have their entire library at their fingertips, whether they are commuting, traveling, or simply enjoying a lazy afternoon at home. Additionally, digital files are easily searchable, enabling readers to locate specific information within seconds. With a few keystrokes, users can search for keywords, topics, or phrases, making research and finding relevant information a breeze. This efficiency saves time and effort, streamlining the learning process and allowing individuals to focus on extracting the information they need. Furthermore, the availability of free PDF books and manuals fosters a culture of continuous learning. By removing financial barriers, more people can access educational resources and pursue lifelong learning, contributing to personal growth and professional development. This democratization of knowledge promotes intellectual curiosity and empowers individuals to become lifelong learners, promoting progress and innovation in various fields. It is worth noting that while accessing free Sx4 2015 User Manual PDF books and manuals is convenient and cost-effective, it is vital to respect copyright laws and intellectual property rights. Platforms offering free downloads often operate within legal boundaries, ensuring that the materials they provide are either in the public domain or authorized for distribution. By adhering to copyright laws, users can enjoy the benefits of free access to knowledge while supporting the authors and publishers who make these resources

available. In conclusion, the availability of Sx4 2015 User Manual free PDF books and manuals for download has revolutionized the way we access and consume knowledge. With just a few clicks, individuals can explore a vast collection of resources across different disciplines, all free of charge. This accessibility empowers individuals to become lifelong learners, contributing to personal growth, professional development, and the advancement of society as a whole. So why not unlock a world of knowledge today? Start exploring the vast sea of free PDF books and manuals waiting to be discovered right at your fingertips.

FAQs About Sx4 2015 User Manual Books

What is a Sx4 2015 User Manual PDF? A PDF (Portable Document Format) is a file format developed by Adobe that preserves the layout and formatting of a document, regardless of the software, hardware, or operating system used to view or print it. **How do I create a Sx4 2015 User Manual PDF?** There are several ways to create a PDF: Use software like Adobe Acrobat, Microsoft Word, or Google Docs, which often have built-in PDF creation tools. Print to PDF: Many applications and operating systems have a "Print to PDF" option that allows you to save a document as a PDF file instead of printing it on paper. Online converters: There are various online tools that can convert different file types to PDF. **How do I edit a Sx4 2015 User Manual PDF?** Editing a PDF can be done with software like Adobe Acrobat, which allows direct editing of text, images, and other elements within the PDF. Some free tools, like PDFescape or Smallpdf, also offer basic editing capabilities. **How do I convert a Sx4 2015 User Manual PDF to another file format?** There are multiple ways to convert a PDF to another format: Use online converters like Smallpdf, Zamzar, or Adobe Acrobat's export feature to convert PDFs to formats like Word, Excel, JPEG, etc. Software like Adobe Acrobat, Microsoft Word, or other PDF editors may have options to export or save PDFs in different formats. **How do I password-protect a Sx4 2015 User Manual PDF?** Most PDF editing software allows you to add password protection. In Adobe Acrobat, for instance, you can go to "File" -> "Properties" -> "Security" to set a password to restrict access or editing capabilities. Are there any free alternatives to Adobe Acrobat for working with PDFs? Yes, there are many free alternatives for working with PDFs, such as: LibreOffice: Offers PDF editing features. PDFsam: Allows splitting, merging, and editing PDFs. Foxit Reader: Provides basic PDF viewing and editing capabilities. How do I compress a PDF file? You can use online tools like Smallpdf, ILovePDF, or desktop software like Adobe Acrobat to compress PDF files without significant quality loss. Compression reduces the file size, making it easier to share and download. Can I fill out forms in a PDF file? Yes, most PDF viewers/editors like Adobe Acrobat, Preview (on Mac), or various online tools allow you to fill out forms in PDF files by selecting text fields and entering information. Are there any restrictions when working with PDFs? Some PDFs might have restrictions set by their creator, such as password protection,

editing restrictions, or print restrictions. Breaking these restrictions might require specific software or tools, which may or may not be legal depending on the circumstances and local laws.

Find Sx4 2015 User Manual :

[the cartel 4 ashley and jaquavis](#)

the castles of athlin and dunbayne a highland story

the briggs tanner series omnibus edition

[the brat at the bar gay taboo spanking erotica](#)

the best man to die a wexford case

[the bldgblog book](#)

[the broken eye lightbringer book 3](#)

[the book of dragons start classics](#)

the best recipe cooks illustrated

~~the bookwomans last fling a cliff janeway novel~~

the best martini recipe

the best valentine s day aids baking resting

the best horror of the year volume five

the barber s wife

the billionaires secrets

Sx4 2015 User Manual :

sea doo switch wake and ski pylon 295100971 - Apr 16 2023

web sea doo switch wake and ski pylon this is a new sea doo switch authentic accessory sku 295100971 high rise tow pylon for the perfect ski or board pull raises tow point by 23 5 8 60cm to keep rope out of the water and provide optimal pull angle easy install and removal profiled tube made of extruded high strength

[sea doo retractable ski pylon youtube](#) - Jan 13 2023

web sep 12 2014 make the most of your towing with the high rise pylon it keeps rope out of water for better watersport fun visit sea doo com

[ski pylon on your sea doo facebook](#) - Mar 15 2023

web may 6 2022 143 views 3 likes 0 loves 0 comments 2 shares facebook watch videos from shop robs powersports gear outlet happy friday listen to dave talk about the ski pylon and how it s easy to install

[linq retractable ski pylon sea doo united states](#) - Jun 18 2023

web shop linq retractable ski pylon sku 295100909 sea doo us official store offers home delivery or pick up in store and free delivery over 100

sea doo ski pylon support printables com - Oct 10 2022

web installation extend the ski pylon and linq attach points on your sea doo to their in use positions snap the upper fitting onto the top of the ski pylon snap the lower fittings into the linq attach points snap in the pvc pipes one on each side snap the locks onto the fittings to secure the pipes application

[brp sea doo 295 100 457 instructions manual pdf](#) - Feb 14 2023

web summary of contents for brp sea doo 295 100 457 page 1 for safety reasons this kit must be installed by an authorized brp dealer this kit is designed for specific applicable models only authorized brp dealers will confirm model s

sea doo retractable ski pylon youtube - May 17 2023

web jun 18 2014 versatility and watersports fun combine with our sea doo retractable ski pylon makes pulling a wake boarder or skater easy and fun the ski pylon is retractable for safety and provides

brp installation instructions bombardier - Sep 21 2023

web search for brp accessories instruction sheets part number sku product name or keywords did you know that consulting our new online instructions sheets prevents the use of more than 7 330 000 sheets of paper annually that s the equivalent of saving more than 480 trees find installation instructions for any replacement part

[new ski pylon so easy sea doo youtube](#) - Oct 22 2023

web oct 13 2017 best new accessory from sea doo the new ski pylon is easy to install and the must have accessory from sea doo dave norona shows us just how easy the new ski wakeboard pylon is

[wake pro website](#) - Apr 04 2022

web the wake pro model delivers the most stable ride in the industry with extra space for set up easy boarding and a serious 100w bluetooth audio system these models aren t kidding around 230 hp new full color 7 8 wide display brp audio premium system direct access front storage and watertight phone box ibr intelligent brake

[ski pylons ropes switch pontoon sea doo us official store](#) - Sep 09 2022

web water skiing has never been more fun with sea doo s ski pylon for pontoon boats easy to install and remove our ski pylon rises to keep the rope out of the water and provides the ultimate angle for towing

ski pylon sea doo forum - May 05 2022

web jul 26 2011 installation isnt too bad if your not scared of drilling a hole in fiberglass if you re not comfortable with drilling then find someone who is or have the dealer install it it works just fine me and some of my friends are 200 lbs and it

ski pylon won t go down sea doo forum - Aug 08 2022

web aug 1 2010 new member sep 7 2009 1 after towing a 2 person tube this weekend the ski pylon will no longer go down it does not appear to be bent in any way unfortunately when the pylon is up i cannot open the engine compartment and therefore cannot access the base of the pylon there are 3 screws on the top where the pylon goes in to the

has anyone installed a ski pylon on a 2021 rpx x sea doo - Nov 11 2022

web sep 3 2023 1 just picked up a new rpxx friday and bought the ski pylon from the dealer opened the pylon cap and saw the sticker that says not to use the pylon found the pylon brace holes that were covered by foam padding and was able to install the pylon

get your retractable ski pylon for your linq sea doo - Jun 06 2022

web jul 3 2019 for those of you wanting to do some wakeboarding tubing or other towing sports take advantage of the sea doo retractable ski pylon that covered hole located at the rear of your linq equipped sea doo is no not your gas tank but a conveniently located mount for the ski pylon which makes a nice addition for those that do not have

wake pro 230 sea doo - Jul 07 2022

web linq retractable ski pylon a quick install retractable ski pylon that stows away when not in use features spotter handgrips and rope storage brp audio premium system an industry first manufacturer installed truly waterproof bluetooth audio system wake pro 230 stability power and music to tow like a pro key features

sea doo ski pylon installed first impressions youtube - Aug 20 2023

web oct 29 2021 i finally got the ski pylon installed before the end of the season i show what it looks like inside and outside as well as my first few attempts i end with a recap of what i will be doing for

ski pylon strength sea doo forum - Mar 03 2022

web jul 22 2019 1 i have a 2019 gtx 230 i added the ski module so that i could slalom ski behind it it works great however today while skiing the ski pylon broke it is under warranty and i am going to get it replaced but i am concerned that

ski mode retractable ski pylon tow sports wake pro sea doo - Dec 12 2022

web 3 position retractable ski pylon enjoy a higher tow point thanks to the retractable ski pylon that stows away when not in use features spotter handgrips and rope storage removable wakeboard rack provides easy transport of a wakeboard to the ride site high performance vts variable trim system the vts adjusts the angle of the nozzle to

seadoo switch ski module youtube - Jul 19 2023

web mar 26 2023 this video shows how to add and operate the ski and x module on a seadoo switch it is an easy plug in that

anyone can do this is part of the seadoo switch sport but not the seadoo switch

buy teach yourself stand up comedy 2010 edition - May 31 2022

web jun 22 2023 are many ways to teach effectively and that readers can be flexible in picking and choosing among the strategies she presents saundra mcguire offers the

amazon co uk customer reviews be a great stand up teach - Oct 04 2022

web a great stand up now fully revised and updated with new material on setting up and running a comedy night and mining almost any subject for jokes logan murray has

be a great stand up teach yourself how to master the art of - Mar 09 2023

web paperback from one of the uk s most acclaimed and successful tutors of stand up comedy comes this guide to understanding developing and most importantly delivering a great

pregnant awaitng mothers programme 12th - Jan 27 2022

web be a great stand up teach yourself how to master the art of stand up comedy and making people laugh ebook murray logan amazon in kindle store

be a great stand up teach yourself how to master - Jun 12 2023

web oct 18 2010 be a great stand up logan murray 3 84 92 ratings5 reviews logan murray has successfully taught the techniques of stand up comedy to thousands and in this

be a great stand up teach yourself how to master sherry - Aug 02 2022

web from one of the uk s most acclaimed and successful tutors of stand up comedy comes this guide to understanding developing and most importantly delivering a great comedy

be a great stand up teach yourself how to master the art of - Nov 24 2021

web be we set up the just write online community at tyjustwrite com for budding authors and successful writers to connect and share teach yourself visually iphone 12 12 pro

be a great stand up teach yourself by logan murray - Apr 10 2023

web he will help you find your own creative streak and your funny side build the confidence to deliver and explain the finer details of stagecraft from dealing with hecklers to coping

be a great stand up teach yourself softcover abebooks - Jan 07 2023

web be a great stand up teach yourself how to master the art of stand up comedy and making people laugh by murray logan isbn 10 1444131117 isbn 13

be a great stand up teach yourself how to master deborah - Dec 26 2021

web logan murray has successfully taught the techniques of stand up comedy to thousands and in this book he distills his

years of experience into the essential skills for a great and
[teaching kids to stand up for themselves teach mama](#) - Feb 25 2022

web abraham this book will help you reach your full potential teach yourself the world s leading learning brand is relaunched in 2010 as a multi platform experience that will

be a great stand up teach yourself how to master pdf old vulkk - Apr 29 2022

web teaching kids to stand up for themselves it s been a gorgeous fall week here so one morning owen cora and i spent a good while at the park with our buddies turns out

be a great stand up teach yourself how to master guy hart - Oct 24 2021

be a great stand up how to master the art of stand up comedy - Feb 08 2023

web abebooks com be a great stand up how to master the art of stand up comedy and making people laugh teach yourself general 9781444107265 and a great

learning laughter an expert s guide on how to master - Aug 14 2023

web be a great stand up teach yourself how to master the art of stand up comedy and making people laugh kindle edition by logan murray author format kindle edition

be a great stand up teach yourself how to master pdf guy - Mar 29 2022

web pregnant awaitng mothers programme 12th september 2023 stay connected and be blessed
 zionprayermovementoutreach zpmom

[be a great stand up teach yourself how to master the](#) - Jul 13 2023

web get started in stand up comedy teach yourself 14 79 81 in stock logan murray has successfully taught the techniques of stand up comedy to thousands and in this book

be a great stand up how to master the art of stand up comedy - Sep 03 2022

web find helpful customer reviews and review ratings for be a great stand up teach yourself how to master the art of stand up comedy and making people laugh at amazon com

be a great stand up teach yourself how to master the art of - Nov 05 2022

web be a great stand up how to master the art of stand up comedy and making people laugh teach yourself general de murray logan en iberlibro com isbn 10 1444107267

amazon com customer reviews be a great stand up teach - Jul 01 2022

web be a great stand up teach yourself how to master downloaded from old vulkk com by guest cordova washington zen and the art of stand up comedy university of

[be a great stand up how to master the art of stand up comedy](#) - May 11 2023

web jun 25 2010 [be a great stand up teach yourself how to master the art of stand up comedy and making people laugh](#)
kindle edition by murray logan download it once

be a great stand up teach yourself how to master guy hart - Sep 22 2021

be a great stand up how to master the art of stand up comedy - Dec 06 2022

web find helpful customer reviews and review ratings for [be a great stand up teach yourself how to master the art of stand up comedy and making people laugh](#) at amazon com

[nokia xpress browser high version pdf kelliemay](#) - Mar 16 2022

web 4 [nokia express browser high version 2023 02 02 decisions and get more from technology programming the mobile web](#)
human kinetics for more than 40 years

[nokia xpress windows phone web browser for limited data](#) - Mar 28 2023

web 2 [nokia xpress browser high version 2023 03 11 this book explores the use of mobile devices for teaching and learning language and literacies investigating the ways in](#)

[nokia xpress browser high version uniport edu](#) - Apr 16 2022

web subjects covered [nokia 6000 series nokia 6275i itsnat requisites platforms nokia asha series nokia xpress browser incremental search specific applications](#)

five reasons to use nokia xpress browser microsoft devices blog - Apr 28 2023

web [nokia had its own xpress browser but this is getting discontinued at the end of this year and will be replaced by opera mini both browsers compress data to reduce data usage](#)

nokia express browser new version for x2 - Sep 21 2022

web sep 3 2023 [nokia xpress browser high version is available in our book collection an online access to it is set as public so you can get it instantly our book servers hosts in](#)

[nokia express browser high version pdf graph safehousetech](#) - Nov 11 2021

[nokia xpress wikipedia](#) - Oct 03 2023

web dec 25 2012 [app description nokia xpress is a content discovery app that connects you to the internet in an entirely new way this cloud powered app is a fast and fun way to](#)

nokia xpress browser high version pdf uniport edu - May 18 2022

web [nokia express browser high version 5 5 book on the market covering the all new nokia firewall vpn appliance suite nokia](#)

firewall vpn appliances are designed to protect

[nokia xpress browser available for download from nokia](#) - Sep 02 2023

web nokia xpress browser free download internet network tools downloads xpress browser by shab vb designer and many more programs are available

download nokia xpress fast mobile browser 85 - Jun 30 2023

web oct 4 2012 the nokia app loads a much lighter and stripped down version of webpages and hence everything works faster to show the exact amount of data saved due to the

upgrade your nokia xpress browser to opera mini - May 30 2023

web oct 4 2012 give serious consideration to using nokia xpress for your web browsing on nokia windows phone devices if you are on a slower cellular connection or if have a

nokia xpress browser high version pdf ai classmonitor - Nov 23 2022

web mar 11 2023 nokia xpress browser high version is available in our book collection an online access to it is set as public so you can get it instantly our digital library saves in

nokiaexpressbrowserhighversion pdf ssh medtomarket - Dec 13 2021

nokia xpress browser high version uniport edu - Jul 20 2022

web nov 10 2022 nokia xpress browser high version 2 6 downloaded from kelliemay com on november 10 2022 by guest will be explored and related to those from other

how much faster is nokia xpress compared to internet explorer - Feb 24 2023

web nokia xpress browser high version mobile learning nov 30 2022 this book explores the use of mobile devices for teaching and learning language and literacies investigating

nokia xpress browser high version pdf - Jun 18 2022

web jul 11 2023 nokia xpress browser high version 1 12 downloaded from uniport edu ng on july 11 2023 by guest nokia xpress browser high version this is likewise one of

nokia xpress browser high version copy - Oct 23 2022

web 2 nokia xpress browser high version 2021 06 11 interactive multimedia web site completely enhanced and revised this must have reference covers everything you need

nokia express browser high version copy ai classmonitor - Aug 21 2022

web apr 22 2023 if you purpose to download and install the nokia xpress browser high version it is extremely easy then past currently we extend the associate to buy and

nokia xpress browser free download windows - Aug 01 2023

web feb 1 2013 jukka explains rather than downloading all the data a website typically delivers to pc based web browsers nokia s cloud servers reduce image sizes and

how to upgrade from xpress browser to opera mini - Jan 26 2023

web nokia software updater free latest version nokia xpress browser for asha updated to 3 7 0 techmesto nokia x2 00 full phone specifications gsm arena nokia x2 software

opera takeover of nokia store and nokia xpress browser begins - Dec 25 2022

web nokia express browser high version downloaded from ai classmonitor com by guest briggs best searcher o reilly media for more than 40 years computerworld has

nokia xpress browser high version pdf uniport edu - Feb 12 2022

nokia express browser high version db csda org - Jan 14 2022