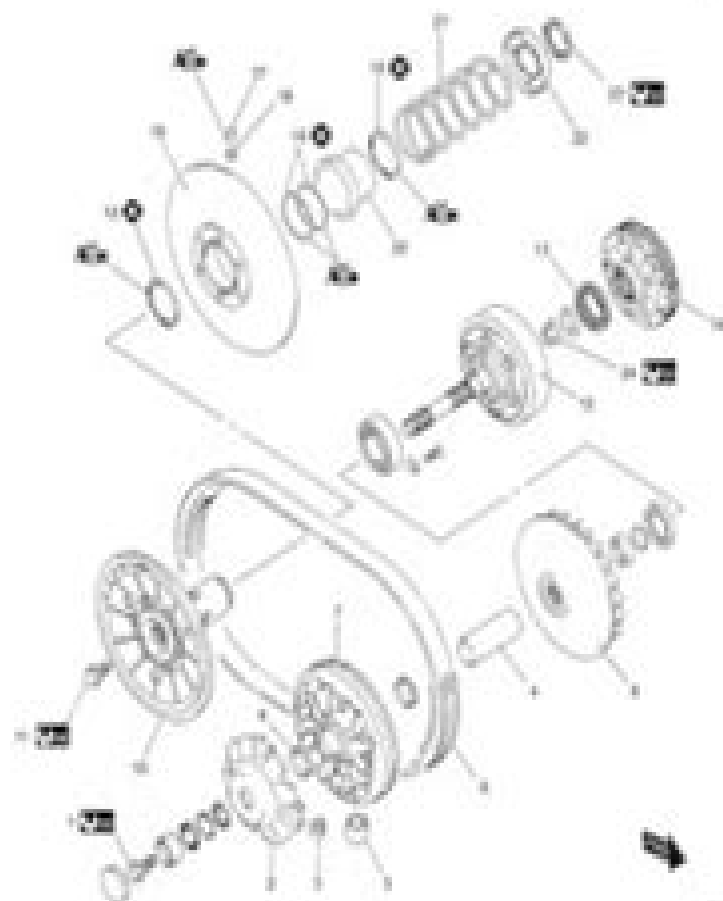


Repair Instructions

Automatic Transmission Components

44-2000000

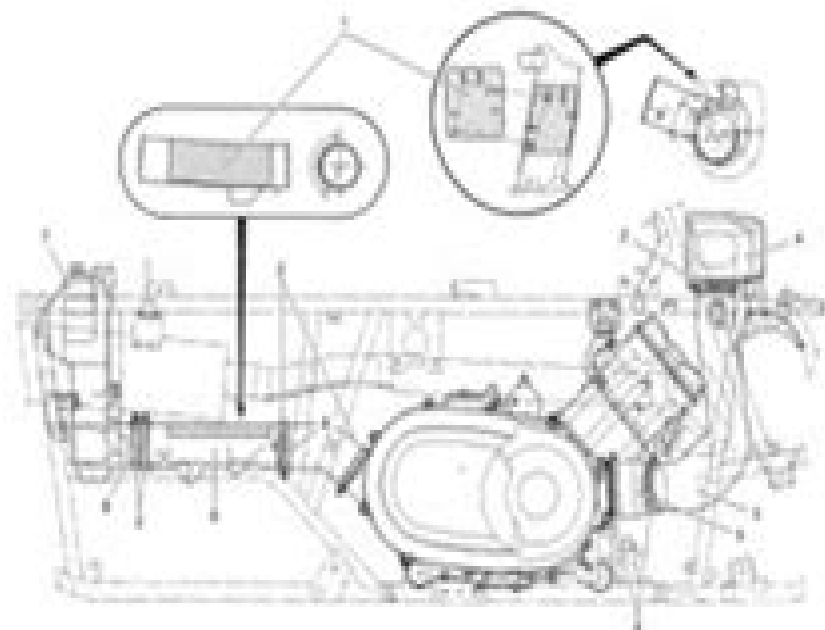


44-2000000

1. Input shaft	11. Output shaft	21. Gear
2. Input shaft seal	12. Output shaft seal	22. Gear
3. Input shaft nut	13. Output shaft nut	23. Gear
4. Input shaft lock	14. Output shaft lock	24. Gear
5. Input shaft lock nut	15. Output shaft lock nut	25. Gear
6. Input shaft lock washer	16. Output shaft lock washer	26. Gear
7. Input shaft lock pin	17. Output shaft lock pin	27. Gear
8. Input shaft lock pin nut	18. Output shaft lock pin nut	28. Gear
9. Input shaft lock pin washer	19. Output shaft lock pin washer	29. Gear
10. Input shaft lock pin pin	20. Output shaft lock pin pin	

Wheel Cooling Duct Construction

44-2000000



44-2000000

1. Wheel	2. Wheel hub	3. Wheel bearing
4. Tire	5. Wheel rim	6. Wheel lock
7. Wheel lock nut	8. Wheel lock washer	9. Wheel lock pin

Wheel Cooling Duct Removal and Installation

44-2000000

Removal

- 1) Remove the right lower fender. Refer to "Front Side Exterior Parts Removal and Installation" in Section 40 (Page 40-1).
- 2) Loosen the string wires and remove the wheel cooling duct assembly (1).



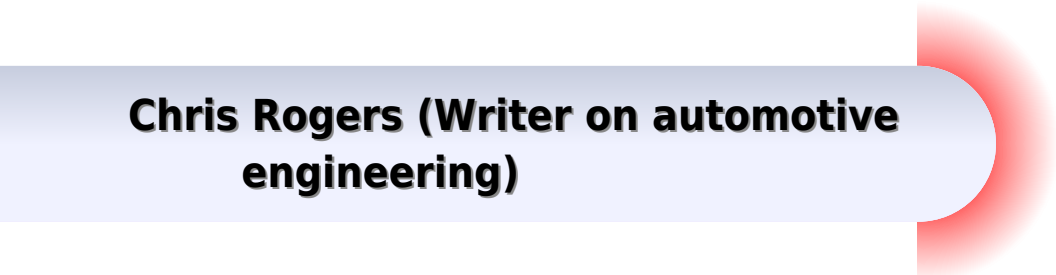
3) Remove the rear cover (2).



44-2000000

Suzuki King Quad 750 Manual Operateing

Chris Rogers (Writer on automotive engineering)



Suzuki King Quad 750 Manual Operating:

Books in Print Supplement ,2002 **Forthcoming Books** Rose Army,2000-06 **American Motorcyclist** ,1990-08
American Motorcyclist magazine the official journal of the American Motorcyclist Association tells the stories of the people who make motorcycling the sport that it is It s available monthly to AMA members Become a part of the largest most diverse and most enthusiastic group of riders in the country by visiting our website or calling 800 AMA JOIN **Farmers and Consumers Market Bulletin** ,2011 **The Autocar** ,1987 *Cycle World* ,1989 **Suzuki GT 750 Owners Workshop Manual** Mansur Darlington, Haynes Publishing Group,1983 **Suzuki GS750 and GS550 Owners Workshop Manual** Mansur Darlington,1978 *Suzuki DR 750S Service Manual* ,1988 **Suzuki GS 750 and GS 550 Owner's Workshop Manual** Mansur Darlington,1978 Suzuki FZ50 Martin Meek,1980 **Suzuki Quad Racer LT250R** Penton Staff,2000-05-24 LT250R 1985 1992 Suzuki GS550 and GS750 Fours Owners Workshop Manual, No. M363 John Haynes,1996-06-29 Haynes disassembles every subject vehicle and documents every step with thorough instructions and clear photos Haynes repair manuals are used by the pros but written for the do it yourselfer **Suzuki GSX-R600 and 750 Service and Repair Manual** Matthew Coombs,2009 GSX R600K6 599cc 2006 GSX R600K7 599cc 2007 GSX R600K8 599cc 2008 GSX R600K9 599cc 2009 GSX R750K6 750cc 2006 GSX R750K7 750cc 2007 GSX R750K8 750cc 2008 GSX R750K9 750cc 2009 Suzuki C550 & 80 Roadie Owners Workshop Manual Jeremy Churchill,1984 **Suzuki FZ50 Suzy Owners Workshop Manual** Martyn Meek,Pete Shoemark,1987 **Suzuki TS50 X Owners Workshop Manual** Richard Stone,1993 **Suzuki Trail Bikes Owners Workshop Manual** Chris Rogers (Writer on automotive engineering),1982
Suzuki GSXR 750 Service Manual ,1990 *Suzuki GP 100 & 125 Owners Workshop Manual* Chris Rogers,1982-01-01

Thank you very much for reading **Suzuki King Quad 750 Manual Operateing**. As you may know, people have search numerous times for their favorite books like this Suzuki King Quad 750 Manual Operateing, but end up in harmful downloads.

Rather than reading a good book with a cup of coffee in the afternoon, instead they cope with some harmful bugs inside their computer.

Suzuki King Quad 750 Manual Operateing is available in our digital library an online access to it is set as public so you can download it instantly.

Our digital library hosts in multiple countries, allowing you to get the most less latency time to download any of our books like this one.

Merely said, the Suzuki King Quad 750 Manual Operateing is universally compatible with any devices to read

<https://movement.livewellcolorado.org/About/virtual-library/index.jsp/solutions%20manual%20to%20genetics%20hartwell%203rd%20edition.pdf>

Table of Contents Suzuki King Quad 750 Manual Operateing

1. Understanding the eBook Suzuki King Quad 750 Manual Operateing
 - The Rise of Digital Reading Suzuki King Quad 750 Manual Operateing
 - Advantages of eBooks Over Traditional Books
2. Identifying Suzuki King Quad 750 Manual Operateing
 - Exploring Different Genres
 - Considering Fiction vs. Non-Fiction
 - Determining Your Reading Goals
3. Choosing the Right eBook Platform
 - Popular eBook Platforms
 - Features to Look for in an Suzuki King Quad 750 Manual Operateing
 - User-Friendly Interface

4. Exploring eBook Recommendations from Suzuki King Quad 750 Manual Operating
 - Personalized Recommendations
 - Suzuki King Quad 750 Manual Operating User Reviews and Ratings
 - Suzuki King Quad 750 Manual Operating and Bestseller Lists
5. Accessing Suzuki King Quad 750 Manual Operating Free and Paid eBooks
 - Suzuki King Quad 750 Manual Operating Public Domain eBooks
 - Suzuki King Quad 750 Manual Operating eBook Subscription Services
 - Suzuki King Quad 750 Manual Operating Budget-Friendly Options
6. Navigating Suzuki King Quad 750 Manual Operating eBook Formats
 - ePub, PDF, MOBI, and More
 - Suzuki King Quad 750 Manual Operating Compatibility with Devices
 - Suzuki King Quad 750 Manual Operating Enhanced eBook Features
7. Enhancing Your Reading Experience
 - Adjustable Fonts and Text Sizes of Suzuki King Quad 750 Manual Operating
 - Highlighting and Note-Taking Suzuki King Quad 750 Manual Operating
 - Interactive Elements Suzuki King Quad 750 Manual Operating
8. Staying Engaged with Suzuki King Quad 750 Manual Operating
 - Joining Online Reading Communities
 - Participating in Virtual Book Clubs
 - Following Authors and Publishers Suzuki King Quad 750 Manual Operating
9. Balancing eBooks and Physical Books Suzuki King Quad 750 Manual Operating
 - Benefits of a Digital Library
 - Creating a Diverse Reading Collection Suzuki King Quad 750 Manual Operating
10. Overcoming Reading Challenges
 - Dealing with Digital Eye Strain
 - Minimizing Distractions
 - Managing Screen Time
11. Cultivating a Reading Routine Suzuki King Quad 750 Manual Operating
 - Setting Reading Goals Suzuki King Quad 750 Manual Operating
 - Carving Out Dedicated Reading Time

12. Sourcing Reliable Information of Suzuki King Quad 750 Manual Operateing
 - Fact-Checking eBook Content of Suzuki King Quad 750 Manual Operateing
 - Distinguishing Credible Sources
13. Promoting Lifelong Learning
 - Utilizing eBooks for Skill Development
 - Exploring Educational eBooks
14. Embracing eBook Trends
 - Integration of Multimedia Elements
 - Interactive and Gamified eBooks

Suzuki King Quad 750 Manual Operateing Introduction

In todays digital age, the availability of Suzuki King Quad 750 Manual Operateing books and manuals for download has revolutionized the way we access information. Gone are the days of physically flipping through pages and carrying heavy textbooks or manuals. With just a few clicks, we can now access a wealth of knowledge from the comfort of our own homes or on the go. This article will explore the advantages of Suzuki King Quad 750 Manual Operateing books and manuals for download, along with some popular platforms that offer these resources. One of the significant advantages of Suzuki King Quad 750 Manual Operateing books and manuals for download is the cost-saving aspect. Traditional books and manuals can be costly, especially if you need to purchase several of them for educational or professional purposes. By accessing Suzuki King Quad 750 Manual Operateing versions, you eliminate the need to spend money on physical copies. This not only saves you money but also reduces the environmental impact associated with book production and transportation. Furthermore, Suzuki King Quad 750 Manual Operateing books and manuals for download are incredibly convenient. With just a computer or smartphone and an internet connection, you can access a vast library of resources on any subject imaginable. Whether youre a student looking for textbooks, a professional seeking industry-specific manuals, or someone interested in self-improvement, these digital resources provide an efficient and accessible means of acquiring knowledge. Moreover, PDF books and manuals offer a range of benefits compared to other digital formats. PDF files are designed to retain their formatting regardless of the device used to open them. This ensures that the content appears exactly as intended by the author, with no loss of formatting or missing graphics. Additionally, PDF files can be easily annotated, bookmarked, and searched for specific terms, making them highly practical for studying or referencing. When it comes to accessing Suzuki King Quad 750 Manual Operateing books and manuals, several platforms offer an extensive collection of resources. One such platform is Project Gutenberg, a nonprofit organization that provides over 60,000 free eBooks. These books are primarily in

the public domain, meaning they can be freely distributed and downloaded. Project Gutenberg offers a wide range of classic literature, making it an excellent resource for literature enthusiasts. Another popular platform for Suzuki King Quad 750 Manual Operateing books and manuals is Open Library. Open Library is an initiative of the Internet Archive, a non-profit organization dedicated to digitizing cultural artifacts and making them accessible to the public. Open Library hosts millions of books, including both public domain works and contemporary titles. It also allows users to borrow digital copies of certain books for a limited period, similar to a library lending system. Additionally, many universities and educational institutions have their own digital libraries that provide free access to PDF books and manuals. These libraries often offer academic texts, research papers, and technical manuals, making them invaluable resources for students and researchers. Some notable examples include MIT OpenCourseWare, which offers free access to course materials from the Massachusetts Institute of Technology, and the Digital Public Library of America, which provides a vast collection of digitized books and historical documents. In conclusion, Suzuki King Quad 750 Manual Operateing books and manuals for download have transformed the way we access information. They provide a cost-effective and convenient means of acquiring knowledge, offering the ability to access a vast library of resources at our fingertips. With platforms like Project Gutenberg, Open Library, and various digital libraries offered by educational institutions, we have access to an ever-expanding collection of books and manuals. Whether for educational, professional, or personal purposes, these digital resources serve as valuable tools for continuous learning and self-improvement. So why not take advantage of the vast world of Suzuki King Quad 750 Manual Operateing books and manuals for download and embark on your journey of knowledge?

FAQs About Suzuki King Quad 750 Manual Operateing Books

How do I know which eBook platform is the best for me? Finding the best eBook platform depends on your reading preferences and device compatibility. Research different platforms, read user reviews, and explore their features before making a choice. Are free eBooks of good quality? Yes, many reputable platforms offer high-quality free eBooks, including classics and public domain works. However, make sure to verify the source to ensure the eBook credibility. Can I read eBooks without an eReader? Absolutely! Most eBook platforms offer web-based readers or mobile apps that allow you to read eBooks on your computer, tablet, or smartphone. How do I avoid digital eye strain while reading eBooks? To prevent digital eye strain, take regular breaks, adjust the font size and background color, and ensure proper lighting while reading eBooks. What the advantage of interactive eBooks? Interactive eBooks incorporate multimedia elements, quizzes, and activities, enhancing the reader engagement and providing a more immersive learning experience. Suzuki King Quad 750 Manual Operateing is one of the best book in our library for free trial. We provide copy of Suzuki King Quad 750 Manual Operateing

in digital format, so the resources that you find are reliable. There are also many Ebooks of related with Suzuki King Quad 750 Manual Operateing. Where to download Suzuki King Quad 750 Manual Operateing online for free? Are you looking for Suzuki King Quad 750 Manual Operateing PDF? This is definitely going to save you time and cash in something you should think about.

Find Suzuki King Quad 750 Manual Operateing :

solutions manual to genetics hartwell 3rd edition

[sony avd c700es manual](#)

solutions manual for townsend quantum mechanics

sony bloggic touch camera manual

sony bd rmt b104a manual

[sony bravia kdl 46s3000 service manual repair guide](#)

solutions manual of discrete time signal processing oppenheim schaffer

solutions manual strategic management hitt ireland

solutions upper intermediate workbook key unit 5

sony bravia kdl40ex403 manual

[sony bluray bdp s360 manual](#)

[somethings gotta give](#)

[solutions upper intermediate workbook answers unit 2](#)

sony a550 manual

[sony auto cd player](#)

Suzuki King Quad 750 Manual Operateing :

mugaritz puntos de fuga spanish edition by andoni luis aduriz - May 18 2022

web mugaritz puntos de fuga spanish edition it mugaritz a natural science of cooking lingua es andoni luis aduriz libros las mujeres vindicadas de las calumnias de los hombres de 65 mejores imgenes de books worth reading en 2020 mugaritz puntos de fuga grandes chefs de mugaritz mugaritz puntos de fuga versin castellano

[mugaritz puntos de fuga grandes chefs amazon es - Aug 01 2023](#)

web puntos de fuga grandes chefs tapa dura 26 marzo 2019 si existe un sexto sabor es el sabor de las historias por eso más

que un libro de cocina se trata de un relato íntimo y temerario sobre cómo mugaritz vive la cocina haciendo de la creatividad el mejor ingrediente para inspirar sorprender y provocar a comensales del mundo entero

mugaritz mugaritz puntos de fuga versión castellano - Apr 16 2022

web mugaritz mugaritz puntos de fuga versión castellano go to content go to main menu this website uses cookies both its own and those of third parties select the option of cookies that you prefer to navigate even its total deactivation

mugaritz puntos de fuga hardcover amazon co uk - Oct 23 2022

web buy mugaritz puntos de fuga by isbn 9788408203612 from amazon s book store everyday low prices and free delivery on eligible orders

mugaritz puntos de fuga spanish edition copy uniport edu - Jun 18 2022

web mugaritz puntos de fuga spanish edition 2 10 downloaded from uniport edu ng on april 23 2023 by guest sometimes diverge chapters draw on cases around the world including iran italy japan kenya and the us and include topics such as national identity food insecurity and the phenomenon of knowledge contributions represent a

mugaritz puntos de fuga grandes chefs spanish edition - Oct 03 2023

web may 28 2019 mugaritz puntos de fuga grandes chefs spanish edition kindle edition spanish edition by andoni luis aduriz author format kindle edition 4 7 61 ratings see all formats and editions kindle 6 99 read with our free app hardcover 62 96 1 used from 100 53 7 new from 47 07

mugaritz mugaritz puntos de fuga versión castellano - Jun 30 2023

web abrir la mente y no solo la boca más que un libro de cocina puntos de fuga es un relato íntimo y temerario sobre cómo mugaritz vive la cocina haciendo de la creatividad el mejor ingrediente para inspirar sorprender y provocar a comensales del mundo entero para andoni luis aduriz la comida es el mejor pretexto para cruzar fronteras y

amazon com mugaritz puntos de fuga grandes chefs spanish edition - May 30 2023

web amazon com mugaritz puntos de fuga grandes chefs spanish edition ebook aduriz andoni luis luis aduriz andoni tienda kindle omitir e ir al contenido principal

pdf mugaritz puntos de fuga by andoni luis aduriz perlego - Jan 26 2023

web para andoni luis aduriz la comida es el mejor pretexto para cruzar fronteras y explorar territorios mientras se transforman ideas en expresiones comestibles con este libro mugaritz insiste en desatornillar paradigmas en acelerar el presente de la gastronomía y sobre todo en proyectar rampas hacia el mañana manteniendo intacta una misma

mugaritz mugaritz puntos de fuga versión castellano - Sep 02 2023

web mugaritz puntos de fuga versión castellano mugaritz puntos de fuga versión castellano mugaritz puntos de fuga versión castellano to open the mind not just the mouth more than a cookbook this book is an intimate and daring story about how

mugaritz experiences cooking using creativity as the most suitable ingredient to inspire surprise

mugaritz puntos de fuga amazon com - Mar 16 2022

web mar 26 2019 mugaritz puntos de fuga hardcover march 26 2019 spanish edition by andoni luis aduriz author 4 7 4 7 out of 5 stars 60 ratings see all formats and editions sorry a natural science of cooking spanish

mugaritz puntos de fuga grandes chefs spanish edition - Mar 28 2023

web may 28 2019 mugaritz puntos de fuga grandes chefs spanish edition ebook aduriz andoni luis luis aduriz andoni amazon co uk kindle store

mugaritz puntos de fuga spanish edition on galleon philippines - Feb 24 2023

web si existe un sexto sabor es el sabor de las historias por eso más que un libro de cocina se trata de un relato íntimo y temerario sobre cómo mugaritz vive la cocina haciendo de la creatividad el mejor ingrediente para inspirar sorprender y provocar a comensales del mundo entero para andoni luis aduriz la comida es el mejor pretexto para cruzar

pdf mugaritz puntos de fuga spanish edition - Aug 21 2022

web mugaritz puntos de fuga spanish edition etymological and pronouncing dictionary of difficult words oct 24 2019 wall to wall law as culture in latin america and spain guide to spanish synonyms and their usage fugas de vida dec 07 2020 foreigners in the homeland apr 30 2020

mugaritz puntos de fuga amazon sg books - Sep 21 2022

web hello sign in account lists returns orders cart

mugaritz puntos de fuga luis aduriz andoni 9788408203612 - Dec 25 2022

web mugaritz puntos de fuga by luis aduriz andoni isbn 10 8408203614 isbn 13 9788408203612 planeta gastro 2019 hardcover skip to this specific isbn edition is currently not available view all copies of this isbn

mugaritz puntos de fuga andoni luis aduriz planetadelibros - Apr 28 2023

web entre los chefs más inspiradores de nuestro tiempo andoni luis aduriz abandera una de las propuestas más creativas y provocadoras de la gastronomía actual en mugaritz el proyecto que sembró hace 20 años en errenteria país vasco por el que ha merecido 2 estrellas michelin y ha sido incluido durante 12 años consecutivos en el top 10 de la lista

download free mugaritz puntos de fuga spanish edition - Jul 20 2022

web mugaritz puntos de fuga spanish edition 68000 spanish english english spanish vocabulary jan 20 2022 68000 spanish english english spanish vocabulary is a list of more than 68000 words translated from spanish to english as well as translated from english to spanish easy to use great for tourists and spanish speakers

mugaritz puntos de fuga grandes chefs spanish edition kindle edition - Nov 23 2022

web amazon com mugaritz puntos de fuga grandes chefs spanish edition ebook aduriz andoni luis luis aduriz andoni kindle

store

watercolor painting singapore at night paintingbeginners - Sep 07 2022

web about press copyright contact us creators advertise developers press copyright contact us creators advertise developers

rembrandt s the night watch lies flat on its belly for restoration - Jul 05 2022

web jan 21 2022 completed in 1642 the painting which measures 3 8 x 4 5 metres and weighs 337 kilograms is rich in details it portrays the captain of an amsterdam city militia ordering his men into action

painting with light national gallery of singapore - Aug 18 2023

web painting with light festival of international films on art is an annual film festival presented by national gallery singapore

why rembrandt s the night watch is still a mystery bbc - Nov 09 2022

web feb 15 2019 as well as losing two figures on the left the painting lost much of its airy architectural space and the once off centre figures of banning cocq and his second in command van ruytenburch was now

painting service in singapore with 5 years warranty 2023 - Jan 31 2022

web cost of painting service 1 bedroom hdb from sgd250 2 room hdb from sgd650 3 room hdb from sgd750 4 room hdb

nightwatch painting with light carpet bombing cul checkin - Aug 06 2022

web nightwatch painting with light carpet bombing cul downloaded from checkin thecontemporaryaustin org by guest foley kingston executive documents minnesota nightwatchin night watch painting with light photographer noel kerns brings us a glimpse into a nocturnal world of abandoned wastelands both urban and

nightwatch carpet bombing culture - Oct 20 2023

web nightwatch painting with light is the first book from kerns one of the world s foremost practitioners of the art of light painting join him as he ventures into the darkness of the american southwest exploring remote desert ghost towns under a full moon or prowling the abandoned seemingly post apocalyptic structures of america s

nightwatch painting with light - Apr 14 2023

web his images incorporate two distinct photographic techniques time exposure by the natural light of a full moon and the artful application of artificial light vividly painted into the scene while the camera s shutter is open

nightwatch painting with light carpet bombing cul 2022 - Nov 28 2021

web 4 nightwatch painting with light carpet bombing cul 2022 04 13 ventures into the darkness of the american southwest exploring remote desert ghost towns under a full moon or prowling theabandoned seemingly post apocalyptic structures of america s industrial wastelands ke rns shares with the reader a nocturnal world that reveals its

nightwatch painting with light carpet bombing cul 2023 - Dec 30 2021

web nightwatch painting with light carpet bombing cul 3 3 eyes and imaginations on a journey to a secret twilight zone

where the ghosts of our discarded past rise from the ruins in a surreal spectacle of light these photographs mark all that remain of failed ideas and broken things artifacts of human enterprise vanishing even as the shutter falls

[nightwatch painting with light culture carpet bombing](#) - Sep 19 2023

web in night watch painting with light photographer noel kerns brings us a glimpse into a nocturnal world of abandoned wastelands both urban and rural a deserted drive in on the edge of forever a decommissioned military base a small town being consumed by

[9 best home painting services in singapore 2023 guide the](#) - Mar 01 2022

web may 17 2021 from hdb condo and landed property painting to commercial and office painting jobs the experts from reliable painting have completed thousands of projects as seen in their portfolio here beyond painting services reliable painting also offers an extensive list of renovation services for your home

[explore rembrandt s painting the night watch in 717 gigapixel](#) - May 03 2022

web jan 7 2022 the iconic painting is a 12 by 14 foot canvas illustrating 34 figures of an early modern militia now this monumental work can be explored in microscopic detail through a 717 gigapixel photograph of the work

nightwatch the haunting light painted nightscapes of noel kerns - Jul 17 2023

web oct 05 2013 dl cade dallas based photographer noel kerns specializes in capturing haunting night scenes of ghost towns decommissioned military bases and industrial abandonments his creative

nightwatch painting with light 9781908211026 abebooks - May 15 2023

web nightwatch painting with light isbn 10 1908211024 isbn 13 9781908211026 carpet bombing culture 2013 hardcover

rembrandt s the night watch painting restored by ai bbc news - Oct 08 2022

web jun 23 2021 the missing edges of rembrandt s painting the night watch have been restored using artificial intelligence the canvas created in 1642 was trimmed in 1715 to fit between two doors at amsterdam

[nightwatch painting with light worldcat org](#) - Jan 11 2023

web nightwatch painting with light is the first book from kerns one of the worlds foremost practitioners of the art of light painting join him as he ventures into the darkness of the american southwest exploring remote desert ghost towns under a full moon or prowling the abandoned seemingly post apocalyptic structures of americas industrial

nightwatch painting with light by noel kerns photographer - Mar 13 2023

web buy nightwatch painting with light by noel kerns photographer online at alibris we have new and used copies available in 1 editions starting at 6 00 shop now

trimmed splashed and slashed the anatomy of rembrandt s the night watch - Dec 10 2022

web feb 19 2019 1 impact of previous treatments the night watch is thought to have been relined at least four times in 1975

76 after a knife attack in 1945 after the canvas returned to the rijksmuseum from
[nightwatch painting with light 9781908211026 abebooks](#) - Feb 12 2023

web kerns uses a technique called light painting to bring these decaying relics back to life revealing latent details that lead our eyes and imaginations on a journey to a secret twilight zone where the ghosts of our discarded past rise from the ruins in a

10 best house painting services in singapore 2023 review - Apr 02 2022

web oct 19 2023 8 fortuna hu 9 venue painting 10 coozy painting services house painting can be a significant investment especially for a large project so when choosing a house painting service it s great that you get a good deal but it s more vital to select a service that can do your job on time within estimated costs and with reliable

explore a hyper resolution rendering of rembrandt s the night watch - Jun 04 2022

web may 14 2020 operation night watch marks the first time the 11 foot tall 15 foot wide painting has undergone restoration since a visitor attacked it with a bread knife in 1975

noel kerns nightwatch painting with light 10 00 - Jun 16 2023

web in night watch painting with light photographer noel kerns brings us a glimpse into a nocturnal world of abandoned wastelands both urban and rural a deserted drive in on the edge of forever a decommissioned military base a small town being consumed by

[a p j abdul kalam biography history books thoughts](#) - Nov 06 2022

web sep 5 2023 a p j abdul kalam in full avul pakir jainulabdeen abdul kalam born october 15 1931 rameswaram india died july 27 2015 shillong indian scientist and politician who played a leading role in the development of india s missile and nuclear weapons programs

english notes the power of prayer apj abdul kalam the power - Sep 04 2022

web his father told kalam that prayer makes our body a part of the cosmos prayer makes communion of spirit between man the gods possible he further tells she that every human essence is an part of ampere deity being of power regarding prayer over

the power of prayer essay by dr apj abdul kalam english - Jan 08 2023

web nov 5 2019 the power of prayer is an essay written by dr apj abdul kalam this is an extract from his book wings of fire in this essay kalam speaks about the power of prayer

a p j abdul kalam wikipedia - Dec 07 2022

web avul pakir jainulabdeen abdul kalam br ' α: b d ə l k ə ' l α: m i 15 october 1931 27 july 2015 was an indian aerospace scientist and statesman who served as the 11th president of india from 2002 to 2007 he was born and raised in rameswaram

tamil nadu and studied physics and aerospace engineering he spent the next four decades as a
[the power of prayer dr a p j abdul kalam abdul kalam](#) - Apr 11 2023

web in this prose the power of prayer abdul kalam writes about his childhood spend in his village he shares his memories with his parents friends and the power of prayer kalam s memories abdul kalam was born in a middle class family in rameshwaram

[apj abdul kalam english power of prayer](#) - Feb 26 2022

web merely said the apj abdul kalam english power of prayer is universally compatible with any devices to read india 2020 a p j abdul kalam 2014 08 01 in this ground breaking vision document first published in 1998 dr a p j abdul kalam and y s rajan offer a blueprint for india to be counted among the world s top five economic powers by the

the power of prayer a p j abdul kalam brief summary - Feb 09 2023

web dec 12 2018 the power of prayer a p j abdul kalam brief summary beauty with brains 49 4k subscribers subscribe 2 8k share save 82k views 4 years ago other summaries of english essays that

the power of prayer by a p j abdul kalam slideshare - Jul 14 2023

web the power of prayer by a p j abdul kalam the power of prayer apj abdul kalam dr a p j abdul kalam 1931 2015 the former president of india and a distinguished scientist was born on 15th october 1931 at rameswaram in tamilnadu kalam specialized in aeronautical engineering from madras institute of technology iit madras he was

powerpoint presentation - May 12 2023

web abdul kalam s the power of prayer compulsory eng ce201 dr a p j abdul kalam 1931 2015 the former president of india and a distinguished scientist was born on 15th october 1931 at rameswaram in tamilnadu kalam specialized in aeronautical engineering from madras institute of technology iit madras

[the power of prayer by a p j abdul kalam blogger](#) - Aug 15 2023

web nov 26 2020 the article the power of prayer is an extract from kalam s autobiography the wings of fire in this chapter kalam recollects his childhood days and speaks about his parents and birth place he proudly pays tribute to his parents and god for the present life he enjoys kalam s early religious impressions were very vague

summary of story the power of prayer by apj abdul kalam brainly - Dec 27 2021

web sep 11 2017 the story the power of prayer is inspired from wings of fire penned by apj abdul kalam abdul kalam was a resident of rameswaram he belonged to a middle class tamil muslim family his family used to live in their ancestral house every day after the evening prayers his father would pray by dipping his fingers in the water

[the power of prayer by apj abdul kalam the educator online](#) - Jun 01 2022

web jul 8 2023 the power of prayer by apj abdul kalam is a thought provoking and inspirational essay that explores the

significance of prayer in one s life dr kalam a renowned scientist and former president of india shares his personal experiences and beliefs regarding the transformative power of prayer

81 the power of prayer by apj abdul kalam video no 1 youtube - Jul 02 2022

web this video provides the textual explanation of the essay the power of prayer by apj abdul kalam both in english and hindi

a p j abdul kalam the power of prayer youtube - Aug 03 2022

web jan 2 2022 a p j abdul kalam the power of prayer summary communicationskillsforeveryonesummary of a p j abdul kalam the power of prayer

short summary of the power of prayer by apj abdul kalam brainly - Apr 30 2022

web jul 26 2018 summary the power of prayer is taken from wings of fire written by apj abdul kalam kalam belongs to a middle class tamil muslim family of rameswaram the family lived in their ancestral house after evening prayers his father would dip his fingers in the water and pray the water would be used to cure suffering people

apj abdul kalam english power of prayer gny salvationarmy org - Jan 28 2022

web enlightened minds a p j abdul kalam 2021 01 01 a short life of swami vivekananda swami tejasananda 2016 12 05 the life and message of swami vivekananda are a source of great inspiration to many in their individual as well as collective life the present short biography published by advaita ashrama a publication house of ramakrishna math

a ce 201 the power of prayer by apj abdul kalam youtube - Jun 13 2023

web sep 15 2020 ce 201 the power of prayer by apj abdul kalam hpu 2nd year english compulsory course apj abdul kalam 1931 2015 former president of india 2002 7 born at rameswaram tn

the power of prayer pdf prayer abrahamic religions scribd - Mar 10 2023

web the power of prayer dr a p j abdul kalam introduction in this prose the power of prayer abdul kalam writes about his childhood spend in his village he shares his memories with his parents friends and the power of prayer kalam s memories abdul kalam was born in a middle class family in rameshwaram his father

unit 1 the power of prayer by dr a p j abdul kalam blogger - Oct 05 2022

web aug 18 2017 unit 1 the power of prayer by dr a p j abdul kalam when abdul kalam visited the bhartiya temple cultural centre btcc in usa he addressed and interacted with the members in his address he discussed the topic faith religion spirituality in the 21st century

apj abdul kalam english power of prayer - Mar 30 2022

web sep 8 2023 without prayer there is no inward peace let there be no distinction between rich and poor high and low all our national schools ought to be converted into factories of our national ammunition namely constructive work quotes from this book wings of fire avul pakir jainulabdeen abdul kalam 1999 avul pakir jainulabdeen

