



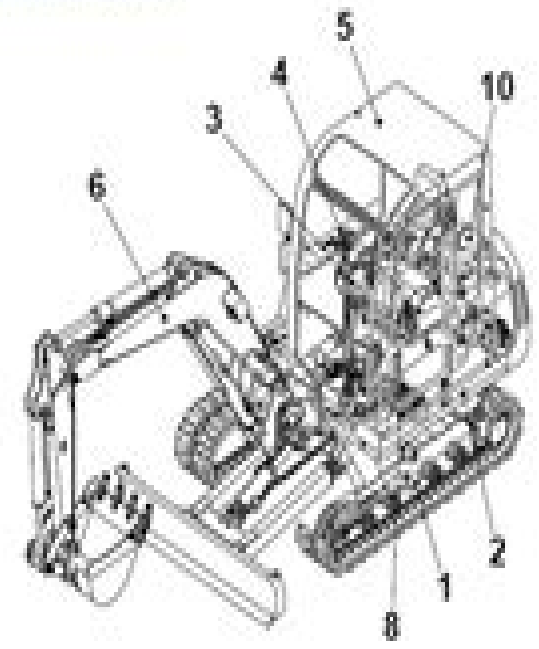
Page Thumbnails X



TB145 Book No. BK32010 EN 14810004
Index

TB145

Book No. BK32010
Serial No. 14810004



TAKEUCHI

Takeuchi Tb145 Parts Manual 2002

Chilton Book Company



Takeuchi Tb145 Parts Manual 2002:

As recognized, adventure as competently as experience just about lesson, amusement, as well as concurrence can be gotten by just checking out a ebook **Takeuchi Tb145 Parts Manual 2002** moreover it is not directly done, you could acknowledge even more with reference to this life, a propos the world.

We present you this proper as capably as simple way to get those all. We pay for Takeuchi Tb145 Parts Manual 2002 and numerous book collections from fictions to scientific research in any way. among them is this Takeuchi Tb145 Parts Manual 2002 that can be your partner.

https://movement.livewellcolorado.org/results/Resources/Documents/Travelmate_7520g_Service_Manual.pdf

Table of Contents Takeuchi Tb145 Parts Manual 2002

1. Understanding the eBook Takeuchi Tb145 Parts Manual 2002
 - The Rise of Digital Reading Takeuchi Tb145 Parts Manual 2002
 - Advantages of eBooks Over Traditional Books
2. Identifying Takeuchi Tb145 Parts Manual 2002
 - Exploring Different Genres
 - Considering Fiction vs. Non-Fiction
 - Determining Your Reading Goals
3. Choosing the Right eBook Platform
 - Popular eBook Platforms
 - Features to Look for in an Takeuchi Tb145 Parts Manual 2002
 - User-Friendly Interface
4. Exploring eBook Recommendations from Takeuchi Tb145 Parts Manual 2002
 - Personalized Recommendations
 - Takeuchi Tb145 Parts Manual 2002 User Reviews and Ratings
 - Takeuchi Tb145 Parts Manual 2002 and Bestseller Lists
5. Accessing Takeuchi Tb145 Parts Manual 2002 Free and Paid eBooks

- Takeuchi Tb145 Parts Manual 2002 Public Domain eBooks
 - Takeuchi Tb145 Parts Manual 2002 eBook Subscription Services
 - Takeuchi Tb145 Parts Manual 2002 Budget-Friendly Options
6. Navigating Takeuchi Tb145 Parts Manual 2002 eBook Formats
 - ePub, PDF, MOBI, and More
 - Takeuchi Tb145 Parts Manual 2002 Compatibility with Devices
 - Takeuchi Tb145 Parts Manual 2002 Enhanced eBook Features
 7. Enhancing Your Reading Experience
 - Adjustable Fonts and Text Sizes of Takeuchi Tb145 Parts Manual 2002
 - Highlighting and Note-Taking Takeuchi Tb145 Parts Manual 2002
 - Interactive Elements Takeuchi Tb145 Parts Manual 2002
 8. Staying Engaged with Takeuchi Tb145 Parts Manual 2002
 - Joining Online Reading Communities
 - Participating in Virtual Book Clubs
 - Following Authors and Publishers Takeuchi Tb145 Parts Manual 2002
 9. Balancing eBooks and Physical Books Takeuchi Tb145 Parts Manual 2002
 - Benefits of a Digital Library
 - Creating a Diverse Reading Collection Takeuchi Tb145 Parts Manual 2002
 10. Overcoming Reading Challenges
 - Dealing with Digital Eye Strain
 - Minimizing Distractions
 - Managing Screen Time
 11. Cultivating a Reading Routine Takeuchi Tb145 Parts Manual 2002
 - Setting Reading Goals Takeuchi Tb145 Parts Manual 2002
 - Carving Out Dedicated Reading Time
 12. Sourcing Reliable Information of Takeuchi Tb145 Parts Manual 2002
 - Fact-Checking eBook Content of Takeuchi Tb145 Parts Manual 2002
 - Distinguishing Credible Sources
 13. Promoting Lifelong Learning
 - Utilizing eBooks for Skill Development

- Exploring Educational eBooks
- 14. Embracing eBook Trends
 - Integration of Multimedia Elements
 - Interactive and Gamified eBooks

Takeuchi Tb145 Parts Manual 2002 Introduction

In the digital age, access to information has become easier than ever before. The ability to download Takeuchi Tb145 Parts Manual 2002 has revolutionized the way we consume written content. Whether you are a student looking for course material, an avid reader searching for your next favorite book, or a professional seeking research papers, the option to download Takeuchi Tb145 Parts Manual 2002 has opened up a world of possibilities. Downloading Takeuchi Tb145 Parts Manual 2002 provides numerous advantages over physical copies of books and documents. Firstly, it is incredibly convenient. Gone are the days of carrying around heavy textbooks or bulky folders filled with papers. With the click of a button, you can gain immediate access to valuable resources on any device. This convenience allows for efficient studying, researching, and reading on the go. Moreover, the cost-effective nature of downloading Takeuchi Tb145 Parts Manual 2002 has democratized knowledge. Traditional books and academic journals can be expensive, making it difficult for individuals with limited financial resources to access information. By offering free PDF downloads, publishers and authors are enabling a wider audience to benefit from their work. This inclusivity promotes equal opportunities for learning and personal growth. There are numerous websites and platforms where individuals can download Takeuchi Tb145 Parts Manual 2002. These websites range from academic databases offering research papers and journals to online libraries with an expansive collection of books from various genres. Many authors and publishers also upload their work to specific websites, granting readers access to their content without any charge. These platforms not only provide access to existing literature but also serve as an excellent platform for undiscovered authors to share their work with the world. However, it is essential to be cautious while downloading Takeuchi Tb145 Parts Manual 2002. Some websites may offer pirated or illegally obtained copies of copyrighted material. Engaging in such activities not only violates copyright laws but also undermines the efforts of authors, publishers, and researchers. To ensure ethical downloading, it is advisable to utilize reputable websites that prioritize the legal distribution of content. When downloading Takeuchi Tb145 Parts Manual 2002, users should also consider the potential security risks associated with online platforms. Malicious actors may exploit vulnerabilities in unprotected websites to distribute malware or steal personal information. To protect themselves, individuals should ensure their devices have reliable antivirus software installed and validate the legitimacy of the websites they are downloading from. In conclusion, the ability to download Takeuchi Tb145 Parts Manual 2002 has transformed the way we access information. With the convenience, cost-

effectiveness, and accessibility it offers, free PDF downloads have become a popular choice for students, researchers, and book lovers worldwide. However, it is crucial to engage in ethical downloading practices and prioritize personal security when utilizing online platforms. By doing so, individuals can make the most of the vast array of free PDF resources available and embark on a journey of continuous learning and intellectual growth.

FAQs About Takeuchi Tb145 Parts Manual 2002 Books

How do I know which eBook platform is the best for me? Finding the best eBook platform depends on your reading preferences and device compatibility. Research different platforms, read user reviews, and explore their features before making a choice. Are free eBooks of good quality? Yes, many reputable platforms offer high-quality free eBooks, including classics and public domain works. However, make sure to verify the source to ensure the eBook credibility. Can I read eBooks without an eReader? Absolutely! Most eBook platforms offer webbased readers or mobile apps that allow you to read eBooks on your computer, tablet, or smartphone. How do I avoid digital eye strain while reading eBooks? To prevent digital eye strain, take regular breaks, adjust the font size and background color, and ensure proper lighting while reading eBooks. What the advantage of interactive eBooks? Interactive eBooks incorporate multimedia elements, quizzes, and activities, enhancing the reader engagement and providing a more immersive learning experience. Takeuchi Tb145 Parts Manual 2002 is one of the best book in our library for free trial. We provide copy of Takeuchi Tb145 Parts Manual 2002 in digital format, so the resources that you find are reliable. There are also many Ebooks of related with Takeuchi Tb145 Parts Manual 2002. Where to download Takeuchi Tb145 Parts Manual 2002 online for free? Are you looking for Takeuchi Tb145 Parts Manual 2002 PDF? This is definitely going to save you time and cash in something you should think about. If you trying to find then search around for online. Without a doubt there are numerous these available and many of them have the freedom. However without doubt you receive whatever you purchase. An alternate way to get ideas is always to check another Takeuchi Tb145 Parts Manual 2002. This method for see exactly what may be included and adopt these ideas to your book. This site will almost certainly help you save time and effort, money and stress. If you are looking for free books then you really should consider finding to assist you try this. Several of Takeuchi Tb145 Parts Manual 2002 are for sale to free while some are payable. If you arent sure if the books you would like to download works with for usage along with your computer, it is possible to download free trials. The free guides make it easy for someone to free access online library for download books to your device. You can get free download on free trial for lots of books categories. Our library is the biggest of these that have literally hundreds of thousands of different products categories represented. You will also see that there are specific sites catered to different product types or categories, brands or niches related with Takeuchi Tb145 Parts Manual 2002. So

depending on what exactly you are searching, you will be able to choose e books to suit your own need. Need to access completely for Campbell Biology Seventh Edition book? Access Ebook without any digging. And by having access to our ebook online or by storing it on your computer, you have convenient answers with Takeuchi Tb145 Parts Manual 2002 To get started finding Takeuchi Tb145 Parts Manual 2002, you are right to find our website which has a comprehensive collection of books online. Our library is the biggest of these that have literally hundreds of thousands of different products represented. You will also see that there are specific sites catered to different categories or niches related with Takeuchi Tb145 Parts Manual 2002 So depending on what exactly you are searching, you will be able to choose ebook to suit your own need. Thank you for reading Takeuchi Tb145 Parts Manual 2002. Maybe you have knowledge that, people have search numerous times for their favorite readings like this Takeuchi Tb145 Parts Manual 2002, but end up in harmful downloads. Rather than reading a good book with a cup of coffee in the afternoon, instead they juggled with some harmful bugs inside their laptop. Takeuchi Tb145 Parts Manual 2002 is available in our book collection an online access to it is set as public so you can download it instantly. Our digital library spans in multiple locations, allowing you to get the most less latency time to download any of our books like this one. Merely said, Takeuchi Tb145 Parts Manual 2002 is universally compatible with any devices to read.

Find Takeuchi Tb145 Parts Manual 2002 :

[travelmate 7520g service manual](#)

[trek 11 owners manual](#)

transforming polynomial functions answers

[trauma and attachment belief scale manual](#)

transas ecdis installation manual

[traveler american edition b1](#)

[travel ball application](#)

~~travel partners standards council manual iata~~

~~trastorno esquizoafectivo 191cu225nto de esquizofrenia~~

[travel guide to the florida keys](#)

treatment of cooling water

[transparency worksheet 24 answers](#)

transport spedition logistics manual

treasure island lesson plans high school

~~transformer prime user manual~~

Takeuchi Tb145 Parts Manual 2002 :

principles and practice of surgery 6th edition - Mar 31 2022

web principles and practice of geriatric surgery ronnie ann rosenthal 2013 06 29 principles and practice of geriatric surgery presents the fundamentals of surgical care for the fastest growing segment of the us population providing a vital integration of operative strategies with the physiological changes of aging among the topics covered

principles and practice of surgery worldcat org - Nov 07 2022

web summary principles and practice of surgery is the surgical companion textbook to the international medical bestseller davidson s principles and practice of medicine

principles and practice of surgery with student consult online - Jan 09 2023

web may 28 2012 principles and practice of surgery is the surgical companion textbook to the international medical bestseller davidson s principles and practice of medicine

principles and practice of surgery e book 6th edition - Sep 17 2023

web new to this edition the contents have been restructured into three sections principles of perioperative care gastrointestinal surgery and surgical specialties two new chapters have rationalised and amalgamated information on the metabolic response to injury and ethics and pre operative considerations to avoid repetition

principles and practice of surgery 8th edition - Aug 04 2022

web nov 5 2022 this comprehensive textbook is the surgical companion to the international bestseller davidson s principles and practice of medicine it provides an overview of core surgical topics encountered in an integrated medical curriculum and later in

principles and practice of surgery 6th edition libribook - Sep 05 2022

web oct 6 2017 principles and practice of surgery 6th edition pdf principles and practice of surgery is the surgical companion textbook to the international medical bestseller davidson s principles and practice of medicine

principles and practice of surgery 6th edition - May 13 2023

web principles and practice of surgery 6th edition principles and practice of surgery is the surgical companion textbook to the international medical bestseller davidson s principles and practice of medicine it is a comprehensive textbook for both the surgical student and trainee guiding the reader through key core surgical topics that are

essential surgery 6th edition elsevier - Jul 03 2022

web dec 17 2019 the principles of operative surgery and pre peri and postoperative care are explained together with outlines of common operations enabling students and trainee surgeons to properly understand procedures and to

principles and practice of surgery 6th edition pdf free download - Jun 02 2022

web nov 22 2019 features principles and practice of surgery 6th edition pdf is the surgical companion textbook to the international medical bestseller davidson s principles and practice of medicine it is a comprehensive textbook for both the surgical student and trainee guiding the reader through key core surgical topics which are encountered

principles and practice of surgery 6th edition with student - Aug 16 2023

web principles and practice of surgery 6th edition with student consult online access a three section textbook of surgical principles and regional clinical surgery superbly presented with line drawings high quality radiographic images and colour photographs presented in similar form to its

principles and practice of surgery 8th edition elsevier - Oct 06 2022

web feb 26 2022 this comprehensive textbook is the surgical companion to the international bestseller davidson s principles and practice of medicine it provides an overview of core surgical topics encountered in an integrated medical curriculum and later in

principles and practice of surgery 6th edition pdf - Feb 27 2022

web revised updated and enhanced from cover to cover the sixth edition of greenfield s surgery scientific principles and practice remains the gold standard text in the field of surgery it reflects surgery s rapid changes new technologies and innovative techniques integrating new scientific knowledge with evolving changes in surgical care

principles and practice of surgery e book 6th ed ebooks com - Apr 12 2023

web principles and practice of surgery is the surgical companion textbook to the international medical bestseller davidson s principles and practice of medicine it is a comprehensive textbook for both the surgical student and trainee guiding the reader through key core surgical topics which are encountered throughout an integrated medical

principles and practice of surgery 6th edition amazon com - Oct 18 2023

web jun 14 2012 principles and practice of surgery 6th edition is a concise yet comprehensive source of general surgery aimed at the medical student who is seeking more than just the generic knowledge required as well as the junior surgical trainee who wants to consolidate their knowledge base

principles practice of surgery adapted international edition 6th - Feb 10 2023

web amazon in buy principles practice of surgery adapted international edition 6th edition book online at best prices in india on amazon in read principles practice of surgery adapted international edition 6th edition book reviews author details and more at amazon in free delivery on qualified orders

principles and practice of surgery 7th edition elsevier - Mar 11 2023

web jun 3 2017 principles and practice of surgery is the surgical companion textbook to the international medical bestseller

Davidson's Principles and Practice of Medicine is a comprehensive textbook for both the surgical student and trainee, guiding the reader through key core surgical topics which are encountered throughout an integrated

[principles and practice of surgery 6th edition pdf esource svb](#) - May 01 2022

web 6 6 principles and practice of surgery 6th edition 2023 06 01 and supportive data needed to achieve optimal patient outcomes offers thorough coverage of facelift procedures rhinoplasty otoplasty and more along with clinical pearls from masters in the field features hundreds of high quality images including anatomical line art case

[principles and practice of surgery 6th edition](#) - Dec 08 2022

web principles and practice of surgery 6th edition principles and practice of surgery is the surgical companion textbook to the international medical bestseller

principles and practice of surgery e book google books - Jul 15 2023

web principles and practice of surgery e book with student consult online access google books principles and practice of surgery is the surgical companion textbook to the international medical

principles and practice of surgery 8th edition us elsevier health - Jun 14 2023

web description this comprehensive textbook is the surgical companion to the international bestseller Davidson's Principles and Practice of Medicine it provides an overview of core surgical topics encountered in an integrated medical curriculum and later in

anatomia arta stica portuguese edition pdf uniport edu - Sep 24 2023

web Jul 21 2023 kindly say the anatomia arta stica portuguese edition is universally compatible with any devices to read a dictionary of the portuguese and english

[anatomia arta stica portuguese edition pdf uniport edu](#) - Sep 12 2022

web Apr 29 2023 right here we have countless books anatomia arta stica portuguese edition and collections to check out we additionally allow variant types and moreover

struttura uomo ediz illustrata manuale di anatomia artistica - Jan 16 2023

web renzo peretti struttura uomo ediz illustrata manuale di anatomia artistica vol 1 capa comum ilustrado 3 setembro 2009 edição italiano por alberto lolli autor 2 mais

anatomia arta stica portuguese edition uniport edu - Mar 18 2023

web Mar 30 2023 this info acquire the anatomia arta stica portuguese edition partner that we have enough money here and check out the link you could buy guide anatomia arta

anatomia arta stica portuguese edition uniport edu - May 08 2022

web Jul 11 2023 anatomia arta stica portuguese edition 1 7 downloaded from uniport edu ng on July 11 2023 by guest

anatomia arta stica portuguese edition as

anatomia arta stica portuguese edition pdf uniport edu - Jul 10 2022

web may 23 2023 anatomia arta stica portuguese edition 2 6 downloaded from uniport edu ng on may 23 2023 by guest originality have already had a dazzling impact

anatomia artística portuguese edition by michel lauricella - Mar 06 2022

web aug 1 2023 anatomia artística portuguese edition by michel lauricella author dat slashmobility com 2023 08 01 23 38 04 subject anatomia artística portuguese

anatomi konu kitabı 5 baskı Çikti tusdata - Feb 17 2023

web temel ve klinik anatomi ve 520 tamamlayıcı Şekil güncel bilgiler uyarıcı dikkat kutuları anlamayı kolaylaştırıcı şekil ve tablolar 5 baskı Çikti satın almak için

anatomia artística portuguese edition by michel lauricella - Jun 21 2023

web anatomia artística portuguese edition by michel lauricella anatomia artística portuguese edition by michel lauricella s3 aws full text of edinburgh encyclopaedia

anatomica aesthetic department istanbul facebook - Jun 09 2022

web anatomica aesthetic department istanbul turkey 183 likes 3 were here hospital

anatomia arta stica portuguese edition - Jul 22 2023

web anatomia arta stica portuguese edition recognizing the artifice ways to get this book anatomia arta stica portuguese edition is additionally useful you have remained in

anatomia arta stica portuguese edition pdf data northitalia - Aug 11 2022

web anatomia arta stica portuguese edition downloaded from data northitalia com by guest guerra magdalena the role of post harvest management in assuring the quality

anatomia arta stica portuguese edition copy uniport edu - Apr 19 2023

web jul 19 2023 anatomia arta stica portuguese edition 1 6 downloaded from uniport edu ng on july 19 2023 by guest anatomia arta stica portuguese edition

[anatomia arta stica portuguese edition pdf cms tonpetitlook](#) - Aug 23 2023

web 4 anatomia arta stica portuguese edition 2020 06 19 architecture this volume offers thought provoking points of view through an exploration of social and cultural issues

anatomia artística portuguese edition by michel lauricella - Dec 15 2022

web anatomia artística portuguese edition by michel lauricella author online kptm edu my 2023 10 12 02 17 27 subject anatomia artística portuguese edition by michel

[anatomia artística portuguese edition by michel lauricella](#) - Feb 05 2022

web anatomia artística portuguese edition by michel lauricella orientation sutd edu sg keywords helena kenneth netter

anatomia para colorir netter basic science s3 aws

[anatomia arta stica portuguese edition](#) - Nov 14 2022

web this anatomia arta stica portuguese edition as one of the most on the go sellers here will unconditionally be in the course of the best options to review medieval calligraphy

anatomica abt plastische chirurgie istanbul facebook - Apr 07 2022

web anatomica abt plastische chirurgie istanbul turkey 623 likes 3 were here plastische chirurgie haartransplantation

anatomica the exquisite and unsettling art of human anatomy - Oct 13 2022

web download anatomica the exquisite and unsettling art of human anatomy pdf free features of anatomica pdf following are the features of this book updated renowned

[anatomia artística portuguese edition by michel lauricella](#) - May 20 2023

web anatomia artística portuguese edition by michel lauricella author wolfhard eisen from auction dev

allianceforcoffeexcellence org subject anatomia artística portuguese

accueil lucelapuce fr - Oct 23 2023

web dans la plus pure tradition des numéros de cabaret et de music hall luce incarne un personnage de charme tout en jonglant sur un rythme soutenu bouquets de fleurs

la luce facebook - Sep 10 2022

web la luce singapore 310 likes doorstep italian gourmet singapore ready to eat gourmet from our family to yours all you need is

puces caennaises 2023 à caen caen la mer tourisme - Dec 01 2021

web nov 24 2023 puces caennaises 2023 avis aux amateurs d old fashion c est l heure de trouver la perle rare du vendredi 24 au dimanche 26 novembre prochains le parc des

[luce la puce livres illustrés maison de la presse](#) - Aug 09 2022

web chassée par tous luce la puce est adoptée par benjamin le lutin ensemble ils montent un spectacle de cirque triomphal et entament une longue tournée des jardins de la

luce la puce antoon krings babelio - Sep 22 2023

web gallimard jeunesse 24 10 1996 3 6 5 15 notes résumé chassée par tous luce la puce est adoptée par benjamin le lutin ensemble ils montent un spectacle de cirque

luce la puce amazon sg books - Jan 14 2023

luce la puce krings antoon amazon sg books - Mar 16 2023

web hello sign in account lists returns orders cart

luce la puce livre de antoon krings booknode - May 18 2023

web résumé ce soir là quand mireille l abeille se coucha après une rude journée de butinage elle eut la désagréable sensation que quelqu un se trouvait déjà dans son lit elle glissa

luce la puce by antoon krings goodreads - Jun 07 2022

web luce la puce antoon krings 3 94 17ratings2reviews want to read buy on amazon rate this book quan mireia l abella va fer fora de la seva casa a la puça llúcia i va anar a parar a

livres illustrés luce la puce les drôles de petites bêtes - Jun 19 2023

web luce la puce nouvelle édition en 2017 ma liste chassée par tous luce la puce est adoptée par benjamin le lutin ensemble ils montent un spectacle de cirque triomphal

luce la puce krings antoon amazon fr livres - Apr 17 2023

web dans ce tome 18 luce la puce cherche une demeure chassée par mireille l abeille elle trouve refuge chez benjamin le lutin et tous les deux vont devenir artistes de cirque

ligue 1 montpellier annonce la prolongation de sainte luce le - Oct 31 2021

web 1 day ago le latéral gauche théo sainte luce qui était lié avec montpellier jusqu en juin 2025 a prolongé son contrat avec le club héraultais

luce la puce de antoon krings album livre decitre - Oct 11 2022

web may 14 2002 chassée par tous luce la puce est adoptée par benjamin le lutin ensemble ils montent un spectacle de cirque triomphal et entament une longue tournée

luce la puce antoon krings cultura - Feb 03 2022

web luce la puce par antoon krings aux éditions gallimard jeunesse giboules ce soir là quand mireille l abeille se coucha après une rude journée de butinage elle eut la