

# HYDRAULIC SYSTEM

## 124-3329 VALVE GP-BANK 5-LH

S/N: JJA1-UP

PART OF 341-6675, 342-2640 VALVE & LINKAGE GP  
AN ATTACHMENT

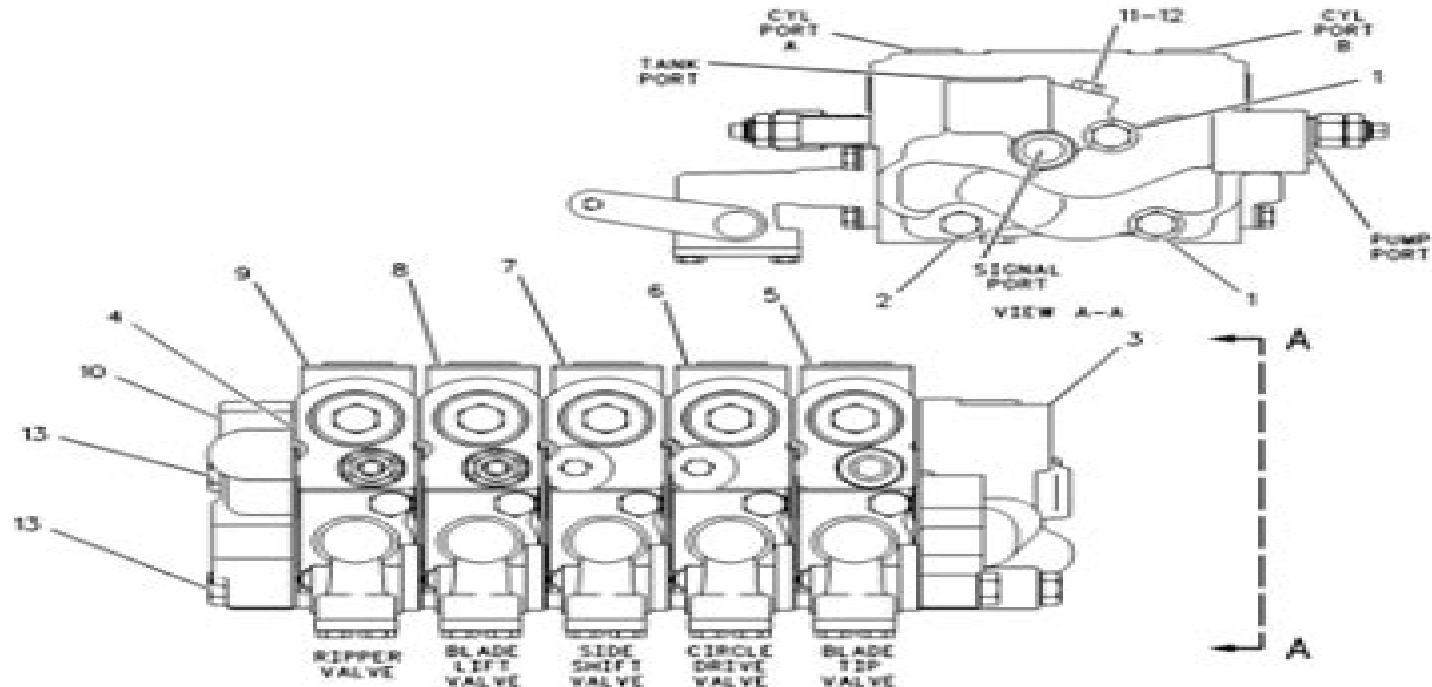
SMCS-5051

100857872

NOTE	REF NO	GRAPHIC REF	PART NUMBER	QTY	PART NAME	1 2 3 4 5 6 (PRODUCT LEVEL)						SEE PAGE	
M	1	1	7X-2546	2	BOLT (M10X1.5X180-MM)								
M	2	1	137-6720	1	BOLT (M10X1.5X160-MM)								
	3	1	102-8385	1	MANIFOLD								
	4	1	101-0509	6	SEAL - INTEGRAL								
Y	5	1	6E-3034	1	VALVE GP-CONTROL (BLADE TIP)								433
Y	6	1	6E-3035	1	VALVE GP-CONTROL (CIRCLE DRIVE)								435
Y	7	1	6E-3036	1	VALVE GP-CONTROL (SIDESHIFT)								437
Y	8	1	124-2883	1	VALVE GP-CONTROL (BLADE LEFT)								443
Y	9	1	107-0545	1	VALVE GP-CONTROL (RIPPER)								441
	10	1	101-9346	1	COVER								
	11	1	95-4180	1	FLUID								
	12	1	4J-7533	1	SEAL - O-RING								
M	13	1	137-6719	3	BOLT (M10X1.5X80-MM)								

M-METRIC PART

Y-SEPARATE ILLUSTRATION



GRAPHIC #1

<END>

000252814

# Valor 12k Heateruser Manual

**Huangqi Zhang**



**Valor 12k Heateruser Manual:**

*Municipal Journal, Public Works Engineer and Contractors' Guide* ,1965      *Municipal Journal, Public Works Engineer Contractor's Guide* ,1965      *Marine Engineering Log* ,1909      Railway Journal E. C. Cook,1921      Railway Engineering and Maintenance of Way ,1921      Marine Engineering ,1909      *The Christian Advocate* ,1914      The Present Age ,1882

**The Internal Revenue Record and Customs Journal** ,1885      **Soldiers** ,1991      **Weekly Compilation of Presidential Documents** ,1972      **Industrial Development and Manufacturers' Record** ,1913      *Frank Leslie's Illustrated Newspaper* John Albert Sleicher,1898-07      Engineering News ,1909      St. Louis Daily Market Reporter and Merchants Exchange Price Current ,1918      **Gas World** ,1984      **The Edison Electric Institute Bulletin** Edison Electric Institute,1951      **Board of Trade Journal** ,1965      *AMJ, Agricultural Machinery Journal* ,1981      **The Index Buyers' Guide to the Best Markets for Hardware, Ironmongery, Tools ...** ,1935

Right here, we have countless book **Valor 12k Heateruser Manual** and collections to check out. We additionally pay for variant types and moreover type of the books to browse. The gratifying book, fiction, history, novel, scientific research, as without difficulty as various other sorts of books are readily nearby here.

As this Valor 12k Heateruser Manual, it ends stirring innate one of the favored ebook Valor 12k Heateruser Manual collections that we have. This is why you remain in the best website to see the incredible book to have.

<https://movement.livewellcolorado.org/book/uploaded-files/fetch.php/Which%20Date%20Is%20Ondo%20State%20Joint%20Exam%20Time%20Table.pdf>

## **Table of Contents Valor 12k Heateruser Manual**

1. Understanding the eBook Valor 12k Heateruser Manual
  - The Rise of Digital Reading Valor 12k Heateruser Manual
  - Advantages of eBooks Over Traditional Books
2. Identifying Valor 12k Heateruser Manual
  - Exploring Different Genres
  - Considering Fiction vs. Non-Fiction
  - Determining Your Reading Goals
3. Choosing the Right eBook Platform
  - Popular eBook Platforms
  - Features to Look for in an Valor 12k Heateruser Manual
  - User-Friendly Interface
4. Exploring eBook Recommendations from Valor 12k Heateruser Manual
  - Personalized Recommendations
  - Valor 12k Heateruser Manual User Reviews and Ratings
  - Valor 12k Heateruser Manual and Bestseller Lists
5. Accessing Valor 12k Heateruser Manual Free and Paid eBooks

- Valor 12k Heateruser Manual Public Domain eBooks
  - Valor 12k Heateruser Manual eBook Subscription Services
  - Valor 12k Heateruser Manual Budget-Friendly Options
6. Navigating Valor 12k Heateruser Manual eBook Formats
    - ePub, PDF, MOBI, and More
    - Valor 12k Heateruser Manual Compatibility with Devices
    - Valor 12k Heateruser Manual Enhanced eBook Features
  7. Enhancing Your Reading Experience
    - Adjustable Fonts and Text Sizes of Valor 12k Heateruser Manual
    - Highlighting and Note-Taking Valor 12k Heateruser Manual
    - Interactive Elements Valor 12k Heateruser Manual
  8. Staying Engaged with Valor 12k Heateruser Manual
    - Joining Online Reading Communities
    - Participating in Virtual Book Clubs
    - Following Authors and Publishers Valor 12k Heateruser Manual
  9. Balancing eBooks and Physical Books Valor 12k Heateruser Manual
    - Benefits of a Digital Library
    - Creating a Diverse Reading Collection Valor 12k Heateruser Manual
  10. Overcoming Reading Challenges
    - Dealing with Digital Eye Strain
    - Minimizing Distractions
    - Managing Screen Time
  11. Cultivating a Reading Routine Valor 12k Heateruser Manual
    - Setting Reading Goals Valor 12k Heateruser Manual
    - Carving Out Dedicated Reading Time
  12. Sourcing Reliable Information of Valor 12k Heateruser Manual
    - Fact-Checking eBook Content of Valor 12k Heateruser Manual
    - Distinguishing Credible Sources
  13. Promoting Lifelong Learning
    - Utilizing eBooks for Skill Development

- Exploring Educational eBooks
- 14. Embracing eBook Trends
  - Integration of Multimedia Elements
  - Interactive and Gamified eBooks

### **Valor 12k Heateruser Manual Introduction**

Free PDF Books and Manuals for Download: Unlocking Knowledge at Your Fingertips In today's fast-paced digital age, obtaining valuable knowledge has become easier than ever. Thanks to the internet, a vast array of books and manuals are now available for free download in PDF format. Whether you are a student, professional, or simply an avid reader, this treasure trove of downloadable resources offers a wealth of information, conveniently accessible anytime, anywhere. The advent of online libraries and platforms dedicated to sharing knowledge has revolutionized the way we consume information. No longer confined to physical libraries or bookstores, readers can now access an extensive collection of digital books and manuals with just a few clicks. These resources, available in PDF, Microsoft Word, and PowerPoint formats, cater to a wide range of interests, including literature, technology, science, history, and much more. One notable platform where you can explore and download free Valor 12k Heateruser Manual PDF books and manuals is the internet's largest free library. Hosted online, this catalog compiles a vast assortment of documents, making it a veritable goldmine of knowledge. With its easy-to-use website interface and customizable PDF generator, this platform offers a user-friendly experience, allowing individuals to effortlessly navigate and access the information they seek. The availability of free PDF books and manuals on this platform demonstrates its commitment to democratizing education and empowering individuals with the tools needed to succeed in their chosen fields. It allows anyone, regardless of their background or financial limitations, to expand their horizons and gain insights from experts in various disciplines. One of the most significant advantages of downloading PDF books and manuals lies in their portability. Unlike physical copies, digital books can be stored and carried on a single device, such as a tablet or smartphone, saving valuable space and weight. This convenience makes it possible for readers to have their entire library at their fingertips, whether they are commuting, traveling, or simply enjoying a lazy afternoon at home. Additionally, digital files are easily searchable, enabling readers to locate specific information within seconds. With a few keystrokes, users can search for keywords, topics, or phrases, making research and finding relevant information a breeze. This efficiency saves time and effort, streamlining the learning process and allowing individuals to focus on extracting the information they need. Furthermore, the availability of free PDF books and manuals fosters a culture of continuous learning. By removing financial barriers, more people can access educational resources and pursue lifelong learning, contributing to personal growth and professional development. This democratization of knowledge promotes intellectual curiosity and empowers

individuals to become lifelong learners, promoting progress and innovation in various fields. It is worth noting that while accessing free Valor 12k Heateruser Manual PDF books and manuals is convenient and cost-effective, it is vital to respect copyright laws and intellectual property rights. Platforms offering free downloads often operate within legal boundaries, ensuring that the materials they provide are either in the public domain or authorized for distribution. By adhering to copyright laws, users can enjoy the benefits of free access to knowledge while supporting the authors and publishers who make these resources available. In conclusion, the availability of Valor 12k Heateruser Manual free PDF books and manuals for download has revolutionized the way we access and consume knowledge. With just a few clicks, individuals can explore a vast collection of resources across different disciplines, all free of charge. This accessibility empowers individuals to become lifelong learners, contributing to personal growth, professional development, and the advancement of society as a whole. So why not unlock a world of knowledge today? Start exploring the vast sea of free PDF books and manuals waiting to be discovered right at your fingertips.

## **FAQs About Valor 12k Heateruser Manual Books**

**What is a Valor 12k Heateruser Manual PDF?** A PDF (Portable Document Format) is a file format developed by Adobe that preserves the layout and formatting of a document, regardless of the software, hardware, or operating system used to view or print it. **How do I create a Valor 12k Heateruser Manual PDF?** There are several ways to create a PDF: Use software like Adobe Acrobat, Microsoft Word, or Google Docs, which often have built-in PDF creation tools. **Print to PDF:** Many applications and operating systems have a "Print to PDF" option that allows you to save a document as a PDF file instead of printing it on paper. **Online converters:** There are various online tools that can convert different file types to PDF. **How do I edit a Valor 12k Heateruser Manual PDF?** Editing a PDF can be done with software like Adobe Acrobat, which allows direct editing of text, images, and other elements within the PDF. Some free tools, like PDFescape or Smallpdf, also offer basic editing capabilities. **How do I convert a Valor 12k Heateruser Manual PDF to another file format?** There are multiple ways to convert a PDF to another format: Use online converters like Smallpdf, Zamzar, or Adobe Acrobat's export feature to convert PDFs to formats like Word, Excel, JPEG, etc. Software like Adobe Acrobat, Microsoft Word, or other PDF editors may have options to export or save PDFs in different formats. **How do I password-protect a Valor 12k Heateruser Manual PDF?** Most PDF editing software allows you to add password protection. In Adobe Acrobat, for instance, you can go to "File" -> "Properties" -> "Security" to set a password to restrict access or editing capabilities. **Are there any free alternatives to Adobe Acrobat for working with PDFs?** Yes, there are many free alternatives for working with PDFs, such as: LibreOffice: Offers PDF editing features. PDFsam: Allows splitting, merging, and editing PDFs. Foxit Reader: Provides basic

PDF viewing and editing capabilities. How do I compress a PDF file? You can use online tools like Smallpdf, ILovePDF, or desktop software like Adobe Acrobat to compress PDF files without significant quality loss. Compression reduces the file size, making it easier to share and download. Can I fill out forms in a PDF file? Yes, most PDF viewers/editors like Adobe Acrobat, Preview (on Mac), or various online tools allow you to fill out forms in PDF files by selecting text fields and entering information. Are there any restrictions when working with PDFs? Some PDFs might have restrictions set by their creator, such as password protection, editing restrictions, or print restrictions. Breaking these restrictions might require specific software or tools, which may or may not be legal depending on the circumstances and local laws.

### **Find Valor 12k Heateruser Manual :**

[which date is ondo state joint exam time table](#)

[white baby grand manual](#)

**white rogers thermostat manual 1f81 261**

**where no lilies grow**

[where the mountain meets the moon english edition](#)

[white tiger and other short stories english edition](#)

**whirlpool front load washer manual**

[which best explains what a character analysis essay is](#)

[white trash beautiful white trash trilogy 1 teresa mummert](#)

[where to buy asus computers](#)

**whispers in her heart english edition**

**where there is life a new start volume 2**

**whirlpool electric oven instruction manual**

[white black a graphic journal](#)

**white knight instruction manual**

### **Valor 12k Heateruser Manual :**

[motoman nx100 user manual pdf interpolation scribd](#) - Sep 20 2022

web nx100 operators manual for spot welding using air gun upon receipt of the product and prior to initial operation read these instructions thoroughly and retain for future reference motoman instructions motoman instructions nx100 instructions



nx100 operators manual nx100 maintenance manual the

**nx100 ladder editor programming yaskawa academy onsite motoman** - Dec 24 2022

web course overview this course covers the user part of the nx concurrent i o ladder with the motoman ladder editor pendant software students learn to customize the operation of nx input output functions individuals responsible for advanced programming and or maintenance should attend

[nx100 basic programming yaskawa academy usa motoman](#) - May 17 2022

web course materials students receive a copy of the nx100 basic programming training manual which details commands and programming technique for the motoman controller additional handouts relate to specific topics covered in the class

[nx100 accelerated programming yaskawa academy onsite motoman](#) - Nov 22 2022

web programming basic and advanced i o and control instructions monitoring and using basic and advanced arithmetic variable instructions shifting using standard shifting functions programming and editing w the inform iii language monitoring and using basic and advanced position variables modifying sc parameter functions using system variables

[motoman nx100 function manual manualzz](#) - Aug 20 2022

web introduction 1 1 about this document this manual provides information for the data transmission function and contains the following sections chapter 1 introduction provides general information about the structure of this manual a list of reference documents and customer service information chapter 2 safety

[motoman nx100 function manual pdf download manualslib](#) - Oct 22 2022

web view and download motoman nx100 function manual online pmt function nx100 controller pdf manual download

**nx100 advanced arc programming yaskawa academy motoman** - May 29 2023

web students receive the nx100 advanced arc welding programming manual which details welding commands and programming techniques for the motoman nx100 controller additional handouts relate to specific topics covered in class

*nx100 advanced programming yaskawa academy onsite robotics motoman* - Oct 02 2023

web students learn to perform advanced functions with the nx100 controller and hp ea es series robots primary topics include advanced i o programming introduction to concurrent i o application of variable data defining and using position variables use of system variables naming variables advanced arithmetic instructions floppy disk drive

**nx100 controller motoman pdf catalogs technical** - Feb 23 2023

web open the catalog to page 1 nx100 robot controller specifications door pendant all dimensions are metric mm and for reference only safety features forty optically isolated inputs 32 transistor outputs 8 relay contact outputs configured to optimize each application and four break out cards are provided as standard

*yaskawa motoman robot programming rs tech* - Apr 15 2022

web jul 26 2016 motoman robot projects one of our specialties is teach pendant programming services for yaskawa motoman robot controllers rx erc mrc xrc nx100 dx100 dx200 and the fs100 every motoman robot programmer on staff has a minimum 3 years experience with industrial robotics automation equipment

**motoman nx100 controller function manual manualslib** - Jul 19 2022

web view and download motoman nx100 function manual online analog output function nx100 controller pdf manual download

**yaskawa nx100 operator s manual pdf download manualslib** - Apr 27 2023

web view and download yaskawa nx100 operator s manual online nx100 controller pdf manual download

**programming manuals yaskawa motoman robot forum** - Jun 17 2022

web jul 27 2015 advertisement programming manuals steferzncheez jul 22nd 2015 thread is marked as resolved steferzncheez trophies 2 posts 7 jul 22nd 2015 1 hello would anyone know how or where i can get dx100 nx100 or xrc programming manuals please deactivate your adblocker for our website

*yaskawa motoman nx100 manuals manualslib* - Jun 29 2023

web yaskawa motoman nx100 manuals manuals and user guides for yaskawa motoman nx100 we have 20 yaskawa motoman nx100 manuals available for free pdf download operator s manual manual instructions manual maintenance manual instruction manual installation manual instructions for safe operation

motoman robot controller manuals - Sep 01 2023

web motoman robot controller manuals product documentation user and maintenance manuals for yaskawa robots software and equipment terms of use and copyright notice these manuals are freely available as a service to yaskawa customers to assist in the operation of motoman robots related equipment and software

*nx100 maintenance manual mro electric* - Jan 25 2023

web nx100 maintenance manual upon receipt of the product and prior to initial operation read these instructions thoroughly and retain for future reference motoman instructions motoman instructions nx100 instructions nx100 and the programming pendant turn 6 of 292 vii 150133 1cd re cho a104

**motoman nx100 advanced programming manual pdf** - Mar 15 2022

web motoman nx100 advanced programming manual downloaded from helpdesk bricksave com by guest donavan hull physical sciences for ngss haynes publications covering a broad range of fields from measurement and control to system analysis and design from theory to application and from software to hardware on line

motoman nx100 manipulator manual pdf download manualslib - Mar 27 2023

web view and download motoman nx100 manipulator manual online nx100 controller pdf manual download

*motoman nx100 user manual pdf download manualslib* - Feb 11 2022

web summary of contents for motoman nx100 page 1 motoman nx100 controller search function user s manual part number 150010 1cd revision motoman incorporated 805 liberty lane west carrollton oh 45449 tel 937 847 6200 fax 937 847 6277 24 hour service hotline 937 847 3200 page 2 complete our online survey

[yaskawa motoman nx100 manual pdf download manualslib](#) - Jul 31 2023

web view and download yaskawa motoman nx100 manual online motoman nx100 controller pdf manual download

**policymaking in the european central bank the mast copy** - Jan 28 2022

web policymaking in the european central bank the mast european union discourses on an employment governing after communism policy making in the european union environmental politics in the european union handbook on european union climate change policy and politics making policy in europe eu enlargement and the environment

[monetary policy statement with q a european central bank](#) - Feb 09 2023

web 2 days ago christine lagarde president of the ecb luis de guindos vice president of the ecb frankfurt am main 14 september 2023 jump to the transcript of the questions and answers good afternoon the vice president and i welcome you to our press conference inflation continues to decline but is still expected to remain too high for too long

[policymaking in the european central bank the mast united](#) - Feb 26 2022

web policymaking in the european central bank the mast policymaking in the european central bank the mast 2 downloaded from donate pfi org on 2020 03 06 by guest regime and concludes that it is very strong based on both policy effectiveness and democratic accountability it then examines what should be

*policymaking in the european central bank the masters of europe* - Mar 10 2023

web contents introduction the origins of the european central bank the formation of the european central bank s monetary policy strategy the structure and strategy of the european central bank the european central bank s operating environment the exchange rate challenge european monetary union enlargement and the european

**policymaking in the european central bank the mast john** - Dec 27 2021

web informants in central banks finance ministries employers organizations and trade unions in britain france and germany it examines why actors perceived emu to serve or frustrate their interests it concludes that actors favoured emu for a variety of reasons the book contributes to the literature of european integration and incorporates

**the ecb s monetary policy strategy statement european central bank** - Dec 07 2022

web the european central bank ecb is the central bank of the european union countries which have adopted the euro our main task is to maintain price stability in the euro area and so preserve the purchasing power of the single currency

**policymaking in the european central bank the masters of europe** - Jul 14 2023

web his study based on extensive interviews and other evidence focuses on how the goals and principles that motivate european central bankers affect their approach to monetary policy policymaking in the european central bank is an in depth exploration of one of the world s most important economic institutions it will be useful and interesting

**policymaking in the european central bank the mast pdf** - Aug 03 2022

web policymaking in the european central bank the mast 1 policymaking in the european central bank the mast euro politics policy making in the european union euro crash policymaking in the european central bank ngos and global trade policy making in the european union european union policymaking in the field of air

**the ecb s monetary policy strategy review central banking** - Sep 04 2022

web jul 16 2021 the ecb s monetary policy strategy review on july 8 2021 the european central bank approved and published its new monetary policy strategy the old strategy announced in october 1998 ie 10 weeks before the start of the euro was last reviewed in 2003 and adjusted slightly that it took so long for a comprehensive review can

policymaking in the european central bank the masters of europe - Jul 02 2022

web aug 17 2006 policymaking in the european central bank the masters of europe s money governance in europe kaltenthaler karl on amazon com free shipping on qualifying offers policymaking in the european central bank the masters of europe s money governance in europe

**policy making in the european central bank the masters of europe** - Aug 15 2023

web there is very little written by political scientists specifically on the european central bank ecb and most of this small body of work focuses upon the bank s institutional design its independence and its problematic democratic legitimacy and accountability

the european central bank s revised monetary policy strategy - Oct 05 2022

web aug 19 2021 the european central bank s revised monetary policy strategy date 19 aug 2021 authors professor iain begg theme economy policies after extensive consultation delays caused by the pandemic and hard fought battles in its governing council the european central bank has a new monetary policy strategy summarised

*policymaking in the european central bank the mast full pdf banking* - Apr 30 2022

web policymaking in the european central bank the mast european disunion european social policy policymaking in the european central bank making policy in europe power perception and foreign policymaking monetary policy in times of crisis european union policymaking in the field of air traffic management social policy in the

*after 10th time raising rates european central bank signals it* - Nov 06 2022

web 2 days ago sept 14 2023 the european central bank on thursday raised interest rates for a 10th consecutive and perhaps final time in the bank s effort to force inflation down the bank lifted

**an overview of the ecb s monetary policy strategy european central bank** - Apr 11 2023

web jul 8 2021 the european central bank ecb is the central bank of the european union countries which have adopted the euro our main task is to maintain price stability in the euro area and so preserve the purchasing power of the single currency  
*polymaking in the european central bank the mast katie* - Jun 01 2022

web polymaking in the european central bank the mast polymaking in the european central bank the mast 2 downloaded from nysm pfi org on 2020 03 12 by guest the scholarly debate about the nature and development of the eu the book looks at federal ideas stretching back to the sixteenth century and

**has the european central bank become too powerful the** - Jan 08 2023

web 2 days ago the growth of the european central bank ecb from humble beginnings as the guardian of a nascent currency to one of the great powers in european politics might have surprised even the master

polymaking in the european central bank the mast banking - Jun 13 2023

web polymaking in the european central bank the mast 1 polymaking in the european central bank the mast framing europe policy making in the european union european social policy transatlantic perspectives on the euro one currency for one europe eu polymaking at a crossroads central banking governance in the

**polymaking in the european central bank the mast 2022** - Mar 30 2022

web polymaking in the european central bank the mast 1 polymaking in the european central bank the mast eu foreign polymaking and the middle east conflict oracles heroes or villains understanding european union institutions european union legal aspects of the european system of central banks polymaking in the  
policy making in the european central bank the masters of europe - May 12 2023

web drawing on numerous interviews with high ranking and founding members of the ecb karl kaltenthaler identifies and explains the factors that shape the domestic and international monetary strategies of the european central bank ecb the policy making model that offers the best roadmap to a healthy economy is that of the german bundesbank to

handbook of frozen food processing and packaging worldcat org - Oct 29 2022

web thorough and authoritative the handbook of frozen food processing and packaging provides the latest information on the art and science of correctly handling and containing

**handbook of frozen food processing and packaging** - Apr 03 2023

web now in its second edition handbook of frozen food processing and packaging explores the art and science of frozen foods and assembles essential data and references relied

*handbook of frozen food processing and packaging* - Aug 27 2022

web thorough and authoritative the handbook of frozen food processing and packaging provides the latest information on the

art and science of correctly handling and containing

**handbook of frozen food processing and packaging** - Jun 05 2023

web oct 19 2011 now in its second edition handbook of frozen food processing and packaging explores the art and science of frozen foods and assembles essential data

*handbook of frozen food packaging and processing worldcat org* - May 24 2022

web mar 29 2004 handbook of frozen foods y h hui isabel guerrero legarretta miang hoong lim k d murrell wai kit nip crc press mar 29 2004 technology

*handbook of frozen foods google books* - Jan 20 2022

*a handbook of food packaging google books* - Dec 19 2021

handbook of frozen food processing and packaging - Jul 06 2023

web jan 1 2005 thorough and authoritative the handbook of frozen food processing and packaging provides the latest information on the art and science of correctly handling

handbook of frozen food processing and packaging - Feb 01 2023

web now in its second edition handbook of frozen food processing and packaging explores the art and science of frozen foods and assembles essential data and references relied

handbook of frozen food processing and packaging - Dec 31 2022

web handbook of frozen food processing and packaging da wen sun edible coatings and films and their applications on frozen foods cite jingyun duan yanyun zhao

**handbook of frozen food processing and packaging** - Nov 29 2022

web jan 31 2013 handbook of frozen food processing and packaging authors shaoyun wang fuzhou university no full text available citations 5 relatively few models

**handbook of frozen food processing and packaging** - Sep 08 2023

web nov 14 2005 handbook of frozen food processing and packaging edited by da wen sun edition 1st edition first published 2005 ebook published 13 november 2005 pub

**handbook of frozen food processing and packaging second** - Mar 02 2023

web handbook of frozen food processing and packaging quality and safety of frozen dairy products authored by h douglas goff handbook of frozen food processing and

**handbook of frozen food processing and packaging** - Oct 09 2023

web jan 24 2012 abstract consumer demand for a year round supply of seasonal produce and ready made meals remains the driving force behind innovation in frozen food

handbook of frozen food processing and packaging second - Apr 22 2022

web dec 6 2012 this is the second edition of a successful title first published in 1983 and now therefore a decade out of date the authors consider the development of the right

**handbook of frozen food processing and packaging second** - Jun 24 2022

web nov 14 2005 handbook of frozen food processing and packaging semantic scholar doi 10 1201 9781420027402 corpus id 107933136 handbook of frozen food

*handbook of frozen food processing and packaging* - Feb 18 2022

*handbook of frozen food processing and packaging* - Sep 27 2022

web now in its second edition handbook of frozen food processing and packaging explores the art and science of frozen foods and assembles essential data and references relied

handbook of frozen food processing and packaging - Aug 07 2023

web book description consumer demand for a year round supply of seasonal produce and ready made meals remains the driving force behind innovation in frozen food

*handbook of frozen food processing and packaging* - Mar 22 2022

*handbook of frozen food processing and packaging* - Jul 26 2022

web now in its second edition handbook of frozen food processing and packaging explores the art and science of frozen foods and assembles essential data and references relied

**handbook of frozen food processing and packaging** - May 04 2023

web oct 19 2011 now in its second edition handbook of frozen food processing and packaging explores the art and science of frozen foods and assembles essential data