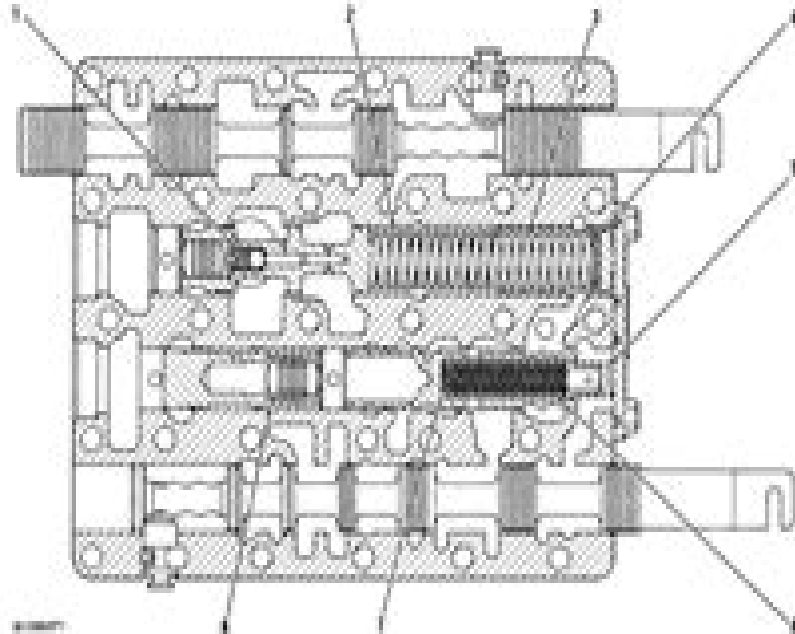


Transmission Selector And Pressure Control Valve

3T5816



(1) 44201 Spring

Length under test force 15.5 mm (0.61 in)
 Test force 3.20 ± 0.16 N (0.72 ± 0.036 lbf)
 Free length after test 22.8 mm (0.90 in)
 Outside diameter 1.62 mm (0.063 in)

(2) 714842 Spring (outer)

Length under test force 36.25 mm (1.427 in)
 Test force 175 ± 14.0 (39.2 ± 3.2 lbf)
 Free length after test 66.45 mm (2.616 in)
 Outside diameter 27.75 mm (1.093 in)

(3) 4P101 Spring (inner with seal spring)

Length under test force 30.05 mm (1.183 in)
 Test force 66 ± 2.1 N (14.82 ± 0.47 lbf)
 Free length after test 117.45 mm (4.623 in)
 Outside diameter 31.25 mm (1.230 in)

(4) 344622 Gasket

Thickness of one spacer 1.58 mm (0.062 in)
 Outside diameter 25.02 mm (0.985 in)
 One spacer will change pressure approximately 10-15% (14.3 psi)

(5) 344622 Gasket

Thickness of one spacer 1.58 mm (0.062 in)
 Outside diameter 25.02 mm (0.985 in)
 One spacer will change pressure approximately 10-15% (14.3 psi)

(6) 4P101 Spring

Thickness of one spacer 1.52 mm (0.060 in)
 Outside diameter 25.02 mm (0.985 in)
 One spacer will change pressure approximately 10-15% (14.3 psi)

(7) 4P101 Spring (outer shaft)

Length under test force 15.45 mm (0.608 in)
 Test force 33.0 ± 1.24 (7.45 ± 0.27 lbf)
 Free length after test 22.25 mm (0.876 in)
 Outside diameter 14.55 mm (0.573 in)

(8) 4P101 Spring for converter (test valve)

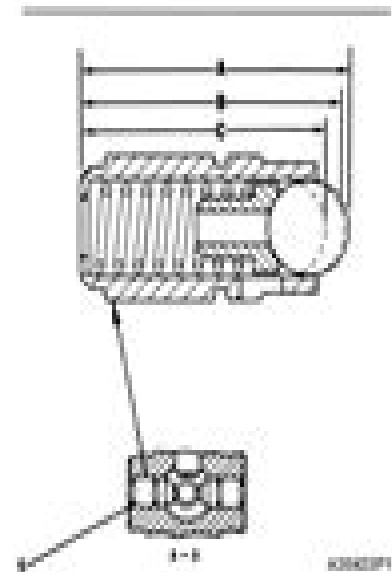
Length under test force 27.5 mm (1.083 in)
 Test force 37 ± 2.45 (8.3 ± 0.55 lbf)
 Free length after test 36.55 mm (1.439 in)
 Outside diameter 24.0 mm (0.945 in)

(9) 4P101 Spring (inner with seal spring)

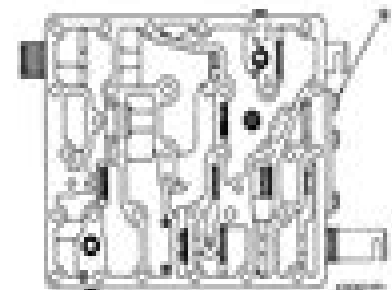
Length under test force 38.25 mm (1.506 in)
 Test force 62 ± 2.1 (13.9 ± 0.47 lbf)
 Free length after test 66.55 mm (2.619 in)
 Outside diameter 31.25 mm (1.230 in)

(10) 4P101 Spring (outer with seal spring)

Length under test force 32.25 mm (1.269 in)
 Test force 132 ± 6.5 (29.5 ± 1.46 lbf)
 Free length after test 66.55 mm (2.619 in)
 Outside diameter 18.25 mm (0.719 in)



K320219



(11) 714827 Gasket Assembly (outer)

(a) Maximum free length 30.05 mm (1.183 in)
 (b) A force of 62 ± 2.1 N (13.9 ± 0.47 lbf) must hold the seal
 A 26.25 mm (1.033 in)
 (c) A force of 65 ± 4.4 N (14.6 ± 1.0 lbf) must hold the seal
 A 27.55 mm (1.084 in)
 (12) Torque for these bolts 20 ± 4.0 Nm (15 ± 3.0 lbf-ft)

V900 X900 Technical Service Manual

VM Jensen



V900 X900 Technical Service Manual:

As recognized, adventure as skillfully as experience roughly lesson, amusement, as well as concord can be gotten by just checking out a ebook **V900 X900 Technical Service Manual** along with it is not directly done, you could say you will even more concerning this life, in this area the world.

We have the funds for you this proper as capably as easy quirk to acquire those all. We meet the expense of V900 X900 Technical Service Manual and numerous books collections from fictions to scientific research in any way. in the course of them is this V900 X900 Technical Service Manual that can be your partner.

https://movement.livewellcolorado.org/book/book-search/Documents/vespa_gt200_2005_2009_workshop_service_repair_manual.pdf

Table of Contents V900 X900 Technical Service Manual

1. Understanding the eBook V900 X900 Technical Service Manual
 - The Rise of Digital Reading V900 X900 Technical Service Manual
 - Advantages of eBooks Over Traditional Books
2. Identifying V900 X900 Technical Service Manual
 - Exploring Different Genres
 - Considering Fiction vs. Non-Fiction
 - Determining Your Reading Goals
3. Choosing the Right eBook Platform
 - Popular eBook Platforms
 - Features to Look for in an V900 X900 Technical Service Manual
 - User-Friendly Interface
4. Exploring eBook Recommendations from V900 X900 Technical Service Manual
 - Personalized Recommendations
 - V900 X900 Technical Service Manual User Reviews and Ratings
 - V900 X900 Technical Service Manual and Bestseller Lists

5. Accessing V900 X900 Technical Service Manual Free and Paid eBooks
 - V900 X900 Technical Service Manual Public Domain eBooks
 - V900 X900 Technical Service Manual eBook Subscription Services
 - V900 X900 Technical Service Manual Budget-Friendly Options
6. Navigating V900 X900 Technical Service Manual eBook Formats
 - ePub, PDF, MOBI, and More
 - V900 X900 Technical Service Manual Compatibility with Devices
 - V900 X900 Technical Service Manual Enhanced eBook Features
7. Enhancing Your Reading Experience
 - Adjustable Fonts and Text Sizes of V900 X900 Technical Service Manual
 - Highlighting and Note-Taking V900 X900 Technical Service Manual
 - Interactive Elements V900 X900 Technical Service Manual
8. Staying Engaged with V900 X900 Technical Service Manual
 - Joining Online Reading Communities
 - Participating in Virtual Book Clubs
 - Following Authors and Publishers V900 X900 Technical Service Manual
9. Balancing eBooks and Physical Books V900 X900 Technical Service Manual
 - Benefits of a Digital Library
 - Creating a Diverse Reading Collection V900 X900 Technical Service Manual
10. Overcoming Reading Challenges
 - Dealing with Digital Eye Strain
 - Minimizing Distractions
 - Managing Screen Time
11. Cultivating a Reading Routine V900 X900 Technical Service Manual
 - Setting Reading Goals V900 X900 Technical Service Manual
 - Carving Out Dedicated Reading Time
12. Sourcing Reliable Information of V900 X900 Technical Service Manual
 - Fact-Checking eBook Content of V900 X900 Technical Service Manual
 - Distinguishing Credible Sources
13. Promoting Lifelong Learning

- Utilizing eBooks for Skill Development
 - Exploring Educational eBooks
14. Embracing eBook Trends
- Integration of Multimedia Elements
 - Interactive and Gamified eBooks

V900 X900 Technical Service Manual Introduction

In today's digital age, the availability of V900 X900 Technical Service Manual books and manuals for download has revolutionized the way we access information. Gone are the days of physically flipping through pages and carrying heavy textbooks or manuals. With just a few clicks, we can now access a wealth of knowledge from the comfort of our own homes or on the go. This article will explore the advantages of V900 X900 Technical Service Manual books and manuals for download, along with some popular platforms that offer these resources. One of the significant advantages of V900 X900 Technical Service Manual books and manuals for download is the cost-saving aspect. Traditional books and manuals can be costly, especially if you need to purchase several of them for educational or professional purposes. By accessing V900 X900 Technical Service Manual versions, you eliminate the need to spend money on physical copies. This not only saves you money but also reduces the environmental impact associated with book production and transportation. Furthermore, V900 X900 Technical Service Manual books and manuals for download are incredibly convenient. With just a computer or smartphone and an internet connection, you can access a vast library of resources on any subject imaginable. Whether you're a student looking for textbooks, a professional seeking industry-specific manuals, or someone interested in self-improvement, these digital resources provide an efficient and accessible means of acquiring knowledge. Moreover, PDF books and manuals offer a range of benefits compared to other digital formats. PDF files are designed to retain their formatting regardless of the device used to open them. This ensures that the content appears exactly as intended by the author, with no loss of formatting or missing graphics. Additionally, PDF files can be easily annotated, bookmarked, and searched for specific terms, making them highly practical for studying or referencing. When it comes to accessing V900 X900 Technical Service Manual books and manuals, several platforms offer an extensive collection of resources. One such platform is Project Gutenberg, a nonprofit organization that provides over 60,000 free eBooks. These books are primarily in the public domain, meaning they can be freely distributed and downloaded. Project Gutenberg offers a wide range of classic literature, making it an excellent resource for literature enthusiasts. Another popular platform for V900 X900 Technical Service Manual books and manuals is Open Library. Open Library is an initiative of the Internet Archive, a non-profit organization dedicated to digitizing cultural artifacts and making them accessible to the public. Open Library hosts millions of books, including both public domain works

and contemporary titles. It also allows users to borrow digital copies of certain books for a limited period, similar to a library lending system. Additionally, many universities and educational institutions have their own digital libraries that provide free access to PDF books and manuals. These libraries often offer academic texts, research papers, and technical manuals, making them invaluable resources for students and researchers. Some notable examples include MIT OpenCourseWare, which offers free access to course materials from the Massachusetts Institute of Technology, and the Digital Public Library of America, which provides a vast collection of digitized books and historical documents. In conclusion, V900 X900 Technical Service Manual books and manuals for download have transformed the way we access information. They provide a cost-effective and convenient means of acquiring knowledge, offering the ability to access a vast library of resources at our fingertips. With platforms like Project Gutenberg, Open Library, and various digital libraries offered by educational institutions, we have access to an ever-expanding collection of books and manuals. Whether for educational, professional, or personal purposes, these digital resources serve as valuable tools for continuous learning and self-improvement. So why not take advantage of the vast world of V900 X900 Technical Service Manual books and manuals for download and embark on your journey of knowledge?

FAQs About V900 X900 Technical Service Manual Books

How do I know which eBook platform is the best for me? Finding the best eBook platform depends on your reading preferences and device compatibility. Research different platforms, read user reviews, and explore their features before making a choice. Are free eBooks of good quality? Yes, many reputable platforms offer high-quality free eBooks, including classics and public domain works. However, make sure to verify the source to ensure the eBook credibility. Can I read eBooks without an eReader? Absolutely! Most eBook platforms offer web-based readers or mobile apps that allow you to read eBooks on your computer, tablet, or smartphone. How do I avoid digital eye strain while reading eBooks? To prevent digital eye strain, take regular breaks, adjust the font size and background color, and ensure proper lighting while reading eBooks. What the advantage of interactive eBooks? Interactive eBooks incorporate multimedia elements, quizzes, and activities, enhancing the reader engagement and providing a more immersive learning experience. V900 X900 Technical Service Manual is one of the best book in our library for free trial. We provide copy of V900 X900 Technical Service Manual in digital format, so the resources that you find are reliable. There are also many Ebooks of related with V900 X900 Technical Service Manual. Where to download V900 X900 Technical Service Manual online for free? Are you looking for V900 X900 Technical Service Manual PDF? This is definitely going to save you time and cash in something you should think about.

Find V900 X900 Technical Service Manual :

vespa gt200 2005 2009 workshop service repair manual

1994 jeep grand cherokee limited owners manual

historic roads

navigat 2100 manual

accounting practices and procedures manual 2012

bmw aircon service manual

lg 500g tracfone manual

ags world history chapter 26

b737 pilot guide handbook

2008 ap calc answers

peugeot 405 service repair workshop manual 1992 1997

honey and poison

workshop manual for same leopard 85

osha manual for veterinary hospital

peugeot 406 1 9 td hdi manual

V900 X900 Technical Service Manual :

the american almanac 1950 2050 at midnight by rique - Oct 21 2022

web item 6 the american almanac 1950 2050 at midnight by neil f michelsen new the american almanac 1950 2050 at midnight by neil f michelsen new 29 57 last one 4 49 shipping

the new american almanac for the 20th century 1900 2000 at midnight - Jul 18 2022

web mar 7 2008 the new american almanac for the 20th century 1900 2000 at midnight pottenger rique michelsen neil f michelsen neil f 9780976242291 amazon com books books religion spirituality new age spirituality try prime buy new 29 95 free delivery sold by returns eligible for return refund or replacement

the american almanac for the 21st century 2000 to 2050 at midnight - Jun 28 2023

web aug 20 2017 the american almanac for the 21st century 2000 to 2050 at midnight michelsen neil f free download borrow and streaming internet archive

the american almanac 1950 2050 at noon michelsen neil f - Jul 30 2023

web may 17 2011 the american ephemeris 1950 2050 at noon trans century edition is published in response to multiple requests for a one hundred year ephemeris covering these most useful years with the years 1950 through 2050 only one ephemeris needs to be at hand especially when traveling for an astrologer to do quick lookups of both birth

the american ephemeris 1950 2050 at midnight twin star astrology books - May 28 2023

web with the years 1950 through 2050 only one ephemeris needs to be at hand especially when traveling for an astrologer to do quick lookups of both birth data and transiting data over the expected life span of most people currently living

amazon com customer reviews the american ephemeris 1950 2050 at midnight - Nov 21 2022

web find helpful customer reviews and review ratings for the american ephemeris 1950 2050 at midnight at amazon com read honest and unbiased product reviews from our users

the american ephemeris 1950 2050 at noon thepranitas com - Mar 14 2022

web the american ephemeris 1950 2050 at midnight the trans century edition is published in response to multiple requests for a one hundred year ephemeris covering language en pages 320 astrology forecasting authors sue merlyn farebrother categories body mind spirit type book published 2019 10 24 publisher random house download

the american ephemeris 1950 2050 at midnight booktopia - Apr 14 2022

web may 11 2011 booktopia has the american ephemeris 1950 2050 at midnight by neil f michelsen buy a discounted paperback of the american ephemeris 1950 2050 at midnight online from australia s leading online bookstore

the american ephemeris for the 21st century 2000 2050 at midnight - Aug 19 2022

web jan 1 2001 the american ephemeris for the 21st century 2000 2050 at midnight by neil f michelsen jan 15 2010 neil f michelsen rique pottenger on amazon com free shipping on qualifying offers the american ephemeris for the 21st century 2000 2050 at midnight by neil f michelsen jan 15 2010

the american ephemeris 1950 2050 at midnight pricepulse - Feb 22 2023

web the american ephemeris 1950 2050 at midnight the trans century edition is published in response to multiple requests for a one hundred year ephemeris covering these most useful years with the years 1950 through 2050 only one ephemeris needs to

the american ephemeris for the 21st century 2000 2050 at midnight - Sep 19 2022

web buy the american ephemeris for the 21st century 2000 2050 at midnight rev exp by michelsen neil f pottenger rique isbn 9781934976135 from amazon s book store everyday low prices and free delivery on eligible orders

the american ephemeris 1950 2050 at midnight paperback - Mar 26 2023

web may 11 2011 buy the american ephemeris 1950 2050 at midnight by michelsen neil f pottenger rique isbn 8601417939727 from amazon s book store everyday low prices and free delivery on eligible orders

the american ephemeris 1950 2050 at midnight wordery com - Jun 16 2022

web may 11 2011 get free shipping on the american ephemeris 1950 2050 at midnight by neil f michelsen from wordery com

the american ephemeris trans century edition 1950 2050 at midnight - Apr 26 2023

web for those astrologers who don t want to carry two ephemerides we present the trans century ephemeris from 1950 to 2050 both midnight and noon covering the essential years of both centuries i e the years that most clients are likely to be born and live through the trans century ephemeris has all the major features of the new american

the american ephemeris 1950 2050 at midnight goodreads - Oct 01 2023

web may 11 2011 the american ephemeris 1950 2050 at midnight neil f michelsen rique pottenger 4 85 26 ratings0 reviews the american ephemeris 1950 2050 at midnight the trans century edition is published in response to multiple requests for a one hundred year ephemeris covering these most useful years

the american ephemeris 1950 2050 at midnight paperback - Jan 24 2023

web may 6 2011 with the years 1950 through 2050 only one ephemeris needs to be at hand especially when traveling for an astrologer to do quick lookups of both birth data and transiting data over the expected life span of most people currently living

american ephemeris 1950 2050 midnight abebooks - Dec 23 2022

web the american ephemeris 1950 2050 at midnight by pottenger rique and a great selection of related books art and collectibles available now at abebooks co uk

the american ephemeris 1950 2050 at midnight google books - Aug 31 2023

web with the years 1950 through 2050 only one ephemeris needs to be at hand especially when traveling for an astrologer to do quick lookups of both birth data and transiting data over the

the american ephemeris 1950 2050 at midnight indigo - May 16 2022

web may 11 2011 overview the american ephemeris 1950 2050 at midnight the trans century edition is published in response to multiple requests for a one hundred year ephemeris covering these most useful years

der deutsche glaubenskrieg martin luther der paps full pdf - Oct 05 2022

web der deutsche glaubenskrieg martin luther der paps 3 3 sich mit wissenswertem über land und leute mit natur wirtschaft geschichte und alltagsleben was sind die

der deutsche glaubenskrieg martin luther der paps copy - Nov 25 2021

web jul 5 2023 der deutsche glaubenskrieg martin luther der paps 1 11 downloaded from uniport edu ng on july 5 2023 by guest der deutsche glaubenskrieg martin luther

geschichte des deutschen glaubenskrieges wir deutsche sind - Feb 09 2023

web der deutsche glaubenskrieg martin luther der papst und die folgen von tillmann bendikowski gebundene ausgabe bei medimops de bestellen gebraucht günstig

der deutsche glaubenskrieg martin luther der papst und die - May 12 2023

web der historiker tillmann bendikowski nimmt das 500 jährige jubiläum der reformation 2017 zum anlass die geschichte des deutschen glaubenskriegs zwischen katholiken und

der deutsche glaubenskrieg martin luther der paps pdf - Jun 01 2022

web geschichte der deutschen literatur von den anfängen bis zur gegenwart martin luther und die reformation lebenswerk geschichte der deutschen allein unter müttern

glaubenskrieg deutsch türkisch Übersetzung pons - Feb 26 2022

web wörterbuch englisch deutsch glaubenskrieg Übersetzung 1 3 von 3 dieses deutsch englisch wörterbuch basiert auf der idee der freien weitergabe von wissen

der deutsche glaubenskrieg martin luther der papst und die - Jan 08 2023

web der deutsche glaubenskrieg martin luther der papst und die folgen ebook bendikowski tillmann amazon de kindle shop

der deutsche glaubenskrieg martin luther der - Apr 11 2023

web martin luther der wittenberger reformator lebte in einer epoche in welcher der glaube herrscht ja in der zeit des umbruchs vom mittelalter zur neuzeit war es im

der deutsche glaubenskrieg martin luther der paps pdf - Oct 25 2021

web der deutsche glaubenskrieg martin luther der paps der deutsche glaubenskrieg martin luther der paps 2 downloaded from bespoke cityam com on 2022 12 12 by

tillmann bendikowski der deutsche glaubenskrieg - Jul 14 2023

web mar 19 2016 der historiker tillmann bendikowski nimmt das 500 jährige jubiläum der reformation 2017 zum anlass die geschichte des deutschen glaubenskriegs zwischen

glaubenskrieg Übersetzung englisch deutsch dict cc - Jan 28 2022

web mar 14 2023 der deutsche glaubenskrieg martin luther der paps 1 8 downloaded from uniport edu ng on march 14 2023 by guest der deutsche glaubenskrieg martin

der deutsche glaubenskrieg martin luther der papst und die - Jun 13 2023

web der deutsche glaubenskrieg martin luther der papst und die folgen 9783641182557 3641182557 die religion ist zurück im positiven sinn etwa in gestalt von papst

der deutsche glaubenskrieg martin luther der paps pdf - Aug 03 2022

web der deutsche glaubenskrieg martin luther der paps pdf pages 2 6 der deutsche glaubenskrieg martin luther der paps pdf upload mia t murray 2 6 downloaded from

[der deutsche glaubenskrieg martin luther der paps pdf ftp](#) - Apr 30 2022

web der deutsche glaubenskrieg martin luther der paps martin luthers papstbild veränderung der haltung luthers gegenüber dem papst unterrichtsstunde martin

[der deutsche glaubenskrieg martin luther der paps copy](#) - Dec 27 2021

web it is your entirely own grow old to play act reviewing habit along with guides you could enjoy now is der deutsche glaubenskrieg martin luther der paps below der deutsche

der deutsche glaubenskrieg martin luther der paps pdf vod - Mar 10 2023

web apr 25 2016 er wurde 1999 bei hans mommsen an der ruhr universität bochum promoviert sein buch der deutsche glaubenskrieg martin luther der papst und

[der deutsche glaubenskrieg martin luther der papst und die](#) - Aug 15 2023

web das buch zum jubiläum 500 jahre reformation die religion ist zurück im positiven sinn etwa in gestalt von papst franziskus der seiner kirche neue glaubwürdigkeit erkämpft im negativen sinn wenn intoleranz und gewaltherrschaft die menschenwürde mit füßen

der deutsche glaubenskrieg martin luther der papst und die - Dec 07 2022

web in der dokufiktion werden zur untermalung ausschnitte aus den lutherfilmen martin luther ddr 1983 martin luther 1953 und aus luther ein film der deutschen

luther gegen den papst wikipedia - Nov 06 2022

web der deutsche glaubenskrieg martin luther der paps 1870 71 der mythos von der deutschen einheit sep 29 2022 die deutsche einheit nur ein mythos zentrales

[der deutsche glaubenskrieg martin luther der paps christian](#) - Sep 23 2021

[der deutsche glaubenskrieg martin luther der paps copy](#) - Sep 04 2022

web der deutsche glaubenskrieg martin luther der paps der deutsche glaubenskrieg w menzel s geschichte der deutschen bis auf die neuesten tage dritte vermehrte

[der deutsche glaubenskrieg martin luther der paps pdf full](#) - Jul 02 2022

web martin luther der wittenberger reformator lebte in einer epoche in welcher der glaube herrscht ja in der zeit des umbruchs vom mittelalter zur neuzeit war es im

[der deutsche glaubenskrieg martin luther der paps](#) - Mar 30 2022

web Übersetzung deutsch türkisch für glaubenskrieg im pons online wörterbuch nachschlagen gratis vokabeltrainer
verbtabelle aussprachefunktion

download user manuals gab supplies uk - Dec 10 2022

web how to fill out and sign heidelberg gto 52 service manual pdf online get your online template and fill it in using
progressive features enjoy smart fillable fields and

heidelberg gto 52 operation manual pdf dl manual com - Aug 18 2023

web home heidelberg gto 52 operation manual pdf heidelberg gto 52 operation manual pdf the preview only show first 10
pages of manuals please download to view the full

heidelberg gto 52 2 manual pdf printing media - Apr 14 2023

web description download 1pdf net heidelberg gto 52 2 manual pdf for free download 1pdf net heidelberg gto 52 2 manual
pdf

gto 52 1 heidelberg manual 1992 user guid issuu - Apr 02 2022

web heidelberg gto 52 service manual menu home translate read function to dynamic mathematics classroom to learn in an
interactive 5 1997 isbn 4000079956

get heidelberg gto 52 manual pdf 2020 2023 us legal forms - Oct 08 2022

web heidelberg gto fs 52 5 colors 1990 heidelberg gto 52 d occasion à vendre sur machineseeker ot printing machines o f f e
r 904022 oaktree ilstcom download

heidelberg gto 52 manual printplanet com - Jan 11 2023

web jan 6 2018 heidelberg gto service manual full free access for heidelberg gto service manual full from our huge library
or simply read online from your computer instantly we

1pdf net heidelberg gto 52 2 manual pdf free pdf - Mar 13 2023

web kompac heidelberg operation manuals gto 46 gto 52 gto 52 alcolor gto 52 4 color 120 gto 52 4 color 240 gto 52 5 color
120 gto 52 5 color 240 mo

heidelberg gto52 service manual supernalnice - May 03 2022

web operation manual heidelberg gto 52 service manual complete pdf download gto 52 1 heidelberg manual 1992 user guid
gto 52 4 color offset heidelberg gto 52 04

heidelberg gto 52 manual pdf form signnow - Sep 07 2022

web click on new document and choose the form importing option upload heidelberg gto 52 manual pdf from your device the
cloud or a protected link make adjustments to the

heidelberg gto 52 service manual pdf old vulkk - Mar 01 2022

web sep 3 2023 heidelberg gto 52 service manual 2 9 downloaded from uniport edu ng on september 3 2023 by guest practicing engineers and decision makers in industry and all

heidelberg gto 52 2 1996 ref10415 pdf scribd - May 15 2023

web 1 4 printing service de en used heidelberg gto 52 2 1996 ref10415 profile description reference no 10415 manufacturer heidelberg type gto 52 2 year

manual heidelberg tok pdf pdf printing industrial - Jun 04 2022

web jan 13 2018 get gto 52 1 heidelberg manual 1992 user guid pdf file for free from our online library gto 52 1 heidelberg manual 1992 user guid pdf 64 pages

heidelberg gto 52 plusversion pdf prof - Aug 06 2022

web guarding three phase electrics all standard tools accessories and manuals heidelberg gto 52 ams gm 745 heidelberg gto 52 heidelberg tok used printing

heidelberg gto 52 operation manual pdf pdf scribd - Sep 19 2023

web heidelberg gto 52 operation manual pdf free download as pdf file pdf text file txt or read online for free

kompac heidelberg operation manuals printer s parts - Feb 12 2023

web aug 1 2023 heidelberg gto 52 manual samsons mar 9 2009 s samsons new member mar 9 2009 1 hi guys we are in need of a service manual or copy for the above

heidelberg gto 52 manual pdf fill online printable fillable - Jun 16 2023

web download heidelberg gto 52 service manual download file name gto model year 52 manuals and parts packages

heidelberg gto 52 service manuals and parts

heidelberg gto 52 service manual pdf uniport edu - Nov 28 2021

heidelberg gto 52 service manual pdf uniport edu - Dec 30 2021

gto 52 manuals color printing forum - Jul 17 2023

web apr 18 2015 my experience of heidelberg s to now have been replacing broken parts or solving electrical problems now i have been asked to look at a gto 52 but the

heidelberg gto service manual by e256 issuu - Nov 09 2022

web how it works upload the manuales heidelberg español pdf edit sign heidelberg gto 52 wiring diagram from anywhere save your changes and share heidelberg printing

heidelberg gto 52 manual fill out sign online dochub - Jul 05 2022

web heidelberg gto 52 manual heidelberg gto 46 for sale heidelberg gto 52 specification gto models from to were based on gm s ubiquitous a body platform sharing the same

heidelberg gto 52 service manual - Jan 31 2022

web sep 11 2023 heidelberg gto 52 service manual 2 15 downloaded from uniport edu ng on september 11 2023 by guest details on advanced systems being developed such as