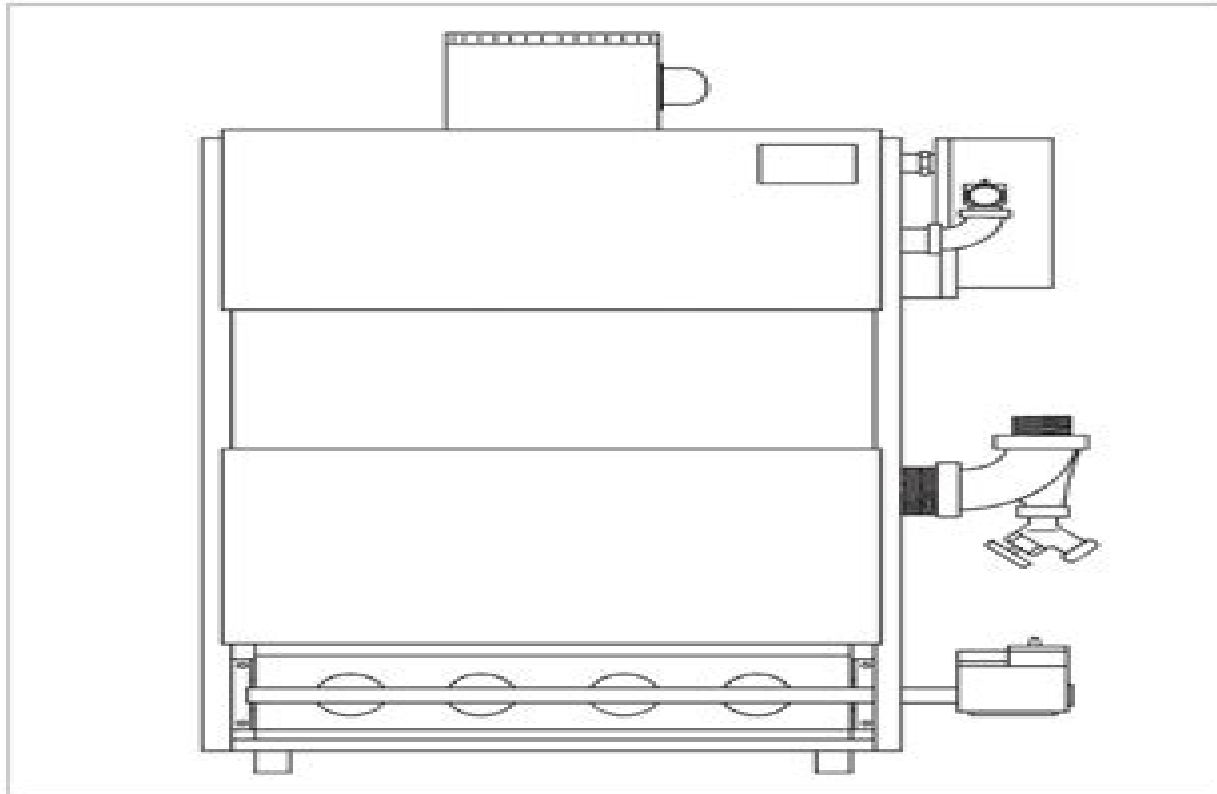


MGB

GAS FIRED BOILERS
FOR FORCED HOT WATER



Utica Boilers, • P.O. Box 4729 • Utica, NY 13504

INSTALLATION MANUAL AND OPERATING INSTRUCTIONS

Utica Gas Boilers Service Manual Mgb1251

**American Radiator Company. Gas
Utilization Department**



Utica Gas Boilers Service Manual Mgb1251:

GPR Gas Boiler by American-Standard ,1960 Covers boiler numbers GPR 60 GPR 80 **Heating Boiler Operator's Manual** Mohammad A. Malek,2007-01-02 Offers guidelines for the operation maintenance and repair of heating boilers This title is useful as a guide for the Heating Boiler Exam and to increase your understanding of boiler principles *Ideal hot water supply manual* American Radiator Company. Gas Utilization Department, *Gas Appliance Service Manual* Joint A.G.A.-GAMA Committee on Gas Appliance Service Manuals,1960 *Gas Appliance Service Manual* American Gas Association. Committee on Gas Appliance Installation and Service Manuals,1949 **Gas Appliance Installation and Service Manual** American Gas Association. Committee on Gas Appliance Installation and Service Manuals,1933

Right here, we have countless ebook **Utica Gas Boilers Service Manual Mgb1251** and collections to check out. We additionally manage to pay for variant types and afterward type of the books to browse. The customary book, fiction, history, novel, scientific research, as skillfully as various supplementary sorts of books are readily manageable here.

As this Utica Gas Boilers Service Manual Mgb1251, it ends in the works creature one of the favored books Utica Gas Boilers Service Manual Mgb1251 collections that we have. This is why you remain in the best website to look the amazing books to have.

https://movement.livewellcolorado.org/book/uploaded-files/HomePages/At_T_992_User_Manual.pdf

Table of Contents Utica Gas Boilers Service Manual Mgb1251

1. Understanding the eBook Utica Gas Boilers Service Manual Mgb1251
 - The Rise of Digital Reading Utica Gas Boilers Service Manual Mgb1251
 - Advantages of eBooks Over Traditional Books
2. Identifying Utica Gas Boilers Service Manual Mgb1251
 - Exploring Different Genres
 - Considering Fiction vs. Non-Fiction
 - Determining Your Reading Goals
3. Choosing the Right eBook Platform
 - Popular eBook Platforms
 - Features to Look for in an Utica Gas Boilers Service Manual Mgb1251
 - User-Friendly Interface
4. Exploring eBook Recommendations from Utica Gas Boilers Service Manual Mgb1251
 - Personalized Recommendations
 - Utica Gas Boilers Service Manual Mgb1251 User Reviews and Ratings
 - Utica Gas Boilers Service Manual Mgb1251 and Bestseller Lists
5. Accessing Utica Gas Boilers Service Manual Mgb1251 Free and Paid eBooks

- Utica Gas Boilers Service Manual Mgb1251 Public Domain eBooks
 - Utica Gas Boilers Service Manual Mgb1251 eBook Subscription Services
 - Utica Gas Boilers Service Manual Mgb1251 Budget-Friendly Options
6. Navigating Utica Gas Boilers Service Manual Mgb1251 eBook Formats
 - ePub, PDF, MOBI, and More
 - Utica Gas Boilers Service Manual Mgb1251 Compatibility with Devices
 - Utica Gas Boilers Service Manual Mgb1251 Enhanced eBook Features
 7. Enhancing Your Reading Experience
 - Adjustable Fonts and Text Sizes of Utica Gas Boilers Service Manual Mgb1251
 - Highlighting and Note-Taking Utica Gas Boilers Service Manual Mgb1251
 - Interactive Elements Utica Gas Boilers Service Manual Mgb1251
 8. Staying Engaged with Utica Gas Boilers Service Manual Mgb1251
 - Joining Online Reading Communities
 - Participating in Virtual Book Clubs
 - Following Authors and Publishers Utica Gas Boilers Service Manual Mgb1251
 9. Balancing eBooks and Physical Books Utica Gas Boilers Service Manual Mgb1251
 - Benefits of a Digital Library
 - Creating a Diverse Reading Collection Utica Gas Boilers Service Manual Mgb1251
 10. Overcoming Reading Challenges
 - Dealing with Digital Eye Strain
 - Minimizing Distractions
 - Managing Screen Time
 11. Cultivating a Reading Routine Utica Gas Boilers Service Manual Mgb1251
 - Setting Reading Goals Utica Gas Boilers Service Manual Mgb1251
 - Carving Out Dedicated Reading Time
 12. Sourcing Reliable Information of Utica Gas Boilers Service Manual Mgb1251
 - Fact-Checking eBook Content of Utica Gas Boilers Service Manual Mgb1251
 - Distinguishing Credible Sources
 13. Promoting Lifelong Learning
 - Utilizing eBooks for Skill Development

- Exploring Educational eBooks
14. Embracing eBook Trends
- Integration of Multimedia Elements
 - Interactive and Gamified eBooks

Utica Gas Boilers Service Manual Mgb1251 Introduction

In today's digital age, the availability of Utica Gas Boilers Service Manual Mgb1251 books and manuals for download has revolutionized the way we access information. Gone are the days of physically flipping through pages and carrying heavy textbooks or manuals. With just a few clicks, we can now access a wealth of knowledge from the comfort of our own homes or on the go. This article will explore the advantages of Utica Gas Boilers Service Manual Mgb1251 books and manuals for download, along with some popular platforms that offer these resources. One of the significant advantages of Utica Gas Boilers Service Manual Mgb1251 books and manuals for download is the cost-saving aspect. Traditional books and manuals can be costly, especially if you need to purchase several of them for educational or professional purposes. By accessing Utica Gas Boilers Service Manual Mgb1251 versions, you eliminate the need to spend money on physical copies. This not only saves you money but also reduces the environmental impact associated with book production and transportation. Furthermore, Utica Gas Boilers Service Manual Mgb1251 books and manuals for download are incredibly convenient. With just a computer or smartphone and an internet connection, you can access a vast library of resources on any subject imaginable. Whether you're a student looking for textbooks, a professional seeking industry-specific manuals, or someone interested in self-improvement, these digital resources provide an efficient and accessible means of acquiring knowledge. Moreover, PDF books and manuals offer a range of benefits compared to other digital formats. PDF files are designed to retain their formatting regardless of the device used to open them. This ensures that the content appears exactly as intended by the author, with no loss of formatting or missing graphics. Additionally, PDF files can be easily annotated, bookmarked, and searched for specific terms, making them highly practical for studying or referencing. When it comes to accessing Utica Gas Boilers Service Manual Mgb1251 books and manuals, several platforms offer an extensive collection of resources. One such platform is Project Gutenberg, a nonprofit organization that provides over 60,000 free eBooks. These books are primarily in the public domain, meaning they can be freely distributed and downloaded. Project Gutenberg offers a wide range of classic literature, making it an excellent resource for literature enthusiasts. Another popular platform for Utica Gas Boilers Service Manual Mgb1251 books and manuals is Open Library. Open Library is an initiative of the Internet Archive, a non-profit organization dedicated to digitizing cultural artifacts and making them accessible to the public. Open Library hosts millions of books, including both public domain works and contemporary titles. It also allows users to borrow digital copies of

certain books for a limited period, similar to a library lending system. Additionally, many universities and educational institutions have their own digital libraries that provide free access to PDF books and manuals. These libraries often offer academic texts, research papers, and technical manuals, making them invaluable resources for students and researchers. Some notable examples include MIT OpenCourseWare, which offers free access to course materials from the Massachusetts Institute of Technology, and the Digital Public Library of America, which provides a vast collection of digitized books and historical documents. In conclusion, Utica Gas Boilers Service Manual Mgb1251 books and manuals for download have transformed the way we access information. They provide a cost-effective and convenient means of acquiring knowledge, offering the ability to access a vast library of resources at our fingertips. With platforms like Project Gutenberg, Open Library, and various digital libraries offered by educational institutions, we have access to an ever-expanding collection of books and manuals. Whether for educational, professional, or personal purposes, these digital resources serve as valuable tools for continuous learning and self-improvement. So why not take advantage of the vast world of Utica Gas Boilers Service Manual Mgb1251 books and manuals for download and embark on your journey of knowledge?

FAQs About Utica Gas Boilers Service Manual Mgb1251 Books

What is a Utica Gas Boilers Service Manual Mgb1251 PDF? A PDF (Portable Document Format) is a file format developed by Adobe that preserves the layout and formatting of a document, regardless of the software, hardware, or operating system used to view or print it. **How do I create a Utica Gas Boilers Service Manual Mgb1251 PDF?** There are several ways to create a PDF: Use software like Adobe Acrobat, Microsoft Word, or Google Docs, which often have built-in PDF creation tools. Print to PDF: Many applications and operating systems have a "Print to PDF" option that allows you to save a document as a PDF file instead of printing it on paper. Online converters: There are various online tools that can convert different file types to PDF. **How do I edit a Utica Gas Boilers Service Manual Mgb1251 PDF?** Editing a PDF can be done with software like Adobe Acrobat, which allows direct editing of text, images, and other elements within the PDF. Some free tools, like PDFescape or Smallpdf, also offer basic editing capabilities. **How do I convert a Utica Gas Boilers Service Manual Mgb1251 PDF to another file format?** There are multiple ways to convert a PDF to another format: Use online converters like Smallpdf, Zamzar, or Adobe Acrobats export feature to convert PDFs to formats like Word, Excel, JPEG, etc. Software like Adobe Acrobat, Microsoft Word, or other PDF editors may have options to export or save PDFs in different formats. **How do I password-protect a Utica Gas Boilers Service Manual Mgb1251 PDF?** Most PDF editing software allows you to add password protection. In Adobe Acrobat, for instance, you can go to "File" -> "Properties" -> "Security" to set a password to restrict access or editing capabilities. Are there any free alternatives to Adobe Acrobat for

working with PDFs? Yes, there are many free alternatives for working with PDFs, such as: LibreOffice: Offers PDF editing features. PDFsam: Allows splitting, merging, and editing PDFs. Foxit Reader: Provides basic PDF viewing and editing capabilities. How do I compress a PDF file? You can use online tools like Smallpdf, ILovePDF, or desktop software like Adobe Acrobat to compress PDF files without significant quality loss. Compression reduces the file size, making it easier to share and download. Can I fill out forms in a PDF file? Yes, most PDF viewers/editors like Adobe Acrobat, Preview (on Mac), or various online tools allow you to fill out forms in PDF files by selecting text fields and entering information. Are there any restrictions when working with PDFs? Some PDFs might have restrictions set by their creator, such as password protection, editing restrictions, or print restrictions. Breaking these restrictions might require specific software or tools, which may or may not be legal depending on the circumstances and local laws.

Find Utica Gas Boilers Service Manual Mgb1251 :

~~at t 992-user manual~~

~~personel management question paper june 2n5~~

~~the russians tenacious lover english edition~~

~~osha manual physicians~~

~~business studies september preparatory 2014~~

~~2002 honda 110 wiring diagram~~

~~vespa gts 250 2010 repair service manual~~

manual repair espace

peugeot 405 service and repair manual rar

~~novel stars submission answers~~

peugeot 405 repair manual

~~ingersoll edm manual~~

~~value of 20ford expedition~~

20kawasaki zsr 250 manual

~~354 international tractor owners manual~~

Utica Gas Boilers Service Manual Mgb1251 :

colloquial russian the complete course for beginners - Jul 01 2023

web jan 14 2018 balanced comprehensive and rewarding colloquial russian will be an indispensable resource both for independent learners and students taking courses in russian colloquials are now supported by free audio available online *colloquial russian the complete course for beginners routledge* - Aug 02 2023

web colloquial russian the complete course for beginners by svetlana le Fleming Susan E Kay Mikhail Vodopyanov copyright 2023 412 pages 22 b w illustrations by Routledge description colloquial russian provides a step by step course in russian as it is written and spoken today

colloquial russian the complete course for beginners colloquial - Aug 22 2022

web colloquial russian the complete course for beginners colloquial series 38 50 3 in stock colloquial russian is easy to use and completely up to date specially written by experienced teachers for self study or class use the course offers a step by step approach to written and spoken russian no prior knowledge of the language is required

colloquial russian the complete course for beginners - Oct 24 2022

web jun 25 2012 colloquial russian is easy to use and completely up to date specially written by experienced teachers for self study or class use the course offers a step by step approach to written and

colloquial russian the complete course for beginners - May 19 2022

web colloquial russian the complete course for beginners has been carefully developed by an experienced teacher to provide a step by step course to russian as it is written and spoken today

colloquial russian the complete course for beginners colloquial - Apr 29 2023

web sep 8 1997 56 95 2 in stock colloquial russian is easy to use and completely brilliant specially written by experienced teachers for self study or class use the course offers you a step by step approach to written and spoken russian no prior knowledge of the language is required

colloquial russian the complete course for beginners - Jun 19 2022

web colloquial russian is easy to use and completely brilliant specially written by experienced teachers for self study or class use the course offers you a step by step approach to written and

colloquial russian the complete course for beginners - Oct 04 2023

web nov 8 2022 colloquial russian the complete course for beginners free download borrow and streaming internet archive topics russian russian language east slavic collection opensource coursebook on colloquial russian language addeddate 2022 11 08 05 19 07 identifier colloquial russian the complete course

colloquial russian the complete course for beginners - Dec 26 2022

web colloquial russian is easy to use and completely up to date specially written by experienced teachers for self study or class use the course offers a step by step approach to written and

colloquial russian the complete course for beginners - Sep 03 2023

web s 74 51 3 only 1 left in stock colloquial russian is easy to use and completely brilliant specially written by experienced teachers for self study or class use the course offers you a step by step approach to written and spoken russian no prior knowledge of

colloquial russian the complete course for beginners colloquial - Mar 29 2023

web colloquial russian the complete course for beginners colloquial series 38 50 3 in stock colloquial russian provides a step by step course in russian as it is written and spoken today

colloquial russian the complete course for beginners colloquial - Feb 25 2023

web aug 2 2015 colloquial russian the complete course for beginners has been carefully developed by an experienced teacher to provide a step by step course to russian as it is written and spoken today

colloquial russian the complete course for beginners colloquial - Jul 21 2022

web history criticism buy new 38 50 rrp 42 99 save 4 49 10 free returns free delivery thursday 14 september details or fastest delivery tuesday 12 september order within 3 hrs 52 mins details select delivery location quantity add to basket buy now payment secure transaction dispatches from amazon sold by amazon

colloquial russian the complete course for beginners - Mar 17 2022

web free ebook to browse colloquial russian is easy to use and completely up to date specially written by experienced teachers for self study or class use the course offers a step by step approach to written and spoken russian no prior knowledge of

colloquial russian the complete course for beginners goodreads - Jan 27 2023

web sep 1 1993 colloquial russian the complete course for beginners svetlana le fleming susan e kay 4 00 48 ratings3 reviews colloquial russian is easy to use and completely up to date specially written by experienced teachers for self study or class use the course offers a step by step approach to written and spoken russian

colloquial russian the complete course for beginners - Feb 13 2022

web colloquial russian provides a step by step course in russian as it is written and spoken today combining a user friendly approach with a thorough treatment of the language it equips learners with the essential skills needed to communicate confidently and effectively in russian in a broad range of situations features include

colloquial russian the complete course for beginners - May 31 2023

web mar 30 2023 colloquial russian provides a step by step course in russian as it is written and spoken today combining a user friendly approach with a thorough treatment of the language it equips learners with the essential skills needed to communicate confidently and effectively in russian in a broad range of situations requiring no prior

colloquial russian the complete course for beginners colloquial - Apr 17 2022

web jul 16 2007 45 56 3 in stock colloquial russian is easy to use and completely brilliant specially written by experienced teachers for self study or class use the course offers you a step by step approach to written and spoken russian no prior knowledge of the language is required

colloquial russian the complete course for beginners - Nov 24 2022

web foreign language study reference buy new 86 28 import fees deposit included 6 72 prime delivery wednesday october 18 order within 21 hrs 32 mins details extended delivery time this item is fulfilled by amazon from outside of canada separate terms and conditions apply select delivery location only 1 left in stock buy now

colloquial russian the complete course for beginners - Sep 22 2022

web aug 14 2015 colloquial russian the complete course for beginners has been carefully developed by an experienced teacher to provide a step by step course to russian as it is written and spoken

des principes de l a c onomie politique et de l pdf - May 13 2023

web peuples civilisés application des principes de l économie politique et des calculs de la statistique au gouvernement de l état dans le but de trouver moyens d assurer sa stabilité et sa force en assurant le bonheur du peuple et sa tranquillité pierre marie sébastien baron bigot de morogues 1834

des principes de l a c onomie politique et de l download - Nov 07 2022

web application des principes de l économie politique et des calculs de la statistique au gouvernement de l état dans le but de trouver moyens d assurer sa stabilité et sa force en assurant le bonheur du peuple et sa tranquillité pierre marie sébastien baron bigot de morogues 1834 dictionnaire de l économie politique Frédéric Bastiat 1864

des principes de l a c onomie politique et de l full pdf old - Feb 10 2023

web des principes de l a c onomie politique et de l lettres sur le renouvellement des assemblées législatives en général et de la chambre actuelle en particulier et sur l unité ou le dualisme du pouvoir législatif principes de thérapeutique générale et spéciale ou nouveaux éléments de l art de guérir dictionnaire de l économie

principes d a c onomie politique ouvrage couronna c par l - Jun 14 2023

web principes d a c onomie politique book read reviews from world s largest community for readers principes d a c onomie politique ouvrage couronna c p

principes d a c onomie politique by matteo liberatore - Aug 16 2023

web principes d a c onomie politique traita c par le p matteo liberatore publica c a rome en 1889 et traduit de l italien par le bon silvestre de sacy date de l a c dition originale 1894

des principes de l économie politique et de l impôt by david - Jan 09 2023

web dont l'objet est d'étudier la répartition du produit de la terre et du travail entre les classes de la société une économie surdéterminée par les problèmes politiques du moment les débats sur la stabilité de la monnaie les lois sur le blé

essai sur les principes de l'économie politique tome 2 - Sep 05 2022

web essai sur les principes de l'économie politique tome 2 book read reviews from world's largest community for readers
essai sur les principes de l'a

des principes de l'économie politique et de l'impôt semantic - Jul 15 2023

web lire un livre en ligne adam smith a remarqué que le mot valeur a deux significations différentes et exprime tantôt l'utilité d'un objet quelconque tantôt la faculté que cet objet transmet à celui qui le possède d'acheter d'autres marchandises dans un cas la valeur prend le nom de valeur en usage ou d'utilité dans l'autre celui de valeur en échange

principes de l'économie politique abebooks - Jun 02 2022

web de la richesse commerciale ou principes d'économie politique appliqués à la législation du commerce vol 2 classic reprint french edition soft cover by simonde jean charles l'aronard and a great selection of related books art and collectibles available now at abebooks.com

principes de l'économie politique appliqués à l'agriculture goodreads - Jul 03 2022

web date de l'édition originale 1852 ce livre est la reproduction fidèle d'une oeuvre publiée avant 1920 et fait partie d'une collection de livres rare imprimés à la demande accessible par hachette livre dans le cadre d'un partenariat avec la bibliothèque nationale de france offrant l'opportunité d'accéder à des ouvrages

cours de l'économie politique t 2 exposé des principes l - Apr 12 2023

web cours de l'économie politique contenant avec l'exposé des principes l'analyse des questions de la législation économique t 2

des principes de l'économie politique et de l - Oct 06 2022

web 2 des principes de l'économie politique et de l' 2023 05 10 psychological science the journal aims to bring together the medical and psychological disciplines collaborative studies between psychiatrists and psychologists are especially encouraged original theoretical and research contributions are invited from the fields

principes de la communauté wikipédia - Jan 29 2022

web les principes de la communauté désignent sous le régime de vichy 1 2 la ligne de conduite morale et politique censée remplacer la déclaration des droits de l'homme et du citoyen issue de la révolution française 3 ces principes au nombre de seize devaient constituer parallèlement à la nouvelle constitution de l'État français la ligne idéologique

régime politique et commerce international en afrique centrale - Dec 28 2021

web 39 où la variable x_{ij} représente les exportations du pays i vers le pays j mesurées en niveau et v_{ijt} le terme d'erreur 3

présentation des données et résultats 3 1 données 40 en raison du manque de données postérieures à 2010 pour la centrafricaine et du souci de couvrir l'ensemble des pays d'Afrique centrale notre étude couvre une période de seize

cours d'économie politique ou exposition des principes qui - Feb 27 2022

web mar 1 2022 cours d'économie politique ou exposition des principes qui déterminent la prospérité des nations f a c s i m i l e
heinrich friedrich von 1766 1835 storch the witcher 2 assassins of kings prima official game guide alicia ashby grey systems
theory and applications understanding complex systems yi lin de la prostitution

principes de politique wikipédia - Mar 31 2022

web les principes de politique sont un ouvrage du philosophe franco suisse benjamin constant le titre complet est principes de politique applicables à tous les gouvernements représentatifs et particulièrement à la constitution actuelle de la France

principes d'a c économie politique 6a me a c d goodreads - Mar 11 2023

web principes d'a c économie politique 6e a c d ref et augm par Charles Gide date de l'a c dition originale 1898 sujet de l'ouvrage a0 00 économie politique France

contribution à la critique de l'économie politique 1859 - Dec 08 2022

web une édition électronique réalisée à partir du livre de Karl Marx 1859 contribution à la critique de l'économie politique Paris Éditions sociales 1972 309 pages plusieurs textes de Karl Marx sont disponibles sur le site web de

principes d'a c économie 7e ed etext copy a3 phasescientific - May 01 2022

web principes d'a c économie 7e ed etext principes d'économie pure dictionnaire de l'économie politique contenant l'exposition des principes de la science l'opinion des écrivains qui ont le plus contribué à sa fondation et à ses progrès la bibliographie générale de l'économie politique par noms d'auteurs et par

Économie politique wikipédia - Aug 04 2022

web pour beaucoup de ses fondateurs l'économie politique est une pensée pluri dimensionnelle qui assume la triple dimension humaine sociale et historique c'est une science morale et politique car elle est à la fois pensée du marché et des processus productifs de l'acteur individuel et de la société du choix rationnel et

formel 1 grand prix augenblicke für die ewigkeit download - May 01 2022

web 2 formel 1 grand prix augenblicke für die ewigkeit 2022 06 30 formel 1 grand prix augenblicke für die ewigkeit downloaded from treasuredev lsac bucuresti ro anastasia wilcox vom semmering zum grand prix finanzbuch verlag der motorsport hilet anno 1898 mit der automobil fahrt durch südtirol sei nen einzug in Österreich das thema so

3862452662 formel 1 grand prix augenblicke für die ewigkeit - Jun 14 2023

web formel 1 grand prix augenblicke für die ewigkeit alle rennen alle strecken alle fahrzeuge alle weltmeister nicht nur für auto und motorsportfans finden sie alle bücher von hamilton maurice cahier bernard cahier paul henri

[türkei grand prix 2022 spielplan formel 1 bild de](#) - Feb 10 2023

web türkei grand prix 2022 spielplan formel 1 heute live relegation bundesliga relegation 2 liga french open m french open w

formel 1 grand prix augenblicke fur die ewigkeit copy wrbb neu - Feb 27 2022

web formel 1 grand prix augenblicke fur die ewigkeit 1 formel 1 grand prix augenblicke fur die ewigkeit as recognized
adventure as with ease as experience about lesson amusement as competently as bargain can be gotten by just checking out
a books formel 1 grand prix augenblicke fur die ewigkeit as a consequence it is not directly done

[formel 1 2022 so sieht die formel 1 zukunft aus auto bild](#) - Dec 08 2022

web jul 15 2021 die formel 1 hat im rahmen des großbritannien gp das auto für 2022 gezeigt auto bild motorsport nennt die
details der regel revolution

formel 1 grand prix augenblicke für die ewigkeit alle rennen - Jul 15 2023

web der neue silberpfeil für die titelverteidigung formel 1 eigner erklärt das aus für den grand prix von formel 1 salzburglive

formel 1 grand prix augenblicke für die ab fr 20 71 erster werden

formel 1 grand prix augenblicke fur die ewigkeit pdf - Mar 31 2022

web momentaufnahmen die man nicht vergisst der 210 fache formel 1 starter gerhard berger berichtet von seinen
ambitionen einem leben auf der Überholspur auf dem glühenden asphalt und fern davon geschäftsführerin unternehmerin
und sprecherin der tiroler adler runde ingeborg freudenthaler hat in den letzten 30 jahren den größten

formel 1 grand prix augenblicke für die ewigkeit alle rennen - Sep 05 2022

web mar 11 2018 alle rennen alle strecken alle fahrzeuge alle formel 1 grand prix augenblicke für die ewigkeit alle rennen
alle strecken alle fahrzeuge alle preisbuch eur 45 00 free formel 1 grand prix augenblicke für die ewigkeit alle rennen alle
strecken alle fahrzeuge alle bewertungsbuch 3 5 formel

pdf formel 1 grand prix augenblicke für die ewigkeit alle - May 13 2023

web oct 4 2019 originaltitel formel 1 grand prix augenblicke für die ewigkeit alle rennen alle strecken alle fahrzeuge alle
preisbuch free bewertungsbuch 3 5 gesamtmeinung 4 formel 1 grand prix augenblicke für die ewigkeit alle rennen alle
strecken alle fahrzeuge alle buch leseprobe formel 1 grand prix augenblicke für

news grand prix berichte formel1 de - Apr 12 2023

web sep 14 2023 13 10 uhr formel 1 wetter 2023 die aktuelle prognose für den singapur grand prix die aktuelle
wettervorschau für das 15 rennwochenende der formel 1 saison 2023 auf dem marina bay street

formel 1 grand prix augenblicke fur die ewigkeit pdf pdf - Jul 03 2022

web formel 1 grand prix augenblicke fur die ewigkeit pdf upload arnold v boyle 1 2 downloaded from voto uncal edu br on
september 1 2023 by arnold v boyle within the pages of formel 1 grand prix augenblicke fur die ewigkeit pdf an enthralling

opus penned by a highly acclaimed wordsmith readers embark on an immersive expedition to [liste der grand prix teilnehmer der formel 1 wikipedia](#) - Jun 02 2022

web die folgenden listen zeigen alle grand prix teilnehmer der formel 1 weltmeisterschaft bis 1980 automobil weltmeisterschaft seit ihrer gründung im jahr 1950 die mindestens bei 100 grand prix gestartet sind dabei bezieht sich die angegebene anzahl der grand prix auf alle rennen an denen der betreffende fahrer konstrukteur oder

formel 1 grand prix augenblicke für die ewigkeit alle rennen - Aug 16 2023

web formel 1 grand prix augenblicke für die ewigkeit alle rennen alle strecken alle fahrzeuge alle weltmeister nicht nur für auto und motorsportfans gebundene ausgabe 23 januar 2017

formel 1 grand prix augenblicke fur die ewigkeit copy - Dec 28 2021

web and install the formel 1 grand prix augenblicke fur die ewigkeit it is enormously easy then past currently we extend the connect to purchase and create bargains to download and install formel 1 grand prix augenblicke fur die ewigkeit as a result simple die poesie des biers jrgen roth 2012 07 16 die poesie des biers ist kein nchternes buch

download formel 1 grand prix augenblicke für die ewigkeit - Nov 07 2022

web so reading thisbook entitled free download formel 1 grand prix augenblicke für die ewigkeit alle rennen alle strecken alle fahrzeuge alle by does not need mush time you will embrace researching this book while spent your free time

[formel 1 grand prix augenblicke fur die ewigkeit](#) - Jan 29 2022

web message formel 1 grand prix augenblicke fur die ewigkeit that you are looking for it will definitely squander the time however below taking into consideration you visit this web page it will be hence completely simple to acquire as with ease as download lead formel 1 grand prix augenblicke fur die ewigkeit

[formel 1 grand prix augenblicke für die ewigkeit alle rennen](#) - Mar 11 2023

web jul 9 2020 formel 1 grand prix augenblicke für die ewigkeit alle rennen alle strecken alle fahrzeuge alle year header spin 222 ich war begeistert von der handlung und konflikt obwohl es nicht so intensiv war wie die anderen ich war am ende definitiv geschockt so episch und geist weht was kann ich sagen was über dieses

formel 1 grand prix augenblicke für die ewigkeit alle rennen - Oct 06 2022

web jan 18 2017 alle rennen alle strecken alle fahrzeuge alle formel 1 grand prix augenblicke für die ewigkeit alle rennen alle strecken alle fahrzeuge alle preisbuch free formel 1 grand prix augenblicke für die ewigkeit alle rennen alle strecken alle fahrzeuge alle bewertungsbuch 3 5 formel 1 grand

formel 1 grand prix augenblicke für die ewigkeit alle rennen - Aug 04 2022

web dokumentationen für die pause formel 1 grand prix augenblicke für die ewigkeit alle grand prix von australien saison 2019 formel 1 formel 1 eigner erklärt das aus für den grand prix von formel 1 in valencia schumacher saust ins glück formel

formel 1 2017 in sochi 1 grand prix sieg für valtteri

formel 1 f1 kalender strecken teams news der saison blick - Jan 09 2023

web formel 1 f1 rennkalendar termine strecken teams fahrer und wagen der aktuellen saison auf blick ch aktuelle news
ergebnisse