

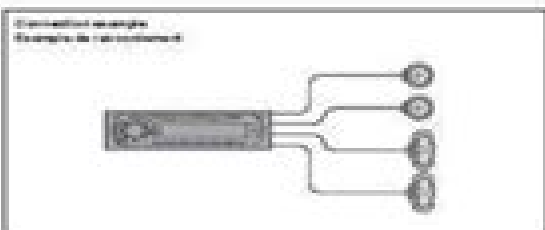
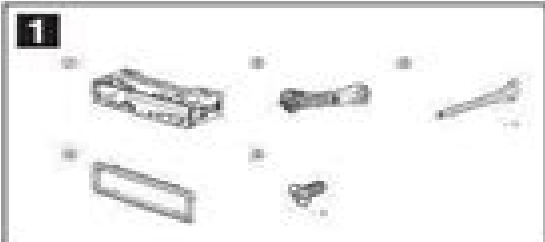
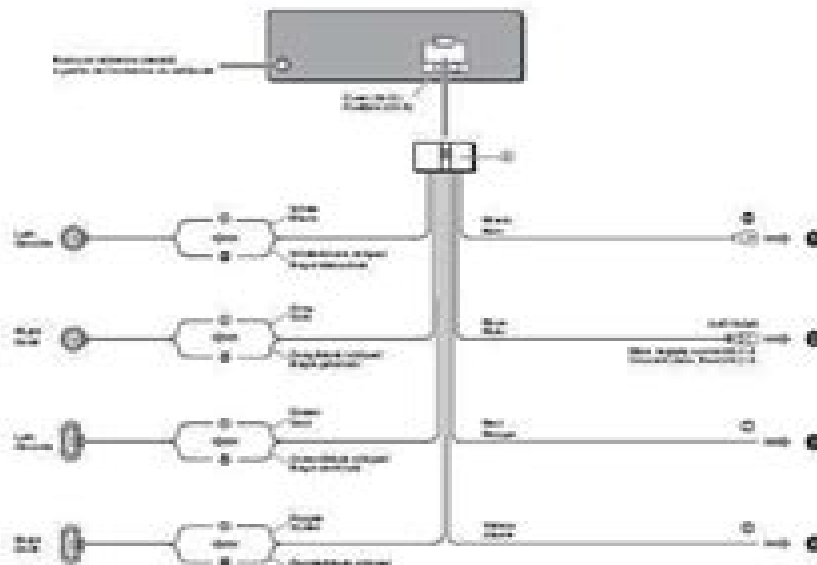
FM/AM Compact Disc Player

Installation/Connections
Installation/Connections

CDX-GT210
CDX-GT21W
CDX-GT110
CDX-GT11W

©2002 Sony Electronics Corporation

2



Caution

- Do not touch the disc while it is spinning.
- Do not touch the disc while it is spinning.
- Do not touch the disc while it is spinning.
- Do not touch the disc while it is spinning.
- Do not touch the disc while it is spinning.
- Do not touch the disc while it is spinning.
- Do not touch the disc while it is spinning.
- Do not touch the disc while it is spinning.

Remove the power supply from the car stereo. The power supply is not required for the CD player.

Preparation

- Remove the faceplate from the unit.
- Remove the screws that hold the faceplate in place.
- Remove the screws that hold the mounting bracket in place.
- Remove the mounting bracket from the unit.



Remove the power supply from the car stereo. The power supply is not required for the CD player.

Connection Diagram

- Connect the power supply to the car stereo.
- Connect the ground to the car stereo.
- Connect the antenna to the car stereo.
- Connect the auxiliary speaker to the car stereo.
- Connect the subwoofer to the car stereo.

Remove the power supply from the car stereo. The power supply is not required for the CD player.

Precautions

- Do not touch the disc while it is spinning.
- Do not touch the disc while it is spinning.
- Do not touch the disc while it is spinning.
- Do not touch the disc while it is spinning.
- Do not touch the disc while it is spinning.
- Do not touch the disc while it is spinning.
- Do not touch the disc while it is spinning.
- Do not touch the disc while it is spinning.

Antenna Installation

- Remove the antenna from the car stereo.
- Connect the antenna to the car stereo.
- Secure the antenna to the car stereo.

Antenna Installation

- Remove the antenna from the car stereo.
- Connect the antenna to the car stereo.
- Secure the antenna to the car stereo.

Remove the power supply from the car stereo. The power supply is not required for the CD player.

Sony Cdx Gt32w Wiring

Yicheng Fang



Sony Cdx Gt32w Wiring:

Decoding **Sony Cdx Gt32w Wiring**: Revealing the Captivating Potential of Verbal Expression

In a period characterized by interconnectedness and an insatiable thirst for knowledge, the captivating potential of verbal expression has emerged as a formidable force. Its ability to evoke sentiments, stimulate introspection, and incite profound transformations is genuinely awe-inspiring. Within the pages of "**Sony Cdx Gt32w Wiring**," a mesmerizing literary creation penned with a celebrated wordsmith, readers embark on an enlightening odyssey, unraveling the intricate significance of language and its enduring effect on our lives. In this appraisal, we shall explore the book's central themes, evaluate its distinctive writing style, and gauge its pervasive influence on the hearts and minds of its readership.

<https://movement.livewellcolorado.org/files/uploaded-files/fetch.php/Boeing%20777%20Manual.pdf>

Table of Contents Sony Cdx Gt32w Wiring

1. Understanding the eBook Sony Cdx Gt32w Wiring
 - The Rise of Digital Reading Sony Cdx Gt32w Wiring
 - Advantages of eBooks Over Traditional Books
2. Identifying Sony Cdx Gt32w Wiring
 - Exploring Different Genres
 - Considering Fiction vs. Non-Fiction
 - Determining Your Reading Goals
3. Choosing the Right eBook Platform
 - Popular eBook Platforms
 - Features to Look for in an Sony Cdx Gt32w Wiring
 - User-Friendly Interface
4. Exploring eBook Recommendations from Sony Cdx Gt32w Wiring
 - Personalized Recommendations
 - Sony Cdx Gt32w Wiring User Reviews and Ratings
 - Sony Cdx Gt32w Wiring and Bestseller Lists

5. Accessing Sony Cdx Gt32w Wiring Free and Paid eBooks
 - Sony Cdx Gt32w Wiring Public Domain eBooks
 - Sony Cdx Gt32w Wiring eBook Subscription Services
 - Sony Cdx Gt32w Wiring Budget-Friendly Options
6. Navigating Sony Cdx Gt32w Wiring eBook Formats
 - ePub, PDF, MOBI, and More
 - Sony Cdx Gt32w Wiring Compatibility with Devices
 - Sony Cdx Gt32w Wiring Enhanced eBook Features
7. Enhancing Your Reading Experience
 - Adjustable Fonts and Text Sizes of Sony Cdx Gt32w Wiring
 - Highlighting and Note-Taking Sony Cdx Gt32w Wiring
 - Interactive Elements Sony Cdx Gt32w Wiring
8. Staying Engaged with Sony Cdx Gt32w Wiring
 - Joining Online Reading Communities
 - Participating in Virtual Book Clubs
 - Following Authors and Publishers Sony Cdx Gt32w Wiring
9. Balancing eBooks and Physical Books Sony Cdx Gt32w Wiring
 - Benefits of a Digital Library
 - Creating a Diverse Reading Collection Sony Cdx Gt32w Wiring
10. Overcoming Reading Challenges
 - Dealing with Digital Eye Strain
 - Minimizing Distractions
 - Managing Screen Time
11. Cultivating a Reading Routine Sony Cdx Gt32w Wiring
 - Setting Reading Goals Sony Cdx Gt32w Wiring
 - Carving Out Dedicated Reading Time
12. Sourcing Reliable Information of Sony Cdx Gt32w Wiring
 - Fact-Checking eBook Content of Sony Cdx Gt32w Wiring
 - Distinguishing Credible Sources
13. Promoting Lifelong Learning

- Utilizing eBooks for Skill Development
 - Exploring Educational eBooks
14. Embracing eBook Trends
- Integration of Multimedia Elements
 - Interactive and Gamified eBooks

Sony Cdx Gt32w Wiring Introduction

In today's digital age, the availability of Sony Cdx Gt32w Wiring books and manuals for download has revolutionized the way we access information. Gone are the days of physically flipping through pages and carrying heavy textbooks or manuals. With just a few clicks, we can now access a wealth of knowledge from the comfort of our own homes or on the go. This article will explore the advantages of Sony Cdx Gt32w Wiring books and manuals for download, along with some popular platforms that offer these resources. One of the significant advantages of Sony Cdx Gt32w Wiring books and manuals for download is the cost-saving aspect. Traditional books and manuals can be costly, especially if you need to purchase several of them for educational or professional purposes. By accessing Sony Cdx Gt32w Wiring versions, you eliminate the need to spend money on physical copies. This not only saves you money but also reduces the environmental impact associated with book production and transportation. Furthermore, Sony Cdx Gt32w Wiring books and manuals for download are incredibly convenient. With just a computer or smartphone and an internet connection, you can access a vast library of resources on any subject imaginable. Whether you're a student looking for textbooks, a professional seeking industry-specific manuals, or someone interested in self-improvement, these digital resources provide an efficient and accessible means of acquiring knowledge. Moreover, PDF books and manuals offer a range of benefits compared to other digital formats. PDF files are designed to retain their formatting regardless of the device used to open them. This ensures that the content appears exactly as intended by the author, with no loss of formatting or missing graphics. Additionally, PDF files can be easily annotated, bookmarked, and searched for specific terms, making them highly practical for studying or referencing. When it comes to accessing Sony Cdx Gt32w Wiring books and manuals, several platforms offer an extensive collection of resources. One such platform is Project Gutenberg, a nonprofit organization that provides over 60,000 free eBooks. These books are primarily in the public domain, meaning they can be freely distributed and downloaded. Project Gutenberg offers a wide range of classic literature, making it an excellent resource for literature enthusiasts. Another popular platform for Sony Cdx Gt32w Wiring books and manuals is Open Library. Open Library is an initiative of the Internet Archive, a non-profit organization dedicated to digitizing cultural artifacts and making them accessible to the public. Open Library hosts millions of books, including both public domain works and contemporary titles. It also allows users to borrow digital copies of certain books for a limited

period, similar to a library lending system. Additionally, many universities and educational institutions have their own digital libraries that provide free access to PDF books and manuals. These libraries often offer academic texts, research papers, and technical manuals, making them invaluable resources for students and researchers. Some notable examples include MIT OpenCourseWare, which offers free access to course materials from the Massachusetts Institute of Technology, and the Digital Public Library of America, which provides a vast collection of digitized books and historical documents. In conclusion, Sony Cdx Gt32w Wiring books and manuals for download have transformed the way we access information. They provide a cost-effective and convenient means of acquiring knowledge, offering the ability to access a vast library of resources at our fingertips. With platforms like Project Gutenberg, Open Library, and various digital libraries offered by educational institutions, we have access to an ever-expanding collection of books and manuals. Whether for educational, professional, or personal purposes, these digital resources serve as valuable tools for continuous learning and self-improvement. So why not take advantage of the vast world of Sony Cdx Gt32w Wiring books and manuals for download and embark on your journey of knowledge?

FAQs About Sony Cdx Gt32w Wiring Books

What is a Sony Cdx Gt32w Wiring PDF? A PDF (Portable Document Format) is a file format developed by Adobe that preserves the layout and formatting of a document, regardless of the software, hardware, or operating system used to view or print it. **How do I create a Sony Cdx Gt32w Wiring PDF?** There are several ways to create a PDF: Use software like Adobe Acrobat, Microsoft Word, or Google Docs, which often have built-in PDF creation tools. Print to PDF: Many applications and operating systems have a "Print to PDF" option that allows you to save a document as a PDF file instead of printing it on paper. Online converters: There are various online tools that can convert different file types to PDF. **How do I edit a Sony Cdx Gt32w Wiring PDF?** Editing a PDF can be done with software like Adobe Acrobat, which allows direct editing of text, images, and other elements within the PDF. Some free tools, like PDFescape or Smallpdf, also offer basic editing capabilities. **How do I convert a Sony Cdx Gt32w Wiring PDF to another file format?** There are multiple ways to convert a PDF to another format: Use online converters like Smallpdf, Zamzar, or Adobe Acrobats export feature to convert PDFs to formats like Word, Excel, JPEG, etc. Software like Adobe Acrobat, Microsoft Word, or other PDF editors may have options to export or save PDFs in different formats. **How do I password-protect a Sony Cdx Gt32w Wiring PDF?** Most PDF editing software allows you to add password protection. In Adobe Acrobat, for instance, you can go to "File" -> "Properties" -> "Security" to set a password to restrict access or editing capabilities. Are there any free alternatives to Adobe Acrobat for working with PDFs? Yes, there are many free alternatives for working with PDFs, such as: LibreOffice: Offers

PDF editing features. PDFsam: Allows splitting, merging, and editing PDFs. Foxit Reader: Provides basic PDF viewing and editing capabilities. How do I compress a PDF file? You can use online tools like Smallpdf, ILovePDF, or desktop software like Adobe Acrobat to compress PDF files without significant quality loss. Compression reduces the file size, making it easier to share and download. Can I fill out forms in a PDF file? Yes, most PDF viewers/editors like Adobe Acrobat, Preview (on Mac), or various online tools allow you to fill out forms in PDF files by selecting text fields and entering information. Are there any restrictions when working with PDFs? Some PDFs might have restrictions set by their creator, such as password protection, editing restrictions, or print restrictions. Breaking these restrictions might require specific software or tools, which may or may not be legal depending on the circumstances and local laws.

Find Sony Cdx Gt32w Wiring :

boeing 777 manual

[oniria le royaume des recircves coeacutedition hachettehildegarde](#)

[improvement guide a practical approach to enhancing organizational performance](#)

[key of the mysteries](#)

manuale di elettrotecnica e automazione hoepli

where can i do community service

~~n2-chemical-engineering-intec-college~~

the diary of captain daniel roe

2nd semester biology final exam

manuale di diritto pubblico giovane

ingersoll 4018 manual

manuale di istruzioni fiat qubo

essentisl bible reference bible guide

[navidrive user manual](#)

x3 00 service manual

Sony Cdx Gt32w Wiring :

HEALTH PSYCHOLOGY; TENTH EDITION by SE Taylor · Cited by 4895 — Her research interests concern the psychological and social factors that promote or compromise mental and physical health across the life span. Professor Taylor. Health

Psychology: 8 Edition Shelley E. Taylor | PDF The Biopsychosocial Model in Health Psychology (cont). Clinical implications: - diagnosis should always consider biological, psychological and social factors in ... Health Psychology 8th edition Shelley E. Taylor Health Psychology Health Psychology: - exciting and relatively new field devoted to understanding psychological influences on how people stay healthy, ... Health Psychology: Shelley E. Taylor | PDF Health Psychology - Free download as PDF File (.pdf), Text File (.txt) or read online for free. Health Psychology. Health Psychology by Taylor, Shelley The eighth edition of Health Psychology highlights health issues that face the college student and his or her family through both accessible research ... Shelley Taylor Health Psychology 8th test bank by ji8uy Jul 27, 2020 — Download pdf Health Psychology 8th edition by Shelley Taylor test bank Full link: <https://bit.ly/30Id820>. Health Psychology 11th Edition Taylor TEST BANK Test Bank for Health Psychology, 11th Edition, Shelley Taylor, ISBN10: 1260253902, ISBN13: 9781260253900... HEALTH PSYCHOLOGY, NINTH EDITION SHELLEY E. TAYLOR is Distinguished Professor of Psychology at the University of California, Los Angeles. ... free from pain, disability, and lifestyle compromise ... Health Psychology, 8Th Edition: Shelley E. Taylor This book is excellently written. Health psychology is one of the more medically related sectors of psychology, and for many psychology students this might ... Health psychology | WorldCat.org "The eighth edition of Health Psychology highlights health issues that face the college student and his or her family through both accessible research ... Ford Windstar (1995 - 2003) - Haynes Manuals Detailed repair guides and DIY insights for 1995-2003 Ford Windstar's maintenance with a Haynes manual. Repair Manuals & Literature for Ford Windstar Get the best deals on Repair Manuals & Literature for Ford Windstar when you shop the largest online selection at eBay.com. Free shipping on many items ... Ford Windstar Repair Manual - Vehicle Order Ford Windstar Repair Manual - Vehicle online today. Free Same Day Store Pickup. Check out free battery charging and engine diagnostic testing while ... '95-'07 Windstar Service Manual pdf | Ford Automobiles Jan 12, 2013 — I came across a Haynes service manual for the Ford Windstar the other day. I just put it on a file host site so if anyone needs it, ... Ford Windstar 1995-98 (Chilton's Total Car Care Repair ... Included in every manual: troubleshooting section to help identify specific problems; tips that give valuable short cuts to make the job easier and eliminate ... Ford Windstar Automotive Repair Manual: Models Covered Documenting the process in hundreds of illustrations and dear step-by-step instructions makes every expert tip easy to follow. From simple maintenance to ... Ford Windstar Repair Manual Online Getting the repair info you need has never been easier. With your online Ford Windstar repair manual from RepairSurge, you can view the information on your ... Ford Windstar, 1995-2001 (Hayne's Automotive... by Chilton Total Car Care is the most complete, step-by-step automotive repair manual you'll ever use. All repair procedures are supported by detailed specifications, ... Haynes Repair Manuals Ford Windstar, 95-07 | 8949938 Includes: Step-by-step procedures. Easy-to-follow photographs. Based on a complete teardown and rebuild. Ford Windstar Manuals Get Your Ford Windstar Manuals from AutoZone.com. We provide the right products at the right prices. Integrated Food Safety and Veterinary Public Health

Integrated Food Safety and Veterinary Public Health. 1st Edition. ISBN-13: 978 ... Paperback, 416 pages. ISBN-10, 9780851999081. ISBN-13, 978-0851999081. Item ... Integrated food safety and veterinary public health This textbook covers an integrated approach to this type of food production, hygiene and safety and shows how it results in concurrent benefits to animal well ... Integrated Food Safety and Veterinary ... - Stylus Publishing This textbook covers an integrated approach to this type of food production, hygiene and safety and shows how it results in concurrent benefits to animal well ... INTEGRATED FOOD SAFETY AND VETERINARY PUBLIC ... by S Buncic · Cited by 103 — A catalogue record for this book is available from the British Library,. London, UK. Library of Congress Cataloging-in-Publication Data. Buncic, Sava. Integrated Food Safety and Veterinary Public Health ... This textbook covers an integrated approach to this type of food production, hygiene and safety and shows how it results in concurrent benefits to animal well ... Integrated Food Safety and Veterinary Public Health This textbook covers an integrated approach to this type of food production, hygiene and safety and shows how it results in concurrent benefits to animal well ... Integrated Food Safety and Veterinary Public Health Apr 19, 2018 — This book will be of significant interest to students of veterinary medicine, animal science, environmental health and food science and ... Integrated Food Safety and Veterinary Public Health ... This textbook covers an integrated approach to this type of food production, hygiene and safety and shows how it results in concurrent benefits to animal well ... Integrated Food Safety and Veterinary Public Health This textbook covers an integrated approach to this type of food production, hygiene and safety and shows how it results in concurrent benefits to animal well ... Integrated Food Safety and Veterinary Public Health Integrated Food Safety and Veterinary Public Health · Selected pages · Contents · Other editions - View all · Common terms and phrases · Bibliographic information ...