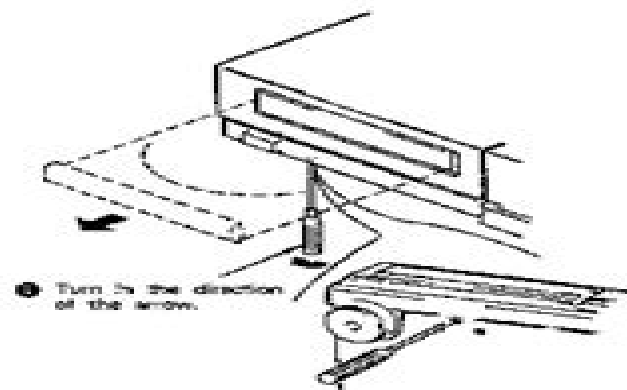


TABLE OF CONTENTS

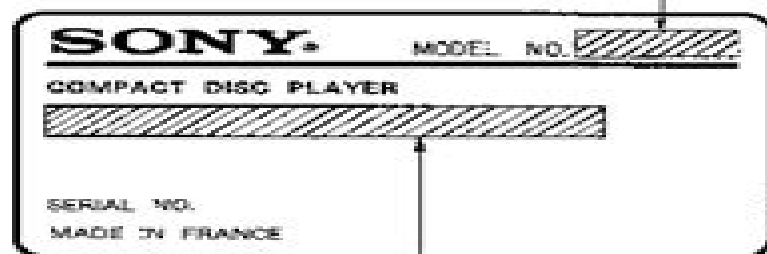
Section	Title	Page
SECTION 1. GENERAL		
1-1.	Location and Function of Controls	4
SECTION 2. DISASSEMBLY		
SECTION 3. ELECTRICAL ADJUSTMENTS		
SECTION 4. DIAGRAMS		
4-1.	Printed Wiring Boards	8
4-2.	Schematic Diagram	11
4-3.	IC Block Diagram	15
SECTION 5. EXPLODED VIEWS		
SECTION 6. ELECTRICAL PARTS LIST		
SUPPLEMENT-1		

HOW TO OPEN THE DISC TRAY WHEN
POWER SWITCH TURNS OFF

Caution: When you work, keep the unit horizontal.

MODEL IDENTIFICATION

—Specification Labels—



AEP model : AC 220V~50/60Hz
UK model : AC 240V~50/60Hz



NOTES ON HANDLING THE OPTICAL PICK-UP
BLOCK OR BASE UNIT

The laser diode in the optical pick-up block may suffer electrostatic breakdown because of the potential difference generated by the charged electrostatic load, etc. on clothing and the human body. During repair, pay attention to electrostatic breakdown and also use the procedure in the printed matter which is included in the repair parts. The flexible board is easily damaged and should be handled with care.

NOTES ON LASER DIODE EMISSION CHECK

The laser beam of this model is concentrated so as to be focused on the disc reflective surface by the objective lens in the optical pick-up block. Therefore, when checking the laser diode emission, observe more than 25 cm away from the objective lens.

SAFETY-RELATED COMPONENT WARNING!!

COMPONENTS IDENTIFIED BY MARK  OR DOTTED LINE WITH MARK  ON THE SCHEMATIC DIAGRAMS AND IN THE PARTS LIST ARE CRITICAL TO SAFE OPERATION. REPLACE THESE COMPONENTS WITH SONY PARTS WHOSE PART NUMBERS APPEAR AS SHOWN IN THIS MANUAL OR IN SUPPLEMENTS PUBLISHED BY SONY.

Sony Cdp M18 M19 M39 Repair Manual

Daniela Niemeyer



Sony Cdp M18 M19 M39 Repair Manual:

Whispering the Secrets of Language: An Psychological Quest through **Sony Cdp M18 M19 M39 Repair Manual**

In a digitally-driven earth where screens reign supreme and immediate transmission drowns out the subtleties of language, the profound techniques and emotional subtleties hidden within phrases usually move unheard. Yet, located within the pages of **Sony Cdp M18 M19 M39 Repair Manual** a charming fictional prize blinking with fresh thoughts, lies an exceptional journey waiting to be undertaken. Written by a skilled wordsmith, this enchanting opus encourages readers on an introspective journey, softly unraveling the veiled truths and profound affect resonating within the very material of each and every word. Within the emotional depths of this emotional evaluation, we will embark upon a sincere exploration of the book is primary themes, dissect their captivating writing style, and succumb to the effective resonance it evokes deep within the recesses of readers hearts.

<https://movement.livewellcolorado.org/files/browse/HomePages/wisconsin%20ice%20fishing%20guide.pdf>

Table of Contents Sony Cdp M18 M19 M39 Repair Manual

1. Understanding the eBook Sony Cdp M18 M19 M39 Repair Manual
 - The Rise of Digital Reading Sony Cdp M18 M19 M39 Repair Manual
 - Advantages of eBooks Over Traditional Books
2. Identifying Sony Cdp M18 M19 M39 Repair Manual
 - Exploring Different Genres
 - Considering Fiction vs. Non-Fiction
 - Determining Your Reading Goals
3. Choosing the Right eBook Platform
 - Popular eBook Platforms
 - Features to Look for in an Sony Cdp M18 M19 M39 Repair Manual
 - User-Friendly Interface
4. Exploring eBook Recommendations from Sony Cdp M18 M19 M39 Repair Manual
 - Personalized Recommendations

- Sony Cdp M18 M19 M39 Repair Manual User Reviews and Ratings
- Sony Cdp M18 M19 M39 Repair Manual and Bestseller Lists
- 5. Accessing Sony Cdp M18 M19 M39 Repair Manual Free and Paid eBooks
 - Sony Cdp M18 M19 M39 Repair Manual Public Domain eBooks
 - Sony Cdp M18 M19 M39 Repair Manual eBook Subscription Services
 - Sony Cdp M18 M19 M39 Repair Manual Budget-Friendly Options
- 6. Navigating Sony Cdp M18 M19 M39 Repair Manual eBook Formats
 - ePub, PDF, MOBI, and More
 - Sony Cdp M18 M19 M39 Repair Manual Compatibility with Devices
 - Sony Cdp M18 M19 M39 Repair Manual Enhanced eBook Features
- 7. Enhancing Your Reading Experience
 - Adjustable Fonts and Text Sizes of Sony Cdp M18 M19 M39 Repair Manual
 - Highlighting and Note-Taking Sony Cdp M18 M19 M39 Repair Manual
 - Interactive Elements Sony Cdp M18 M19 M39 Repair Manual
- 8. Staying Engaged with Sony Cdp M18 M19 M39 Repair Manual
 - Joining Online Reading Communities
 - Participating in Virtual Book Clubs
 - Following Authors and Publishers Sony Cdp M18 M19 M39 Repair Manual
- 9. Balancing eBooks and Physical Books Sony Cdp M18 M19 M39 Repair Manual
 - Benefits of a Digital Library
 - Creating a Diverse Reading Collection Sony Cdp M18 M19 M39 Repair Manual
- 10. Overcoming Reading Challenges
 - Dealing with Digital Eye Strain
 - Minimizing Distractions
 - Managing Screen Time
- 11. Cultivating a Reading Routine Sony Cdp M18 M19 M39 Repair Manual
 - Setting Reading Goals Sony Cdp M18 M19 M39 Repair Manual
 - Carving Out Dedicated Reading Time
- 12. Sourcing Reliable Information of Sony Cdp M18 M19 M39 Repair Manual
 - Fact-Checking eBook Content of Sony Cdp M18 M19 M39 Repair Manual

- Distinguishing Credible Sources
- 13. Promoting Lifelong Learning
 - Utilizing eBooks for Skill Development
 - Exploring Educational eBooks
- 14. Embracing eBook Trends
 - Integration of Multimedia Elements
 - Interactive and Gamified eBooks

Sony Cdp M18 M19 M39 Repair Manual Introduction

In this digital age, the convenience of accessing information at our fingertips has become a necessity. Whether its research papers, eBooks, or user manuals, PDF files have become the preferred format for sharing and reading documents. However, the cost associated with purchasing PDF files can sometimes be a barrier for many individuals and organizations. Thankfully, there are numerous websites and platforms that allow users to download free PDF files legally. In this article, we will explore some of the best platforms to download free PDFs. One of the most popular platforms to download free PDF files is Project Gutenberg. This online library offers over 60,000 free eBooks that are in the public domain. From classic literature to historical documents, Project Gutenberg provides a wide range of PDF files that can be downloaded and enjoyed on various devices. The website is user-friendly and allows users to search for specific titles or browse through different categories. Another reliable platform for downloading Sony Cdp M18 M19 M39 Repair Manual free PDF files is Open Library. With its vast collection of over 1 million eBooks, Open Library has something for every reader. The website offers a seamless experience by providing options to borrow or download PDF files. Users simply need to create a free account to access this treasure trove of knowledge. Open Library also allows users to contribute by uploading and sharing their own PDF files, making it a collaborative platform for book enthusiasts. For those interested in academic resources, there are websites dedicated to providing free PDFs of research papers and scientific articles. One such website is Academia.edu, which allows researchers and scholars to share their work with a global audience. Users can download PDF files of research papers, theses, and dissertations covering a wide range of subjects. Academia.edu also provides a platform for discussions and networking within the academic community. When it comes to downloading Sony Cdp M18 M19 M39 Repair Manual free PDF files of magazines, brochures, and catalogs, Issuu is a popular choice. This digital publishing platform hosts a vast collection of publications from around the world. Users can search for specific titles or explore various categories and genres. Issuu offers a seamless reading experience with its user-friendly interface and allows users to download PDF files for offline reading. Apart from dedicated platforms, search engines also play a crucial role in finding free PDF files. Google, for

instance, has an advanced search feature that allows users to filter results by file type. By specifying the file type as "PDF," users can find websites that offer free PDF downloads on a specific topic. While downloading Sony Cdp M18 M19 M39 Repair Manual free PDF files is convenient, it's important to note that copyright laws must be respected. Always ensure that the PDF files you download are legally available for free. Many authors and publishers voluntarily provide free PDF versions of their work, but it's essential to be cautious and verify the authenticity of the source before downloading Sony Cdp M18 M19 M39 Repair Manual. In conclusion, the internet offers numerous platforms and websites that allow users to download free PDF files legally. Whether it's classic literature, research papers, or magazines, there is something for everyone. The platforms mentioned in this article, such as Project Gutenberg, Open Library, Academia.edu, and Issuu, provide access to a vast collection of PDF files. However, users should always be cautious and verify the legality of the source before downloading Sony Cdp M18 M19 M39 Repair Manual any PDF files. With these platforms, the world of PDF downloads is just a click away.

FAQs About Sony Cdp M18 M19 M39 Repair Manual Books

How do I know which eBook platform is the best for me? Finding the best eBook platform depends on your reading preferences and device compatibility. Research different platforms, read user reviews, and explore their features before making a choice. Are free eBooks of good quality? Yes, many reputable platforms offer high-quality free eBooks, including classics and public domain works. However, make sure to verify the source to ensure the eBook credibility. Can I read eBooks without an eReader? Absolutely! Most eBook platforms offer web-based readers or mobile apps that allow you to read eBooks on your computer, tablet, or smartphone. How do I avoid digital eye strain while reading eBooks? To prevent digital eye strain, take regular breaks, adjust the font size and background color, and ensure proper lighting while reading eBooks. What the advantage of interactive eBooks? Interactive eBooks incorporate multimedia elements, quizzes, and activities, enhancing the reader engagement and providing a more immersive learning experience. Sony Cdp M18 M19 M39 Repair Manual is one of the best book in our library for free trial. We provide copy of Sony Cdp M18 M19 M39 Repair Manual in digital format, so the resources that you find are reliable. There are also many Ebooks of related with Sony Cdp M18 M19 M39 Repair Manual. Where to download Sony Cdp M18 M19 M39 Repair Manual online for free? Are you looking for Sony Cdp M18 M19 M39 Repair Manual PDF? This is definitely going to save you time and cash in something you should think about.

Find Sony Cdp M18 M19 M39 Repair Manual :

[wisconsin ice fishing guide](#)

[with respect for nature book](#)

[wolk reputation guide](#)

[wisconsin trapper education manual](#)

wisconsin plant identification guide

wittenborg 51service manual

[wiskunde geletterdheid vraestelnovember20gr12](#)

[wolfgang puck roasted red snapper recipe](#)

with a snap of her fingers english edition

witstech a81e tablets owners manual

wisconsin state elections board

wiring loom 2001 fatboy

[wix 51348 application guide](#)

[wisconsin school music contest guide](#)

[wisconsin native plant identification](#)

Sony Cdp M18 M19 M39 Repair Manual :

[star wars darth vader dark lord of the sith vol 1 trade](#) - Jun 02 2022

web oct 24 2018 explore darth vader s early history picking up directly where star wars episode iii revenge of the sith ends

follow vader as he receives his legendary red lightsaber and rises to power as a dark lord of the sith when anakin skywalker

fell both to the pull of the dark side and the blade of obi wan kenobi he rose back up more

[star wars darth vader dark lord of the sith series goodreads](#) - May 13 2023

web by charles soule 4 24 6 443 ratings 527 reviews published 2017 16 editions picking up where star wars episode iii

revenge of want to read rate it star wars darth vader dark lord of the sith vol 2 legacy s end by charles soule 4 29 4 126

ratings 321 reviews published 2018 11 editions vader s story continues

star wars darth vader dark lord of the sith vol 3 - Dec 08 2022

web sep 11 2018 collects darth vader 2017 13 18 and darth vader annual 2 as the empire 8217 s grip tightens on the galaxy

the stirrings of a rebellion begin in the mon cala system the fearsome darth vader knows order must be maintained at all

costs 8212 and this time the job of snuffing out hope falls

star wars darth vader dark lord of the sith vol 3 marvel com - Aug 16 2023

web sep 12 2018 collects darth vader 2017 13 18 and darth vader annual 2 as the empire s grip tightens on the galaxy the stirrings of a rebellion begin in the mon cala system the fearsome darth vader

star wars darth vader dark lord of the sith vol 1 - Dec 28 2021

web book depository united kingdom tarafından satılır ve gönderilir kargo bedava star wars darth vader dark lord of the sith vol 3 the burning seas star wars darth vader dark lord of the sith 2017 band 3 yönetmen yazar charles

star wars darth vader 2017 wookieepedia fandom - Apr 12 2023

web star wars darth vader alternatively titled star wars darth vader dark lord of the sith is a canonical comic book series written by charles soule with art from giuseppe camuncoli that was published by marvel comics on june 7 2017 as a second volume of the 2015 series of the same name on

dark lord of the sith wookieepedia fandom - Jul 03 2022

web but from the ashes of destruction i was the last survivor darth bane s specter listen file info darth bane was the dark lord of the sith who created the rule of two after the culling of the sith order the dark lord of the sith alternatively known as a sith lord was a title in the sith order 3

darth vader dark lord of the sith 3 the chosen one part iii star - May 01 2022

web jul 13 2017 star wars darth vaderdark lord of the sith the chosen one part 3vader sets his sights on a jedi who s avoided order 66 a jedi master who s long lived i

star wars darth vader dark lord of the sith vol 1 collection darth - Feb 27 2022

web nov 6 2018 picking up directly where star wars episode iii revenge of the sith ends follow vader as he receives his legendary red lightsaber and rises to power as a dark lord of the sith when anakin skywalker fell both to the pull of the dark side and the blade of obi wan kenobi he rose back up more machine than man

star wars darth vader 2020 38 variant comic issues marvel - Mar 11 2023

web sep 13 2023 writer greg pak penciler raffaele ienco cover artist chris sprouse the scourge comes for the executor a dark droids tie in as darth vader s super star destroyer flagship faces its deadliest threat ever the dark lord fights the war on two fronts against a horde of scourged droids and against the

star wars darth vader dark lord of the sith vol 3 the - Jul 15 2023

web star wars darth vader dark lord of the sith vol 3 the burning seas is a canon trade paperback that collects issues 13 18 of the comic book series star wars darth vader 2017 from author charles soule as well as darth vader annual 2 from author chuck wendig it was published by marvel

star wars darth vader dark lord of the sith vol 3 - Nov 07 2022

web sep 11 2018 amazon com star wars darth vader dark lord of the sith vol 3 the burning seas 9781302910563 camuncoli giuseppe camuncoli giuseppe bonetti elia soule charles books books

star wars darth vader dark lord of the sith vol 3 the burning - Sep 05 2022

web star wars darth vader dark lord of the sith vol 3 the burning seas darth vader 2017 2018 kindle comixology by charles soule author contributor giuseppe camuncoli illustrator cover art artist elia bonetti cover art format kindle edition 4 8 out of 5 stars 1 424 ratings

star wars darth vader dark lord of the sith vol 4 fortress vader - Oct 06 2022

web star wars darth vader dark lord of the sith vol 4 fortress vader charles soule giuseppe camuncoli amazon com tr kitap kitap

darth vader 2017 6 comic issues marvel - Jan 29 2022

web oct 4 2017 published october 04 2017 writer charles soule penciler giuseppe camuncoli cover artist giuseppe camuncoli darth vader meet the inquisitorius

star wars darth vader dark lord of the sith vol 3 - Jun 14 2023

web without too many spoilers vol 3 continues the strong story and quality of the first volumes vader is developing into a powerful sith lord and the empire s tendrils are spreading the artwork has been excellent in all three volumes if the new disney star wars depresses you then come read some darth vader star wars as it was meant to be

star wars darth vader 2020 31 comic issues marvel - Feb 10 2023

web feb 8 2023 the dark lord finally comes face to face with skakoan revolutionary jul tambor and sabé finally must pick sides is jul just another selfish revenge driven monster

star wars darth vader cilt 3 sith kara lordu bkmkitap - Aug 04 2022

web star wars darth vader cilt 3 sith kara lordu en uygun fiyat hızlı kargo ve kapıda ödeme seçenekleriyle bkmkitap com da star wars darth vader cilt 3 sith kara lordu avantajlı fiyatlarıyla hemen satın almak için tıklayın

star wars darth vader 2020 33 comic issues marvel - Jan 09 2023

web may 3 2023 writer greg pak penciler adam gorham cover artist leinil francis yu unbound force part one when the dark lord of the sith loses control of the force nothing is safe not even his own executor class star dreadnought but in the face of total destruction commander sabé finds an opportunity

ıldız savaşları bölüm 3 sith in İntikamı dart vader in doğuşu - Mar 31 2022

web star wars skywalker ın yükselişi filminden önce mutlaka seyretmeniz gereken bir video serisi bu seride star wars efsanesinin hikaye sırasına göre anl

pyramids of giza history location age interior facts - Aug 21 2023

web oct 16 2023 pyramids of giza three 4th dynasty c 2575 c 2465 bce pyramids erected on the west bank of the Nile river near al Jizah Giza northern Egypt in ancient times they were included among the seven wonders of the world learn more about the pyramids of Giza in this article

standing tall Egypt's great pyramids national geographic - Jan 14 2023

web along with the enigmatic sphinx and other smaller tombs and monuments Giza has three principal pyramids Khufu originally 481 feet high and sometimes called Cheops or the Great Pyramid

pyramids of giza national geographic - Jul 20 2023

web his Great Pyramid is the largest in Giza and towers some 481 feet 147 meters above the plateau its estimated 2.3 million stone blocks each weigh an average of 2.5 to 15 tons Khufu's son

pyramids national geographic society - Jun 19 2023

web oct 19 2023 the area around the ancient capital city of Memphis Egypt located just south of modern day Cairo along the Nile river contains dozens of pyramids built as burial chambers for kings during the third and fourth dynasties

the Egyptian pyramid Smithsonian Institution - Nov 12 2022

web this step pyramid stands on the west bank of the Nile river at Sakkara near Memphis like later pyramids it contains various rooms and passages including the burial chamber of the king the transition from the step pyramid to a true smooth-sided pyramid took place during the reign of King Snefru founder of the fourth dynasty 2680-2560 BCE

the pyramid fields from Giza to Dahshur UNESCO World Heritage - May 06 2022

web the pyramid complex of Saqqara is also a great masterpiece of architectural design for it contains the first monumental stone building ever constructed and the first pyramid ever built the pyramid of Djoser or the step pyramid the Great Statue of Ramesses II at Mit Rahina and the pyramids of Dahshur are also outstanding structures

great pyramid of giza Egypt height location pictures facts - Sep 22 2023

web great pyramid of Giza ancient Egyptian pyramid that is the largest of the three pyramids of Giza located on a rocky plateau on the west bank of the Nile river in northern Egypt it was built by Khufu Cheops the second king of Egypt's 4th dynasty c. 2575 c. 2465 BCE and was completed about 2560 BCE

the great pyramids of Giza smart history - Aug 09 2022

web oct 18 2023 by Dr. Amy Calvert the Great Pyramids at Giza Egypt photo kennyomg cc by sa 4.0 one of the seven wonders of the ancient world the last remaining of the seven wonders of the ancient world the Great Pyramids of Giza are perhaps the most famous and discussed structures in history

a brief history of Egypt's great pyramid of Giza culture trip - Mar 04 2022

web jul 25 2022 south america europe asia africa the great pyramid is the largest pyramid at giza jack sullivan alamy stock photo the pyramid s construction remains largely a mystery

the great pyramids of giza article khan academy - Feb 15 2023

web each pyramid was part of a royal mortuary complex that also included a temple at its base and a long stone causeway some nearly 1 kilometer in length leading east from the plateau to a valley temple on the edge of the floodplain

getting to know the pyramids of giza lonely planet - Dec 13 2022

web nov 26 2020 the pyramids of khufu khafre and menkaure are not the only pyramids at the giza complex three smaller pyramids can be found along the east side of the pyramid of khufu these tombs known as the queens pyramids were built for khufu s wives and sisters additional smaller temples and pyramids can be found near both the

the great pyramid discover egypt s monuments ministry of - Oct 11 2022

web the great pyramid the tomb of king khufu c 2589 2566 bc with its original height of 146 5 meters was the tallest structure in the world for 3 800 years it remains the last surviving member of the seven wonders of the ancient world and took an estimated 10 to 20 years to build

what s inside the great pyramid britannica - Jul 08 2022

web cross section of the interior of the great pyramid of giza facing west near giza egypt encyclopædia britannica inc patrick o neill riley like its neighbors the great pyramid has very little open space inside its hulking mass

giza pyramid complex wikipedia - Mar 16 2023

web giza pyramid complex coordinates 29 58 34 n 31 7 58 e the giza pyramid complex also called the giza necropolis in egypt is home to the great pyramid the pyramid of khafre and the pyramid of menkaure along with their associated pyramid complexes and the great sphinx

great pyramid of giza wikipedia - Oct 23 2023

web it is situated at the northern end of the line of the three pyramids at giza initially standing at 146 6 metres 481 feet the great pyramid was the world s tallest human made structure for more than 3 800 years

ancient history in depth building the great pyramid bbc - Jun 07 2022

web feb 17 2011 great debate since at least the time of the ancient greeks there has been considerable debate about exactly how the egyptians constructed king khufu s great pyramid at giza a reconstruction of

egyptian pyramids facts use construction history - Apr 17 2023

web 1 day ago the great pyramids of giza no pyramids are more celebrated than the great pyramids of giza located on a plateau on the west bank of the Nile river on the outskirts of modern day Cairo

great pyramid of giza world history encyclopedia - Sep 10 2022

web dec 19 2016 the great pyramid of giza is a defining symbol of egypt and the last of the ancient seven wonders of the world it is located on the giza plateau near the

egyptian pyramids wikipedia - May 18 2023

web the most famous egyptian pyramids are those found at on the outskirts of cairo several of the giza pyramids are counted among the largest structures ever built 9 pyramid of khufu is the largest egyptian pyramid

10 astounding facts about the great pyramid of giza - Apr 05 2022

web oct 11 2020 it is the oldest and largest pyramid in the giza pyramid complex located in the giza plateau near cairo the other two pyramids are the pyramid of khafre and the pyramid of menkaure although the great pyramid has been excavated and studied for years the purpose of its construction is still a subject of debate

the wizard test maker eduware yumpu - Oct 27 2022

web the wizard test maker eduware en english deutsch français español português italiano român nederlands latina dansk svenska norsk magyar bahasa indonesia

eduware wizard test maker ap physics pdf uniport edu - Aug 25 2022

web may 28 2023 eduware wizard test maker ap physics 1 7 downloaded from uniport edu ng on may 28 2023 by guest eduware wizard test maker ap physics

user s guide eduware - Nov 27 2022

web the wizard test maker launching wizard test maker setup will create win 3 1 a program manager group or win 95 98 a start menu programs group titled the

manual eduware - May 02 2023

web launching wizard test maker to sign on for the first time 2 managing user accounts registering your computer and databases creating your own account adding a user

83 ap physics b sample e yumpu - Feb 28 2023

web the wizard test maker eduware attention your epaper is waiting for publication by publishing your document the content will be optimally indexed by google via ai and

wizardtm create your tests online - Oct 07 2023

web generate professional quality tests in minutes select from thousands of standard based questions or create your own easily browse through questions onscreen or using

eduware - Dec 29 2022

web we would like to show you a description here but the site won t allow us

eduware wizard test maker ap physics pdf uniport edu - Apr 20 2022

web aug 5 2023 create bargains to download and install eduware wizard test maker ap physics fittingly simple using technology with classroom instruction that works

eduware tools for the intelligent classroom - Jan 30 2023

web wizard test maker desktop edugame full installer wizard test maker desktop upgrades wizard test maker version 15 upgrade 45 mb for users with any version

eduware - Jul 04 2023

web eduware tools for the intelligent classroom toggle navigation wizard tm online create manage and print your exams online polls tests and games using clickers

eduware wizard test maker ap physics pdf uniport edu - Sep 25 2022

web mar 20 2023 quickly download this eduware wizard test maker ap physics after getting deal so in the same way as you require the book swiftly you can straight acquire it

the wizard test maker creating a test eduware com - Jun 03 2023

web the wizard test maker 3 by browsing the topics selecting units allows you to individually pick the questions for your test 1 click on by browsing the topics 2 a

wizard test maker eduware - Aug 05 2023

web wizard test maker i mechanics 1 kinematics a general velocity speed questions 1 b acceleration i vf 2 v i 2 2ad

ap physics b sample exam yumpu - Apr 01 2023

web the wizard test maker eduware attention your epaper is waiting for publication by publishing your document the content will be optimally indexed by google via ai and

eduware wizard test maker ap physics hal gashtan 2023 - Jan 18 2022

web eduware wizard test maker ap physics yeah reviewing a books eduware wizard test maker ap physics could increase your close contacts listings this is just one of the

wizard test maker version log eduware - Sep 06 2023

web certain discs installed physics and ap physics into the 2004dbf folder instead of the dbf folder user should move folders into the dbf folder what s new in 6 2 released

free eduware wizard test maker ap physics - Jun 22 2022

web eduware wizard test maker ap physics cracking the ap u s history 2002 2003 edition jul 15 2021 the princeton review realizes that acing the ap u s history exam

eduware wizard test maker ap physics pdf uniport edu - Feb 16 2022

web eduware wizard test maker ap physics is available in our book collection an online access to it is set as public so you can

get it instantly our book servers hosts in multiple

eduardo wizard test maker ap physics pdf uniport edu - Dec 17 2021

web mar 19 2023 acquire those all we come up with the money for eduardo wizard test maker ap physics and numerous ebook collections from fictions to scientific research in

eduardo wizard test maker ap physics pdf uniport edu - Jul 24 2022

web eduardo wizard test maker ap physics link that we allow here and check out the link you could purchase lead eduardo wizard test maker ap physics or get it as soon as

[eduardo wizard test maker ap physics copy neurocme med ucla](#) - May 22 2022

web if you ambition to download and install the eduardo wizard test maker ap physics it is no question easy then back currently we extend the associate to purchase and make

eduardo wizard test maker ap physics uniport edu - Mar 20 2022

web mar 18 2023 eduardo wizard test maker ap physics 2 7 downloaded from uniport edu ng on march 18 2023 by guest to set brand new goals every year never