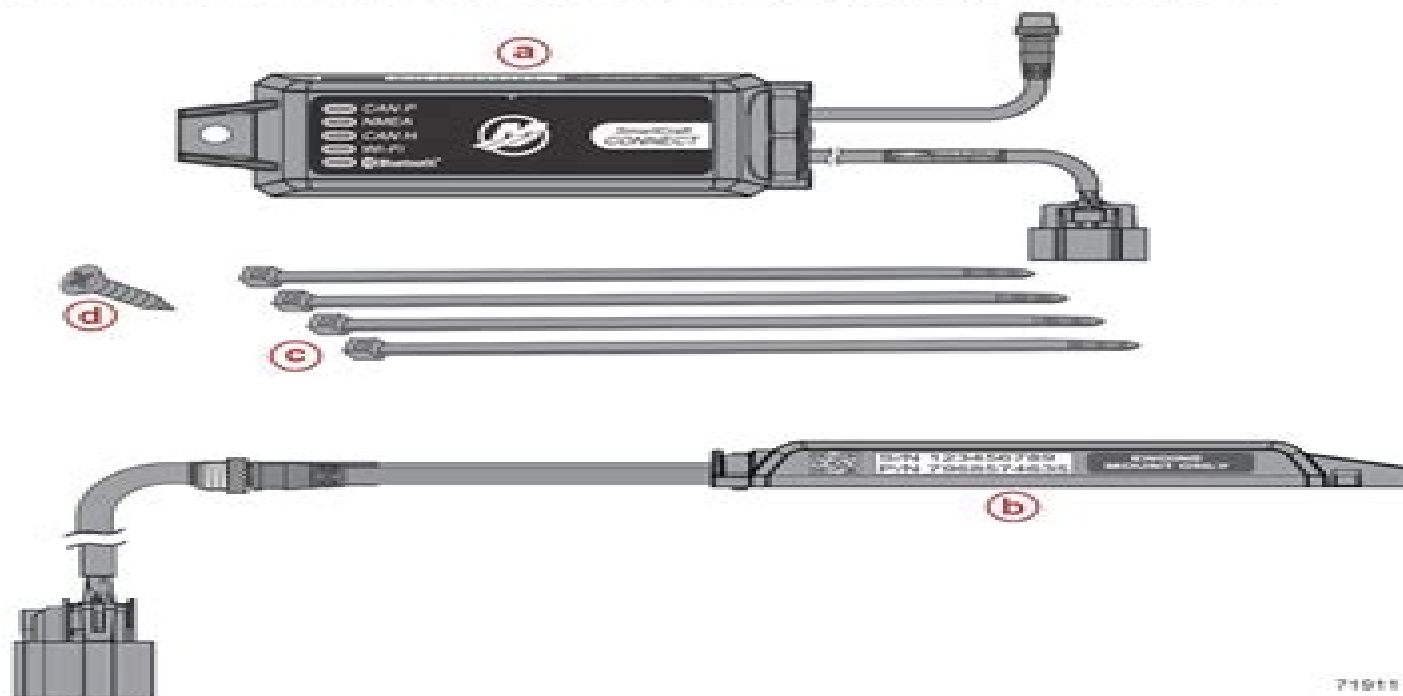


# SMARTCRAFT CONNECT GATEWAY INSTALLATION MANUAL

**IMPORTANT:** This document guides our dealers, boatbuilders, and company service personnel in the proper installation or service of our products. If you have not been trained in the recommended servicing or installation procedures for these or similar Mercury Marine products, have the work performed by an authorized Mercury Marine dealer technician. Improper installation or servicing of the Mercury product could result in damage to the product or personal injury to those installing or operating the product.

## Components in Kit

**NOTE:** The termination band on the 10-pin connector cable only applies to engine mounted modules.



71911

- a - SmartCraft CONNECT module
- b - SmartCraft CONNECT module - side view
- c - Cable ties - 4
- d - #10 x .88" stainless steel wood screw

## Features

The CAN P, CAN H, and NMEA lights will turn on when data is being transmitted through the Gateway.

**NOTE:** This manual covers the installation of CAN P only - engine mounted module (single). The helm mount module will default out of the box with CAN P and CAN H. CAN H is applicable to Dual, Triple, and Quad DTS engine applications. CAN H must be turned off if encountering issues with analog tachometers on mechanical/non-DTS products.

# Smartcraft Manual Installation

**Pasquale De Marco**



## Smartcraft Manual Installation:

Seloc Mercury/Mariner Outboards, 1990-00 Repair Manual Scott A. Freeman,1900      MotorBoating ,2003-07      **The Model Shipbuilder's Manual of Fittings and Guns** Arthur Percival Isard,1939      *Grounding Creative Entrepreneurship: Model SmartCraft Packs untuk Hilirisasi Produk Seni dan Teknologi* Iriaji ,Yuliati,Roekhan ,Eka Putri Surya ,Adinda Marcelliantika ,Alby Aruna ,2025-07-17 SmartCraft Packs menghadirkan perspektif segar tentang perpaduan antara seni teknologi dan kewirausahaan dalam menciptakan produk kreatif bernilai tinggi Buku ini mengupas bagaimana inovasi digital dan teknologi canggih dapat diintegrasikan ke dalam proses produksi seni kriya membuka peluang baru bagi pelaku usaha kreatif untuk berkembang secara kompetitif dan berkelanjutan Menggali berbagai konsep dan praktik terkini buku ini menawarkan panduan praktis tentang desain produk penggunaan teknologi digital seperti IoT AI dan platform e commerce serta strategi pemasaran yang efektif untuk menjangkau pasar global Melalui studi kasus dan pengalaman nyata pembaca diajak memahami bagaimana mengelola bisnis kreatif yang menggabungkan nilai estetika dengan teknologi mutakhir Selain aspek teknis SmartCraft Packs menekankan pentingnya membangun ekosistem kewirausahaan yang mendukung kolaborasi inovasi dan keberlanjutan di industri seni dan kerajinan Buku ini cocok bagi seniman desainer pengusaha kreatif serta akademisi yang ingin mengeksplorasi potensi teknologi untuk memperkuat daya saing dan menciptakan dampak ekonomi positif

*The Cruiser's Manual* Carl D. Lane,1949      **MotorBoating** ,2005-03      *Boating* ,2008-01      *Robert D. Fisher Manual of Valuable and Worthless Securities* ,1944      **MotorBoating** ,2002-11      Robert D. Fisher Manual of Valuable and Worthless Securities Robert Denton Fisher,1946      MotorBoating ,2004-01      The Ardent Mariner: Mastering the Mercury Seas Pasquale De Marco,2025-04-24 In the realm of marine propulsion Mercury Marine stands as a beacon of innovation performance and precision Their outboard engines are a testament to engineering excellence empowering boaters with unparalleled power control and exhilaration The Ardent Mariner Mastering the Mercury Seas is your comprehensive guide to unlocking the full potential of your Mercury engine Embark on a journey of discovery as you delve into the intricacies of Mercury s legendary craftsmanship Understand the inner workings of these engines from the robust powerheads to the efficient fuel systems and appreciate the attention to detail that sets Mercury apart With a thorough exploration of Mercury s model lineup you ll gain expert insights into selecting the perfect engine for your boat whether you seek blistering speed unwavering reliability or a combination of both Safety is paramount and The Ardent Mariner equips you with the knowledge and skills to operate your Mercury engine responsibly Learn about the advanced safety features incorporated into these engines and discover best practices for handling your boat in various conditions From routine maintenance to troubleshooting common issues this guide empowers you to keep your Mercury engine running smoothly and efficiently ensuring peace of mind on every voyage Maximize the performance of your Mercury engine by exploring the art of fine tuning and optimization Discover the impact of propeller selection understanding how the right propeller can transform

your boating experience by enhancing speed acceleration and fuel economy delve into the realm of engine modifications learning how to extract even more power and efficiency from your Mercury engine Embrace the Mercury lifestyle and become part of a vibrant community of boaters enthusiasts and experts Join clubs attend events and immerse yourself in the world of Mercury Marine Discover breathtaking boating destinations capture your marine adventures through stunning photography and videography and share your passion with others through blogs and social media Become a part of the Mercury legacy preserving marine history and passing on the traditions and values of boating to future generations Whether you re a seasoned mariner or just setting sail on your boating journey *The Ardent Mariner Mastering the Mercury Seas* is your indispensable guide to navigating the waters with confidence expertise and an unwavering passion for the marine world If you like this book write a review on google books    [MotorBoating](#) ,2008-09    **Boating** ,2008-10    **MotorBoating** ,2008-10    *McEwan's Easy Shorthand* Oliver McEwan,1919    [Boating](#) ,2005-09    *Forest and Stream* ,1903  
    **MotorBoating** ,2005-05    **Boating** ,2005-03

When people should go to the ebook stores, search inauguration by shop, shelf by shelf, it is in fact problematic. This is why we allow the ebook compilations in this website. It will no question ease you to see guide **Smartcraft Manual Installation** as you such as.

By searching the title, publisher, or authors of guide you really want, you can discover them rapidly. In the house, workplace, or perhaps in your method can be all best place within net connections. If you seek to download and install the Smartcraft Manual Installation, it is categorically simple then, past currently we extend the link to purchase and make bargains to download and install Smartcraft Manual Installation therefore simple!

[https://movement.livewellcolorado.org/results/book-search/Documents/The\\_Withered\\_Rose\\_The\\_Baker\\_S\\_Dozen\\_Book\\_2.pdf](https://movement.livewellcolorado.org/results/book-search/Documents/The_Withered_Rose_The_Baker_S_Dozen_Book_2.pdf)

## **Table of Contents Smartcraft Manual Installation**

1. Understanding the eBook Smartcraft Manual Installation
  - The Rise of Digital Reading Smartcraft Manual Installation
  - Advantages of eBooks Over Traditional Books
2. Identifying Smartcraft Manual Installation
  - Exploring Different Genres
  - Considering Fiction vs. Non-Fiction
  - Determining Your Reading Goals
3. Choosing the Right eBook Platform
  - Popular eBook Platforms
  - Features to Look for in an Smartcraft Manual Installation
  - User-Friendly Interface
4. Exploring eBook Recommendations from Smartcraft Manual Installation
  - Personalized Recommendations
  - Smartcraft Manual Installation User Reviews and Ratings
  - Smartcraft Manual Installation and Bestseller Lists

5. Accessing Smartcraft Manual Installation Free and Paid eBooks
  - Smartcraft Manual Installation Public Domain eBooks
  - Smartcraft Manual Installation eBook Subscription Services
  - Smartcraft Manual Installation Budget-Friendly Options
6. Navigating Smartcraft Manual Installation eBook Formats
  - ePub, PDF, MOBI, and More
  - Smartcraft Manual Installation Compatibility with Devices
  - Smartcraft Manual Installation Enhanced eBook Features
7. Enhancing Your Reading Experience
  - Adjustable Fonts and Text Sizes of Smartcraft Manual Installation
  - Highlighting and Note-Taking Smartcraft Manual Installation
  - Interactive Elements Smartcraft Manual Installation
8. Staying Engaged with Smartcraft Manual Installation
  - Joining Online Reading Communities
  - Participating in Virtual Book Clubs
  - Following Authors and Publishers Smartcraft Manual Installation
9. Balancing eBooks and Physical Books Smartcraft Manual Installation
  - Benefits of a Digital Library
  - Creating a Diverse Reading Collection Smartcraft Manual Installation
10. Overcoming Reading Challenges
  - Dealing with Digital Eye Strain
  - Minimizing Distractions
  - Managing Screen Time
11. Cultivating a Reading Routine Smartcraft Manual Installation
  - Setting Reading Goals Smartcraft Manual Installation
  - Carving Out Dedicated Reading Time
12. Sourcing Reliable Information of Smartcraft Manual Installation
  - Fact-Checking eBook Content of Smartcraft Manual Installation
  - Distinguishing Credible Sources
13. Promoting Lifelong Learning

- Utilizing eBooks for Skill Development
  - Exploring Educational eBooks
14. Embracing eBook Trends
- Integration of Multimedia Elements
  - Interactive and Gamified eBooks

### **Smartcraft Manual Installation Introduction**

Free PDF Books and Manuals for Download: Unlocking Knowledge at Your Fingertips In today's fast-paced digital age, obtaining valuable knowledge has become easier than ever. Thanks to the internet, a vast array of books and manuals are now available for free download in PDF format. Whether you are a student, professional, or simply an avid reader, this treasure trove of downloadable resources offers a wealth of information, conveniently accessible anytime, anywhere. The advent of online libraries and platforms dedicated to sharing knowledge has revolutionized the way we consume information. No longer confined to physical libraries or bookstores, readers can now access an extensive collection of digital books and manuals with just a few clicks. These resources, available in PDF, Microsoft Word, and PowerPoint formats, cater to a wide range of interests, including literature, technology, science, history, and much more. One notable platform where you can explore and download free Smartcraft Manual Installation PDF books and manuals is the internet's largest free library. Hosted online, this catalog compiles a vast assortment of documents, making it a veritable goldmine of knowledge. With its easy-to-use website interface and customizable PDF generator, this platform offers a user-friendly experience, allowing individuals to effortlessly navigate and access the information they seek. The availability of free PDF books and manuals on this platform demonstrates its commitment to democratizing education and empowering individuals with the tools needed to succeed in their chosen fields. It allows anyone, regardless of their background or financial limitations, to expand their horizons and gain insights from experts in various disciplines. One of the most significant advantages of downloading PDF books and manuals lies in their portability. Unlike physical copies, digital books can be stored and carried on a single device, such as a tablet or smartphone, saving valuable space and weight. This convenience makes it possible for readers to have their entire library at their fingertips, whether they are commuting, traveling, or simply enjoying a lazy afternoon at home. Additionally, digital files are easily searchable, enabling readers to locate specific information within seconds. With a few keystrokes, users can search for keywords, topics, or phrases, making research and finding relevant information a breeze. This efficiency saves time and effort, streamlining the learning process and allowing individuals to focus on extracting the information they need. Furthermore, the availability of free PDF books and manuals fosters a culture of continuous learning. By removing financial barriers, more people can access educational resources and pursue lifelong learning, contributing to

personal growth and professional development. This democratization of knowledge promotes intellectual curiosity and empowers individuals to become lifelong learners, promoting progress and innovation in various fields. It is worth noting that while accessing free Smartcraft Manual Installation PDF books and manuals is convenient and cost-effective, it is vital to respect copyright laws and intellectual property rights. Platforms offering free downloads often operate within legal boundaries, ensuring that the materials they provide are either in the public domain or authorized for distribution. By adhering to copyright laws, users can enjoy the benefits of free access to knowledge while supporting the authors and publishers who make these resources available. In conclusion, the availability of Smartcraft Manual Installation free PDF books and manuals for download has revolutionized the way we access and consume knowledge. With just a few clicks, individuals can explore a vast collection of resources across different disciplines, all free of charge. This accessibility empowers individuals to become lifelong learners, contributing to personal growth, professional development, and the advancement of society as a whole. So why not unlock a world of knowledge today? Start exploring the vast sea of free PDF books and manuals waiting to be discovered right at your fingertips.

### **FAQs About Smartcraft Manual Installation Books**

How do I know which eBook platform is the best for me? Finding the best eBook platform depends on your reading preferences and device compatibility. Research different platforms, read user reviews, and explore their features before making a choice. Are free eBooks of good quality? Yes, many reputable platforms offer high-quality free eBooks, including classics and public domain works. However, make sure to verify the source to ensure the eBook credibility. Can I read eBooks without an eReader? Absolutely! Most eBook platforms offer webbased readers or mobile apps that allow you to read eBooks on your computer, tablet, or smartphone. How do I avoid digital eye strain while reading eBooks? To prevent digital eye strain, take regular breaks, adjust the font size and background color, and ensure proper lighting while reading eBooks. What the advantage of interactive eBooks? Interactive eBooks incorporate multimedia elements, quizzes, and activities, enhancing the reader engagement and providing a more immersive learning experience. Smartcraft Manual Installation is one of the best book in our library for free trial. We provide copy of Smartcraft Manual Installation in digital format, so the resources that you find are reliable. There are also many Ebooks of related with Smartcraft Manual Installation. Where to download Smartcraft Manual Installation online for free? Are you looking for Smartcraft Manual Installation PDF? This is definitely going to save you time and cash in something you should think about. If you trying to find then search around for online. Without a doubt there are numerous these available and many of them have the freedom. However without doubt you receive whatever you purchase. An alternate way to get ideas is always to check another Smartcraft Manual Installation. This



method for see exactly what may be included and adopt these ideas to your book. This site will almost certainly help you save time and effort, money and stress. If you are looking for free books then you really should consider finding to assist you try this. Several of Smartcraft Manual Installation are for sale to free while some are payable. If you arent sure if the books you would like to download works with for usage along with your computer, it is possible to download free trials. The free guides make it easy for someone to free access online library for download books to your device. You can get free download on free trial for lots of books categories. Our library is the biggest of these that have literally hundreds of thousands of different products categories represented. You will also see that there are specific sites catered to different product types or categories, brands or niches related with Smartcraft Manual Installation. So depending on what exactly you are searching, you will be able to choose e books to suit your own need. Need to access completely for Campbell Biology Seventh Edition book? Access Ebook without any digging. And by having access to our ebook online or by storing it on your computer, you have convenient answers with Smartcraft Manual Installation To get started finding Smartcraft Manual Installation, you are right to find our website which has a comprehensive collection of books online. Our library is the biggest of these that have literally hundreds of thousands of different products represented. You will also see that there are specific sites catered to different categories or niches related with Smartcraft Manual Installation So depending on what exactly you are searching, you will be able to choose ebook to suit your own need. Thank you for reading Smartcraft Manual Installation. Maybe you have knowledge that, people have search numerous times for their favorite readings like this Smartcraft Manual Installation, but end up in harmful downloads. Rather than reading a good book with a cup of coffee in the afternoon, instead they juggled with some harmful bugs inside their laptop. Smartcraft Manual Installation is available in our book collection an online access to it is set as public so you can download it instantly. Our digital library spans in multiple locations, allowing you to get the most less latency time to download any of our books like this one. Merely said, Smartcraft Manual Installation is universally compatible with any devices to read.

### **Find Smartcraft Manual Installation :**

**the withered rose the baker s dozen book 2**

[the thrill of it all](#)

*the waterproof bible*

the tin drum [kindle edition]

*the timeless rosary god s gift of life*

the ultimate guide to the daniel fast

**the theater of the bauhaus**

*the west in the world volume i to 1715 loose leaf*

[the thing in the lake gay fiction english edition](#)

*the usga course rating system manual 225*

**the wild truth cd**

*the wife who ran away english edition*

**the wall jumper a berlin story by peter schneider**

*the ukrainian in me english edition*

[the whitehall effect](#)

### **Smartcraft Manual Installation :**

[the story of mulan english chinese version with p](#) - Sep 26 2022

web merely said the the story of mulan english chinese version with p is universally compatible in the manner of any devices to read the routledge international handbook

*the story of mulan english chinese version with p copy* - Aug 26 2022

web sep 4 2023 the story of mulan english chinese version with p but end up in infectious downloads rather than reading a good book with a cup of coffee in the afternoon

[hua mulan wikipedia](#) - Oct 28 2022

web stimulate metamorphosis is truly astonishing within the pages of the story of mulan english chinese version with p an enthralling opus penned by a highly acclaimed

**eng sub chinese short story listening legend of mulan** - Aug 06 2023

web dec 18 2020 today we learn the chinese legend of mulan 木兰 mulan chinese story with pinyin and english mandarin ch welcome to chinese short story listening eng sub

**the story of mulan english chinese version with p download** - Jul 25 2022

web jun 11 2023 now is the story of mulan english chinese version with p below ming s adventure with confucius in qufu li jian 2015 04 07 in this beautifully illustrated

**the story of mulan english chinese version with p copy** - Jul 05 2023

web the story of mulan english chinese version with p go mobilize simplified chinese version dec 28 2019 the chinese text aug 16 2021 the collection opens with

**the story of mulan english chinese version with p pdf** - May 23 2022

web oct 18 2023 we allow under as well as evaluation the story of mulan english chinese version with p what you next to

read mulan jian li art teacher 2021 mulan is a folk  
*the story of mulan english chinese version with p pdf* - Jan 19 2022

**the story of mulan english chinese version with p uniport edu** - Dec 18 2021

[the story of mulan english chinese version with p faye lynn wu](#) - Jun 23 2022

web oct 11 2023 story of mulan english chinese version with p below i am hua mulan wenjun qin 2019 10 15 a girl retells  
the story of the legendary female warrior she

**the story of mulan a chinese tale in english for kids** - Sep 07 2023

web nov 8 2023 the story of mulan a chinese tale in english for kids bedtime stories for grown ups many years ago china was  
in the middle of a great war the emperor said

**mulan 1998 film wikipedia** - Apr 21 2022

web oct 11 2023 the story of mulan english chinese version with p 1 10 downloaded from uniport edu ng on october 11 2023  
by guest the story of mulan english chinese

[the legend of hua mulan 1 500 years of history](#) - Nov 28 2022

web the story of mulan english chinese version with p mulan hua mu lan ti ku shih verity mulan my first book of chinese  
words chinese film classics 1922 1949

[mulan a story in chinese and english hardcover amazon com](#) - Jan 31 2023

web a long time ago in china there lived a young girl named mulan her father was a retired general who taught her many  
skills girls weren t normally allowed to learn like martial

*the story of mulan english chinese version with p uniport edu* - Mar 21 2022

web oct 11 2023 computer the story of mulan english chinese version with p is affable in our digital library an online access  
to it is set as public fittingly you can download it instantly

**the story of mulan english chinese version with p copy** - Feb 17 2022

*mulan a story in chinese and english by li jian* - Dec 30 2022

web merely said the the story of mulan english chinese version with p is universally compatible with any devices to read  
mulan li jian 2020 02 04 from china based

[the story of mulan english chinese version with p uniport edu](#) - Mar 01 2023

web apr 1 2014 mulan is a folk story from china s northern dynasty 439 589 about the unusual tale of an ordinary girl

named fa mulan this book is illustrated based on the

**the original story of mulan read the ballad of** - Jun 04 2023

web disney mulan the story of the movie in comics iron widow mulan s legend and legacy in china and the united states negotiating masculinities in late imperial china the

**the story of mulan english chinese version with p uniport edu** - Nov 16 2021

**the story of mulan english chinese version with p 2022** - May 03 2023

web apr 1 2014 mulan is a folk story from china s northern dynasty 439 589 about the unusual tale of an ordinary girl named fa mulan this book is illustrated based on the

**mulan the tale of hua mulan stories to grow by** - Oct 08 2023

web the story of mulan a chinese tale in english for kids illustrated by suzie chang listen to mulan while you read along many years ago china was in the middle of a

*mulan a story in chinese and english by jian li* - Apr 02 2023

web oct 12 2023 now is the story of mulan english chinese version with p below mulan li jian 2020 02 04 from china based publisher shanghai press this book recounts the

marcus schaefer - Sep 12 2022

web aug 23 2008 marcus schaefer crc press 2018 algorithms richard johnsonbaugh marcus schaefer prentice hall 2004 papers and technical reports

**algorithms richard johnsonbaugh marcus schaefer google** - Jul 22 2023

web this volume covers data structures searching techniques divided and conquer sorting and selection greedy algorithms dynamic programming text searching computational

**algorithms 04 edition 9780023606922 textbooks com** - Feb 05 2022

web buy algorithms 04 edition 9780023606922 by richard johnsonbaugh and marcus schaefer for up to 90 off at textbooks com

**algorithms by richard johnsonbaugh marcus schaefer alibris** - Jan 04 2022

web filling the void left by other algorithms books algorithms and data structures provides an approach that emphasizes design techniques the volume includes application of

algorithms by richard johnsonbaugh open library - Oct 13 2022

web sep 15 2003 algorithms by richard johnsonbaugh marcus schaefer september 15 2003 prentice hall edition hardcover in english 1st edition an edition of algorithms

**algorithms richard johnsonbaugh marcus schaefer jean paul** - Dec 03 2021

web algorithms richard johnsonbaugh marcus schaefer is available in our digital library an online access to it is set as public so you can get it instantly our books collection spans

**algorithms richard johnsonbaugh marcus schaefer** - Oct 01 2021

web algorithms books algorithms and data structures provides an approach that emphasizes design techniques the text includes application of algorithms examples end of section

**algorithms international edition amazon co uk johnsonbaugh** - Mar 18 2023

web apr 4 2003 buy algorithms international edition 1 by johnsonbaugh richard schaefer marcus isbn 9780131228535 from amazon s book store everyday low

algorithms johnsonbaugh richard schaefer marcus - Dec 15 2022

web with their many years of experience in teaching algorithms courses richard johnsonbaugh and marcus schaefer include applications of algorithms examples

**algorithms johnsonbaugh richard schaefer marcus** - Jul 10 2022

web jul 31 2003 up to 90 off textbooks at amazon canada plus free two day shipping for six months when you sign up for amazon prime for students

algorithms worldcat org - Jan 16 2023

web authors richard johnsonbaugh marcus schaefer summary for graduate and upper level undergraduate courses in algorithms this text provides an approach that

**algorithms richard johnsonbaugh marcus schaefer** - Nov 14 2022

web algorithms richard johnsonbaugh marcus schaefer national library algorithms richard johnsonbaugh marcus schaefer creator contributor johnsonbaugh

algorithms by johnsonbaugh richard schaefer marcus - Nov 02 2021

web hardcover 500 00 13 used from 4 92 2 new from 497 85 paperback 29 50 2 used from 29 50 2 new from 16 75

algorithms by johnsonbaugh richard schaefer marcus

*algorithms worldcat org* - Mar 06 2022

web with their many years of experience in teaching algorithms courses richard johnsonbaugh and marcus schaefer include applications of algorithms examples

joint review of algorithms by richard johnsonbaugh and marcus - Apr 07 2022

web joint review of algorithms by richard johnsonbaugh and marcus schaefer pearson prentice hall 004 and algorithms by sanjoy dasgupta christos

**algorithms by johnsonbaugh richard schaefer marcus** - Feb 17 2023

web algorithms by johnsonbaugh richard schaefer marcus published by prentice hall 2003 hardcover 4 4 4 4 out of 5 stars 14 ratings see all formats and editions

algorithms depaul university - Aug 23 2023

web algorithms by richard johnsonbaugh and marcus schaefer is intended for an upper level undergraduate or graduate course in algorithms the authors include applications

*algorithms by richard johnsonbaugh open library* - Apr 19 2023

web jan 7 2023 algorithms by richard johnsonbaugh marcus schaefer 2004 pearson education edition in english

**algorithms richard johnsonbaugh marcus schaefer pdf** - May 08 2022

web algorithms richard johnsonbaugh marcus schaefer for upper level undergraduate and graduate courses in algorithms filling the void left by other algorithms books

**table of contents depaul university** - May 20 2023

web algorithms richard johnsonbaugh marcus schaefer preface introduction 1 1 algorithms 1 2 pseudocode for algorithms 1 3 the present 1 4 the future notes

algorithms richard johnsonbaugh marcus schaefer google - Jun 21 2023

web richard johnsonbaugh marcus schaefer pearson education 2004 algorithms 752 pages for upper level undergraduate and graduate courses in algorithms filling the

*algorithms international edition johnsonbaugh richard* - Aug 11 2022

web abebooks com algorithms international edition 9780131228535 by johnsonbaugh richard schaefer marcus and a great selection of similar new used and collectible

**algorithms richard johnsonbaugh marcus schaefer pdf** - Jun 09 2022

web algorithms richard johnsonbaugh marcus schaefer depaul university pearson prentice hall pearson education upper saddle river new jersey 07458

**intimität vertraue dir selbst und den anderen google play** - Jun 14 2023

web intimität vertraue dir selbst und den anderen audiobook written by osho narrated by olaf pessler get instant access to all your favorite books no monthly commitment listen online

**intimität vertraue dir selbst und den anderen the sannyas wiki** - Dec 08 2022

web osho der provokative spirituelle lehrer erläutert das grundlegende abc der intimität und seine praktische umsetzung jeder mensch hat angst vor intimität intimität bedeutet sich vor einem fremden zu entblößen und wir sind

*intimitat vertraue dir selbst und den anderen 2023* - Nov 07 2022

web intimitat vertraue dir selbst und den anderen vertraue dir selbst jun 25 2022 ralph waldo emerson vertraue dir selbst ein aufruf zur selbständigkeit des menschen lesefreundlicher grossdruck in 16 pt schrift edition holzinger grossformat 216 x 279 mm berliner ausgabe 2016

[intimitat vertraue dir selbst und den anderen pdf](#) - Jul 03 2022

web intimitat vertraue dir selbst und den anderen 5 5 verliebung begleite ich dich und helfe dir empfänglich zu werden für all das was du dir auch im außen wünschst lass dich auf deinem weg in die selbstliebe begleiten der in wahrheit ein heimweg ist denn gesunde selbstliebe ist aus meiner sicht unser naturzustand ich zeige dir wie du

**intimität vertraue dir selbst und den anderen by osho** - Apr 12 2023

web vertraue dir selbst und den anderen osho insights for a new way of living osho 208 pages first pub 2001 isbn uid 9783548742144 format paperback language german publisher ullstein tb verlag publication date 14 december 2001 nonfiction philosophy

[intimität vertraue dir selbst und den anderen lovelybooks](#) - Jul 15 2023

web inhaltsangabe zu intimität vertraue dir selbst und den anderen die angst vor nähe verlieren fast jeder mensch hat angst vor wirklicher nähe und intimität die mehr ist als nur eine kurze oberflächliche begegnung

**intimität vertraue dir selbst und den anderen zvab** - May 13 2023

web intimität vertraue dir selbst und den anderen von osho beim zvab com isbn 10 3548742149 isbn 13 9783548742144 ullstein taschenbuchvlg 2004 softcover

[intimitat vertraue dir selbst und den anderen full pdf](#) - Feb 27 2022

web 2 intimitat vertraue dir selbst und den anderen 2021 11 07 kam er in diese welt soll er gemeinsam mit emira herrschen adam besteht viele abenteuer bis er den sinn seiner existenz in dieser welt begreift eine alte legende verhilft ihm schließlich zu ungeahnter macht in diesem universum der frauen und er lernt die frauen lieben

*intimität wikipedia* - Mar 31 2022

web intimität ist ein subjektives phänomen das durch einseitiges selbst erfahren und selbst offenbaren innerster gedanken und gefühle in gegenwart eines anderen menschen entsteht

*intimität vertraue dir selbst und den anderen osho amazon com tr* - Sep 17 2023

web intimität vertraue dir selbst und den anderen osho amazon com tr Çerez tercihlerinizi seçin alışveriş deneyiminizi geliştirmek hizmetlerimizi sunmak müşterilerin hizmetlerimizi nasıl kullandığını anlayarak iyileştirmeler yapabilmek ve tanıtımları gösterebilmek için çerezler ve benzeri araçları kullanmaktayız

**Übersetzung für ich vertraue dir im türkisch reverso context** - Jun 02 2022

web Übersetzung im kontext von ich vertraue dir in deutsch türkisch von reverso context ich dir vertraue Übersetzung

context rechtschreibprüfung synonyme konjugation konjugation documents wörterbuch kollaboratives wörterbuch  
grammatik expressio reverso corporate herunterladen für windows

intimität vertraue dir selbst und den anderen amazon de - Aug 16 2023

web intimität vertraue dir selbst und den anderen hörbuch download osho olaf pessler rene schilling hörbuchhamburg hhv  
gmbh amazon de audible hörbücher originals

**intimität vertraue dir selbst und den anderen softcover** - Feb 10 2023

web intimität vertraue dir selbst und den anderen von osho bei abebooks de isbn 10 3548742149 isbn 13 9783548742144  
ullstein taschenbuchvlg 2004 softcover

intimitat vertraue dir selbst und den anderen michael hübner - Aug 04 2022

web intimitat vertraue dir selbst und den anderen if you ally habit such a referred intimitat vertraue dir selbst und den  
anderen books that will meet the expense of you worth get the completely best seller from us currently from several  
preferred authors if you want to entertaining books lots of novels tale jokes and more fictions

**intimitat vertraue dir selbst und den anderen** - Jan 29 2022

web in meine vergangenheit und erzähle ihm davon wie bei mir selbst der stein ins rollen kam ich beschreibe meine  
tiefpunkte die ich als auslöser für meinen neuen weg erkannt habe von denen aus ich mich in eine neue richtung orientiere  
dabei gebe ich all jene methoden und werkzeuge preis die mir hilfstellung waren um all jene prozesse

intimität vertraue dir selbst und den anderen buchfreund - Jan 09 2023

web 2019 taschenbuch durch stempelaufdruck am unteren schnitt des buches gekennzeichnetes preisreduziertes  
mängelexemplar lager druck schlagstellen a

**intimität vertraue dir selbst und den anderen hörbuch osho** - Mar 11 2023

web lese intimität vertraue dir selbst und den anderen gratis von osho verfügbar als hörbuch jetzt 14 tage gratis testen 14  
tage gratis jederzeit kündbar lies höre unbegrenzt große auswahl an neuen büchern 9 10 lesen mehr mit nextory

intimität vertraue dir selbst und den anderen buchfreund - Sep 05 2022

web dt erstausg 2004 taschenbuch 220 s gutes exemplar lebensführung rajneesh bewegung andere religionen sl05  
9783453874312 osho

intimität schreibung definition bedeutung etymologie dwds - May 01 2022

web intim adj vertraut eng verbunden vertraulich gemütlich entlehnung 18 jh aus dem superlativ lat intimus der innerste  
tiefste vertrauteste zuerst intimer freund heute vielfach in der verhüllenden fügung intime sexuelle beziehungen Älter ist der  
gebrauch der substantivierten lat form intimus m vertrauter

intimität vertraue dir selbst und den anderen ratgeber - Oct 06 2022



web versand und zahlung widerrufsrecht datenschutzerklärung agb impressum menü suchen suchen mein konto menü  
schließen mein konto anmelden artikel details von intimität vertraue dir selbst und den anderen