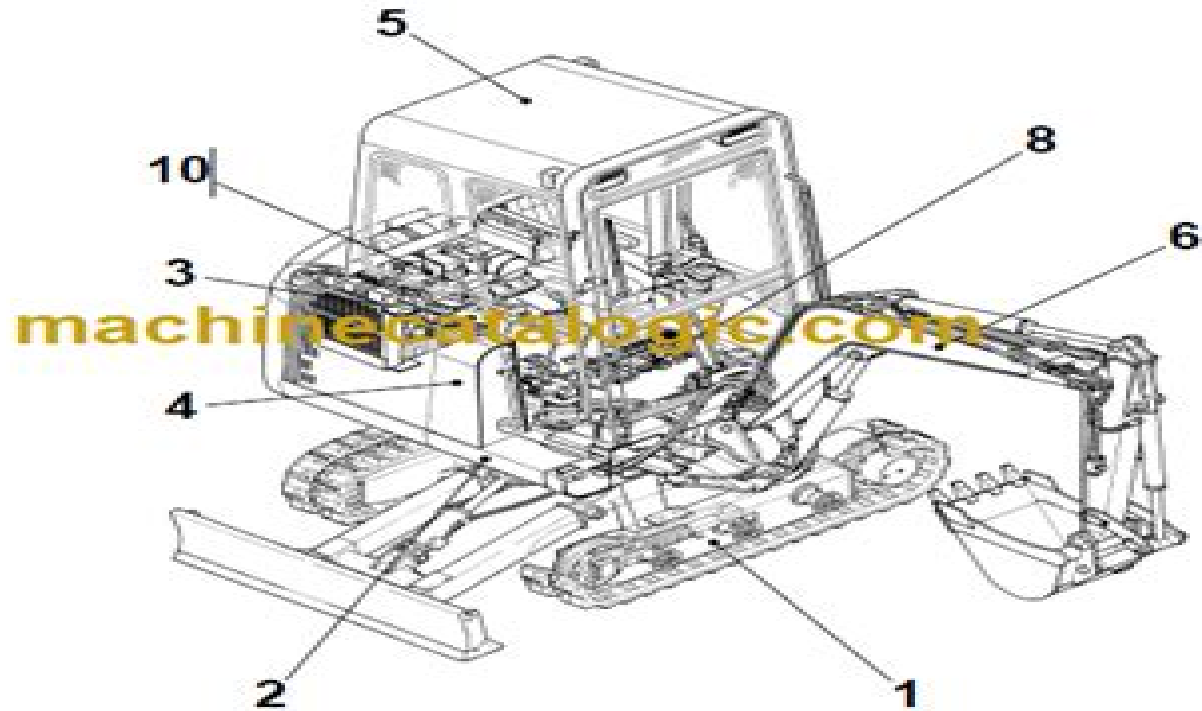


# TB020

Book No.PD3-102Z4  
Serial No.1205001-1205750



# TAKEUCHI

# Takeuchi Tb020 Compact Excavator Parts Manual

**Caterpillar Inc. Peoria, Ill..**



**Takeuchi Tb020 Compact Excavator Parts Manual:**

**Parts Manual** Caterpillar Inc. Peoria, Ill.,1996     Parts Manual Caterpillar Inc. Peoria, Ill.,1993     *Parts Manual*  
Caterpillar Inc. Peoria, Ill.,1995     **Parts Manual** Caterpillar Inc. Peoria, Ill.,1993     *Parts Manual* Caterpillar Inc.  
Peoria, Ill.,1994     *Parts Manual* Caterpillar Inc. Peoria, Ill.,1996     **Parts Manual** Caterpillar Inc. Peoria, Ill.,1994  
**Parts Manual** Caterpillar Inc. Peoria, Ill.,1990     Parts Manual Caterpillar Inc. Peoria, Ill.,1995     **Parts Manual**  
Caterpillar Inc. Peoria, Ill.,1992     *Parts Manual* Caterpillar Inc. Peoria, Ill.,1995     Parts Manual Caterpillar Inc. Peoria,  
Ill.,1994     **Parts Manual** Caterpillar Inc. Peoria, Ill.,1993     **Parts Manual** Caterpillar Inc. Peoria, Ill.,1992     **Parts**  
**Manual** Caterpillar Inc. Peoria, Ill.,1998     *Parts Manual* Caterpillar Inc. Peoria, Ill.,1995     **Parts Manual** Caterpillar  
Inc. Peoria, Ill.,1994     **Parts Manual** Caterpillar Inc. Peoria, Ill.,1994     **Parts Manual** Caterpillar Inc. Peoria, Ill.,1991  
Parts Manual Caterpillar Inc. Peoria, Ill.,1993

Recognizing the habit ways to acquire this book **Takeuchi Tb020 Compact Excavator Parts Manual** is additionally useful. You have remained in right site to start getting this info. acquire the Takeuchi Tb020 Compact Excavator Parts Manual associate that we give here and check out the link.

You could purchase lead Takeuchi Tb020 Compact Excavator Parts Manual or acquire it as soon as feasible. You could speedily download this Takeuchi Tb020 Compact Excavator Parts Manual after getting deal. So, similar to you require the book swiftly, you can straight get it. Its so very simple and for that reason fats, isnt it? You have to favor to in this spread

[https://movement.livewellcolorado.org/public/detail/Documents/Interests\\_And\\_Obsessions\\_Historical\\_Essays.pdf](https://movement.livewellcolorado.org/public/detail/Documents/Interests_And_Obsessions_Historical_Essays.pdf)

## **Table of Contents Takeuchi Tb020 Compact Excavator Parts Manual**

1. Understanding the eBook Takeuchi Tb020 Compact Excavator Parts Manual
  - The Rise of Digital Reading Takeuchi Tb020 Compact Excavator Parts Manual
  - Advantages of eBooks Over Traditional Books
2. Identifying Takeuchi Tb020 Compact Excavator Parts Manual
  - Exploring Different Genres
  - Considering Fiction vs. Non-Fiction
  - Determining Your Reading Goals
3. Choosing the Right eBook Platform
  - Popular eBook Platforms
  - Features to Look for in an Takeuchi Tb020 Compact Excavator Parts Manual
  - User-Friendly Interface
4. Exploring eBook Recommendations from Takeuchi Tb020 Compact Excavator Parts Manual
  - Personalized Recommendations
  - Takeuchi Tb020 Compact Excavator Parts Manual User Reviews and Ratings
  - Takeuchi Tb020 Compact Excavator Parts Manual and Bestseller Lists
5. Accessing Takeuchi Tb020 Compact Excavator Parts Manual Free and Paid eBooks

- Takeuchi Tb020 Compact Excavator Parts Manual Public Domain eBooks
  - Takeuchi Tb020 Compact Excavator Parts Manual eBook Subscription Services
  - Takeuchi Tb020 Compact Excavator Parts Manual Budget-Friendly Options
6. Navigating Takeuchi Tb020 Compact Excavator Parts Manual eBook Formats
- ePub, PDF, MOBI, and More
  - Takeuchi Tb020 Compact Excavator Parts Manual Compatibility with Devices
  - Takeuchi Tb020 Compact Excavator Parts Manual Enhanced eBook Features
7. Enhancing Your Reading Experience
- Adjustable Fonts and Text Sizes of Takeuchi Tb020 Compact Excavator Parts Manual
  - Highlighting and Note-Taking Takeuchi Tb020 Compact Excavator Parts Manual
  - Interactive Elements Takeuchi Tb020 Compact Excavator Parts Manual
8. Staying Engaged with Takeuchi Tb020 Compact Excavator Parts Manual
- Joining Online Reading Communities
  - Participating in Virtual Book Clubs
  - Following Authors and Publishers Takeuchi Tb020 Compact Excavator Parts Manual
9. Balancing eBooks and Physical Books Takeuchi Tb020 Compact Excavator Parts Manual
- Benefits of a Digital Library
  - Creating a Diverse Reading Collection Takeuchi Tb020 Compact Excavator Parts Manual
10. Overcoming Reading Challenges
- Dealing with Digital Eye Strain
  - Minimizing Distractions
  - Managing Screen Time
11. Cultivating a Reading Routine Takeuchi Tb020 Compact Excavator Parts Manual
- Setting Reading Goals Takeuchi Tb020 Compact Excavator Parts Manual
  - Carving Out Dedicated Reading Time
12. Sourcing Reliable Information of Takeuchi Tb020 Compact Excavator Parts Manual
- Fact-Checking eBook Content of Takeuchi Tb020 Compact Excavator Parts Manual
  - Distinguishing Credible Sources
13. Promoting Lifelong Learning
- Utilizing eBooks for Skill Development

- Exploring Educational eBooks
14. Embracing eBook Trends
- Integration of Multimedia Elements
  - Interactive and Gamified eBooks

### **Takeuchi Tb020 Compact Excavator Parts Manual Introduction**

In this digital age, the convenience of accessing information at our fingertips has become a necessity. Whether its research papers, eBooks, or user manuals, PDF files have become the preferred format for sharing and reading documents. However, the cost associated with purchasing PDF files can sometimes be a barrier for many individuals and organizations. Thankfully, there are numerous websites and platforms that allow users to download free PDF files legally. In this article, we will explore some of the best platforms to download free PDFs. One of the most popular platforms to download free PDF files is Project Gutenberg. This online library offers over 60,000 free eBooks that are in the public domain. From classic literature to historical documents, Project Gutenberg provides a wide range of PDF files that can be downloaded and enjoyed on various devices. The website is user-friendly and allows users to search for specific titles or browse through different categories. Another reliable platform for downloading Takeuchi Tb020 Compact Excavator Parts Manual free PDF files is Open Library. With its vast collection of over 1 million eBooks, Open Library has something for every reader. The website offers a seamless experience by providing options to borrow or download PDF files. Users simply need to create a free account to access this treasure trove of knowledge. Open Library also allows users to contribute by uploading and sharing their own PDF files, making it a collaborative platform for book enthusiasts. For those interested in academic resources, there are websites dedicated to providing free PDFs of research papers and scientific articles. One such website is Academia.edu, which allows researchers and scholars to share their work with a global audience. Users can download PDF files of research papers, theses, and dissertations covering a wide range of subjects. Academia.edu also provides a platform for discussions and networking within the academic community. When it comes to downloading Takeuchi Tb020 Compact Excavator Parts Manual free PDF files of magazines, brochures, and catalogs, Issuu is a popular choice. This digital publishing platform hosts a vast collection of publications from around the world. Users can search for specific titles or explore various categories and genres. Issuu offers a seamless reading experience with its user-friendly interface and allows users to download PDF files for offline reading. Apart from dedicated platforms, search engines also play a crucial role in finding free PDF files. Google, for instance, has an advanced search feature that allows users to filter results by file type. By specifying the file type as "PDF," users can find websites that offer free PDF downloads on a specific topic. While downloading Takeuchi Tb020 Compact Excavator Parts Manual free PDF files is convenient, its important to note that copyright laws must be respected. Always

ensure that the PDF files you download are legally available for free. Many authors and publishers voluntarily provide free PDF versions of their work, but its essential to be cautious and verify the authenticity of the source before downloading Takeuchi Tb020 Compact Excavator Parts Manual. In conclusion, the internet offers numerous platforms and websites that allow users to download free PDF files legally. Whether its classic literature, research papers, or magazines, there is something for everyone. The platforms mentioned in this article, such as Project Gutenberg, Open Library, Academia.edu, and Issuu, provide access to a vast collection of PDF files. However, users should always be cautious and verify the legality of the source before downloading Takeuchi Tb020 Compact Excavator Parts Manual any PDF files. With these platforms, the world of PDF downloads is just a click away.

### **FAQs About Takeuchi Tb020 Compact Excavator Parts Manual Books**

1. Where can I buy Takeuchi Tb020 Compact Excavator Parts Manual books? Bookstores: Physical bookstores like Barnes & Noble, Waterstones, and independent local stores. Online Retailers: Amazon, Book Depository, and various online bookstores offer a wide range of books in physical and digital formats.
2. What are the different book formats available? Hardcover: Sturdy and durable, usually more expensive. Paperback: Cheaper, lighter, and more portable than hardcovers. E-books: Digital books available for e-readers like Kindle or software like Apple Books, Kindle, and Google Play Books.
3. How do I choose a Takeuchi Tb020 Compact Excavator Parts Manual book to read? Genres: Consider the genre you enjoy (fiction, non-fiction, mystery, sci-fi, etc.). Recommendations: Ask friends, join book clubs, or explore online reviews and recommendations. Author: If you like a particular author, you might enjoy more of their work.
4. How do I take care of Takeuchi Tb020 Compact Excavator Parts Manual books? Storage: Keep them away from direct sunlight and in a dry environment. Handling: Avoid folding pages, use bookmarks, and handle them with clean hands. Cleaning: Gently dust the covers and pages occasionally.
5. Can I borrow books without buying them? Public Libraries: Local libraries offer a wide range of books for borrowing. Book Swaps: Community book exchanges or online platforms where people exchange books.
6. How can I track my reading progress or manage my book collection? Book Tracking Apps: Goodreads, LibraryThing, and Book Catalogue are popular apps for tracking your reading progress and managing book collections. Spreadsheets: You can create your own spreadsheet to track books read, ratings, and other details.
7. What are Takeuchi Tb020 Compact Excavator Parts Manual audiobooks, and where can I find them? Audiobooks: Audio

- recordings of books, perfect for listening while commuting or multitasking. Platforms: Audible, LibriVox, and Google Play Books offer a wide selection of audiobooks.
8. How do I support authors or the book industry? Buy Books: Purchase books from authors or independent bookstores. Reviews: Leave reviews on platforms like Goodreads or Amazon. Promotion: Share your favorite books on social media or recommend them to friends.
  9. Are there book clubs or reading communities I can join? Local Clubs: Check for local book clubs in libraries or community centers. Online Communities: Platforms like Goodreads have virtual book clubs and discussion groups.
  10. Can I read Takeuchi Tb020 Compact Excavator Parts Manual books for free? Public Domain Books: Many classic books are available for free as they're in the public domain. Free E-books: Some websites offer free e-books legally, like Project Gutenberg or Open Library.

### **Find Takeuchi Tb020 Compact Excavator Parts Manual :**

interests and obsessions historical essays

~~1997 sunfire owners manua~~

~~historic san timoteo canyon a pictorial tour myths and legends~~

~~1996 sebring owners manual~~

used toyota matrix for sale by owner

*panasonic dmp bdt110 manual*

**firm of the future**

dynamic rms manual

**manual alfa romeo 156**

**manuale del geometra torrent**

97 montero sport repair manual

peugeot 406 1600cc

~~2008 acura tsx valve cover seal washer manual~~

used toyota corolla manual

*osha manual for medical office*



**Takeuchi Tb020 Compact Excavator Parts Manual :**

**new headway elementary liz and john soars alleng org** - Jan 25 2023

new headway elementary student s book liz and john soars student s book 2011 4th ed 1 60 p format pdf size 69 mb view download drive google audio cd 4th ed format mp3 zip size 121 mb download drive google sb tapescripts doc drive google video 4th ed format avi zip size 239 mb

*new headway elementary 4th edition tests form signnow* - Apr 15 2022

how it works browse for the new headway elementary fourth edition tests pdf customize and esign new headway elementary 4th edition tests send out signed headway elementary fourth edition tests pdf or print it what makes the new headway elementary fourth edition tests pdf legally valid

**new headway fourth edition oxford university press** - Nov 22 2022

new headway fourth edition the world s best selling english course a perfectly balanced syllabus with a strong grammar focus and full support at all six levels authors and contributors liz and john soars with its proven methodology headway is the course you can always trust

*new headway elementary test answer key fill online* - Jun 17 2022

new headway elementary test is a series of tests designed by oxford university press to assess the english language skills of learners of english as a foreign language at the elementary level the tests are divided into four sections grammar vocabulary reading and

*class search 4th test edition elementary new headway quizlet* - Feb 23 2023

4th test edition elementary new headway classes browse 500 4th test edition elementary new headway classes study setsdiagramsclassesusers advanced 14 sets4 memberskuban state technological university krasnodar russia new headway pre int 4th edition 1 set1 memberkies valby denmark new headway pre intermediate 4th edition unit 5 rus

**test builder headway student s site oxford university press** - Sep 01 2023

students headway student s site elementary fourth edition test builder headway student s site elementary fourth edition test builder grammar vocabulary everyday english audio and video downloads

*new headway elementary test english exercises* - Jul 19 2022

new headway elementary test downloadable worksheets new headway elementary test level elementary age 14 17 downloads 32 new headway elementary final test level elementary age 12 14 downloads 32 new headway elementary third ed unit one test level elementary age 14 17 downloads 30 new headway elementary third ed unit

**new headway elementary fourth edition tests clive oxenden** - Feb 11 2022

new headway upper intermediate fourth edition student s book and itutor pack john soars 2014 01 new headway liz soars

2011 01 01 the first ever 4th edition from the world s most trusted course new headway elementary completely rewritten and packed with new material new headway elementary fourth edition student s book liz soars

[new headway elementary fourth edition test pdf fill out sign](#) - Mar 15 2022

upload a document click on new document and choose the form importing option add new headway elementary test answer key from your device the cloud or a secure link make changes to the sample take advantage of the upper and left side panel tools to change new headway elementary test answer key

**new headway english course beginner tests pdf google drive** - May 17 2022

view details request a review learn more

**elementary fourth edition headway student s site oxford** - Oct 02 2023

listen to and practise dialogues from headway audio and video downloads audio and video to help you study with headway test builder test yourself

*unit 4 headway student s site oxford university press* - Apr 27 2023

1 day ago students headway student s site elementary fourth edition grammar unit 4

[audio and video downloads headway student s site oxford](#) - Jun 29 2023

oct 30 2023 everyday english audio and video downloads test builder audio and video downloads download audio and video resources to help you study better with headway student s book audio unit 1 zip 28mb unit 2 zip 29mb unit 3 zip 24mb unit 4 zip 25mb unit 5 zip 29mb unit 6 zip 26mb unit 7 zip 22mb unit 8 zip 25mb

**tests the 4th edition new headway elementary pdf scribd** - Jul 31 2023

tests the 4th edition new headway elementary free download as word doc doc docx pdf file pdf text file txt or read online for free scribd is the world s largest social reading and publishing site

**new headway fourth edition elementary test pdfsayer com** - Aug 20 2022

mar 10 2022 new headway fourth edition elementary test pdf arama sonuçları

[new headway elementary test booklet](#) - Oct 22 2022

new headway elementary test booklet note to the teacher this booklet contains 14 unit tests which revise the corresponding unit in new headway elementary student s book there are two versions a and b of each test they cover the same material but have been reorganized to allow easier administration of the tests in the classroom

**new headway elementary tests pdf scribd** - Dec 24 2022

new headway elementary tests free download as pdf file pdf text file txt or read online for free new headway elementary

**new headway elementary fourth edition adults young adults** - May 29 2023

new headway elementary fourth edition the world s most trusted english course fourth edition liz and john soars the world s

best selling english course a perfectly balanced syllabus with a strong grammar focus and full support at all six levels part of new headway language level elementary a1 a2

[new headway elementary skill test 1 fourth edition youtube](#) - Mar 27 2023

new headway elementary skill test 1 fourth edition sn vlog 76 subscribers subscribe share 1 1k views 10 months ago i ve changed the listening audio file to a video file to create

[pdf new headway elementary tests zaki maimoun](#) - Sep 20 2022

new headway elementary tests zaki maimoun 2009 new headway here i m english letter and home and corona virus see full pdf download pdf

[para insultar con propiedad maria del pilar montes de oca s](#) - Jul 31 2022

web el presente diccionario monolingüe y especializado cuenta con 441 términos propios del habla coloquial juvenil esta obra lexicográfica fue confeccionada a partir de la compilación del corpus del habla coloquial de baja california y la

[pdf para insultar con propiedad diccionario de insultos how to insult](#) - Jan 05 2023

web para insultar con propiedad diccionario de insultos how to insult with meanin g dictionary of insults spanish edition copy link in description to download this book sinopsis page overview 1 out of 5 2 out of 5 3 out of 5 4 out of 5 5 out of 5 1 5

[descarga directa por google drive para insultar con propiedad](#) - Mar 27 2022

web may 6 2018 más de 2 000 insultos tomados de diccionarios legajos textos literarios pasquines y del uso coloquial del habla para formar un diccionario que le haga honor al arte de insultar y nos ayude a hacerlo con propiedad un libro escrito por los mismos autores del popular chingonario

[para insultar con propiedad diccionario de insultos](#) - May 29 2022

web más de 2 000 insultos tomados de diccionarios legajos textos literarios pasquines y del uso coloquial del habla para formar un diccionario que le haga honor al arte de insultar y nos ayude a hacerlo con propiedad un libro

[pdf para insultar con propiedad diccionario de insultos how to insult](#) - Oct 14 2023

web oct 28 2021 para insultar con propiedad diccionario de insultos how to insult with meanin g dictionary of insults spanish edition copy link in description to download this book sinopsis b b una divertida guía que pone al alcance del lector más de 2 000 formas para ofender a quien más desee b más de 2 000

[para insultar con propiedad diccionario de insultos goodreads](#) - Jul 11 2023

web más de 2 000 insultos tomados de diccionarios legajos textos literarios pasquines y del uso coloquial del habla para formar un diccionario que le haga honor al arte de insultar y nos ayude a hacerlo con propiedad un libro

[conoce el diccionario para insultar con propiedad publimetro](#) - Oct 02 2022

web jan 1 2017 la idea de esta recopilación para insultar está inspirada en chingonario otro de los libros de la editorial

algarabia 01 de enero 2017 a las 10 01 hrs más de dos mil insultos que van

**para insultar con propiedad diccionario de insultos how to insult** - Jun 29 2022

web buy para insultar con propiedad diccionario de insultos how to insult with meaning dictionary of insults by algarabia online at alibris we have new and used copies available in 1 editions starting at 27 48 shop now

**el insulto más utilizado en euskadi cuenta con cuatro sinónimos** - Feb 23 2022

web 12 hours ago el español ofrece un vocabulario amplio que ayuda a los españoles a utilizar una gran variedad de insultos ya no son tonto o idiota los más extendidos en españa sino gilipollas imbécil y cabrón cabrona como expone un estudio

creado por el director del centro de ciencia cognitiva de la facultad de lenguas y educación de la

para insultar con propiedad diccionario de insultos google play - Mar 07 2023

web más de 2 000 insultos tomados de diccionarios legajos textos literarios pasquines y del uso coloquial del habla para formar un diccionario que le haga honor al arte de

**para insultar con propiedad diccionario de insultos librerías** - Sep 01 2022

web diccionario de insultos de en librerías gandhi libros en gandhi con envío gratis siempre para insultar con propiedad diccionario de insultos en librerías gandhi

**quiere insultar a alguien hágalo con propiedad con 2 mil** - Apr 27 2022

web es un libro para insultar con propiedad y un diccionario que les va a servir a todos concluyó la lingüista quien aspira a que el volumen se quede en el escritorio de los lectores y que

**aprende a insultar con propiedad con este diccionario de más de** - Aug 12 2023

web dec 9 2016 por esa razón presentaron en la feria internacional del libro de guadalajara para insultar con propiedad un diccionario de más de 2 000 entradas que pretende acercar a los

para insultar con propiedad diccionario de insultos how to insult - Sep 13 2023

web jan 31 2017 más de 2 000 insultos tomados de diccionarios legajos textos literarios pasquines y del uso coloquial del habla para formar un diccionario que le haga honor al arte de insultar y nos ayude a hacerlo con propiedad un libro escrito por los mismos autores del popular chingonario

**para insultar con propiedad diccionario de insultos google books** - Jun 10 2023

web oct 14 2016 más de 2 000 insultos tomados de diccionarios legajos textos literarios pasquines y del uso coloquial del habla para formar un diccionario que le haga honor al arte de

**para insultar con propiedad diccionario de insultos google books** - May 09 2023

web oct 1 2016 para insultar con propiedad mari a del pilar montes de oca sicilia algarabía oct 1 2016 reference 216 pages recopilación de más de 2 000 insultos tomados de diccionarios textos literarios y del uso coloquial del habla para honrar al

arte de insultar y hacerlo con propiedad

*para insultar con propiedad diccionario de insultos how to insult* - Feb 06 2023

web más de 2 000 insultos tomados de diccionarios legajos textos literarios pasquines y del uso coloquial del habla para formar un diccionario que le haga honor al arte de insultar y nos ayude a hacerlo con propiedad un libro escrito por los mismos autores del popular chingonario aprender a insultar es todo un arte ya lo decía el gran

**para insultar con propiedad diccionario de insultos google play** - Dec 04 2022

web para insultar con propiedad diccionario de insultos ebook written by maría del pilar montes de oca sicilia read this book using google play books app on your pc android ios devices download for offline reading highlight bookmark or take notes while you read para insultar con propiedad diccionario de insultos

para insultar con propiedad diccionario de insultos - Apr 08 2023

web más de 2 000 insultos tomados de diccionarios legajos textos literarios pasquines y del uso coloquial del habla para formar un diccionario que le haga honor al arte de insultar y nos ayude a hacerlo con propiedad un libro

para insultar con propiedad diccionario de insultos how to insult - Nov 03 2022

web compre online para insultar con propiedad diccionario de insultos how to insult with meaning dictionary of insults de algarabia na amazon frete grátis em milhares de produtos com o amazon prime encontre diversos livros escritos por **home pebc** - May 25 2022

web candidate portal pebc is the national certification body for the profession of pharmacy in canada this website is the official source for information regarding the pebc certification process for pharmacists and pharmacy technicians

pebc pharmacist qualifying exam free sample questions - Apr 23 2022

web pharmpower offers free sample pebc style questions for the pharmacist qualifying exam 10 sample multiple choice questions and 1 sample osce case get full access to our comprehensive question bank course today

become pharmacist in canada full pebc evaluating exam - Apr 04 2023

web computer based full pebc evaluating exam practice contains 150 ee type questions divided in 3 practice exams for your convenience each practice exam has 50 questions and must be completed in 80 min 1 hr 20 min you do not need to finish the exam in one sitting pause anytime and continue where you left it's that simple

how to prepare for pebc exam a 3 step guide canadian pharmacy exams - Feb 02 2023

web pebc canada blog features practice questions and tips for evaluating exam ee and qualifying exam mcq to help candidates improve their preparation for exams we will also include numerous questions that cater to pebc pharmacy technician exams pebc exam books on amazon computer based pebc exams on udemy learn more

**examination design and style pebc** - Jul 07 2023

web the pharmacist evaluating examination consists entirely of multiple choice questions you will be required to select the best answer from the responses listed in some questions you may believe there is a better answer than those provided  
*canadian pharmacist evaluating examination pebc study guide* - Jul 27 2022

web pebc pharmacist exam sample questions and answers how to prepare for the canadian pebc evaluating exam pebc pharmacist exam and how to pass it free real canadian pebc evaluating exam pebc pharmacist quiz questions at mcreelearningcenter.com exam prep canadian pharmacist evaluating

**practice pebc mcq and osce** - Mar 03 2023

web with over 850 mcq in our question bank and osce cases that cover all 9 competencies our app helps prepare you for the pebc qualifying exams questions are randomized every time you enter the module for unique practice sessions

**pebc exam pebc exam questions** - Oct 30 2022

web jul 17 2019 we offer several pebc exam courses and the best way to get started is to access our free pebc exam question course they are separated into three categories our bronze course which is free and our silver and premium gold courses which are subdivided into the qualifying and evaluating exam and require a subscription

pebc evaluating exam sample question pdf pharmacy scribd - Aug 28 2022

web pebc evaluating exam sample question uploaded by mahyar ro ai enhanced description carotene is the precursor of a retinol b thiamine c calciferol d riboflavin e retinoic acid folic acid has tetrahydrofolate coenzyme activity which is based on the pyrimidine ring purine ring pyrazine ring and pyridine ring copyright

how canadaqbank can help you ace your pebc evaluating exam - Jun 25 2022

web jan 16 2023 if you re preparing for the pharmacy examining board of canada pebc evaluating exam we have good news there are plenty of online resources that can help you prepare in less time in particular canadaqbank has a comprehensive online practice quiz bank that will give you everything you need to feel confident and prepared by test

pebc evaluating exam preparation course - Jun 06 2023

web step 01 national id enroll in pharmacists gateway canada submit pebc document evaluation step 02 pebc id step 03 first exam pass the pebc evaluating exam pass the pebc qualifying mcq exam step 04 second exam step 05 third exam pass the pebc qualifying osce exam ielts bridging course jurisprudence exam and

**pebc qbank preparation practice questions canadaqbank** - Aug 08 2023

web prepare for the pebc ee pharmacy examining board of canada evaluating exam with canadaqbank s comprehensive online question bank access a vast collection of practice questions and study materials to excel in your pharmacy licensing exam

**pebc exam preparation archives canadaqbank** - Mar 23 2022

web jan 16 2023 if you re preparing for the pharmacy examining board of canada pebc evaluating exam we have good news there are plenty of online resources that can help you prepare in less time in particular canadaqbank has a comprehensive online practice quiz bank that will give you everything you need to feel confident and prepared by test day

**sample questions pebc** - Oct 10 2023

web pharmacist evaluating examination sample questions the following sample questions are not intended or designed to be a sample examination and do not represent an exact model of the pharmacist evaluating examination in terms

pebc evaluating exam question bank demo by pharmachieve - Sep 28 2022

web demonstrates pharmachieve s evaluating exam question bank included in the pharmachieve s evaluating exam prep course and also sold seperately

pharmacy examining board of canada pebc exam questions - Nov 30 2022

web this includes over 2 000 pebc sample questions with detailed feedback downloadable resources an online textbook lectures tutor support and specially created tests and exams which are graded automatically so you can easily track your progress includes a money back guarantee if you fail cost 199 99 cad

*pebc evaluating exam prep course pharmachieve* - May 05 2023

web question bank 5 700 questions covering the pebc syllabus and instant feedback on why answers are right wrong comprehensive lecture notes lecture notes summarizing key topics are provided saving you time and effort as you go through the latest syllabus lecture videos lectures are recorded so there is no fear of missing any

*preparing for the examination pebc* - Sep 09 2023

web a syllabus has been compiled to guide candidates preparing for the pebc pharmacist evaluating examination it contains sample outlines of canadian university level pharmacy course material in subject areas considered important to the background knowledge base in the pharmaceutical sciences and preparation for the practice of pharmacy

*evaluating exam pebc how to pass success tips youtube* - Jan 01 2023

web evaluating exam pebc how to pass success tips pharmacist desk 1 03k subscribers subscribe 399 12k views 2 years ago canada skip the video and go to your specific question click on

what is the pebc exam canadaqbank - Feb 19 2022

web apr 22 2022 the pebc exam is a crucial evaluation conducted by the pharmacy examining board of canada pebc discover the purpose structure and significance of this exam in assessing the competence of pharmacy professionals and their eligibility for licensure in canada