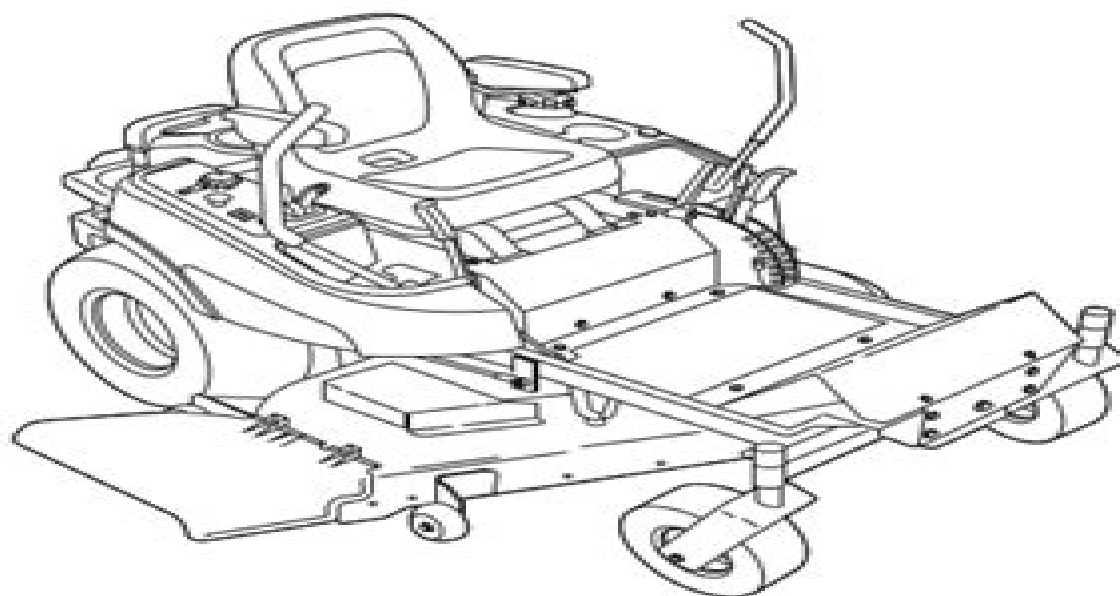


Parts Manual for
SNAPPER

FastCut HYDRO DRIVE ZTR
SERIES 0

MODEL
ZT18440KH
ZT20500BV
EZT20500BV



SNAPPER McDonough, GA, 30253 U.S.A.

Snapper Zt20500bv Manual

Jicheng Xie



Snapper Zt20500bv Manual:

Ignite the flame of optimism with is motivational masterpiece, Fuel Your Spirit with **Snapper Zt20500bv Manual** . In a downloadable PDF format (PDF Size: *), this ebook is a beacon of encouragement. Download now and let the words propel you towards a brighter, more motivated tomorrow.

https://movement.livewellcolorado.org/files/browse/Documents/Sirius_Xm_User_Guide.pdf

Table of Contents Snapper Zt20500bv Manual

1. Understanding the eBook Snapper Zt20500bv Manual
 - The Rise of Digital Reading Snapper Zt20500bv Manual
 - Advantages of eBooks Over Traditional Books
2. Identifying Snapper Zt20500bv Manual
 - Exploring Different Genres
 - Considering Fiction vs. Non-Fiction
 - Determining Your Reading Goals
3. Choosing the Right eBook Platform
 - Popular eBook Platforms
 - Features to Look for in an Snapper Zt20500bv Manual
 - User-Friendly Interface
4. Exploring eBook Recommendations from Snapper Zt20500bv Manual
 - Personalized Recommendations
 - Snapper Zt20500bv Manual User Reviews and Ratings
 - Snapper Zt20500bv Manual and Bestseller Lists
5. Accessing Snapper Zt20500bv Manual Free and Paid eBooks
 - Snapper Zt20500bv Manual Public Domain eBooks
 - Snapper Zt20500bv Manual eBook Subscription Services
 - Snapper Zt20500bv Manual Budget-Friendly Options
6. Navigating Snapper Zt20500bv Manual eBook Formats

- ePub, PDF, MOBI, and More
 - Snapper Zt20500bv Manual Compatibility with Devices
 - Snapper Zt20500bv Manual Enhanced eBook Features
7. Enhancing Your Reading Experience
 - Adjustable Fonts and Text Sizes of Snapper Zt20500bv Manual
 - Highlighting and Note-Taking Snapper Zt20500bv Manual
 - Interactive Elements Snapper Zt20500bv Manual
 8. Staying Engaged with Snapper Zt20500bv Manual
 - Joining Online Reading Communities
 - Participating in Virtual Book Clubs
 - Following Authors and Publishers Snapper Zt20500bv Manual
 9. Balancing eBooks and Physical Books Snapper Zt20500bv Manual
 - Benefits of a Digital Library
 - Creating a Diverse Reading Collection Snapper Zt20500bv Manual
 10. Overcoming Reading Challenges
 - Dealing with Digital Eye Strain
 - Minimizing Distractions
 - Managing Screen Time
 11. Cultivating a Reading Routine Snapper Zt20500bv Manual
 - Setting Reading Goals Snapper Zt20500bv Manual
 - Carving Out Dedicated Reading Time
 12. Sourcing Reliable Information of Snapper Zt20500bv Manual
 - Fact-Checking eBook Content of Snapper Zt20500bv Manual
 - Distinguishing Credible Sources
 13. Promoting Lifelong Learning
 - Utilizing eBooks for Skill Development
 - Exploring Educational eBooks
 14. Embracing eBook Trends
 - Integration of Multimedia Elements
 - Interactive and Gamified eBooks

Snapper Zt20500bv Manual Introduction

Snapper Zt20500bv Manual Offers over 60,000 free eBooks, including many classics that are in the public domain. Open Library: Provides access to over 1 million free eBooks, including classic literature and contemporary works. Snapper Zt20500bv Manual Offers a vast collection of books, some of which are available for free as PDF downloads, particularly older books in the public domain. Snapper Zt20500bv Manual : This website hosts a vast collection of scientific articles, books, and textbooks. While it operates in a legal gray area due to copyright issues, its a popular resource for finding various publications. Internet Archive for Snapper Zt20500bv Manual : Has an extensive collection of digital content, including books, articles, videos, and more. It has a massive library of free downloadable books. Free-eBooks Snapper Zt20500bv Manual Offers a diverse range of free eBooks across various genres. Snapper Zt20500bv Manual Focuses mainly on educational books, textbooks, and business books. It offers free PDF downloads for educational purposes. Snapper Zt20500bv Manual Provides a large selection of free eBooks in different genres, which are available for download in various formats, including PDF. Finding specific Snapper Zt20500bv Manual, especially related to Snapper Zt20500bv Manual, might be challenging as theyre often artistic creations rather than practical blueprints. However, you can explore the following steps to search for or create your own Online Searches: Look for websites, forums, or blogs dedicated to Snapper Zt20500bv Manual, Sometimes enthusiasts share their designs or concepts in PDF format. Books and Magazines Some Snapper Zt20500bv Manual books or magazines might include. Look for these in online stores or libraries. Remember that while Snapper Zt20500bv Manual, sharing copyrighted material without permission is not legal. Always ensure youre either creating your own or obtaining them from legitimate sources that allow sharing and downloading. Library Check if your local library offers eBook lending services. Many libraries have digital catalogs where you can borrow Snapper Zt20500bv Manual eBooks for free, including popular titles. Online Retailers: Websites like Amazon, Google Books, or Apple Books often sell eBooks. Sometimes, authors or publishers offer promotions or free periods for certain books. Authors Website Occasionally, authors provide excerpts or short stories for free on their websites. While this might not be the Snapper Zt20500bv Manual full book , it can give you a taste of the authors writing style. Subscription Services Platforms like Kindle Unlimited or Scribd offer subscription-based access to a wide range of Snapper Zt20500bv Manual eBooks, including some popular titles.

FAQs About Snapper Zt20500bv Manual Books

How do I know which eBook platform is the best for me? Finding the best eBook platform depends on your reading preferences and device compatibility. Research different platforms, read user reviews, and explore their features before making a choice. Are free eBooks of good quality? Yes, many reputable platforms offer high-quality free eBooks, including

classics and public domain works. However, make sure to verify the source to ensure the eBook credibility. Can I read eBooks without an eReader? Absolutely! Most eBook platforms offer web-based readers or mobile apps that allow you to read eBooks on your computer, tablet, or smartphone. How do I avoid digital eye strain while reading eBooks? To prevent digital eye strain, take regular breaks, adjust the font size and background color, and ensure proper lighting while reading eBooks. What the advantage of interactive eBooks? Interactive eBooks incorporate multimedia elements, quizzes, and activities, enhancing the reader engagement and providing a more immersive learning experience. Snapper Zt20500bv Manual is one of the best book in our library for free trial. We provide copy of Snapper Zt20500bv Manual in digital format, so the resources that you find are reliable. There are also many Ebooks of related with Snapper Zt20500bv Manual. Where to download Snapper Zt20500bv Manual online for free? Are you looking for Snapper Zt20500bv Manual PDF? This is definitely going to save you time and cash in something you should think about.

Find Snapper Zt20500bv Manual :

sirius xm user guide

sixth grade compare and contrast essay

sitrain training for automation and drives

singer model 384 manual

singer 2802 2852 sewing machine service manualwhy

skeleton bones cut out template

singer model 211w151 manual

singer featherweight 324 sewing machine manual

single variable calculus early transcendentals 7th edition solution manual

sissy simona force dressed by two girls

sjune 2013 answer

singer sewing manual 2502

singer sewing machine 750 manual

sir dudley tinklebutton and the dragon s lair

siswati grade 1exams 2013

Snapper Zt20500bv Manual :

Foreign Relations of the United States, 1949, The Far East: ... The China White Paper was released by the Department at 12 noon, August 5, as ... August 15, 1949, page 237. The statement issued by the Secretary of State ... China White Paper The China White Paper is the common name for United States Relations with China, with Special Reference to the Period 1944-1949, published in August 1949 by ... The China White Paper: August 1949 - U. S. Department of ... U. S. Department of State Introduction by Lyman P. Van Slyke. BUY THIS BOOK. 1967 1124 pages. \$65.00. Paperback ISBN: 9780804706087. Google Book Preview. The Failure of the China White Paper - Digital Commons @ IWU by WA Rintz · 2009 · Cited by 8 — Abstract. The China White Paper, released by the Truman administration in 1949, aimed to absolve the U.S. government of responsibility for the loss of China ... Dean Acheson's 'White Paper' on China (1949) Published in early August 1949, it outlined the situation in China, detailed American involvement and assistance to the Chinese and suggested reasons for the ... Publication of China White Paper Work was under way in April 1949 (026 China/4-2749). A memorandum of May 21 ... Canton, August 10, 1949—2 p. m. [Received August 13—6:12 a. m.]. 893.00/8 ... The China White Paper: August 1949 - U. S. Department of ... U. S. Department of State Introduction by Lyman P. Van Slyke. BUY THIS BOOK. 1967 1124 pages. \$65.00. Paperback ISBN: 9780804706087. Google Book Preview. The China White Paper: August 1949 Book details · Print length. 1086 pages · Language. English · Publisher. Stanford University Press · Publication date. December 1, 1967 · ISBN-10. 0804706077. Full text of "The China White Paper 1949" Full text of "The China White Paper 1949". See other formats. SP 63 / Two volumes, \$7.50 a set CHINA WHITE PAPER August 1949 VOLUME I Originally Issued as ... The China White Paper: August 1949 A Stanford University Press classic. Soils And Foundations Solution Manual 7th Edition. Author: Jack B Evett, Jack Evett Ph D, Cheng Liu. 160 solutions ... How is Chegg Study better than a printed Soils and Foundations student solution ... Craig's Soil Mechanics Seventh Edition Solutions Manual Edition Solutions Manual. R.F. Craig. Formerly. Department of Civil Engineering ... (b) The foundation is drawn on Newmark's chart as shown in Figure Q5.4, the ... Craig's Soil Mechanics Solutions Manual 7th Ed (CS) Craig's Soil Mechanics Solutions Manual 7th Ed (CS) ; First published 1992 ; by E & FN Spon, an imprint of Thomson Professional ; Second edition 1997 ; Third ... Solutions manual for soils and foundations 8th edition by ... May 1, 2018 — Solutions Manual for Soils and Foundations 8th Edition by Liu IBSN 9780135113905 Full clear download(no error formatting) at: ... Soils and Foundations (Solutions Manual): Cheng Liu Filled with worked examples, step-by-step solutions, and hands-on practice problems, it emphasizes design and practical applications supported by basic theory. (PDF) Craig's Soil Mechanics Solutions 7ed Manual Chapter 1 Basic characteristics of soils 1.1 Soil E consists of 98% coarse material (31% gravel size; 67% sand size) and 2% fines. It is classified as SW: well- ... Principles of Geotechnical Engineering+Solution manual ... Soil is used as a construction material in various civil engineering projects, and it supports structural foundations. Thus, civil engineers must study the ... Solution Manual Vol 7 - Craig's Soil

Mechanics Seventh... View Notes - Solution Manual Vol 7 from CVEN 3718 at University of Colorado, Boulder. Craig's Soil Mechanics Seventh Edition Solutions Manual Craig's Soil ... Soils and Foundations - 7th Edition - Solutions and Answers Find step-by-step solutions and answers to Soils and Foundations - 9780132221382, as well as thousands of textbooks so you can move forward with confidence. Soil Mechanics And Foundations Solution Manual solutions manual Soil Mechanics and Foundations Budhu 3rd edition Delivery is INSTANT. Chapter 1 Introduction to Soil Mechanics and Foundations. <http://www.LateralThinking.com> Lateral Thinking: A Textbook of Creativity Lateral thinking is all about freeing up your imagination. Through a series of special techniques, in groups or working alone, Edward de Bono shows us how to ... Lateral Thinking: Creativity Step by Step - Amazon.com Where vertical thinking seeks to find one answer, lateral thinking aims to find as many alternatives as possible, no matter how silly the alternatives may ... Lateral Thinking by Edward de Bono According to Bono, lateral thinking is creative and relies on 'thinking in an explorative manner to find different possibilities'. Vertical thinking is ... Lateral Thinking by E de Bono · Cited by 2964 — A Textbook of Creativity. Penguin Books. Page 2. ABC Amber ePub Converter Trial ... Lateral thinking is closely related to creativity. But whereas creativity is. Is Edward de Bono's Lateral Thinking worth a read? May 18, 2013 — His proposition is that it is possible to learn how to think. He has authored many books about creativity. Lateral Thinking By Edward De Bono 37.epub In his book Lateral Thinking: A Textbook of Creativity, de Bono explains the theory and practice of lateral thinking, and provides a series of techniques and ... Lateral Thinking: A Textbook of Creativity - Edward de Bono THE classic work about improving creativity from world-renowned writer and philosopher Edward de Bono. In schools we are taught to meet problems head-on: ... LATERAL THINKING A Textbook of Creativity New York: Harper & Row, 1970. 1st U.S. Edition; First Printing. Hardcover. Item #169317 ISBN: 0060110074 Very Good+ in a Very Good+ dust jacket. ; 9.3 X 6.4 ... List of books by author Edward de Bono Looking for books by Edward de Bono? See all books authored by Edward de Bono, including Six Thinking Hats, and Lateral Thinking: A Textbook of Creativity, ...