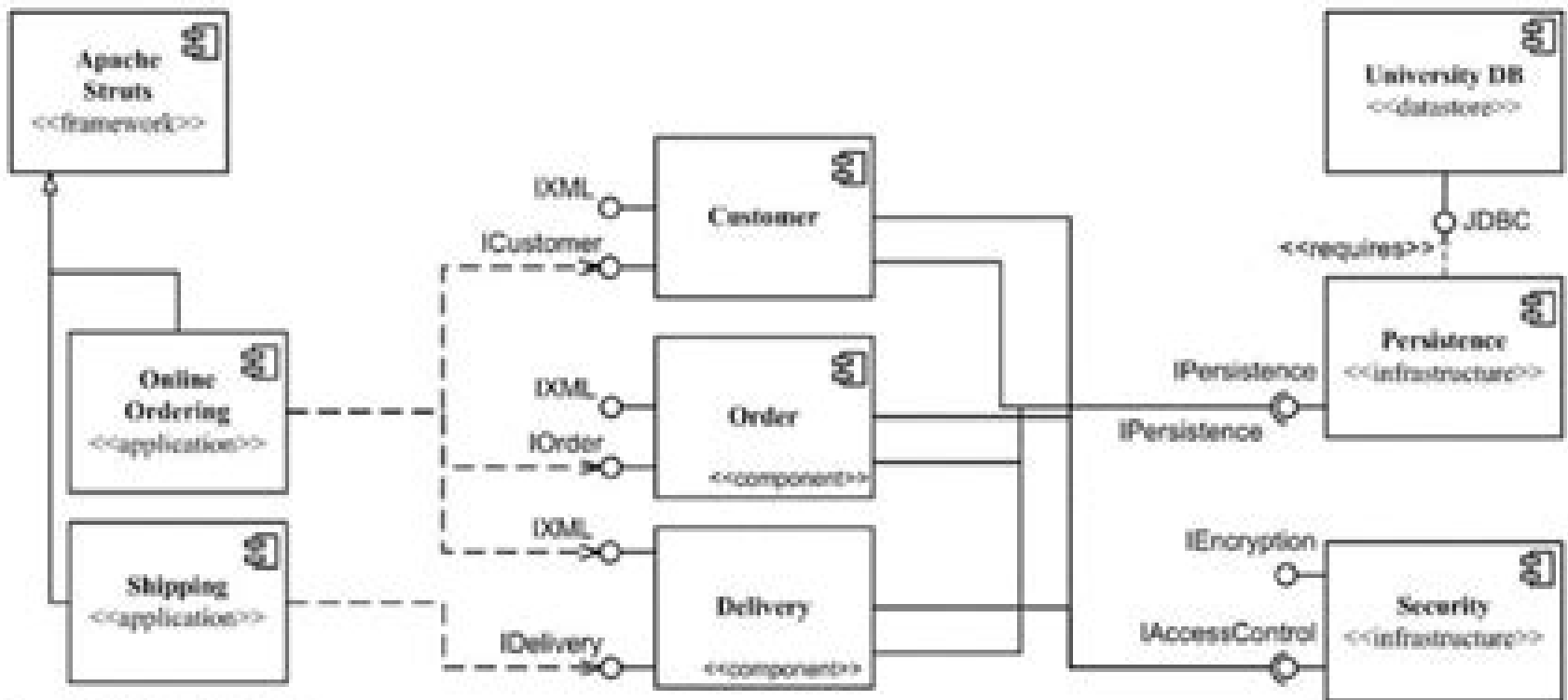


Component diagram



What Are The Component Of Diagram

**Roberto E. Lopez-Herrejon, Jabier
Martinez, Wesley Klewerton Guez
Assunção, Tewfik Ziadi, Mathieu
Acher, Silvia Vergilio**

What Are The Component Of Diagram:

Sams Teach Yourself UML in 24 Hours Joseph Schmuller, 2004 Learn UML the Unified Modeling Language to create diagrams describing the various aspects and uses of your application before you start coding to ensure that you have everything covered Millions of programmers in all languages have found UML to be an invaluable asset to their craft More than 50 000 previous readers have learned UML with Sams Teach Yourself UML in 24 Hours Expert author Joe Schmuller takes you through 24 step by step lessons designed to ensure your understanding of UML diagrams and syntax This updated edition includes the new features of UML 2 0 designed to make UML an even better modeling tool for modern object oriented and component based programming The CD ROM includes an electronic version of the book and Poseidon for UML Community Edition 2 2 a popular UML modeling tool you can use with the lessons in this book to create UML diagrams immediately

Learn UML in 24 Hours Alex Nordeen, 2020-10-31 UML stands for Unified Modeling Language used for creating object oriented meaningful documentation models for any software system present It provides us a way to develop rich models that describe the working of any software hardware systems UML serves a great way of creating professional documentation which is a necessary part of any project development Here is what is covered in the book

Chapter 1 UML Diagrams Versions Types History Tools Examples

- 1 What is UML
- 2 Why use UML
- Complete History
- 3 UML Versions
- 4 Characteristics of UML
- 5 Conceptual model
- 6 UML Diagrams
- 7 UML Tools

Chapter 2 UML Notation Tutorial Symbol with Examples

- 1 What is a model
- 2 UML Building Blocks
- 3 Things
- 4 Relationships
- 5 Diagrams

Chapter 3 UML Relationships with EXAMPLE

- Dependency
- Generalization
- Realization
- 1 Association
- 2 Dependency
- 3 Generalization
- 4 Realization
- 5 Composition
- 6 Aggregation

Chapter 4 UML Association vs Aggregation vs Composition with EXAMPLE

- 1 Association
- 2 Composition
- 3 Aggregation
- 4 Association vs Aggregation vs Composition

Chapter 5 UML Class Diagram Tutorial with Examples

- 1 What is Class
- 2 What is Class Diagram
- 3 Benefits of Class Diagram
- 4 Essential elements of A UML class diagram
- 5 Aggregation vs Composition
- 6 Abstract Classes
- 7 Example of UML Class Diagram
- 8 Class Diagram in Software Development Lifecycle
- 9 Best practices of Designing of the Class Diagram

Chapter 6 What is UML Object Diagram Tutorial with Example

- 1 What is a Class Diagram
- 2 What is an Object Diagram
- 3 How to draw an object diagram
- 4 Purpose of an object diagram
- 5 Applications of Object Diagrams
- 6 Class vs Object Diagrams

Chapter 7 UML Use Case Diagram Tutorial with EXAMPLE

- 1 What is the Use Case Diagram
- 2 Why Use Case diagram
- 3 Use case diagram notations
- 4 How to draw a use case diagram
- 5 Tips for drawing a use case diagram
- 6 An example of a use case diagram
- 7 When to use a use case diagram

Chapter 8 State Machine Diagram UML Tutorial with EXAMPLE

- 1 What is a State Machine Diagram
- 2 Why State Machine Diagram
- 3 Notation and Symbol for State Machine
- 4 Types of State
- 5 How to draw a Statechart diagram
- 6 When to use State Diagrams
- 7 Example of State Machine
- 8 State machine vs Flowchart

Chapter 9 UML Activity Diagram What is Components Symbol EXAMPLE

- 1 What is an Activity Diagram
- 2 Components of Activity Diagram
- 3 Why use Activity Diagrams
- 4 Activity Diagram Notations
- 5 How to

draw an activity diagram 6 Example of Activity Diagram 7 When Use Activity Diagram Chapter 10 Interaction Collaboration Sequence Diagrams with EXAMPLES 1 What is Interaction diagram 2 Purpose of an Interaction Diagram 3 Important terminology 4 Types of Interaction diagram and Notations 5 Sequence Diagram 6 What is the Collaboration diagram 7 Timing diagram 8 How to draw a Interaction diagram 9 Use of an interaction diagram Chapter 11 Component Diagram UML Tutorial with EXAMPLE 1 What is Component Diagram 2 Component diagram Notations 3 What is a Component 4 Why use Component Diagram 5 When to use Component Diagram 6 How to draw a component diagram 7 Example of a component diagram Chapter 12 Deployment Diagram UML Tutorial with EXAMPLE 1 What is Deployment Diagram 2 Purpose of a deployment diagram 3 Deployment Diagram Symbol and notations 4 What is an artifact 5 What is a node 6 How to draw a deployment diagram 7 Example of a Deployment diagram 8 When to use a deployment diagram Click the BUY button now and download the book now to start learning UML Learn it fast and learn it well Pick up your copy today by clicking the BUY NOW button at the top of this page

UML in a Nutshell Sinan Si Alhir,1998 The Unified Modeling Language UML for the first time in the history of systems engineering gives practitioners a common language This concise quick reference explains how to use each component of the language including its extension mechanisms and the Object Constraint Language OCL

Formal Aspects of Component Software Farhad Arbab,Peter Csaba Ölveczky,2012-12-15 This book constitutes revised selected papers of the 8th International Workshop on Formal Aspects of Component Software FACS 2011 held in Oslo Norway in September 2011 The 18 full papers presented together with 3 invited talks were carefully reviewed and selected from 46 submissions They cover the topics of formal models for software components and their interaction design and verification methods for software components and services formal methods and modeling languages for components and services industrial or experience reports and case studies autonomic components and self managed applications models for QoS and other extra functional properties e g trust compliance security of components and services formal and rigorous approaches to software adaptation and self adaptive systems and components for real time safety critical secure and or embedded systems

Component-Based Software Testing with UML Hans-Gerhard Gross,2005 Component based software development regards software construction in terms of conventional engineering disciplines where the assembly of systems from readily available prefabricated parts is the norm Because both component based systems themselves and the stakeholders in component based development projects are different from traditional software systems component based testing also needs to deviate from traditional software testing approaches Gross first describes the specific challenges related to component based testing like the lack of internal knowledge of a component or the usage of a component in diverse contexts He argues that only built in contract testing a test organization for component based applications founded on building test artifacts directly into components can prevent catastrophic failures like the one that caused the now famous ARIANE 5 crash in 1996 Since building testing into components has implications for component development built in

contract testing is integrated with and made to complement a model driven development method Here UML models are used to derive the testing architecture for an application the testing interfaces and the component testers The method also provides a process and guidelines for modeling and developing these artifacts This book is the first comprehensive treatment of the intricacies of testing component based software systems With its strong modeling background it appeals to researchers and graduate students specializing in component based software engineering Professionals architecting and developing component based systems will profit from the UML based methodology and the implementation hints based on the XUnit and JUnit frameworks

Visio 2007 Bible Bonnie Biafore,2007-03-07 Whether you re designing a network a business plan or an office building Visio 2007 can transform your vision into sophisticated diagrams and drawings and this comprehensive reference shows you how You ll discover how to use Visio for IT architecture engineering and business projects explore the new features of Visio 2007 learn to publish Visio diagrams to the Web and much more If you want to develop your skills in Visio this is the book you need to succeed

Object-Oriented Analysis and Design Through Unified Modeling Language Gandharba Swain,2010 This book adheres to the B Tech and MCA syllabus of JNT University Hyderabad and many other Indian universities The first two chapters represent the fundamentals of object technology OOP and OOAD and how people are inclined towards object oriented analysis and design starting from traditional approach and the different approaches suggested by the three pioneers Booch Rum Baugh and Jacobson Chapters 3 to 18 represent the UML language the building blocks of UML i e things relationships and diagrams and the use of each diagram with an example Chapters 19 and 20 discuss a case study Library Management System In this study one can get a very clear idea what object oriented analysis and design is and how UML is to be used for that purpose Appendix A discusses the different syntactic notations of UML and Appendix B discusses how the three approaches of Booch Rum Baugh and Jacobson are unified and the Unified Process

Graph Drawing Marc van Kreveld,Bettina Speckmann,2011-12-16 This volume constitutes the refereed proceedings of the 19th International Symposium on Graph Drawing GD 2010 held in Eindhoven The Netherlands during September 2011 The 34 revised full papers presented together with 3 revised short and 6 poster papers were carefully reviewed and selected from 88 submissions Furthermore the proceedings contain the abstracts of two invited talks and to commemorate Kozo Sugiyama and his pioneering research in graph drawing the proceedings include an obituary A unique and fun part of the symposium is the Graph Drawing Contest which is part of the Graph Drawing Challenge This year was the 18th edition A report on the contest is included at the end of the proceedings

Netcentric System of Systems Engineering with DEVS Unified Process Saurabh Mittal,José L. Risco Martín,2018-09-03 In areas such as military security aerospace and disaster management the need for performance optimization and interoperability among heterogeneous systems is increasingly important Model driven engineering a paradigm in which the model becomes the actual software offers a promising approach toward systems of systems SoS engineering However model driven engineering

has largely been unachieved in complex dynamical systems and netcentric SoS partly because modeling and simulation M S frameworks are stove piped and not designed for SoS composability Addressing this gap Netcentric System of Systems Engineering with DEVS Unified Process presents a methodology for realizing the model driven engineering vision and netcentric SoS using DEVS Unified Process DUNIP The authors draw on their experience with Discrete Event Systems Specification DEVS formalism System Entity Structure SES theory and applying model driven engineering in the context of a netcentric SoS They describe formal model driven engineering methods for netcentric M S using standards based approaches to develop and test complex dynamic models with DUNIP The book is organized into five sections Section I introduces undergraduate students and novices to the world of DEVS It covers systems and SoS M S as well as DEVS formalism software modeling language and DUNIP It also assesses DUNIP with the requirements of the Department of Defense s DoD Open Unified Technical Framework OpenUTF for netcentric Test and Evaluation T E Section II delves into M S based systems engineering for graduate students advanced practitioners and industry professionals It provides methodologies to apply M S principles to SoS design and reviews the development of executable architectures based on a framework such as the Department of Defense Architecture Framework DoDAF It also describes an approach for building netcentric knowledge based contingency driven systems Section III guides graduate students advanced DEVS users and industry professionals who are interested in building DEVS virtual machines and netcentric SoS It discusses modeling standardization the deployment of models and simulators in a netcentric environment event driven architectures and more Section IV explores real world case studies that realize many of the concepts defined in the previous chapters Section V outlines the next steps and looks at how the modeling of netcentric complex adaptive systems can be attempted using DEVS concepts It touches on the boundaries of DEVS formalism and the future work needed to utilize advanced concepts like weak and strong emergence self organization scale free systems run time modularity and event interoperability This groundbreaking work details how DUNIP offers a well structured platform independent methodology for the modeling and simulation of netcentric system of systems **SDL**

2001: Meeting UML Rick Reed, Jeanne Reed, 2003-06-29 This volume contains the papers presented at the Tenth SDL Forum Cop hagen SDL is the Speci cation and Description Language rst standardized by the world telecommunications body the International Telecommunications Union ITU more than 20 years ago in 1976 While the original language and domain of application has evolved signi cantly the foundations of SDL as a graphical state transition and process communication language for real time systems have remained Today SDL has also grown to be one notation in the set of uni ed modelling languages recommended by the ITU ASN 1 MSC SDL ODL and TTCN that can be used in methodology taking engineering of systems from requirements capture through to testing and operation The SDL Forum is held every two years and has become the most imp tant event in the calendar for anyone involved in SDL and related languages and technology The SDL Forum Society that runs the Forum is a non pro t organization whose aim it is to promote and develop these languages

Model-Based Software Performance Analysis Vittorio Cortellessa, Antiniscia Di Marco, Paola Inverardi, 2011-05-05

Poor performance is one of the main quality related shortcomings that cause software projects to fail. Thus the need to address performance concerns early during the software development process is fully acknowledged and there is a growing interest in the research and software industry communities towards techniques, methods, and tools that permit to manage system performance concerns as an integral part of software engineering. Model based software performance analysis introduces performance concerns in the scope of software modeling, thus allowing the developer to carry on performance analysis throughout the software lifecycle. With this book Cortellessa, Di Marco, and Inverardi provide the cross knowledge that allows developers to tackle software performance issues from the very early phases of software development. They explain the basic concepts of performance analysis and describe the most representative methodologies used to annotate and transform software models into performance models. To this end, they go all the way from performance primers through software and performance modeling notations to the latest transformation based methodologies. As a result, their book is a self-contained reference text on software performance engineering from which different target groups will benefit.

professional software engineers and graduate students in software engineering will learn both basic concepts of performance modeling and new methodologies, while performance specialists will find out how to investigate software performance model building.

Object Oriented Analysis and Design Mr. Rohit Manglik, 2024-03-13 EduGorilla Publication is a trusted name in the education sector committed to empowering learners with high quality study materials and resources. Specializing in competitive exams and academic support, EduGorilla provides comprehensive and well-structured content tailored to meet the needs of students across various streams and levels.

Handbook of Re-Engineering Software Intensive Systems into Software Product Lines Roberto E. Lopez-Herrejon, Jabier Martinez, Wesley Klewerton Guez Assunção, Tewfik Ziadi, Mathieu Acher, Silvia Vergilio, 2022-11-22 This handbook distills the wealth of expertise and knowledge from a large community of researchers and industrial practitioners in Software Product Lines (SPLs) gained through extensive and rigorous theoretical, empirical, and applied research. It is a timely compilation of well-established and cutting-edge approaches that can be leveraged by those facing the prevailing and daunting challenge of re-engineering their systems into SPLs. The selection of chapters provides readers with a wide and diverse perspective that reflects the complementary and varied expertise of the chapter authors. This perspective covers the re-engineering processes from planning to execution. SPLs are families of systems that share common assets, allowing a disciplined software reuse. The adoption of SPL practices has shown to enable significant technical and economic benefits for the companies that employ them. However, successful SPLs rarely start from scratch but instead they usually start from a set of existing systems that must undergo well-defined re-engineering processes to unleash new levels of productivity and competitiveness. Practitioners will benefit from the lessons learned by the community captured in the array of methodological and technological alternatives presented in the chapters of the handbook.

and will gain the confidence for undertaking their own re engineering challenges Researchers and educators will find a valuable single entry point to quickly become familiar with the state of the art on the topic and the open research opportunities including undergraduate graduate students and R D engineers who want to have a comprehensive understanding of techniques in reverse engineering and re engineering of variability rich software systems

Foundations of Software Engineering Ashfaque Ahmed,Bhanu Prasad,2016-08-25 The best way to learn software engineering is by understanding its core and peripheral areas Foundations of Software Engineering provides in depth coverage of the areas of software engineering that are essential for becoming proficient in the field The book devotes a complete chapter to each of the core areas Several peripheral areas are also explained by assigning a separate chapter to each of them Rather than using UML or other formal notations the content in this book is explained in easy to understand language Basic programming knowledge using an object oriented language is helpful to understand the material in this book The knowledge gained from this book can be readily used in other relevant courses or in real world software development environments This textbook educates students in software engineering principles It covers almost all facets of software engineering including requirement engineering system specifications system modeling system architecture system implementation and system testing Emphasizing practical issues such as feasibility studies this book explains how to add and develop software requirements to evolve software systems This book was written after receiving feedback from several professors and software engineers What resulted is a textbook on software engineering that not only covers the theory of software engineering but also presents real world insights to aid students in proper implementation Students learn key concepts through carefully explained and illustrated theories as well as concrete examples and a complete case study using Java Source code is also available on the book s website The examples and case studies increase in complexity as the book progresses to help students build a practical understanding of the required theories and applications

[Solution Architecture with .NET](#) Jamil Hallal,2021-08-27 Learn about the responsibilities of a NET solution architect and explore solution architecture principles DevOps solutions and design techniques and standards with hands on examples of design patterns Key FeaturesFind out what are the essential personality traits and responsibilities of a solution architectBecome well versed with architecture principles and modern design patterns with hands on examplesDesign modern web solutions and make the most of Azure DevOps to automate your development life cycleBook Description Understanding solution architecture is a must to build and integrate robust systems to meet your client s needs This makes it crucial for a professional NET software engineer to learn the key skills of a NET solution architect to create a unique digital journey and build solutions for a wide range of industries from strategy and design to implementation With this handbook developers working with the NET technology will be able to put their knowledge to work The book takes a hands on approach to help you become an effective solution architect You ll start by learning the principles of the software development life cycle SDLC

the roles and responsibilities of a NET solution architect and what makes a great NET solution architect As you make progress through the chapters you ll understand the principles of solution architecture and how to design a solution and explore designing layers and microservices You ll complete your learning journey by uncovering modern design patterns and techniques for designing and building digital solutions By the end of this book you ll have learned how to architect your modern web solutions with ASP NET Core and Microsoft Azure and be ready to automate your development life cycle with Azure DevOps What you will learn Understand the role and core responsibilities of a NET solution architect Study popular UML Unified Modeling Language diagrams for solution architecture Work with modern design patterns with the help of hands on examples Become familiar with microservices and designing layers Discover how to design modern web solutions Automate your development life cycle with Azure DevOps Who this book is for This book is for intermediate and advanced NET developers and software engineers who want to advance their careers and expand their knowledge of solution architecture and design principles Beginner or intermediate level solution architects looking for tips and tricks to build large scale NET solutions will find this book useful

Verification and Validation for Quality of UML 2.0 Models Bhuvan Unhelkar, 2005-09-01 A practical approach to enhancing quality in software models using UML Version 2 0 Despite its increasing usage many companies are not taking the best advantage of UML and occasionally individuals have experienced frustration in applying its standards Perhaps this is because they have not yet read this book From the Foreword by Prof Brian Henderson Sellers This book presents a practical checklist approach to enhancing the quality of software models created with the Unified Modeling Language UML Version 2 0 The foundation for quality is set by the discussion on the nature and creation of UML models This is followed by a demonstration of how to apply verification and validation checks to these models with three foci syntactical correctness semantic meaningfulness and aesthetic symmetry The quality work is carried out within three distinct yet related modeling spaces Model of problem space MOPS Model of solution space MOSS Model of background space MOBS Readers can then choose a specific quality approach according to their roles in their projects Verification and validation checks are also organized according to these three modeling spaces making it easier for the reader to focus on the appropriate diagrams and quality checks corresponding to their modeling space In addition a major element of this publication is the Strengths Weaknesses Objectives and Traps SWOT analysis This analysis is performed on each UML diagram enabling readers to fully comprehend these diagrams their advantages and limitations and the way in which they can be used in practical projects for modeling A consistent case study of the Lucky Insurance System is provided throughout the chapters to illustrate the creation of good quality UML diagrams followed by application of quality checks to them With its emphasis on quality in UML based projects this book is an essential resource for all quality professionals including quality analysts process consultants quality managers test designers and testers *Software Engineering with UML* Bhuvan Unhelkar, 2017-12-14 This book presents the analysis design documentation and quality of

software solutions based on the OMG UML v2.5. Notably it covers 14 different modelling constructs including use case diagrams, activity diagrams, business level class diagrams, corresponding interaction diagrams, and state machine diagrams. It presents the use of UML in creating a Model of the Problem Space (MOPS), Model of the Solution Space (MOSS), and Model of the Architectural Space (MOAS). The book touches important areas of contemporary software engineering ranging from how a software engineer needs to invariably work in an Agile development environment through to the techniques to model a Cloud based solution.

Software Engineering Research and Applications C.V. Ramamoorthy, Roger Y. Lee, Kyung Whan Lee, 2004-04-30. This book constitutes the thoroughly refereed post proceedings of the First International Conference on Software Engineering Research and Applications (SERA 2003) held in San Francisco, CA, USA in June 2003. The 23 revised full papers presented were carefully selected from 104 initial submissions during two rounds of reviewing and improvement. The papers are organized in topical sections on formal methods, component based software engineering, software quality, requirements engineering, reengineering, and performance analysis, knowledge discovery, and artificial intelligence, and database retrieval and human computer interaction.

Proceedings of the Eighteenth Annual Conference of the Cognitive Science Society Garrison W. Cottrell, 2019-02-21. This volume features the complete text of all regular papers, posters, and summaries of symposia presented at the 18th annual meeting of the Cognitive Science Society. Papers have been loosely grouped by topic and an author index is provided in the back. In hopes of facilitating searches of this work, an electronic index on the Internet's World Wide Web is provided. Titles, authors, and summaries of all the papers published here have been placed in an online database which may be freely searched by anyone. You can reach the Web site at <http://www.cse.ucsd.edu/events/cogsci96/proceedings>. You may view the table of contents for this volume on the LEA Web site at <http://www.era.com>.

Theory and Practice of Computation Shin-ya Nishizaki, Masayuki Numao, Merlin Suarez, Jaime Caro, 2020-12-10. This book provides a collection of papers from the Ninth Workshop on Computing Theory and Practice (WCTP 2019) devoted to theoretical and practical approaches to computation, which was organized by four top universities in Japan and the Philippines: Tokyo Institute of Technology, Osaka University, the University of the Philippines Diliman, and De La Salle University. The proceedings provide a broad overview of recent research trends in computer science research in Asia, particularly in these two countries. The papers included in the proceedings focus on both theoretical and practical aspects of computations, such as programming language theory, modeling of software systems, applications of machine learning, empathic computing, and various applications of information technology.

When somebody should go to the book stores, search launch by shop, shelf by shelf, it is in point of fact problematic. This is why we allow the book compilations in this website. It will extremely ease you to look guide **What Are The Component Of Diagram** as you such as.

By searching the title, publisher, or authors of guide you in reality want, you can discover them rapidly. In the house, workplace, or perhaps in your method can be all best place within net connections. If you endeavor to download and install the What Are The Component Of Diagram, it is categorically simple then, past currently we extend the partner to purchase and make bargains to download and install What Are The Component Of Diagram for that reason simple!

https://movement.livewellcolorado.org/files/publication/HomePages/wizard_rototiller_parts_manual.pdf

Table of Contents What Are The Component Of Diagram

1. Understanding the eBook What Are The Component Of Diagram
 - The Rise of Digital Reading What Are The Component Of Diagram
 - Advantages of eBooks Over Traditional Books
2. Identifying What Are The Component Of Diagram
 - Exploring Different Genres
 - Considering Fiction vs. Non-Fiction
 - Determining Your Reading Goals
3. Choosing the Right eBook Platform
 - Popular eBook Platforms
 - Features to Look for in an What Are The Component Of Diagram
 - User-Friendly Interface
4. Exploring eBook Recommendations from What Are The Component Of Diagram
 - Personalized Recommendations
 - What Are The Component Of Diagram User Reviews and Ratings
 - What Are The Component Of Diagram and Bestseller Lists

5. Accessing What Are The Component Of Diagram Free and Paid eBooks
 - What Are The Component Of Diagram Public Domain eBooks
 - What Are The Component Of Diagram eBook Subscription Services
 - What Are The Component Of Diagram Budget-Friendly Options
6. Navigating What Are The Component Of Diagram eBook Formats
 - ePub, PDF, MOBI, and More
 - What Are The Component Of Diagram Compatibility with Devices
 - What Are The Component Of Diagram Enhanced eBook Features
7. Enhancing Your Reading Experience
 - Adjustable Fonts and Text Sizes of What Are The Component Of Diagram
 - Highlighting and Note-Taking What Are The Component Of Diagram
 - Interactive Elements What Are The Component Of Diagram
8. Staying Engaged with What Are The Component Of Diagram
 - Joining Online Reading Communities
 - Participating in Virtual Book Clubs
 - Following Authors and Publishers What Are The Component Of Diagram
9. Balancing eBooks and Physical Books What Are The Component Of Diagram
 - Benefits of a Digital Library
 - Creating a Diverse Reading Collection What Are The Component Of Diagram
10. Overcoming Reading Challenges
 - Dealing with Digital Eye Strain
 - Minimizing Distractions
 - Managing Screen Time
11. Cultivating a Reading Routine What Are The Component Of Diagram
 - Setting Reading Goals What Are The Component Of Diagram
 - Carving Out Dedicated Reading Time
12. Sourcing Reliable Information of What Are The Component Of Diagram
 - Fact-Checking eBook Content of What Are The Component Of Diagram
 - Distinguishing Credible Sources
13. Promoting Lifelong Learning

- Utilizing eBooks for Skill Development
 - Exploring Educational eBooks
14. Embracing eBook Trends
- Integration of Multimedia Elements
 - Interactive and Gamified eBooks

What Are The Component Of Diagram Introduction

In today's digital age, the availability of What Are The Component Of Diagram books and manuals for download has revolutionized the way we access information. Gone are the days of physically flipping through pages and carrying heavy textbooks or manuals. With just a few clicks, we can now access a wealth of knowledge from the comfort of our own homes or on the go. This article will explore the advantages of What Are The Component Of Diagram books and manuals for download, along with some popular platforms that offer these resources. One of the significant advantages of What Are The Component Of Diagram books and manuals for download is the cost-saving aspect. Traditional books and manuals can be costly, especially if you need to purchase several of them for educational or professional purposes. By accessing What Are The Component Of Diagram versions, you eliminate the need to spend money on physical copies. This not only saves you money but also reduces the environmental impact associated with book production and transportation. Furthermore, What Are The Component Of Diagram books and manuals for download are incredibly convenient. With just a computer or smartphone and an internet connection, you can access a vast library of resources on any subject imaginable. Whether you're a student looking for textbooks, a professional seeking industry-specific manuals, or someone interested in self-improvement, these digital resources provide an efficient and accessible means of acquiring knowledge. Moreover, PDF books and manuals offer a range of benefits compared to other digital formats. PDF files are designed to retain their formatting regardless of the device used to open them. This ensures that the content appears exactly as intended by the author, with no loss of formatting or missing graphics. Additionally, PDF files can be easily annotated, bookmarked, and searched for specific terms, making them highly practical for studying or referencing. When it comes to accessing What Are The Component Of Diagram books and manuals, several platforms offer an extensive collection of resources. One such platform is Project Gutenberg, a nonprofit organization that provides over 60,000 free eBooks. These books are primarily in the public domain, meaning they can be freely distributed and downloaded. Project Gutenberg offers a wide range of classic literature, making it an excellent resource for literature enthusiasts. Another popular platform for What Are The Component Of Diagram books and manuals is Open Library. Open Library is an initiative of the Internet Archive, a non-profit organization dedicated to digitizing cultural artifacts and making them accessible to the public. Open Library hosts millions of books, including both public domain works

and contemporary titles. It also allows users to borrow digital copies of certain books for a limited period, similar to a library lending system. Additionally, many universities and educational institutions have their own digital libraries that provide free access to PDF books and manuals. These libraries often offer academic texts, research papers, and technical manuals, making them invaluable resources for students and researchers. Some notable examples include MIT OpenCourseWare, which offers free access to course materials from the Massachusetts Institute of Technology, and the Digital Public Library of America, which provides a vast collection of digitized books and historical documents. In conclusion, What Are The Component Of Diagram books and manuals for download have transformed the way we access information. They provide a cost-effective and convenient means of acquiring knowledge, offering the ability to access a vast library of resources at our fingertips. With platforms like Project Gutenberg, Open Library, and various digital libraries offered by educational institutions, we have access to an ever-expanding collection of books and manuals. Whether for educational, professional, or personal purposes, these digital resources serve as valuable tools for continuous learning and self-improvement. So why not take advantage of the vast world of What Are The Component Of Diagram books and manuals for download and embark on your journey of knowledge?

FAQs About What Are The Component Of Diagram Books

1. Where can I buy What Are The Component Of Diagram books? Bookstores: Physical bookstores like Barnes & Noble, Waterstones, and independent local stores. Online Retailers: Amazon, Book Depository, and various online bookstores offer a wide range of books in physical and digital formats.
2. What are the different book formats available? Hardcover: Sturdy and durable, usually more expensive. Paperback: Cheaper, lighter, and more portable than hardcovers. E-books: Digital books available for e-readers like Kindle or software like Apple Books, Kindle, and Google Play Books.
3. How do I choose a What Are The Component Of Diagram book to read? Genres: Consider the genre you enjoy (fiction, non-fiction, mystery, sci-fi, etc.). Recommendations: Ask friends, join book clubs, or explore online reviews and recommendations. Author: If you like a particular author, you might enjoy more of their work.
4. How do I take care of What Are The Component Of Diagram books? Storage: Keep them away from direct sunlight and in a dry environment. Handling: Avoid folding pages, use bookmarks, and handle them with clean hands. Cleaning: Gently dust the covers and pages occasionally.
5. Can I borrow books without buying them? Public Libraries: Local libraries offer a wide range of books for borrowing.

- Book Swaps: Community book exchanges or online platforms where people exchange books.
6. How can I track my reading progress or manage my book collection? Book Tracking Apps: Goodreads, LibraryThing, and Book Catalogue are popular apps for tracking your reading progress and managing book collections. Spreadsheets: You can create your own spreadsheet to track books read, ratings, and other details.
 7. What are What Are The Component Of Diagram audiobooks, and where can I find them? Audiobooks: Audio recordings of books, perfect for listening while commuting or multitasking. Platforms: Audible, LibriVox, and Google Play Books offer a wide selection of audiobooks.
 8. How do I support authors or the book industry? Buy Books: Purchase books from authors or independent bookstores. Reviews: Leave reviews on platforms like Goodreads or Amazon. Promotion: Share your favorite books on social media or recommend them to friends.
 9. Are there book clubs or reading communities I can join? Local Clubs: Check for local book clubs in libraries or community centers. Online Communities: Platforms like Goodreads have virtual book clubs and discussion groups.
 10. Can I read What Are The Component Of Diagram books for free? Public Domain Books: Many classic books are available for free as they're in the public domain. Free E-books: Some websites offer free e-books legally, like Project Gutenberg or Open Library.

Find What Are The Component Of Diagram :

[wizard rototiller parts manual](#)

[wiring for 94 nissan pu](#)

[wiring harness 660 manual clarion yamaha](#)

[wjec maths 11 june 2012 mark scheme](#)

[wm caprice owners handbook](#)

[wjec-gese-physical-education-e-book](#)

[wiskunde-geletterdheid-vraestel-2-graad-1-november-2011](#)

[wiskundige-geletterdheid-v2-nss-nov-2014-memo](#)

[with-nan-by-tania-cox-activities-printables](#)

[wizard-lawn-mower-manual-model-ayp914c79](#)

[wiring-system-of-gasoline-engine](#)

[wiskunde-geletterdheid-graad-november-2014-vraestelle](#)

wood chuck chipper manual

wolf dd30i owners manual

wiring harness for l 9000 starter

What Are The Component Of Diagram :

read bonardivensbolding1997 full pdf cornelisfr vanlanschot - Aug 15 2023

web read bonardivensbolding1997 book review unveiling the magic of language in an electronic digital era where connections and knowledge reign supreme the enchanting

books by dennis brindell fradin goodreads - Jul 02 2022

web 1 of 5 stars 2 of 5 stars 3 of 5 stars 4 of 5 stars 5 of 5 stars the price of freedom how one town stood up to slavery by dennis brindell fradin judith bloom fradin eric

forbidden love episode 1 77 tv episode 2005 imdb - Sep 23 2021

web feb 8 2005 episode 1 77 directed by bostjan vrhovc with zoran pribicevic anita berisha sanja vejnovic velimir cokljat

read bonardivensbolding1997 orientation sutd edu - Jun 13 2023

web read bonardivensbolding1997 download books read bonardivensbolding1997 online download books read bonardivensbolding1997 pdf download books read

bordo bereli nin sevdası tamamlandı 1 bölüm wamppad - Feb 26 2022

web read 1 bölüm from the story bordo bereli nin sevdası tamamlandı by kbrtbr2 with 31 165 reads tamamlandı eflin pöh bismillahirrahmanirrahimselamun ale

introduction read bonardivensbolding1997 pdf - Jul 14 2023

web read bonardivensbolding1997 pdf pdf red ortax org created date 9 2 2023 5 12 40 am

börnin í Ólátagarði astrid lindgren google books - Feb 09 2023

web rent and save from the world s largest ebookstore read highlight and take notes across web tablet and phone go to google play now

loctite cross reference chart bespoke cityam - Sep 04 2022

web reference chart is commonly congruent with any devices to read as recognized exploration as skillfully as knowledge just about lecture pleasure as expertly as contract

read bonardivensbolding1997 pdf voto uncal edu br - May 12 2023

web read bonardivensbolding1997 pdf upload herison t ferguson 1 1 downloaded from voto uncal edu br on august 19 2023 by herison t ferguson in some sort of defined by

read bonardivensbolding1997 yvc moeys gov - Nov 06 2022

web if you ally habit such a referred read bonardivensbolding1997 books that will offer you worth get the enormously best seller from us currently from several preferred authors if

read bonardivensbolding1997 pdf - Apr 11 2023

web may 3 2023 read bonardivensbolding1997 pdf this is likewise one of the factors by obtaining the soft documents of this read bonardivensbolding1997 pdf by online you

where to download sieben sunden gedankenlesen lernen - Dec 07 2022

web jul 14 2023 rather than reading a good book with a cup of tea in the afternoon instead they cope with some malicious virus inside their computer read

بوردو بېرېلى نىن سېۋداسى تاماملاندى 17 بۆلۈم - Oct 25 2021

web بوردو بېرېلى نىن سېۋداسى تاماملاندى 17 بۆلۈم - Oct 25 2021

bordo bereli nin sevdasi tamamlandi 17 bölüm - Jan 28 2022

web read 17 bölüm from the story bordo bereli nin sevdasi tamamlandi by kbrtbr2 with 11 007 reads haram bordobereli tamamlandı bismillahirrahmanirrahim

read bonar divens bolding 1997 pdf pdf pdf - Mar 10 2023

web may 8 2023 2 from fictions to scientific research in any way in the middle of them is this read bonar divens bolding 1997 pdf pdf that can be your partner recht schuld und

reading paradigms toni morrison beloved taylor francis - Mar 30 2022

web oct 22 2010 summary this paper which focuses on toni morrison s novel beloved 1987 begins with commentary on how reading paradigms can lead to misreadings and

the bold and the beautiful episode 1 1770 tv episode 1994 - Dec 27 2021

web james makes it clear that his experiences as a womanizer are way more limited than she expects suddenly passion mounts and they retreat for the bedroom basking in the

download ebook georgia annual progress report for ho read - Aug 03 2022

web report for ho read pdf free eventually you will unconditionally discover a further experience and expertise by spending read bonardivensbolding1997 gregs

extrusion of a metal bar using abaqus mintxx - Nov 25 2021

web extrusion of a metal bar using abaqus national labour market information system national skill development agency description international journal of engineering

blonde roots black history history and the form of the slave - Jan 08 2023

web oct 20 2011 abstract this article explores the relationship between literary form and the representation of history in bernardine evaristo s blonde roots 2008 the text is

[where to download espagnol 1re anna c e a1 a2 cahier d](#) - Oct 05 2022

web thank you very much for reading espagnol 1re anna c e a1 a2 cahier d activita c s as you may know people have look numerous times for their favorite readings like this

boulevard vol 27 nos 1 2 by richard burgin goodreads - Jun 01 2022

web want to read buy on amazon rate this book first published january 1 2011 book details editions about the author

bold and the beautiful 1990 s4 e177 full episode 923 - Apr 30 2022

web margo tells jake she is going to visit ben he approves ben regains consciousness and tells charlie he wants to die ridge and taylor argue about storm tay

dracula pages from a virgin s diary 2002 the streamable - Apr 11 2023

web is dracula pages from a virgin s diary 2002 streaming on netflix disney hulu amazon prime video hbo max peacock or 50 other streaming services find out where you can buy rent or subscribe to a streaming service to watch it live or on demand find the cheapest option or how to watch with a free trial

dracula pages from a virgin s diary rotten tomatoes - Jul 14 2023

web movie info in this ballet version of bram stoker s classic vampire tale dracula zhang wei qiang arrives in london and performs a dance of seduction with the virgin lucy tara birtwhistle

guy maddin dracula pages from a virgin s diary 2002 moma - Mar 10 2023

web dracula pages from a virgin s diary 2002 w24162 film caption the museum of modern art renovation and expansion designed by diller scofidio renfro in collaboration with gensler

dracula pages from a virgin s diary full film youtube - May 12 2023

web jun 24 2022 for educational purposes only directed by guy maddin original novel bram stoker ballet mark godden produced by vonnie von helmolt starring zhang wei qiang tara birtwhistle david moroni

diario di una vergine romana 1973 imdb - Jun 01 2022

web diario di una vergine romana directed by joe d amato with lucretia love linda sini attilio dottesio edmondo tieghi the rise to power of a prostitute in ancient rome

dracula pages from a virgin s diary 2002 sinemalar com - Jan 08 2023

web dracula pages from a virgin s diary filminin özeti yorumları oyuncular ve seansları hakkında bilgilere ulaşmak film fragmanını izlemek için tıklayın

[dracula pages from a virgin s diary zeitgeist films](#) - Dec 07 2022

web the black and white blood red punctured dracula pages from a virgin s diary is a gothic grand guignol of the notorious count and his bodice ripped victims fringed with the expressionistic strains of gustav mahler

the virgin diaries wikipedia - Dec 27 2021

web the virgin diaries is a reality tv show produced by tiger aspect productions for mtv uk each episode follows young adults between the ages of 16 and 18 citation needed as they contemplate sex sexuality and their own virginity the show was criticised by psychiatrists and teen experts

dracula pages from a virgin s diary 2002 imdb - Aug 15 2023

web dec 12 2003 dracula pages from a virgin s diary directed by guy maddin with wei qiang zhang tara birtwhistle david moroni cindymarie small a ballet rendition of bram stoker s dracula stylized as an expressionistic silent film

dracula pages from a virgin s diary strange canada trailer - Aug 03 2022

web aug 31 2017 what more can said about the story of dracula guy maddin s dracula is visual feast featuring the royal winnipeg ballet s adaptation of dracula this version

a virgin s diary david wilbourne - Jan 28 2022

web a virgin s diary david wilbourne openly licensed educational resources in the 2017 national education technology plan the department defines openly licensed educational resources as teaching learning and research resources that reside in the public domain or have been released under a license that permits their free use reuse modification and

dracula pages from a virgin s diary wikiwand - Mar 30 2022

web dracula pages from a virgin s diary is a 2002 horror film directed by guy maddin budgeted at 1 7 million 1 and produced for the canadian broadcasting corporation as a dance film documenting a performance by the royal winnipeg ballet adapting bram stoker s novel dracula

dracula pages from a virgin s diary trailer youtube - Oct 05 2022

web may 23 2011 año 2002sinopsis en londres están ocurriendo unos sucesos muy extraños lucy westenra una dama de la alta sociedad padece una enfermedad que sólo el docto

dracula pages from a virgin s diary silent prime video - Feb 09 2023

web beautifully transposing the royal winnipeg ballet s interpretation of bram stoker s classic vampire tale from stage to screen dracula pages from a virgin s diary is a gothic grand guignol of the notorious count and his bodice ripped victims accompanied by the expressionistic strains of gustav mahler s music

dracula pages from a virgin s diary reviews metacritic - Apr 30 2022

web may 14 2003 zeitgeist films release date may 14 2003 summary beautifully transposing the royal winnipeg ballet s interpretation of bram stoker s classic vampire yarn from stage to screen guy maddin has forged a sumptuous erotically

charged feast of dance drama and shadow zeitgeist films

[dracula pages from a virgin s diary 2002 mubi](#) - Jun 13 2023

web a ballet rendition of bram stoker s gothic novel presented in a style reminiscent of the silent expressionistic cinema of the early 20th century try 7 days free now showing

dracula pages from a virgin s diary roger ebert - Jul 02 2022

web jul 3 2003 in dracula pages from a virgin s diary he begins with the royal winnipeg ballet s stage production of dracula choreographed and produced by mark godden and takes it through a series of transformations into something that looks a lot like a silent film but feels like avant garde theater

review dracula pages from a virgin s diary slant magazine - Feb 26 2022

web may 9 2003 dracula shoves money tinted green in the faces of the men who will kill him and when dr van helsing cuts dracula s arm it s gold coins and not blood that the vampire releases a master conservationist and expert image maker madden reimagines bram stoker s classic text as a feverish vision of christian angst and cultural invasion

dracula pages from a virgin s diary sinematürk - Sep 04 2022

web zaten bir hesabınız var mı oturum aç anasayfa

dracula pages from a virgin s diary wikipedia - Nov 06 2022

web dracula pages from a virgin s diary is a 2002 horror film directed by guy maddin budgeted at 1 7 million and produced for the canadian broadcasting corporation cbc as a dance film documenting a performance by the royal winnipeg ballet adapting bram stoker s novel dracula

[answers for apex quiz english second semester download](#) - May 19 2023

web to pay for below as well as evaluation answers for apex quiz english second semester what you subsequently to read webapr 26 2023 explanations for all answers the

answers for apex quiz english second semester pdf - Jan 15 2023

web of this answers for apex quiz english second semester can be taken as skillfully as picked to act answers for apex quiz english second semester downloaded from

answers for apex quiz english second semester pdf - Aug 22 2023

web 1 48 flashcards learn test match q chat created by jessye nikol terms in this set 48 comedy happy ending why is shakespeare considered a historical figure he wrote

free pdf download answers for apex quiz english second - Jun 08 2022

web apex english 10 semester 2 final exam answers prentice hall gold geometry form g answer key 3 3 apex english 4 semester 2 answer key apex english 11 semester 2

apex english 10 semester 2 exam flashcards quizlet - Jul 21 2023

web learn apex 4 english with free interactive flashcards choose from 5 000 different sets of apex 4 english flashcards on quizlet

answers for apex quiz english second semester pdf im - Apr 18 2023

web answers for apex quiz english second semester 1 6 downloaded from uniport edu ng on june 16 2023 by guest answers for apex quiz english second semester as

answers for apex quiz english second semester 2022 - Dec 14 2022

web answers for apex quiz english second semester whispering the strategies of language an psychological quest through answers for apex quiz english second

online library answers for apex quiz english second semester - Jul 09 2022

web sep 19 2023 right here we have countless ebook answers for apex quiz english second semester pdf and collections to check out we additionally come up with the

what is hamas and what s happening in israel and gaza - Jan 03 2022

web may 18 2023 answer salesforce developed apex as a proprietary strongly typed object oriented programming language it will be used to develop the products in

download ebook answers for apex quiz english second - Oct 12 2022

web answers for apex quiz english second semester answers for apex quiz english second semester 2 downloaded from bespoke cityam com on 2023 03 20 by guest

apex english 10 semester 2 test answers cleantechnano com - May 07 2022

web may 20 2023 download solutions answers for apex quiz english second web answers for apex quiz english second semester by online you might not require more epoch to

answers for apex quiz english second semester book - Nov 13 2022

web getting this info get the answers for apex quiz english second semester join that we give here and check out the link you could buy lead answers for apex quiz english

all apex legends trivia quizzes and games sporcle - Feb 04 2022

web oct 7 2023 the palestinian militant group hamas launched an unprecedented attack on israel on 7 october killing more than 1 400 people and taking more than 200 hostage

answers for apex quiz english second semester pdf - Mar 17 2023

web answers for apex quiz english second semester downloaded from textra com tw by guest townsend english the great gatsby large print scholastic inc

answers for apex quiz english second semester pdf copy - Aug 10 2022

web sep 22 2023 this answers for apex quiz english second semester as one of the most vigorous sellers here will unconditionally be in the midst of the best options to

apex learning answers reddit - Sep 23 2023

web answers for apex quiz english second semester 1 6 downloaded from uniport edu ng on october 8 2023 by guest answers for apex quiz english second semester

the ultimate apex legends throwback quiz dexerto - Sep 30 2021

answers for apex quiz english second semester pdf - Feb 16 2023

web answers for apex quiz english second semester english apex high course hero apex english 4 answer key pdf complete sebastianclimacus does some one know

answers for apex quiz english second semester pdf pdf - Apr 06 2022

web jul 5 2023 answers for apex quiz english second semester below common school education and teachers world 1894 mpssc exam pdf m p rajya sahakari bank

answers for apex quiz english second semester jonathan - Sep 11 2022

web apr 26 2023 answers for apex quiz english second semester pdf is available in our book collection an online access to it is set as public so you can get it instantly our

top 10 essential apex interview questions updated for 2023 - Dec 02 2021

web jan 22 2021 take our apex legends quiz your test score will determine just how well you know the outlands in the apex world the world of course is connected to that of

apex 4 english flashcards and study sets quizlet - Jun 20 2023

web transformation is truly remarkable this extraordinary book aptly titled answers for apex quiz english second semester written by a highly acclaimed author immerses

ultimate apex legends quiz test your knowledge of the outlands - Nov 01 2021

web aug 27 2020 round 1 powered by razer guess the name of the weapon based on the sound of it being fired round 2 test your knowledge of various weapons items

answers for apex quiz english second semester uniport edu - Mar 05 2022

web play apex legends quizzes on sporcle the world s largest quiz community there s a apex legends quiz for everyone