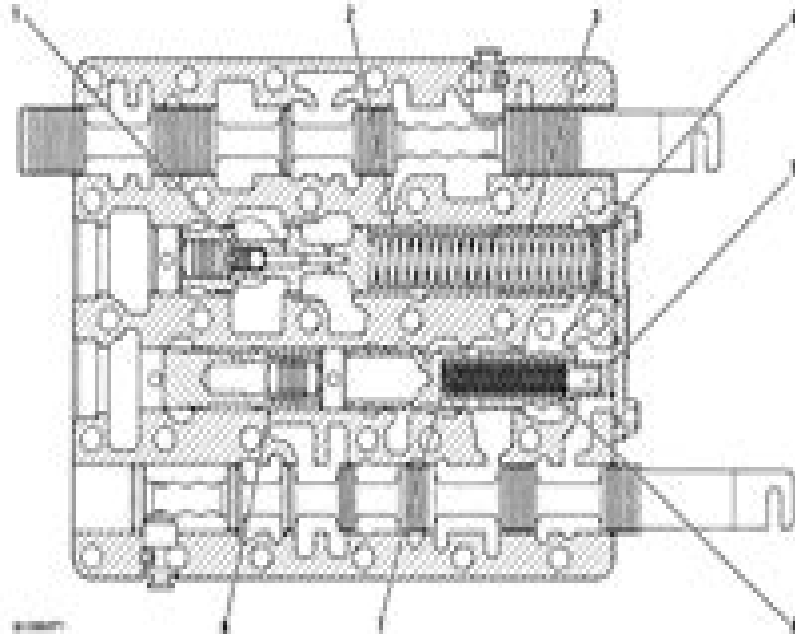


Transmission Selector And Pressure Control Valve

3T5016



(1) 44021 Spring

Length under test force 15.5 mm (0.61 in)
 Test force 3.20 ± 0.16 N (0.72 ± 0.04 lbf)
 Free length after test 32.8 mm (1.29 in)
 Outside diameter 1.62 mm (0.063 in)

(5) 71464 Spring (outer)

Length under test force 36.25 mm (1.427 in)
 Test force 175 ± 14.0 (39.2 ± 3.2 lbf)
 Free length after test 66.45 mm (2.616 in)
 Outside diameter 27.75 mm (1.093 in)

(6) 8P101 Spring (inner with red stripe)

Length under test force 30.0 mm (1.181 in)
 Test force 66 ± 2.1 N (14.8 ± 0.4 lbf)
 Free length after test 117.45 mm (4.623 in)
 Outside diameter 31.25 mm (1.230 in)

(8) 34462 O-ring

Thickness of wire spacer 1.58 mm (0.062 in)
 Outside diameter 25.02 mm (0.985 in)
 One spacer will change pressure approximately 10-15% (14.3 psi)

(9) 84602 O-ring

Thickness of wire spacer 2.01 mm (0.079 in)
 Outside diameter 25.02 mm (0.985 in)
 One spacer will change pressure approximately 17-18% (23.5 psi)

(10) 84604 O-ring

Thickness of wire spacer 2.02 mm (0.079 in)
 Outside diameter 25.02 mm (0.985 in)
 One spacer will change pressure approximately 16-17% (21.5 psi)

(11) 8P102 Spring (outer steel)

Length under test force 15.45 mm (0.608 in)
 Test force 33.0 ± 1.24 (7.45 ± 0.27 lbf)
 Free length after test 32.05 mm (1.261 in)
 Outside diameter 14.50 mm (0.571 in)

(12) 8P103 Spring for converter (red stripe)

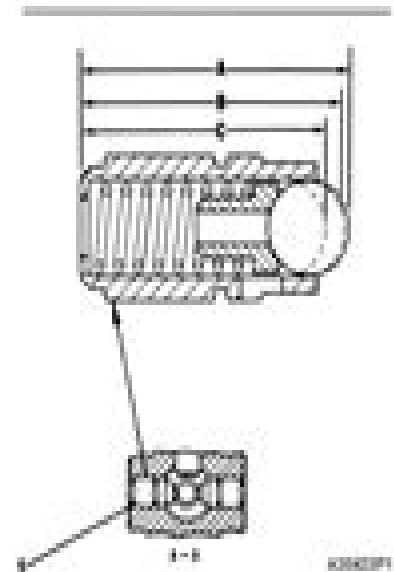
Length under test force 27.5 mm (1.083 in)
 Test force 67 ± 2.45 (15.1 ± 0.55 lbf)
 Free length after test 56.50 mm (2.225 in)
 Outside diameter 31.0 mm (1.220 in)

(13) 8P104 Spring (inner with yellow stripe)

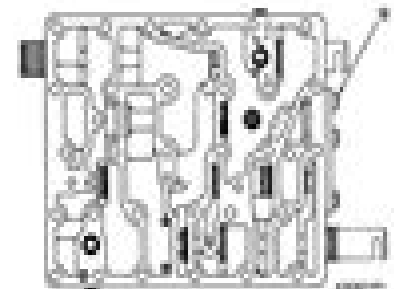
Length under test force 38.20 mm (1.504 in)
 Test force 62 ± 2.5 (13.9 ± 0.56 lbf)
 Free length after test 66.50 mm (2.618 in)
 Outside diameter 11.0 mm (0.433 in)

(14) 8P104 Spring (outer with yellow stripe)

Length under test force 32.20 mm (1.268 in)
 Test force 52 ± 0.5 (11.5 ± 0.11 lbf)
 Free length after test 66.50 mm (2.618 in)
 Outside diameter 16.5 mm (0.650 in)



K300201



(1) 71467 O-ring Assembly (steel)

(A) Maximum free length 30.00 mm (1.181 in)
 (B) A force of 32 ± 2.4 (7.2 ± 0.53 lbf) must hold the seal
 A 25.02 mm (0.985 in)

(C) A force of 45 ± 4.4 (10.1 ± 0.98 lbf) must hold the seal
 A 27.00 mm (1.063 in)

(10) Torque for free bolts 20 ± 4.0 Nm (15 ± 3.0 lbf-ft)

V900 X900 Technical Service Manual

Peipei Pang



V900 X900 Technical Service Manual:

Embark on a transformative journey with is captivating work, **V900 X900 Technical Service Manual** . This enlightening ebook, available for download in a convenient PDF format , invites you to explore a world of boundless knowledge. Unleash your intellectual curiosity and discover the power of words as you dive into this riveting creation. Download now and elevate your reading experience to new heights .

<https://movement.livewellcolorado.org/About/scholarship/default.aspx/Team%20Coordination%20Training%20Student%20Guide%208%2098.pdf>

Table of Contents V900 X900 Technical Service Manual

1. Understanding the eBook V900 X900 Technical Service Manual
 - The Rise of Digital Reading V900 X900 Technical Service Manual
 - Advantages of eBooks Over Traditional Books
2. Identifying V900 X900 Technical Service Manual
 - Exploring Different Genres
 - Considering Fiction vs. Non-Fiction
 - Determining Your Reading Goals
3. Choosing the Right eBook Platform
 - Popular eBook Platforms
 - Features to Look for in an V900 X900 Technical Service Manual
 - User-Friendly Interface
4. Exploring eBook Recommendations from V900 X900 Technical Service Manual
 - Personalized Recommendations
 - V900 X900 Technical Service Manual User Reviews and Ratings
 - V900 X900 Technical Service Manual and Bestseller Lists
5. Accessing V900 X900 Technical Service Manual Free and Paid eBooks
 - V900 X900 Technical Service Manual Public Domain eBooks
 - V900 X900 Technical Service Manual eBook Subscription Services

- V900 X900 Technical Service Manual Budget-Friendly Options
- 6. Navigating V900 X900 Technical Service Manual eBook Formats
 - ePub, PDF, MOBI, and More
 - V900 X900 Technical Service Manual Compatibility with Devices
 - V900 X900 Technical Service Manual Enhanced eBook Features
- 7. Enhancing Your Reading Experience
 - Adjustable Fonts and Text Sizes of V900 X900 Technical Service Manual
 - Highlighting and Note-Taking V900 X900 Technical Service Manual
 - Interactive Elements V900 X900 Technical Service Manual
- 8. Staying Engaged with V900 X900 Technical Service Manual
 - Joining Online Reading Communities
 - Participating in Virtual Book Clubs
 - Following Authors and Publishers V900 X900 Technical Service Manual
- 9. Balancing eBooks and Physical Books V900 X900 Technical Service Manual
 - Benefits of a Digital Library
 - Creating a Diverse Reading Collection V900 X900 Technical Service Manual
- 10. Overcoming Reading Challenges
 - Dealing with Digital Eye Strain
 - Minimizing Distractions
 - Managing Screen Time
- 11. Cultivating a Reading Routine V900 X900 Technical Service Manual
 - Setting Reading Goals V900 X900 Technical Service Manual
 - Carving Out Dedicated Reading Time
- 12. Sourcing Reliable Information of V900 X900 Technical Service Manual
 - Fact-Checking eBook Content of V900 X900 Technical Service Manual
 - Distinguishing Credible Sources
- 13. Promoting Lifelong Learning
 - Utilizing eBooks for Skill Development
 - Exploring Educational eBooks
- 14. Embracing eBook Trends

- Integration of Multimedia Elements
- Interactive and Gamified eBooks

V900 X900 Technical Service Manual Introduction

In this digital age, the convenience of accessing information at our fingertips has become a necessity. Whether its research papers, eBooks, or user manuals, PDF files have become the preferred format for sharing and reading documents. However, the cost associated with purchasing PDF files can sometimes be a barrier for many individuals and organizations. Thankfully, there are numerous websites and platforms that allow users to download free PDF files legally. In this article, we will explore some of the best platforms to download free PDFs. One of the most popular platforms to download free PDF files is Project Gutenberg. This online library offers over 60,000 free eBooks that are in the public domain. From classic literature to historical documents, Project Gutenberg provides a wide range of PDF files that can be downloaded and enjoyed on various devices. The website is user-friendly and allows users to search for specific titles or browse through different categories. Another reliable platform for downloading V900 X900 Technical Service Manual free PDF files is Open Library. With its vast collection of over 1 million eBooks, Open Library has something for every reader. The website offers a seamless experience by providing options to borrow or download PDF files. Users simply need to create a free account to access this treasure trove of knowledge. Open Library also allows users to contribute by uploading and sharing their own PDF files, making it a collaborative platform for book enthusiasts. For those interested in academic resources, there are websites dedicated to providing free PDFs of research papers and scientific articles. One such website is Academia.edu, which allows researchers and scholars to share their work with a global audience. Users can download PDF files of research papers, theses, and dissertations covering a wide range of subjects. Academia.edu also provides a platform for discussions and networking within the academic community. When it comes to downloading V900 X900 Technical Service Manual free PDF files of magazines, brochures, and catalogs, Issuu is a popular choice. This digital publishing platform hosts a vast collection of publications from around the world. Users can search for specific titles or explore various categories and genres. Issuu offers a seamless reading experience with its user-friendly interface and allows users to download PDF files for offline reading. Apart from dedicated platforms, search engines also play a crucial role in finding free PDF files. Google, for instance, has an advanced search feature that allows users to filter results by file type. By specifying the file type as "PDF," users can find websites that offer free PDF downloads on a specific topic. While downloading V900 X900 Technical Service Manual free PDF files is convenient, its important to note that copyright laws must be respected. Always ensure that the PDF files you download are legally available for free. Many authors and publishers voluntarily provide free PDF versions of their work, but its essential to be cautious and verify the authenticity of the source before downloading V900 X900 Technical Service Manual. In conclusion,

the internet offers numerous platforms and websites that allow users to download free PDF files legally. Whether its classic literature, research papers, or magazines, there is something for everyone. The platforms mentioned in this article, such as Project Gutenberg, Open Library, Academia.edu, and Issuu, provide access to a vast collection of PDF files. However, users should always be cautious and verify the legality of the source before downloading V900 X900 Technical Service Manual any PDF files. With these platforms, the world of PDF downloads is just a click away.

FAQs About V900 X900 Technical Service Manual Books

What is a V900 X900 Technical Service Manual PDF? A PDF (Portable Document Format) is a file format developed by Adobe that preserves the layout and formatting of a document, regardless of the software, hardware, or operating system used to view or print it. **How do I create a V900 X900 Technical Service Manual PDF?** There are several ways to create a PDF: Use software like Adobe Acrobat, Microsoft Word, or Google Docs, which often have built-in PDF creation tools. Print to PDF: Many applications and operating systems have a "Print to PDF" option that allows you to save a document as a PDF file instead of printing it on paper. Online converters: There are various online tools that can convert different file types to PDF. **How do I edit a V900 X900 Technical Service Manual PDF?** Editing a PDF can be done with software like Adobe Acrobat, which allows direct editing of text, images, and other elements within the PDF. Some free tools, like PDFescape or Smallpdf, also offer basic editing capabilities. **How do I convert a V900 X900 Technical Service Manual PDF to another file format?** There are multiple ways to convert a PDF to another format: Use online converters like Smallpdf, Zamzar, or Adobe Acrobats export feature to convert PDFs to formats like Word, Excel, JPEG, etc. Software like Adobe Acrobat, Microsoft Word, or other PDF editors may have options to export or save PDFs in different formats. **How do I password-protect a V900 X900 Technical Service Manual PDF?** Most PDF editing software allows you to add password protection. In Adobe Acrobat, for instance, you can go to "File" -> "Properties" -> "Security" to set a password to restrict access or editing capabilities. Are there any free alternatives to Adobe Acrobat for working with PDFs? Yes, there are many free alternatives for working with PDFs, such as: LibreOffice: Offers PDF editing features. PDFsam: Allows splitting, merging, and editing PDFs. Foxit Reader: Provides basic PDF viewing and editing capabilities. How do I compress a PDF file? You can use online tools like Smallpdf, ILovePDF, or desktop software like Adobe Acrobat to compress PDF files without significant quality loss. Compression reduces the file size, making it easier to share and download. Can I fill out forms in a PDF file? Yes, most PDF viewers/editors like Adobe Acrobat, Preview (on Mac), or various online tools allow you to fill out forms in PDF files by selecting text fields and entering information. Are there any restrictions when working with PDFs? Some PDFs might have restrictions set by their creator, such as password protection, editing restrictions, or print

restrictions. Breaking these restrictions might require specific software or tools, which may or may not be legal depending on the circumstances and local laws.

Find V900 X900 Technical Service Manual :

team coordination training student guide 8 98

td visa credit card comparison

teaching tape diagrams to first graders

technical analysis art or science

tear soup book

tcid 50 ml

teach me part ii a dark melody serial book 2

teachers edition harcourt 20math third grade

teacher world english intro heinle

teaching guide for erin brokovich

team yankee a novel of world war iii english edition

team mates karl malone and john stockton

teac a 3340s service manual

tcap quick scores and student growth

teaching suzuki cello a manual for teacher and parents

V900 X900 Technical Service Manual :

critiques de nous sommes tous des playmobiles babelio - Oct 29 2022

web nous sommes tous des playmobiles bruxelles est une ville en plastique comme le reste de la planète on y voit courir des petits bonshommes dérisoires emportés dans le

nous sommes tous des playmobiles objectif plumes - Aug 27 2022

web nous sommes tous des playmobiles par nicolas ancion aux éditions espace nord bruxelles est une ville en plastique comme le reste de la planète on y voit courir des

nous sommes tous des playmobiles french edition - Sep 08 2023

web jan 1 2008 nous sommes tous des playmobiles french edition by nicolas ancion publication date 2008 01 01 publisher

pocket collection inlibrary printdisabled

[nous sommes tous des playmobiles amazon fr](#) - Apr 03 2023

web nous sommes tous des playmobiles poche 7 septembre 2017 de nicolas ancion auteur stéphanie biquet postface 3 3 23 évaluations afficher tous les formats et

nous sommes tous des playmobiles nicolas ancion babelio - Oct 09 2023

web mar 5 2008 nous sommes tous des playmobiles lire un extrait nicolas ancion ean 9782266182270 151 pages pocket 05 03 2008 3 25 5 61 notes

nous sommes tous des playmobiles ancion nicolas amazon fr - Aug 07 2023

web 160 pages langue français Éditeur pocket date de publication 25 avril 2013 dimensions 10 9 x 1 2 x 17 9 cm isbn 10 2266242962

nous sommes tous des playmobiles poche nicolas ancion fnac - May 04 2023

web publicité 5 comparer tout supprimer nous sommes tous des playmobiles nicolas ancion pocket des milliers de livres avec la livraison chez vous en 1 jour ou en

nous sommes tous des playmobiles nicolas ancion furet du - Apr 22 2022

web nous sommes tous des playmobiles nicolas ancion 2266182277 livres de poche cultura nous sommes tous des playmobiles par nicolas ancion aux éditions pocket

nous sommes tous des playmobiles grand format decitre - Jan 20 2022

web mar 6 2008 nous sommes tous des playmobiles de nicolas ancion collection pocket nouvelles voix livraison gratuite à 0 01 dès 35 d achat librairie decitre votre

nous sommes tous des playmobiles ned nicolas ancion cultura - Feb 18 2022

web feb 5 2008 nous sommes tous des playmobiles de nicolas ancion Éditeur renaissance du livre la livraison gratuite à 0 01 dès 35 d achat librairie decitre

nous sommes tous des playmobiles nicolas ancion cultura - Jul 26 2022

web oct 16 2005 critique de catinus liège inscrit le 28 février 2003 72 ans 12 novembre 2011 nous sommes tous des playmobiles comprenez nous sommes tous des

nous sommes tous des playmobiles nicolas ancion senscritique - Jul 06 2023

web nov 2 2014 voir les 3 critiques listes le titre est tellement excentrique que tu te sens obligé de le lire leurs titres me font délirer je risque même de les acheter rien

nous sommes tous des playmobiles nicolas ancion bnfa - Dec 31 2022

web sep 21 2017 ainsi il est déjà l auteur d une trentaine de textes dont quatrième étage 2000 prix des lycéens nous

sommes tous des playmobiles 2007 prix franz de

nous sommes tous des playmobiles poche nicolas ancion fnac - Jun 05 2023

web sep 7 2017 nous sommes tous des playmobiles nicolas ancion auteur paru le 7 septembre 2017 roman poche nous

sommes tous des playmobiles 3 avis sur les

nous sommes tous des playmobiles nicolas ancion cultura - Mar 22 2022

web nous sommes tous des playmobiles ned nicolas ancion retour haut de page réservez en ligne retirez en magasin sous 2h livraison gratuite en magasin dès le lendemain

nous sommes tous des playmobiles nicolas ancion nouvelles - Sep 27 2022

web la collection espace nord accueille dans son conservatoire la réédition du recueil de nouvelles nous sommes tous des playmobiles de nicolas ancion auteur prolifique et

nous sommes tous des playmobiles nicolas ancion - Jun 24 2022

web nous sommes tous des playmobiles auteur trice nicolas ancion postfacier cière stéphanie biquet rubrique s contes nouvelles isbn 978 2 87568 268 0 format

nous sommes tous des playmobiles broché fnac - Feb 01 2023

web dans ce recueil de nouvelles il suffit de presque rien une tache de sauce un appareil photo une agrafeuse un abri de jardin ou un paquet de cigarettes pour qu'une vie

nous sommes tous des playmobiles espace nord - May 24 2022

web sep 21 2017 ainsi il est déjà l'auteur d'une trentaine de textes dont quatrième étage 2000 prix des lycéens nous

sommes tous des playmobiles 2007 prix franz de

nous sommes tous des playmobiles de nicolas ancion decitre - Nov 29 2022

web dec 2 2010 1 2 17 critiques sur ce livre jubilatoire surprenant iconoclaste je ne parle pas du playmobile mais de ce recueil de nouvelles pleines d'humour

nous sommes tous des playmobiles poche fnac - Mar 02 2023

web nous sommes tous des playmobiles nicolas ancion le grand miroir eds des milliers de livres avec la livraison chez vous en 1 jour ou en magasin avec 5 de réduction

nous sommes tous des playmobiles poche decitre - Dec 19 2021

phet simulation gene expression 1 start on gene studocu - Mar 29 2022

web 1 rna polymerase is the central enzyme of gene expression and it is a major target for regulation what does the mrna destroyer do 1 mrna destroyers find mrna with a matching sequence and signals the proteins to destroy this mrna

16 1 regulation of gene expression biology for ap courses - Feb 08 2023

web in all cases regulation of gene expression determines the type and amount of protein produced in the cell errors in regulatory processes can result in many human diseases and conditions including cancer gene expression regulation occurs at different points in prokaryotes and eukaryotes

chapter 15 regulation of gene control key studocu - Aug 14 2023

web name mr key chapter 15 regulation of gene expression key concepts bacteria often respond to environmental change by regulation transcription eukaryotic gene expression is regulated at many steps noncoding rnas play multiple roles in controlling gene expression researchers can monitor expression of specific

ch 18 reading guide answers pdf operon regulation of gene - Sep 15 2023

web what is the common control point of gene expression for all organisms transcription 21 gene expression can be regulated by modifications of the chromatin distinguish between heterochromatin and euchromatin as to their structure and activity heterochromatin is highly condensed and rarely expressed

9 3 regulation of gene expression in eukaryotes - Jul 01 2022

web may 15 2022 there are several methods used by eukaryotes regulate gene expression including altering the rate of transcription of the gene altering the rate at which rna transcripts are processed altering [regulating gene expression the university of western australia](#) - Nov 05 2022

web outcomes students understand gene expression is controlled by a complex series of molecular interactions collectively known as gene regulation are introduced to key molecular components of the gene expression regulatory system including promoter enhancer transcription factors spliceosome and elongation factors recognise gene

6 7 regulation of gene expression biology libretexts - Aug 02 2022

web gene expression is regulated to ensure that the correct proteins are made when and where they are needed regulation may occur at any point in the expression of a gene from the start of the transcription phase of protein synthesis to the processing of a protein after synthesis occurs

gene regulation scientific inquiry student worksheet answer key - Jan 27 2022

web answer to student worksheets controlling gene expression allows cells to have the same genes but different functions add to library share with classes edit edit view latest customize customize details resources publish published gene regulation scientific inquiry student worksheet answer key teacher contributed

[regulation of gene expression study guide ck 12 foundation](#) - Jan 07 2023

web gene expression activating a particular gene to make a protein regulatory protein proteins that regulate dna transcription activators regulatory proteins that promote transcription repressors regulatory proteins that prevent

transcription regulatory elements regions of dna where regulatory proteins can bind

chapter 17 regulation of gene expression introduction to - May 31 2022

web the expression of specific genes is a highly regulated process with many levels and stages of control this complexity ensures expression of each protein in the proper cells at the proper time 17 1 overview of regulation of gene expression

1 9 regulation of gene expression biology libretxts - Jun 12 2023

web for the purposes of this section the key point is how the biological activity encoded by a gene is regulated the expression of genes in specific plant cells tissues and organs and the timing of this expression require a precise level of regulation

overview gene regulation in bacteria article khan academy - Apr 10 2023

web there are various forms of gene regulation that is mechanisms for controlling which genes get expressed and at what levels however a lot of gene regulation occurs at the level of transcription

chapter 18 regulation of gene expression east tennessee state university - Dec 06 2022

web what regulates gene expression gene expression in prokaryotic cells differs from that in eukaryotic cells how do disruptions in gene regulation lead to cancer this chapter gives you a look at how genes are expressed and modulated

concept 18 1 bacteria often respond to environmental change by regulating transcription 1

overview eukaryotic gene regulation article khan academy - Jul 13 2023

web gene regulation is how a cell controls which genes out of the many genes in its genome are turned on expressed thanks to gene regulation each cell type in your body has a different set of active genes despite the fact that almost all the cells of your body contain the exact same dna

regulation of gene expression biology for majors i lumen - Oct 04 2022

web gene regulation is how a cell controls which genes out of the many genes in its genome are turned on expressed thanks to gene regulation each cell type in your body has a different set of active genes despite the fact that almost all the cells of your body contain the exact same dna

computer simulation regulation of gene expression studocu - Apr 29 2022

web this is the answers checked by the teacher to the computer simulation on regulation of gene expression in this computer simulation you will explore how ge ex

regulation after transcription article khan academy - Sep 03 2022

web even after a gene has been transcribed gene expression can still be regulated at various stages some transcripts can undergo alternative splicing making different mrnas and proteins from the same rna transcript

ap bio 6 5 regulation of gene expression fiveable - Mar 09 2023

web jan 16 2023 regulatory sequences are regions of dna that play a crucial role in controlling gene expression in terms of

increasing or decreasing the expression of certain genes in the organism essentially they can turn a gene on or off

10 4 eukaryotic gene regulation biology libretexts - Feb 25 2022

web jul 30 2022 gene regulation is how a cell controls which genes out of the many genes in its genome are turned on expressed thanks to gene regulation each cell type in your body has a different set of active genes despite the fact that almost all the cells of your body contain the exact same dna

chapter 15 regulation of gene expression flashcards quizlet - May 11 2023

web a protein that binds to the operator and block attachment of rna polymerase to the promoter preventing transcription of the genes regulatory gene a gene that codes for a protein such as a repressor that controls the transcription of another gene or group of genes corepressor

chapter4 geometry test answer key pg 288 full pdf - Jun 12 2023

web kaplan asvab premier 2016 with 6 practice tests geometry quizzes practice tests with answer key grade 10 math worksheets quick study guide tips and

chapter4 geometry test answer key pg 288 139 59 212 161 - Apr 29 2022

web jun 9 2022 get free chapter4 geometry test answer key pg 288 chapter4 geometry test answer key pg 288 69cc5c186a33909826b7f0822f7f12ef ti 83 84

geometry chapter 4 test flashcards quizlet - Aug 14 2023

web terms in this set 22 triangle sum conjecture the sum of the measures of the angles in every triangle is 180 degrees isosceles triangle conjecture if a triangle is isosceles

chapter4 geometry test answer key pg 288 tunxis - Nov 05 2022

web feb 23 2023 chapter4 geometry test answer key pg 288 is reachable in our digital library an online access to it is set as public thus you can download it instantly our

chapter4 geometry test answer key pg 288 pdf thor byteorbit - May 11 2023

web chapter 4 test review geometry geometry chapter 4 practice test triangles with proofs geometry chapter 4 review congruent triangles geometry chapter 4

read free chapter4 geometry test answer key pg 288 pdf for - Aug 02 2022

web mar 26 2023 read free chapter4 geometry test answer key pg 288 pdf for free see the world modern violin method grade 1 fun with phonics short vowels critical

grade 4 geometry questions and problems with answers - Jan 27 2022

web grade 4 geometry questions and problems with answers solutions and explanations to these questions are included true or false two parallel lines intersect a triangle is a

geometry chapter 4 test flashcards quizlet - Jul 13 2023

web 1 right angle vertical angles 2 nonadjacent angles formed by 2 intersecting lines opposite of each other alternate interior angles nonadjacent interior angles that lie on opposite

chapter4 geometry test answer key pg 288 pdf - Sep 22 2021

web chapter4 geometry test answer key pg 288 1 chapter4 geometry test answer key pg 288 right here we have countless books chapter4 geometry test answer key pg

chapter4 geometry test answer key pg 288 pdf pdf helpdeskh - Mar 29 2022

web jul 20 2023 the statement as without difficulty as acuteness of this chapter4 geometry test answer key pg 288 pdf pdf can be taken as capably as picked to act geometry

chapter4 geometry test answer key pg 288 moodle gnbvt - Feb 25 2022

web dec 24 2022 chapter4 geometry test answer key pg 288 4 17 downloaded from moodle gnbvt edu on december 24 2022 by guest ivan savov 2020 10 25 this textbook

chapter4 geometry test answer key pg 288 git hope ua - Sep 03 2022

web mar 9 2022 get free chapter4 geometry test answer key pg 288 the effects of the errors it also considers computations on geometric point sets which are neither robust

download solutions chapter4 geometry test answer key pg 288 - Oct 04 2022

web chapter4 geometry test answer key pg 288 9th grade math mcqs jan 10 2023 9th grade math mcqs multiple choice questions and answers quiz tests with answer

chapter4 geometry test answer key pg 288 pdf - Oct 24 2021

web key pg 288 chapter4 geometry test answer key penguin vinyl geometry chapter 4 test answer key queenofinquiry com answer keys geometry pearson chapter4

chapter4 geometry test answer key pg 288 book - Feb 08 2023

web test answer key pg 288 as one of the most energetic sellers here will certainly be in the course of the best options to review reveal algebra 2 mcgraw hill

chapter4 geometry test answer key pg 288 uniport edu - May 31 2022

web jun 21 2023 chapter4 geometry test answer key pg 288 1 8 downloaded from uniport edu ng on june 21 2023 by guest chapter4 geometry test answer key pg

chapter4 geometry test answer key pg 288 dev uvexplorer - Mar 09 2023

web chapter4 geometry test answer key pg 288 big ideas math chapter 4 test answers chapter4 geometry test 2 answer key chapter4 geometry test answer key

chapter4 geometry test answer key pg 288 app savvi com - Dec 26 2021

web chapter4 geometry test answer key pg 288 is available in our digital library an online access to it is set as public so you can download it instantly our book servers saves in

chapter4 geometry test answer key pg 288 copy uniport edu - Apr 10 2023

web jun 4 2023 chapter4 geometry test answer key pg 288 2 9 downloaded from uniport edu ng on june 4 2023 by guest management response options and adaptation

chapter4 geometry test answer key pg 288 uniport edu - Nov 24 2021

web apr 1 2023 chapter4 geometry test answer key pg 288 1 7 downloaded from uniport edu ng on april 1 2023 by guest chapter4 geometry test answer key pg 288

chapter4 geometry test answer key pg 288 tunxis - Jul 01 2022

web dec 3 2022 chapter4 geometry test answer key pg 288 as recognized adventure as skillfully as experience not quite lesson amusement as without difficulty as arrangement

chapter4 geometry test answer key pg 288 - Jan 07 2023

web chapter4 geometry test answer key pg 288 story of the world tests volume three early modern times jan 02 2020 assess older students and keep a record of work

chapter4 geometry test answer key pg 288 pdf - Dec 06 2022

web feb 24 2023 chapter4 geometry test answer key pg 288 getting the books chapter4 geometry test answer key pg 288 now is not type of challenging means you could