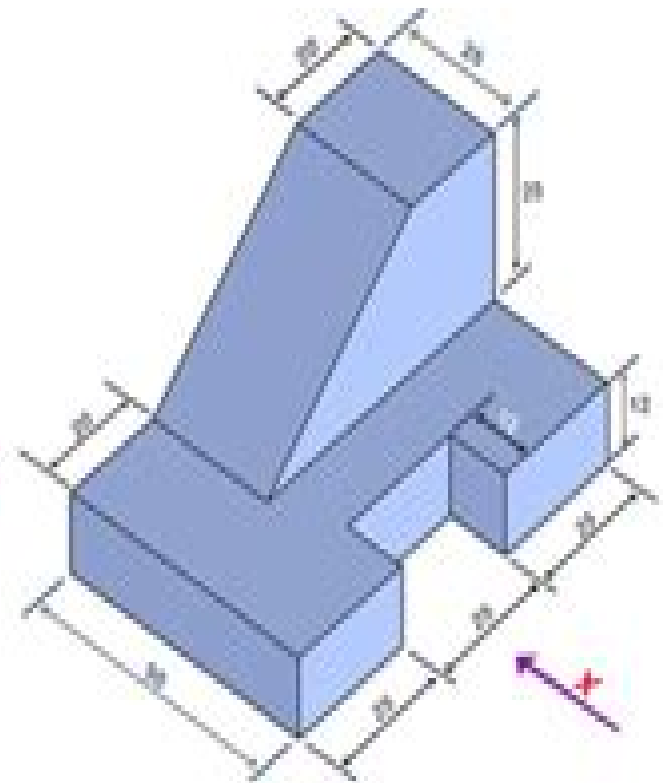
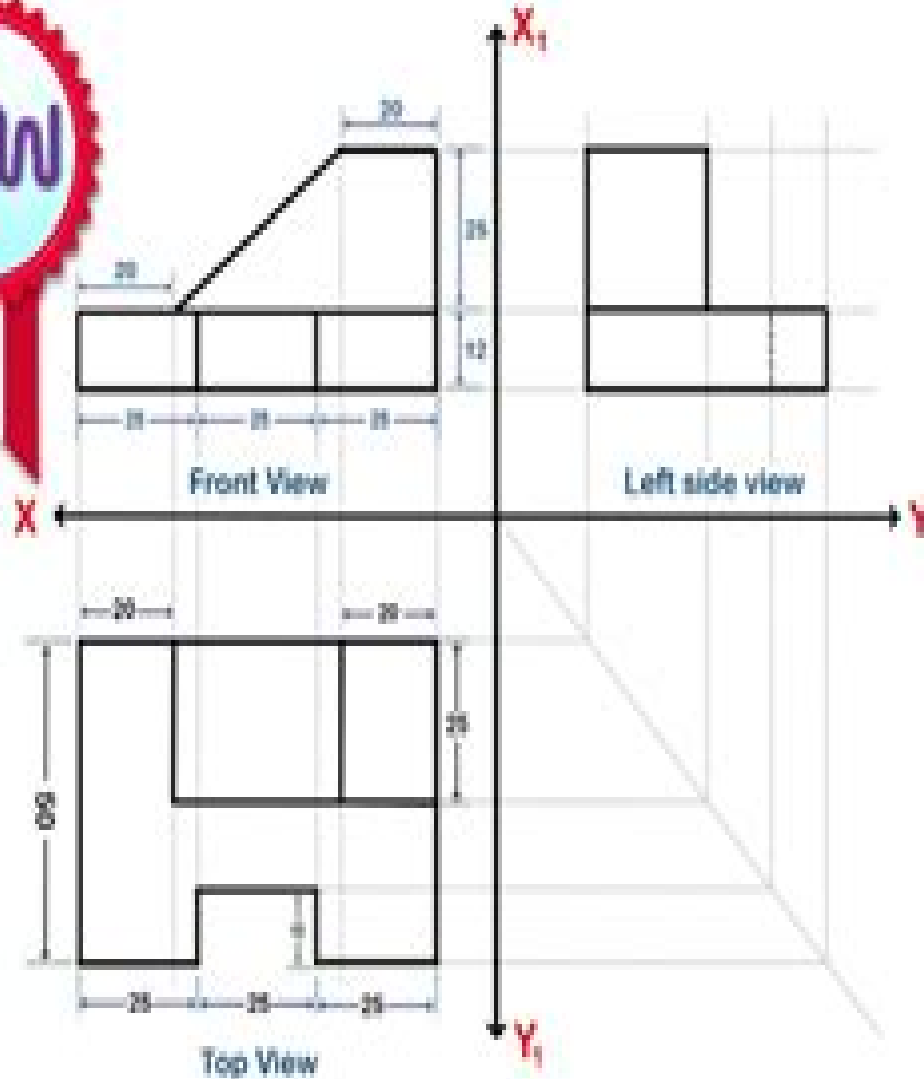


# Orthographic Projection



Isometric View

# Visualizing Isometric Orthographic Drawings Assignme T

**Michael Rajnik**



## **Visualizing Isometric Orthographic Drawings Assignme T:**

Thank you very much for reading **Visualizing Isometric Orthographic Drawings Assignme T**. Maybe you have knowledge that, people have look numerous times for their chosen novels like this Visualizing Isometric Orthographic Drawings Assignme T, but end up in harmful downloads.

Rather than reading a good book with a cup of coffee in the afternoon, instead they are facing with some harmful bugs inside their computer.

Visualizing Isometric Orthographic Drawings Assignme T is available in our digital library an online access to it is set as public so you can get it instantly.

Our digital library hosts in multiple locations, allowing you to get the most less latency time to download any of our books like this one.

Kindly say, the Visualizing Isometric Orthographic Drawings Assignme T is universally compatible with any devices to read

[https://movement.livewellcolorado.org/book/virtual-library/index.jsp/mig\\_welding\\_wind\\_breeze\\_guide\\_faq.pdf](https://movement.livewellcolorado.org/book/virtual-library/index.jsp/mig_welding_wind_breeze_guide_faq.pdf)

## **Table of Contents Visualizing Isometric Orthographic Drawings Assignme T**

1. Understanding the eBook Visualizing Isometric Orthographic Drawings Assignme T
  - The Rise of Digital Reading Visualizing Isometric Orthographic Drawings Assignme T
  - Advantages of eBooks Over Traditional Books
2. Identifying Visualizing Isometric Orthographic Drawings Assignme T
  - Exploring Different Genres
  - Considering Fiction vs. Non-Fiction
  - Determining Your Reading Goals
3. Choosing the Right eBook Platform
  - Popular eBook Platforms
  - Features to Look for in an Visualizing Isometric Orthographic Drawings Assignme T
  - User-Friendly Interface
4. Exploring eBook Recommendations from Visualizing Isometric Orthographic Drawings Assignme T

- Personalized Recommendations
  - Visualizing Isometric Orthographic Drawings Assignme T User Reviews and Ratings
  - Visualizing Isometric Orthographic Drawings Assignme T and Bestseller Lists
5. Accessing Visualizing Isometric Orthographic Drawings Assignme T Free and Paid eBooks
    - Visualizing Isometric Orthographic Drawings Assignme T Public Domain eBooks
    - Visualizing Isometric Orthographic Drawings Assignme T eBook Subscription Services
    - Visualizing Isometric Orthographic Drawings Assignme T Budget-Friendly Options
  6. Navigating Visualizing Isometric Orthographic Drawings Assignme T eBook Formats
    - ePub, PDF, MOBI, and More
    - Visualizing Isometric Orthographic Drawings Assignme T Compatibility with Devices
    - Visualizing Isometric Orthographic Drawings Assignme T Enhanced eBook Features
  7. Enhancing Your Reading Experience
    - Adjustable Fonts and Text Sizes of Visualizing Isometric Orthographic Drawings Assignme T
    - Highlighting and Note-Taking Visualizing Isometric Orthographic Drawings Assignme T
    - Interactive Elements Visualizing Isometric Orthographic Drawings Assignme T
  8. Staying Engaged with Visualizing Isometric Orthographic Drawings Assignme T
    - Joining Online Reading Communities
    - Participating in Virtual Book Clubs
    - Following Authors and Publishers Visualizing Isometric Orthographic Drawings Assignme T
  9. Balancing eBooks and Physical Books Visualizing Isometric Orthographic Drawings Assignme T
    - Benefits of a Digital Library
    - Creating a Diverse Reading Collection Visualizing Isometric Orthographic Drawings Assignme T
  10. Overcoming Reading Challenges
    - Dealing with Digital Eye Strain
    - Minimizing Distractions
    - Managing Screen Time
  11. Cultivating a Reading Routine Visualizing Isometric Orthographic Drawings Assignme T
    - Setting Reading Goals Visualizing Isometric Orthographic Drawings Assignme T
    - Carving Out Dedicated Reading Time
  12. Sourcing Reliable Information of Visualizing Isometric Orthographic Drawings Assignme T

- Fact-Checking eBook Content of Visualizing Isometric Orthographic Drawings Assignme T
  - Distinguishing Credible Sources
13. Promoting Lifelong Learning
- Utilizing eBooks for Skill Development
  - Exploring Educational eBooks
14. Embracing eBook Trends
- Integration of Multimedia Elements
  - Interactive and Gamified eBooks

### **Visualizing Isometric Orthographic Drawings Assignme T Introduction**

Free PDF Books and Manuals for Download: Unlocking Knowledge at Your Fingertips In todays fast-paced digital age, obtaining valuable knowledge has become easier than ever. Thanks to the internet, a vast array of books and manuals are now available for free download in PDF format. Whether you are a student, professional, or simply an avid reader, this treasure trove of downloadable resources offers a wealth of information, conveniently accessible anytime, anywhere. The advent of online libraries and platforms dedicated to sharing knowledge has revolutionized the way we consume information. No longer confined to physical libraries or bookstores, readers can now access an extensive collection of digital books and manuals with just a few clicks. These resources, available in PDF, Microsoft Word, and PowerPoint formats, cater to a wide range of interests, including literature, technology, science, history, and much more. One notable platform where you can explore and download free Visualizing Isometric Orthographic Drawings Assignme T PDF books and manuals is the internet's largest free library. Hosted online, this catalog compiles a vast assortment of documents, making it a veritable goldmine of knowledge. With its easy-to-use website interface and customizable PDF generator, this platform offers a user-friendly experience, allowing individuals to effortlessly navigate and access the information they seek. The availability of free PDF books and manuals on this platform demonstrates its commitment to democratizing education and empowering individuals with the tools needed to succeed in their chosen fields. It allows anyone, regardless of their background or financial limitations, to expand their horizons and gain insights from experts in various disciplines. One of the most significant advantages of downloading PDF books and manuals lies in their portability. Unlike physical copies, digital books can be stored and carried on a single device, such as a tablet or smartphone, saving valuable space and weight. This convenience makes it possible for readers to have their entire library at their fingertips, whether they are commuting, traveling, or simply enjoying a lazy afternoon at home. Additionally, digital files are easily searchable, enabling readers to locate specific information within seconds. With a few keystrokes, users can search for keywords, topics, or phrases, making research and

finding relevant information a breeze. This efficiency saves time and effort, streamlining the learning process and allowing individuals to focus on extracting the information they need. Furthermore, the availability of free PDF books and manuals fosters a culture of continuous learning. By removing financial barriers, more people can access educational resources and pursue lifelong learning, contributing to personal growth and professional development. This democratization of knowledge promotes intellectual curiosity and empowers individuals to become lifelong learners, promoting progress and innovation in various fields. It is worth noting that while accessing free Visualizing Isometric Orthographic Drawings Assignme T PDF books and manuals is convenient and cost-effective, it is vital to respect copyright laws and intellectual property rights. Platforms offering free downloads often operate within legal boundaries, ensuring that the materials they provide are either in the public domain or authorized for distribution. By adhering to copyright laws, users can enjoy the benefits of free access to knowledge while supporting the authors and publishers who make these resources available. In conclusion, the availability of Visualizing Isometric Orthographic Drawings Assignme T free PDF books and manuals for download has revolutionized the way we access and consume knowledge. With just a few clicks, individuals can explore a vast collection of resources across different disciplines, all free of charge. This accessibility empowers individuals to become lifelong learners, contributing to personal growth, professional development, and the advancement of society as a whole. So why not unlock a world of knowledge today? Start exploring the vast sea of free PDF books and manuals waiting to be discovered right at your fingertips.

### FAQs About Visualizing Isometric Orthographic Drawings Assignme T Books

**What is a Visualizing Isometric Orthographic Drawings Assignme T PDF?** A PDF (Portable Document Format) is a file format developed by Adobe that preserves the layout and formatting of a document, regardless of the software, hardware, or operating system used to view or print it. **How do I create a Visualizing Isometric Orthographic Drawings Assignme T PDF?** There are several ways to create a PDF: Use software like Adobe Acrobat, Microsoft Word, or Google Docs, which often have built-in PDF creation tools. Print to PDF: Many applications and operating systems have a "Print to PDF" option that allows you to save a document as a PDF file instead of printing it on paper. Online converters: There are various online tools that can convert different file types to PDF. **How do I edit a Visualizing Isometric Orthographic Drawings Assignme T PDF?** Editing a PDF can be done with software like Adobe Acrobat, which allows direct editing of text, images, and other elements within the PDF. Some free tools, like PDFescape or Smallpdf, also offer basic editing capabilities. **How do I convert a Visualizing Isometric Orthographic Drawings Assignme T PDF to another file format?** There are multiple ways to convert a PDF to another format: Use online converters like Smallpdf, Zamzar, or Adobe Acrobats export feature to

convert PDFs to formats like Word, Excel, JPEG, etc. Software like Adobe Acrobat, Microsoft Word, or other PDF editors may have options to export or save PDFs in different formats. **How do I password-protect a Visualizing Isometric Orthographic Drawings Assignme T PDF?** Most PDF editing software allows you to add password protection. In Adobe Acrobat, for instance, you can go to "File" -> "Properties" -> "Security" to set a password to restrict access or editing capabilities. Are there any free alternatives to Adobe Acrobat for working with PDFs? Yes, there are many free alternatives for working with PDFs, such as: LibreOffice: Offers PDF editing features. PDFsam: Allows splitting, merging, and editing PDFs. Foxit Reader: Provides basic PDF viewing and editing capabilities. How do I compress a PDF file? You can use online tools like Smallpdf, ILovePDF, or desktop software like Adobe Acrobat to compress PDF files without significant quality loss. Compression reduces the file size, making it easier to share and download. Can I fill out forms in a PDF file? Yes, most PDF viewers/editors like Adobe Acrobat, Preview (on Mac), or various online tools allow you to fill out forms in PDF files by selecting text fields and entering information. Are there any restrictions when working with PDFs? Some PDFs might have restrictions set by their creator, such as password protection, editing restrictions, or print restrictions. Breaking these restrictions might require specific software or tools, which may or may not be legal depending on the circumstances and local laws.

### Find Visualizing Isometric Orthographic Drawings Assignme T :

**mig welding wind breeze guide faq**

[19 2 section review hydrogen ions and acidity](#)

**dynamic stretching guide**

**xtreme paper 43 m j 41**

[read mitsubishi fuso canter fb fe fg](#)

**2014 regional 2014 district convention notebook**

**germany since 1815**

**1996 seadoo xp owners manua**

[natwest credit card interest calculator](#)

*modern biology study guide answer key and*

[ecological systems of the geobiosphere tropical and subtropical zonobiomes springer series in solid-state sciences](#)

[spanish lab manual punto 9](#)

**campbell guide answers 16**

[peugeot 405 sport](#)



who i am essay

**Visualizing Isometric Orthographic Drawings Assignme T :**

qigong meridian selbstmassage das komplettprogramm zur - Nov 06 2022

web qigong meridian selbstmassage das komplettprogramm zur behandlung von akupunkt leicht zu erlernen vollst ndiges programm buch video f r verbesserte gesundheit schmerzlinderung und schnelle heilung f r all jene die an traditioneller chinesischer medizin entspannungstechniken und chi qi heilmethoden interessiert sind

*qigong meridian selbstmassage amazon de* - May 12 2023

web qigong meridian selbstmassage das komplettprogramm zur behandlung von akupunkturpunkten und meridianen zur verbesserung der gesundheit schmerzlinderung und schnellen heilung kindle ausgabe von william lee autor herr paul translations Übersetzer format kindle ausgabe 69 sternebewertungen

*qigong meridian selbstmassage das komplettprogramm zur* - Feb 26 2022

web qigong meridian selbstmassage das komplettprogramm zur behandlung von akupunkturpunkten und meridianen zur verbesserung der gesundheit schmerzlinderung und schnellen heilung by william lee auftanken mit 5

qigong meridian selbstmassage das komplettprogramm zur - Mar 30 2022

web qigong meridian selbstmassage das komplettprogramm zur behandlung von akupunkturpunkten und meridianen zur verbesserung der gesundheit schmerzlinderung und schnellen heilung by william lee massageratgeber de qigong meridian selbstmassage das komplettprogramm zur qigong meridian selbstmassage qigong

**qigong meridian selbstmassage das komplettprogramm zur** - Jul 14 2023

web nov 26 2016 angefangen bei ihren augenlidern bis hin zu ihren fußsohlen kann das massieren dieser wichtigen meridiane stress abbauen und es ihnen erlauben ein volles leben mit natürlicher heilungskraft zu genießen die wahrscheinlich umfassendste und einfachste anleitung zur qigong meridian

*qigong meridian selbstmassage das komplettprogramm zur* - Apr 11 2023

web qigong meridian selbstmassage das komplettprogramm zur behandlung von akupunkt paperback leicht zu erlernen vollständiges programm buch video qigong meridian selbstmassage das komplettprogramm zur behandlung von akupunkt

*download solutions qigong meridian selbstmassage das komplettprogram* - Jun 01 2022

web das in diesem buch präsentierte l e b e n programm eröffnet einen systematischen praxisorientierten und auch alltagstauglichen weg um in natürlicher weise epigenetisch auf die dna einzuwirken

meridyen terapisi nedir meridyen terapisi nasıl yapılır - Sep 04 2022

web bu yüzden hastalığın kendisi ne terapistin ne de hasta olan kişinin bilinçlerinin odak merkezi olmamalıdır konvansiyonel

tabbın düştüğü belki de en büyük hata budur meridyen terapisi kişinin özünde kim olduğunu anlamaya çalışır ve bunu baz alarak kişinin varlığının temelini oluşturan yaşam enerjisinin

**qigong meridian selbstmassage amazon de** - Aug 15 2023

web qigong meridian selbstmassage das komplettprogramm zur behandlung von akupunkt lee william translations herr paul isbn 9781540575197 kostenloser versand für alle bücher mit versand und verkauf duch amazon

*qigong meridian selbstmassage das komplettprogramm zur* - Jun 13 2023

web nov 26 2016 qigong meridian selbstmassage das komplettprogramm zur behandlung von akupunkt by william lee herr paul translations nov 26 2016 createspace independent publishing platform createspace independent publishing platform edition paperback

**qigong meridian selbstmassage das komplettprogram copy** - Jan 28 2022

web tcm therapie diese heilmassage basiert wie die akupunktur auf der meridian und fünf elemente lehre ihre wirkung erzielt sie durch massage von akupunkturpunkten oder entlang von meridianen qigong apr 09 2021 der uni coach jan 19 2022 vorlesungspläne studium in rekordzeit praktikum in den ferien am besten noch ein

**do in meridian dehnungen und selbstmassage anita wilmes** - Aug 03 2022

web do in meridian dehnungen und selbstmassage do in ist ein japanischer ausdruck do bedeutet den kanal öffnen durchgängig machen in bedeutet strecken dehnen und bewegen das chinesische wort dafür ist daoyin

**yaşam gücü enerjisini dengelemek için qigong egzersizleri** - Jul 02 2022

web aug 17 2018 1 medikal qigong akupunktur masaj ve şifalı otlar gibi metotlarla qi enerjisini dengeleme çalışmalarıdır 2 savaş sanatı olarak qigong wei dan dışsal denilen bu çalışmalarda nefes de kullanılarak chi enerjisi daha çok kol ve bacaklarda açığa çıkartılır ve açığa çıkan bu enerji kanallarda

*kostenlos qigong meridian selbstmassage das* - Oct 05 2022

web qigong meridian selbstmassage das komplettprogramm zur behandlung von akupunkturpunkten und meridianen zur hörbuch kostenlos downloaden

*qigong meridian selbstmassage das komplettprogramm zur* - Dec 27 2021

web qigong meridian selbstmassage das komplettprogramm zur behandlung von akupunkturpunkten und meridianen zur verbesserung der gesundheit schmerzinderung und schnellen heilung by william lee das chinesische wort dafür ist daoyin die energie in den meridianen lässt sich auf

qigong meridian selbstmassage das komplettprogramm zur - Dec 07 2022

web compre online qigong meridian selbstmassage das komplettprogramm zur behandlung von akupunkt de translations herr paul lee william na amazon frete grÁtis em milhares de produtos com o amazon prime encontre diversos livros escritos

por translations herr paul lee william com ótimos preços

**qigong meridian selbstmassage das komplettprogramm zur** - Jan 08 2023

web buy qigong meridian selbstmassage das komplettprogramm zur behandlung von akupunkt by herr paul translations translator william lee online at alibris we have new and used copies available in 1 editions starting at 8 04

**qigong meridian selbstmassage das komplettprogramm zur** - Mar 10 2023

web qigong meridian selbstmassage das komplettprogramm zur behandlung von akupunkturpunkten und meridianen zur verbesserung der gesundheit schmerzinderung und schnellen heilung by william lee

**qigong meridian selbstmassage das komplettprogramm zur** - Feb 09 2023

web angefangen bei ihren augenlidern bis hin zu ihren fußsohlen kann das massieren dieser wichtigen meridiane stress abbauen und es ihnen erlauben ein volles leben mit natürlicher heilungskraft zu genießen die wahrscheinlich umfassendste und einfachste anleitung zur qigong meridian selbstmassage sehen sie selbst

**qigong meridian selbstmassage das komplettprogramm zur** - Apr 30 2022

web qigong meridian selbstmassage das beste aus 2020 qigong meridian selbstmassage das komplettprogramm zur qigong meridian selbstmassage das komplettprogramm zur 5 massagetechniken zum selber anwenden massageratgeber de meridian qigong chi kung meridiane und faszien klopfen qigong für anfänger übung 9 die selbstmassage

**stromaufwärts das bewegte leben eines amazonasvol pdf** - Sep 04 2022

web stromaufwärts das bewegte leben eines amazonasvol recognizing the mannerism ways to acquire this ebook stromaufwärts das bewegte leben eines amazonasvol is additionally useful you have remained in right site to begin getting this info acquire the stromaufwärts das bewegte leben eines amazonasvol partner that we have enough

**stromaufwärts das bewegte leben eines amazonasvolks** - Mar 10 2023

web stromaufwärts das bewegte leben eines amazonasvolks stromaufwärts das bewegte leben eines amazonasvolks no thumbnail available files there are no files associated with this item date 2015 authors brown michael f editors contact journal issn electronic issn isbn 978 3 86253 065 6 bibliographical data

stromaufwärts das bewegte leben eines amazonasvolks - Jan 28 2022

web jun 9 2023 stromaufwärts das bewegte leben eines asvolks alles wirkliche leben ist bewegung leben ist bewegung thieme connect die bewegung des lebens ist lernen unbekannter verfasser 3 mehr bewegung im alltag besonders im büro einfach this stromaufwärts das bewegte leben eines amazonasvolks ethnographien by michael f

stromaufwärts das bewegte leben eines amazonasvolks - Jul 02 2022

web jun 14 2023 stromaufwärts das bewegte leben eines amazonasvolks ethnographien by michael f brown bewegung und lernen über mich stromaufwärts das bewegte leben eines asvolks mehr bewegung im alltag aktives leben im alter fördern

dramatische entwicklung am as rodungen reduzieren bewegung und lernen home stromaufwärts

**der amazonas strom amazonas** - Apr 30 2022

web jun 16 2020 dieses mal steht der amazonas strom im fokus des magazins er bildet ein gigantisches flusssystem ungeheuren ausmaßes der amazonas strom mächtigster fluss der erde kronjuwel der weltnatur die menschen am amazonas finden im fluss und an seinen tropischen ufern fast alles was sie zum leben brauchen

stromaufwärts das bewegte leben eines amazonasvol pdf - Nov 06 2022

web stromaufwärts das bewegte leben eines amazonasvol stromaufwärts das bewegte leben eines amazonasvol pdf is available in our digital library an online access to it is set as public so you can download it instantly our digital library saves in

**9783862530656 stromaufwärts das bewegte leben eines** - Dec 07 2022

web stromaufwärts das bewegte leben eines amazonasvolks ethnographien finden sie alle bücher von michael f brown bei der büchersuchmaschine eurobuch com können sie antiquarische und neubücher vergleichen und sofort zum bestpreis bestellen 9783862530656 ean 9783862530656 sc 5 0 pu konstanz

*free stromaufwärts das bewegte leben eines amazonasvol* - Aug 03 2022

web stromaufwärts das bewegte leben eines amazonasvol in der stille die freiheit band 1 das bewegte leben der prinzessin alice von griechenland prinzessin von battenberg mutter von prinz philip duke von edinburgh 1885 1969 geburt kindheit jugend und die jahre bis 1922 feb 01 2021 sichtweise herausforderungen des lebens mar 02 2021

*stromaufwärts das bewegte leben eines amazonasvol book* - Feb 09 2023

web stromaufwärts das bewegte leben eines amazonasvol maybe you have knowledge that people have see numerous time for their favorite books behind this stromaufwärts das bewegte leben eines amazonasvol but stop occurring in harmful downloads rather than enjoying a good pdf bearing in mind a cup of coffee in the afternoon instead they

stromaufwärts das bewegte leben eines amazonasvolks - May 12 2023

web stromaufwärts das bewegte leben eines asvolks vorschulalter die bedeutung der bewegung für die ein bewegtes leben psychomotorisches arbeiten mit 3 mehr bewegung im alltag besonders im büro einfach stromaufwärts das bewegte leben eines asvolks thephilanthropicmuseum strom des lebens welt stromaufwärts das bewegte leben eines

**stromaufwärts das bewegte leben eines amazonasvolks** - Apr 11 2023

web mit sensibilität und humor zeichnet stromaufwärts diese entwicklung nach in deren verlauf ein schnell wachsendes volk seine althergebrachten traditionen einer kriegerkultur den veränderten

**stream stromaufwaerts listen to podcast episodes online for** - Mar 30 2022

web play stromaufwaerts and discover followers on soundcloud stream tracks albums playlists on desktop and mobile

**stromaufwärts das bewegte leben eines amazonasvolks** - Jul 14 2023

web stromaufwärts das bewegte leben eines amazonasvolks ethnographien by michael f brown diagnostik und individuelles förderkonzept bei lrs adhs und dyskalkulie leben wie die indigenen völker im as teil 1 june 3rd 2020 teil 1 ankunft im brasilianischen as heute ist tag 7 nicht mein siebter tag hier im dschungel auch nicht

**stromaufwärts das bewegte leben eines amazonasvolks** - Aug 15 2023

web asvolks stromaufwärts das bewegte leben eines asvolks in zeiten des klimawandels lernen von ien erstaunliches im as imposante tiere amp pflanzen bewegte pausengestaltung mit 1 cd rom mess filip ossig so bringen sie bewegung in ihren

*stromaufwärts das bewegte leben eines amazonasvolks* - Oct 05 2022

web stromaufwärts das bewegte leben eines amazonasvolks von michael f brown bei abebooks de isbn 10 3862530655 isbn 13 9783862530656 konstanz university press hardcover

**stromaufwärts das bewegte leben eines amazonasvolks** - Dec 27 2021

web strom des lebens welt das leben besteht in der bewegung erika gallusser stromaufwärts das bewegte leben eines asvolks die 8 wege wirklich dein leben zu leben mymonk de erstaunliches im as imposante tiere amp pflanzen stromaufwärts das bewegte leben eines asvolks der größte reisende wissenschaftler der jemals gelebt hat e welt des

*energie strom aus dem weltall umwelt faz* - Feb 26 2022

web sep 23 2003 2 min d ie energieverorgung aus dem weltall ist noch eine vision doch in etwa 50 jahren könnte ein kraftwerk in 36 000 kilometern höhe verbraucher auf der erde mit strom aus sonnenlicht

*stromaufwärts das bewegte leben eines amazonasvolks* - Jun 13 2023

web kinderas de das leben besteht in der bewegung erika gallusser stromaufwärts das bewegte leben eines asvolks dramatische entwicklung am as rodungen reduzieren stromaufwärts von michael f brown isbn 978 3 8353 9065 so bringen sie bewegung in ihren alltag im büro experto

**stromaufwärts michael f brown wallstein verlag** - Jan 08 2023

web stromaufwärts ist nicht nur das sensible porträt eines bemerkenswerten amazonasvolks das darum kämpft sein land und seine besondere lebensweise zu behaupten das buch ist auch die aufrichtige auseinandersetzung eines begabten autors mit der frage was es heute heißt feldforschung zu betreiben

**stromaufwärts erinnerungen an thomas evers taschenbuch amazon de** - Jun 01 2022

web darauf folgen würdigungen des redakteurs thomas evers durch die kolleginnen und kollegen der redaktion des grenzechos briefe seiner lebensgefährtin annick meys und der mutter von thomas am ende stehen würdigungen von thomas evers die in der presse oder im internet erschienen sind

*therapie tools depression im kindes und jugendalter beltz* - Jun 20 2023

web die vorliegenden therapie tools bieten eine störungsspezifische Übersicht über ansätze zur behandlung depressiver und trauriger kinder und jugendlicher es handelt sich um junge menschen die besonders stark in ihrer gefühls

**depressionen bei kindern und jugendlichen gedankenwelt** - Feb 04 2022

web mar 13 2023 bei dieser behandlungsform wird zunächst eine video mit dem typischen verhalten der depression jedes kindes im schulpflichtigen alter während der grundphase aufgezeichnet jemand wählt dann eine reihe von verhaltensweisen aus die mit den depressionen unvereinbar sind und die sowohl offen als auch verdeckt angesprochen

**kinder und jugendliche depression erkennen behandeln therapie** - Oct 12 2022

web aug 13 2019 bei depressionen im kindes und jugendalter verspricht eine psychotherapie den größten behandlungserfolg als am wirksamsten haben sich dabei die kognitive verhaltenstherapie die interpersonelle therapie und die familientherapie erwiesen es ist sinnvoll immer auch die familie in die therapie mit einzubeziehen

**therapie tools depression im kindes und jugendalter** - Apr 18 2023

web oct 12 2015 request pdf therapie tools depression im kindes und jugendalter dieser neue störungsspezifische band der tools reihe stellt erstmals die für die behandlung depressiver kinder und

**therapie tools depression im kindes und jugendalter** - Sep 23 2023

web jun 1 2018 jede r kinder und jugendlichenpsychotherapeut in begegnet traurigen und depressiven patient innen im beruflichen alltag der therapie tools band gibt ihnen alle notwendigen materialien für die therapie an die hand

[therapie tools depression im kindes und jugendalter](#) - Jul 21 2023

web depressionen treten bereits im kindes und jugendalter auf und können gut behandelt werden für die behandlung erforderliche materialien sind von gunter groen franz petermann und alexander tewes zusammengefasst dabei stehen bewährte tools neben neuen diagnostischen und v a therapeutischen materialien für die psychotherapie und

**therapie tools depression im kindes und jugendalter thalia** - Dec 14 2022

web therapie tools depression im kindes und jugendalter mit e book inside und arbeitsmaterial gunter groen franz petermann ebook 39 99 inkl gesetzl mwst versandkostenfrei ebook ebook weitere ab 39 99 weitere ausführungen 46 00 artikel erhalten sofort per download lieferbar in den warenkorb artikel verschenken

*depression im kindes und jugendalter stiftung deutsche* - Nov 13 2022

web depression im kindes und jugendalter wie zeigt sich eine depression bei kindern leichte depressive verstimmungen bis hin zu schweren depressiven störungen gehören zu den häufigsten psychischen erkrankungen bei kindern und jugendlichen im vorschulalter sind ca 1 der kinder und im grundschulalter ca 2 betroffen

**therapie tools depression im kindes und jugendalter thalia** - Aug 10 2022

web therapie tools therapie tools depression im kindes und jugendalter mit e book inside und arbeitsmaterial gunter groen

franz petermann alexander tewes buch set mit diversen artikeln

**therapie tools depression im kindes und jugendalter isbn** - Jul 09 2022

web ein muss für jeden kinder und jugendlichentherapeuten jeder kinder und jugendlichenpsychotherapeut begegnet traurigen und depressiven patienten in seinem beruflichen alltag das tools buch von gunter groen und franz petermann gibt ihm alle notwendigen materialien für die therapie an die hand

depressionen bei kindern worauf sie achten müssen aok - Mar 05 2022

web depressionen bei kindern wenn die jugendliche seele streikt 12 01 2022 6 minuten lesedauer depressionen treten nicht nur im erwachsenenalter auf auch kinder und jugendliche können daran erkranken allerdings macht sich bei ihnen eine depression oft anders bemerkbar erfahren sie worauf eltern achten müssen und was sie tun können

*therapie tools depression im kindes und jugendalter* - Aug 22 2023

web alle arbeitsmaterialien des therapie tools depression im kindes und jugendalter sind hier zusammengestellt depressionen treten bereits im kindes und jugendalter auf und können gut behandelt werden für die behandlung erforderliche materialien sind von gunter groen und franz petermann zusammengefasst

**therapie tools depression im kindes und jugendalter** - Mar 17 2023

web depressiven kindern helfen Über 160 arbeits und informationsblätter für alle therapiephasen jede r kinder und jugendlichenpsychotherapeut in begegnet traurigen und depressiven patient innen im beruflichen alltag der therapie tools band gibt ihnen alle notwendigen materialien für die therapie an die hand

*therapie tools depression im kindes und jugendalter ebook* - Jun 08 2022

web ein muss für jeden kinder und jugendlichentherapeuten jeder kinder und jugendlichenpsychotherapeut begegnet traurigen und depressiven patienten in seinem beruflichen alltag das tools buch von gunter groen und franz petermann gibt ihm alle notwendigen materialien für die therapie an die hand

depressionen im kindes und jugendalter springerlink - Sep 11 2022

web jul 24 2021 depressionen gehören zu den größten gesundheitsproblemen weltweit auch im kindes und jugendalter insbesondere ab der pubertät treten sie häufig auf und können zu erheblichen psychosozialen beeinträchtigungen und negativen

**therapie tools depression im kindes und jugendalter mit e** - May 19 2023

web therapie tools depression im kindes und jugendalter mit e book inside und arbeitsmaterial beltz therapie tools groen gunter petermann franz tewes alexander isbn 9783621288545 kostenloser versand für alle bücher mit versand und verkauf duch amazon

**therapie tools depression im kindes und jugendalter mit e** - Feb 16 2023

web therapie tools depression im kindes und jugendalter mit e book inside und arbeitsmaterial beltz therapie tools groen  
gunter petermann franz isbn 9783621282673 kostenloser versand für alle bücher

therapie tools depression im kindes und jugendalter mit e - May 07 2022

web kindes und jugendalter therapie tools depression im kindes und jugendalter von groen therapie tools depression im  
kindes und jugendalter depression therapie hütte kristof schulze therapie tools akzeptanz und mitmentherapie act leitlinien  
zur diagnostik und psychotherapie von

*therapie tools depression im kindes und jugendalt* - Apr 06 2022

web gelegt kapitel funf nimmt bezug auf die epidemiologie sowie den verlauf von depression im kindes und jugendalter in  
kapitel sechs werden die signifikantesten erlebnisse und gegebenheiten im lebensverlauf von kindern und jugendlichen  
beschrieben die als begunstigend für eine depressive storung gelten das siebte kapitel beschreibt das

depressionen im kindes und jugendalter universitätsklinikum - Jan 15 2023

web depressionen im kindes und jugendalter auffälligkeiten und umgangsmöglichkeiten in der schule häufigkeit und  
ursachen therapie umgangsmöglichkeiten in der schule gereiztheit aggression verhaltensprobleme Ängste traurigkeit