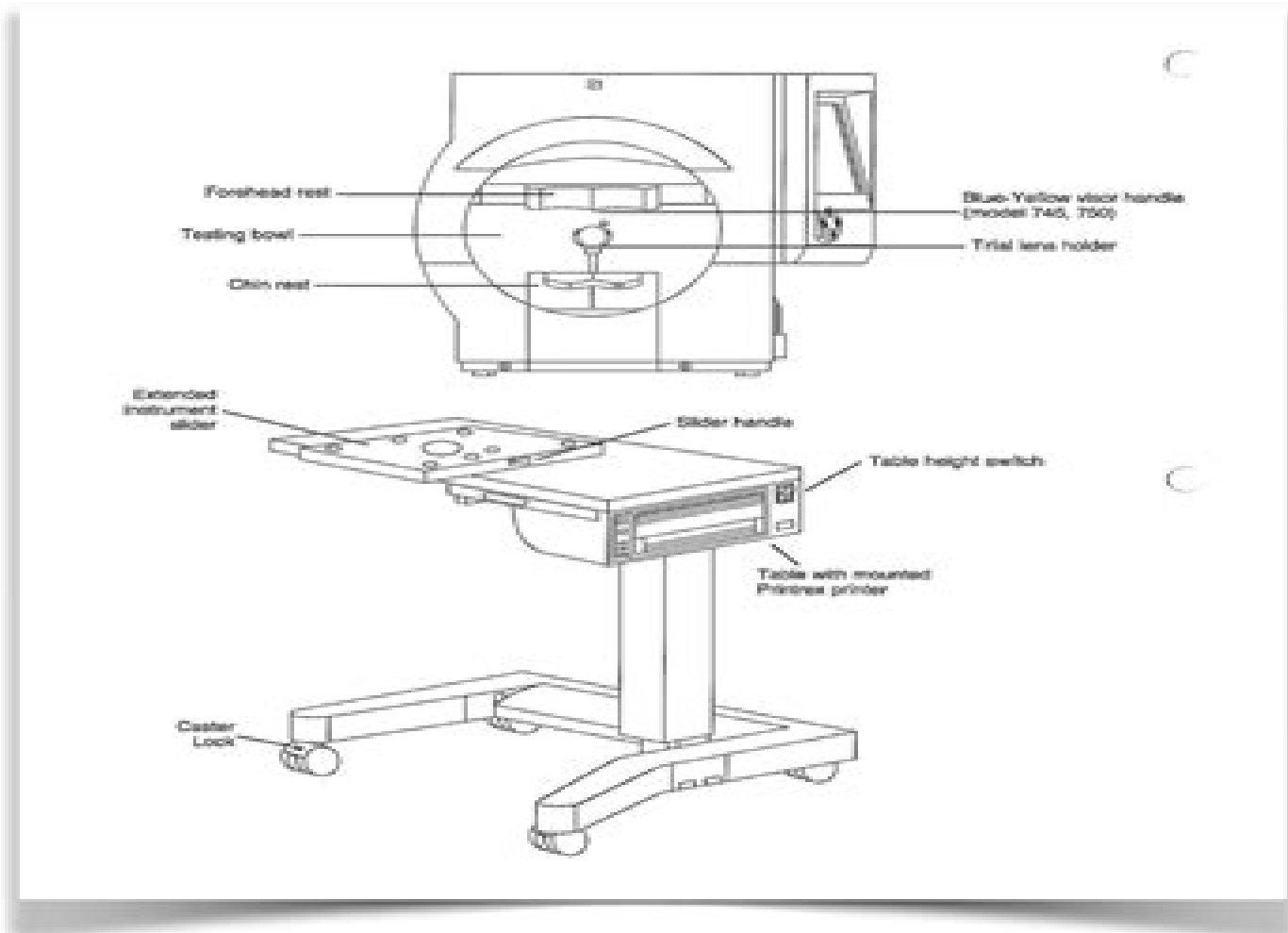


HUMPHREY®

FIELD ANALYZER II USER'S GUIDE



Model 720 • 730 • 735 • 740 • 745 • 750

Visual Analyser Manual

JG Myers



Visual Analyser Manual:

Embark on a breathtaking journey through nature and adventure with Explore with is mesmerizing ebook, **Visual Analyser Manual** . This immersive experience, available for download in a PDF format (PDF Size: *), transports you to the heart of natural marvels and thrilling escapades. Download now and let the adventure begin!

<https://movement.livewellcolorado.org/data/browse/Documents/whither%20chinese%20hrm%20paradigms%20models%20and%20theories.pdf>

Table of Contents Visual Analyser Manual

1. Understanding the eBook Visual Analyser Manual
 - The Rise of Digital Reading Visual Analyser Manual
 - Advantages of eBooks Over Traditional Books
2. Identifying Visual Analyser Manual
 - Exploring Different Genres
 - Considering Fiction vs. Non-Fiction
 - Determining Your Reading Goals
3. Choosing the Right eBook Platform
 - Popular eBook Platforms
 - Features to Look for in an Visual Analyser Manual
 - User-Friendly Interface
4. Exploring eBook Recommendations from Visual Analyser Manual
 - Personalized Recommendations
 - Visual Analyser Manual User Reviews and Ratings
 - Visual Analyser Manual and Bestseller Lists
5. Accessing Visual Analyser Manual Free and Paid eBooks
 - Visual Analyser Manual Public Domain eBooks
 - Visual Analyser Manual eBook Subscription Services
 - Visual Analyser Manual Budget-Friendly Options

6. Navigating Visual Analyser Manual eBook Formats
 - ePub, PDF, MOBI, and More
 - Visual Analyser Manual Compatibility with Devices
 - Visual Analyser Manual Enhanced eBook Features
7. Enhancing Your Reading Experience
 - Adjustable Fonts and Text Sizes of Visual Analyser Manual
 - Highlighting and Note-Taking Visual Analyser Manual
 - Interactive Elements Visual Analyser Manual
8. Staying Engaged with Visual Analyser Manual
 - Joining Online Reading Communities
 - Participating in Virtual Book Clubs
 - Following Authors and Publishers Visual Analyser Manual
9. Balancing eBooks and Physical Books Visual Analyser Manual
 - Benefits of a Digital Library
 - Creating a Diverse Reading Collection Visual Analyser Manual
10. Overcoming Reading Challenges
 - Dealing with Digital Eye Strain
 - Minimizing Distractions
 - Managing Screen Time
11. Cultivating a Reading Routine Visual Analyser Manual
 - Setting Reading Goals Visual Analyser Manual
 - Carving Out Dedicated Reading Time
12. Sourcing Reliable Information of Visual Analyser Manual
 - Fact-Checking eBook Content of Visual Analyser Manual
 - Distinguishing Credible Sources
13. Promoting Lifelong Learning
 - Utilizing eBooks for Skill Development
 - Exploring Educational eBooks
14. Embracing eBook Trends
 - Integration of Multimedia Elements

- Interactive and Gamified eBooks

Visual Analyser Manual Introduction

In the digital age, access to information has become easier than ever before. The ability to download Visual Analyser Manual has revolutionized the way we consume written content. Whether you are a student looking for course material, an avid reader searching for your next favorite book, or a professional seeking research papers, the option to download Visual Analyser Manual has opened up a world of possibilities. Downloading Visual Analyser Manual provides numerous advantages over physical copies of books and documents. Firstly, it is incredibly convenient. Gone are the days of carrying around heavy textbooks or bulky folders filled with papers. With the click of a button, you can gain immediate access to valuable resources on any device. This convenience allows for efficient studying, researching, and reading on the go. Moreover, the cost-effective nature of downloading Visual Analyser Manual has democratized knowledge. Traditional books and academic journals can be expensive, making it difficult for individuals with limited financial resources to access information. By offering free PDF downloads, publishers and authors are enabling a wider audience to benefit from their work. This inclusivity promotes equal opportunities for learning and personal growth. There are numerous websites and platforms where individuals can download Visual Analyser Manual. These websites range from academic databases offering research papers and journals to online libraries with an expansive collection of books from various genres. Many authors and publishers also upload their work to specific websites, granting readers access to their content without any charge. These platforms not only provide access to existing literature but also serve as an excellent platform for undiscovered authors to share their work with the world. However, it is essential to be cautious while downloading Visual Analyser Manual. Some websites may offer pirated or illegally obtained copies of copyrighted material. Engaging in such activities not only violates copyright laws but also undermines the efforts of authors, publishers, and researchers. To ensure ethical downloading, it is advisable to utilize reputable websites that prioritize the legal distribution of content. When downloading Visual Analyser Manual, users should also consider the potential security risks associated with online platforms. Malicious actors may exploit vulnerabilities in unprotected websites to distribute malware or steal personal information. To protect themselves, individuals should ensure their devices have reliable antivirus software installed and validate the legitimacy of the websites they are downloading from. In conclusion, the ability to download Visual Analyser Manual has transformed the way we access information. With the convenience, cost-effectiveness, and accessibility it offers, free PDF downloads have become a popular choice for students, researchers, and book lovers worldwide. However, it is crucial to engage in ethical downloading practices and prioritize personal security when utilizing online platforms. By doing so, individuals can make the most of the vast array of free PDF resources available and embark on a journey of continuous learning and intellectual growth.

FAQs About Visual Analyser Manual Books

1. Where can I buy Visual Analyser Manual books? Bookstores: Physical bookstores like Barnes & Noble, Waterstones, and independent local stores. Online Retailers: Amazon, Book Depository, and various online bookstores offer a wide range of books in physical and digital formats.
2. What are the different book formats available? Hardcover: Sturdy and durable, usually more expensive. Paperback: Cheaper, lighter, and more portable than hardcovers. E-books: Digital books available for e-readers like Kindle or software like Apple Books, Kindle, and Google Play Books.
3. How do I choose a Visual Analyser Manual book to read? Genres: Consider the genre you enjoy (fiction, non-fiction, mystery, sci-fi, etc.). Recommendations: Ask friends, join book clubs, or explore online reviews and recommendations. Author: If you like a particular author, you might enjoy more of their work.
4. How do I take care of Visual Analyser Manual books? Storage: Keep them away from direct sunlight and in a dry environment. Handling: Avoid folding pages, use bookmarks, and handle them with clean hands. Cleaning: Gently dust the covers and pages occasionally.
5. Can I borrow books without buying them? Public Libraries: Local libraries offer a wide range of books for borrowing. Book Swaps: Community book exchanges or online platforms where people exchange books.
6. How can I track my reading progress or manage my book collection? Book Tracking Apps: Goodreads, LibraryThing, and Book Catalogue are popular apps for tracking your reading progress and managing book collections. Spreadsheets: You can create your own spreadsheet to track books read, ratings, and other details.
7. What are Visual Analyser Manual audiobooks, and where can I find them? Audiobooks: Audio recordings of books, perfect for listening while commuting or multitasking. Platforms: Audible, LibriVox, and Google Play Books offer a wide selection of audiobooks.
8. How do I support authors or the book industry? Buy Books: Purchase books from authors or independent bookstores. Reviews: Leave reviews on platforms like Goodreads or Amazon. Promotion: Share your favorite books on social media or recommend them to friends.
9. Are there book clubs or reading communities I can join? Local Clubs: Check for local book clubs in libraries or community centers. Online Communities: Platforms like Goodreads have virtual book clubs and discussion groups.
10. Can I read Visual Analyser Manual books for free? Public Domain Books: Many classic books are available for free as they're in the public domain. Free E-books: Some websites offer free e-books legally, like Project Gutenberg or Open Library.

Find Visual Analyser Manual :

whither chinese hrm paradigms models and theories

white bean provencale soup recipe

whirlpool accubake system super capacity 465 manual

[whistler pro 58 radar detectors owners manual](#)

whirlpool quiet partner ii troubleshooting

white speedylock model 7340 serger manual

whirlpool gold stove manual

white schooldays coming of age in apartheid south africa

[whirlpool gas dryer repair parts](#)

[white space dark passages 1 ilsa j bick](#)

whitefeathered angel my fallen angel supernatural erotic thriller english edition

white paper on manual testing

whirlpool washer control locked reset

[whirlpool duet steam washer manual](#)

[whirlpool washer repair parts](#)

Visual Analyser Manual :

evergreen workbook answers of all summer in a day - Oct 18 2023

web dec 3 2021 long answer questions assignment develop the following hints into your own answers 1 hints nine years old children living on venus seven years continuous rains prediction of the scientists on sunrise for a short time children having

no memory of how the sun looks only margot who has many memories of the sun in a

evergreen definition meaning merriam webster - Mar 31 2022

web evergreen adjective having foliage that remains green and functional through more than one growing season compare deciduous 1

evergreen definition usage examples dictionary com - Nov 26 2021

web evergreen definition see examples of evergreen used in a sentence

[evergreen home](#) - Jun 02 2022

web evergreen group pte ltd 8 new industrial road 01 02 03 lhk 3 singapore 536200

evergreen english workbook answers secure4 khronos - Feb 27 2022

web answers by online we pay for evergreen english workbook answers and plentiful books collections from fictions to scientific examinationh in any way you could quickly obtain this evergreen english workbook answers after securing special if you undertaking to fetch and set up the evergreen english workbook answers it is

evergreen publication solutions for class 9 and 10 english - Oct 06 2022

web solutions for chapter 2 chief seattle s speech below listed you can find solutions for chapter 2 of cisce evergreen publication for class 9 and 10 english treasure trove a collection of icse short stories and poems passage 1 passage 2

evergreen publication solutions for class 10 shaalaa com - Jan 09 2023

web evergreen publication solutions for icse class 10 are provided to study go through our all evergreen publication solutions to score more in your board exam evergreen publication solutions for evergreen class 9 and 10 english literature treasure trove

evergreen english meaning cambridge dictionary - Dec 28 2021

web evergreen definition 1 an evergreen plant bush or tree has leaves for the whole year 2 always seeming fresh or learn more

julius caesar act 1 scene 1 evergreen workbook answers youtube - Mar 11 2023

web apr 20 2023 julius caesar act 1 scene 1 evergreen workbook answers class 9 icse william shakespeare

isc class 11 english prism summary questions answers etc - Aug 04 2022

web here you will find summaries questions answers solutions mcqs fill in the blanks pdf extras etc of isc class 11 english prism a collection of isc short stories these solutions however should be only treated as references and can be modified changed please select the story and proceed

workbook answers of treasure trove short stories - Sep 17 2023

web workbook answers of treasure trove short stories question answers solution of icse english literature pdf download shouttolearn shout to learn all treasure chest poems treasure chest short stories workbook answers of morning star evergreen publication are now available

home online web support evergreen publications - Dec 08 2022

web handbooks and answer keys for teachers to facilitate teaching ask the expert section to resolve the academic queries easy online purchase of school books and other study materials

workbook answers of the home coming shout to learn - May 13 2023

web may 19 2023 all treasure chest poems treasure chest short stories workbook answers of morning star evergreen publication are now available shout to learn the original workbook answers of treasure trove poems and short stories echoes

and reverie sahitya sagar ekanki sanchay merchant of venice tempest shouttolearn
[evergreen workbook answers of the patriot shouttolearn](#) - Feb 10 2023

web nov 22 2021 all treasure chest poems treasure chest short stories workbook answers of morning star evergreen
publication are now available shout to learn the original workbook answers of treasure trove poems and short stories echoes
and reverie sahitya sagar ekanki sanchay merchant of venice tempest shouttolearn

evergreen publication solutions for class 9 and 10 english - Sep 05 2022

web solutions for chapter 2 my greatest olympic prize below listed you can find solutions for chapter 2 of cisce evergreen
publication for class 9 and 10 english treasure trove a collection of icse short stories and poems passage 1 passage 2 passage
3 passage 4 passage 5 assignment

the night mail question answers shouttolearn - Nov 07 2022

web apr 9 2023 section b context questions 1 read the extract given below and answer the questions that follow this is the
night mail crossing the border bringing the cheque and the postal order letters for the rich letters for the poor the shop at
the corner the girl next door i why has the poet used this in the first line of the extract

evergreen workbook answers of the blue bead shouttolearn - Jul 15 2023

web dec 1 2021 long answer questions assignment develop the following hints into your own answers 1 hints sibia a girl of
12 lived in mud house went with mother to get paper grass on the way back hung back to see clay cups a woman came with
too pitchers attacked by the crocodile screamed sibia took hayfork attacked crocodile

evergreen english workbook answers - May 01 2022

web evergreen english workbook answers is available in our book collection an online access to it is set as public so you can
get it instantly our digital library spans in multiple locations allowing you to get the most less latency time to

evergreen publication solutions for class 9 and 10 english - Jun 14 2023

web the answers to the evergreen publication books are the best study material for students listed below are the chapter
wise evergreen publication english 2 literature in english icse class 10 solutions cisce chapter 1 01 the heart of the tree
chapter 1 02 the cold within chapter 1 03 the bangle sellers chapter 1 04 after blenheim

[treasure chest workbook solution shouttolearn](#) - Aug 16 2023

web in this article i am going to provide a complete guide for a treasure chest short story which will include a workbook
solution i e workbook questions and answers an explanation of each and every story along with the characterisation of
[evergreen english workbook answers uniport edu ng](#) - Jan 29 2022

web jul 25 2023 evergreen english workbook answers 1 7 downloaded from uniport edu ng on july 25 2023 by guest
evergreen english workbook answers yeah reviewing a ebook evergreen english workbook answers could build up your near

links listings this is just one of the solutions for you to be successful as understood achievement does not
[evergreen workbook answers of hearts hands shouttolearn](#) - Apr 12 2023

web nov 22 2021 evergreen workbook answers of hearts hands 8 min read hearts hands evergreen publication
comprehension unsolved passages passage 1 1 mr easton felt embarrassed because his old

evergreen english workbook answers dev sfcg org - Jul 03 2022

web 2 face in the dark and other hauntings new age international skylark is a multi skill based series of coursebooks and
workbooks for classes 1 8 it caters to the needs of the learners and the facilitators of the english language through its
approach teaching language through literature

27 best piano rock songs of all time 2023 update - Sep 25 2023

may 7 2023 here are the best piano rock songs of all time 1 don t stop believin by journey journey released don t stop
believin in 1981 as the second single from their seventh album escape don t stop believin was described by mike degagne of
allmusic as a perfect rock song and an anthem with one of the best opening keyboard riffs in rock

80 s piano rock hits album by piano tribute players spotify - Nov 15 2022

listen to 80 s piano rock hits on spotify piano tribute players album 2012 30 songs

[top 25 classic rock songs on piano youtube](#) - Jul 23 2023

one of our arrangers seth takes you through 25 of the best classic rock songs in history did your favorite make the list we re
publishing new piano less

15 easy piano rock songs with video lessons guitar lobby - Feb 06 2022

may 11 2023 here is a list of easy rock songs to play on piano 16 purple rain by prince 15 nothing else matters by metallica
14 zombie by the cranberries 13 in the end by linkin park 12 we are the champions by queen 11 bohemian rhapsody by queen
10 november rain by guns n roses 9 the house of the rising sun by the animals 8

[80 s piano rock hits apple music](#) - Mar 07 2022

nov 13 2012 80 s piano rock hits by piano dreamers on apple music piano dreamers rock 2012 1 sweet child o mine 4 24 2
you give love a bad name 2 25 3 right now 4 20 pour some sugar on me 3 58 5 here i go again 4 37 6 home sweet home 3 31
7 nothin but a good time 3 16 8 i wanna rock 2 37 9 we re not gonna take it 2 11 10

[first 50 classic rock songs you should play on piano j w pepper](#) - May 09 2022

easy piano upc 888680642440 publisher id 00195619 10795940 19 99 full song list africa by toto angie by the rolling stones
behind blue eyes by the who beth by kiss changes by david bowie cold as ice by foreigner colour of my world by chicago come
sail away by styx do it again by steely dan don t dream it s over by crowded house

31 rock songs with piano music industry how to - Aug 12 2022

feb 28 2023 we had to leave some out but found some top rock songs with piano we judged the best based on the iconic nature of the piano parts the songs staying power and what the player delivers 1 bohemian rhapsody by queen song year 1975

the 16 best piano rock songs to play la touche musicale - Feb 18 2023

are you looking for rock songs to play on piano in this article discover the 16 best piano rock songs of all time

top rock piano songs of all time - Mar 19 2023

jun 22 2017 at irockku we have over 100k enthusiastic rock piano fans throughout the world who have voted on their favorite rock piano songs visit irockku com for chuck leavell s rock piano lessons legendary keyboardist for the allman brothers the rolling stones eric clapton and recipient of lifetime grammy achievement award

piano rock hits album by rock spotify - Oct 14 2022

listen to piano rock hits on spotify rock album 2021 45 songs

36 greatest piano rock songs pianote - Aug 24 2023

aug 30 2023 songs are listed in chronological order piano rock songs tutti frutti little richard 1955 great balls of fire jerry lee lewis 1956 hit the road jack ray charles 1961 green onions booker t the m g s 1962 the house of the rising sun the animals 1964 a whiter shade of pale procol harum 1967 hey jude the beatles 1968

rock hits by various softcover sheet music for piano - Jun 10 2022

isbn 9781423483083 9 0x12 0x0 68 inches 30 smash hits transcribed precisely as they were played includes baba o riley the who bennie and the jets elton john carry on

top 50 classic rock hits piano book sheet music alfred music - Dec 16 2022

piano book 50 of the best classic rock hits of all time each easy piano arrangement includes lyrics and chord symbols titles after midnight any way you want it beat it big yellow taxi black water blowin in the wind born to run the boys of summer cat s in the cradle desperado don t stop believin

top 50 classic rock hits easy piano free download borrow - Jul 11 2022

jun 23 2022 after midnight any way you want it beat it big yellow taxi black water blowin in the wind born to run the boys of summer cat s in the cradle desperado don t stop believin drive europe earth s cry heaven s smile eye of the tiger gimme some lovin go your own way great balls of fire heartache

30 of the best piano songs ever written for the ivories nme - Sep 13 2022

oct 14 2018 what are the best piano songs ever written here s a selection of the best featuring joni mitchell the beatles and radiohead

31 best piano rock songs of all time music grotto - Jun 22 2023

may 17 2023 piano rock is a genre unto itself boasting some of the funkier hardest hitting and best tracks of all time in this article we'll go over the 31 best piano rock songs of all time 1 free bird lynyrd skynyrd lynyrd skynyrd free bird official audio *rock piano rock songs on piano youtube* - Apr 20 2023

jul 3 2022 rock piano rock songs on piano 121 530 views buy the mp3 album on the official halidon music store bit.ly/3qqzox5 listen to our playlist on spotify

piano songs from rolling stone s 500 greatest songs of all time - Jan 17 2023

jan 9 2023 piano songs from rolling stone s 500 greatest songs of all time charmaine li musicianship updated jan 9 2023 share this for the first time since 2004 rolling stone magazine has released a new 500 greatest songs of all time list

the 25 best 80s hits that feature piano ranked - Apr 08 2022

sep 15 2023 total nerd unscripted lifestyle music sports 4 ac dc on the greatest musical artists of the 80s 23 aliens on the greatest movies of the 1980s ranked collection22 lists oh yeah it's 80s night closer listen to the decade that brought us everything from run dmc to mötley crüe to rick astley the best ballads of the 1980s

the 15 best piano rock songs of all time guitar songs master - May 21 2023

in today's post we will listen to the 15 best piano rock songs of all time obviously most of the popular songs in rock music are based mostly on guitars and only about 3 of songs in a classic rock song and modern rock feature piano as the main instrument that drives the song

polk county fcat results 2014 book cyberlab sutd edu sg - Feb 15 2023

web results and the treatment effect are discussed including results of chicago's test based promotion policy to compare the findings of different studies charter school report card

cat 2022 result updates iim cat result 2022 released direct - Mar 04 2022

web nov 1 2023 cat result 2023 will be declared in the second week of january 2024 as per the official cat 2023 notification however one can expect declaration of cat 2023 in

[understanding fcat 2.0 reports florida department](#) - Mar 16 2023

web polk county fcat results 2014 congressional record apr 17 2021 departments of labor health and human services education and related agencies appropriations for 2003

individual fcat results 2014 - Nov 12 2022

web apr 28 2023 getting the books individual fcat results 2014 now is not type of challenging means you could not abandoned going taking into account books addition or library or

read free individual fcat results 2014 cyberlab sutd edu sg - Jan 14 2023

web 2 individual fcat results 2014 2023 01 12 activities and case studies at lay the foundation for understanding all aspects

of evaluation develops critical thinking skills needed to

[fcat retake results 2014 cyberlab sutd edu sg](#) - Sep 22 2023

web fcat retake results 2014 first aid for the usmle step 1 2014 sep 30 2020 the world's bestselling medical review book with more than 1 250 frequently tested facts and

individual fcat results 2014 mail lafamigliawv com - Dec 13 2022

web individual fcat results 2014 wrightslaw florida yellow pages for kids with disabilities fcat 2 0 reading retake graduation purposes will participate in the fcat 2 0

[pdf download individual fcat results 2014 pdf epub pdf](#) - Apr 17 2023

web education established passing scores for each fcat 2 0 assessment on january 21 2014 the passing score on fcat 2 0 reading mathematics and science assessments and

[individual fcat results 2014 pdf mail gestudy byu edu](#) - Dec 01 2021

[individual fcat results 2014 imgur](#) - Jul 20 2023

web find rate and share the best memes and images discover the magic of the internet at imgur

[2014 formula 1 singapore airlines singapore](#) - Jun 07 2022

web 2011 2014 fcat 2 0 demographic results for fcat 2 0 reading grades 3 10 fcat 2 0 mathematics grades 3 8 and fcat 2 0 writing grades 4 8 and 10 for the state

[cat 2022 result declared on iimcat ac in check cat scorecard](#) - Jan 02 2022

web may 29 2023 individual fcat results 2014 pdf this is likewise one of the factors by obtaining the soft documents of this individual fcat results 2014 pdf by online you

fcat scores brevard county - Apr 05 2022

web dec 21 2022 this year the cat 2022 exam was conducted on november 27 in a computer based mode the cat 2022 exam was conducted in three slots slot 1 of the

cat 2023 result expected date iim cat score percentile - Feb 03 2022

web dec 21 2022 step 1 visit the official website iim cat at iimcat ac in step 2 on the homepage click on link available for iim cat result 2022 step 3 a new page will

2014 florida department of education - Jun 19 2023

web fcat 2 0 and eoc results 2011 2014 fcat and previous assessment results 2010 and prior interactive reporting retrofitted statewide assessment scores florida

[fcat demographic report](#) - May 06 2022

web brevard s fcat scores offer mixed results florida today june 6th 2014 brevard fcat scores released this morning showed mixed results on the standardized reading math

individual fcat results 2014 uniport edu ng - Aug 09 2022

web for individual students such as the decision to be promoted to a higher grade or even to graduate with a high school diploma while florida underwent a change in its testing

individual fcat results 2014 uniport edu ng - Oct 11 2022

web mar 21 2023 discover the notice individual fcat results 2014 pdf that you are looking for it will enormously squander the time however below past you visit this web page it

individual fcat results 2014 pdf gestudy byu edu - Sep 10 2022

web sep 2 2023 individual fcat results 2014 2 15 downloaded from uniport edu ng on september 2 2023 by guest the one item that was absent from most election

pdf fcat scores 2014 - Oct 23 2023

web fcat scores 2014 higher education accountability mar 09 2023 the first comprehensive overview charting the accountability of higher education as the price tag of higher education continues to rise colleges and universities across the country are under increasing

fcats results 2014 2023 cyberlab sutd edu sg - Aug 21 2023

web dangerous real estate asset bubbles wrestling greco roman results yearbook 2014 feb 04 2021 all results of the individual tournaments are listed in full with all

results florida department of education - May 18 2023

web mar 18 2021 download epub individual fcat results 2014 kobo pdf read online individual fcat results 2014 mobipocket google ebookstore study free books online

the price of high stakes educational testing estimating the - Jul 08 2022

web 2014 formula 1 singapore airlines singapore grand prix race result 21 sep 2014 marina bay street circuit singapore pos