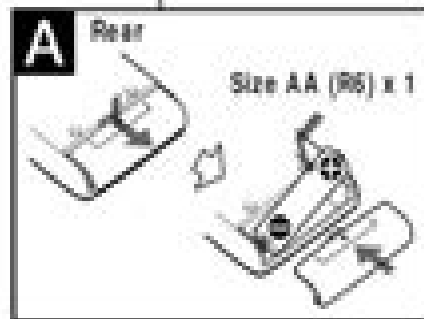
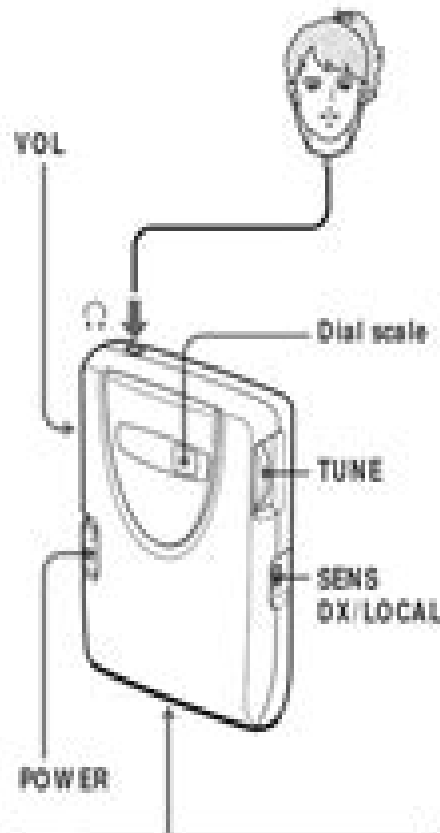


FM Stereo Radio

Operating Instructions

SFF-46

Sony Corporation © 1987 Printed in China



Installing the Battery (See Fig. A)

- 1 Open the battery compartment lid at the rear of the radio.
- 2 Insert one size AA (R6) battery (not supplied) with the ⊕ and ⊖ marks aligned correctly.
- 3 Close the battery compartment lid.

When to replace the battery

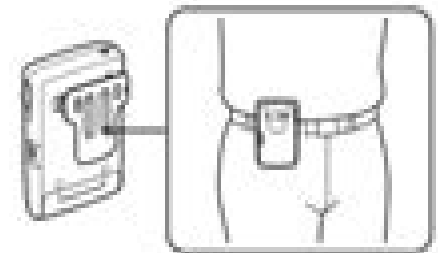
Replace the battery when the sound becomes weak or distorted. Remove the old battery and insert a new one.

Notes on the battery

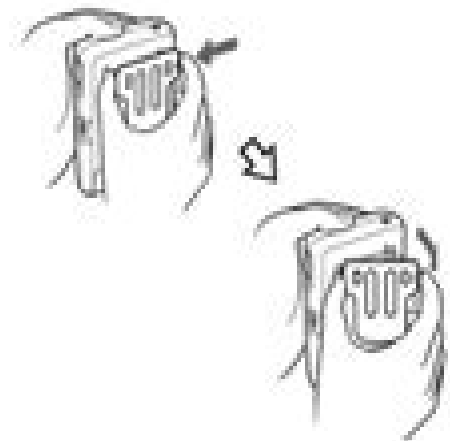
- Align the battery correctly.
- The dry battery cannot be charged.
- To avoid damage from possible battery leakage, remove the battery when use will not be used for a long time.

Using the Belt Holder

Detach the belt holder as the illustration shows.



To detach



Playing the Radio

- 1 Connect the supplied headphones to () (headphones) jack.
- 2 Set POWER to ON to turn on the radio.
- 3 Turn TUNE to tune in a station.
- 4 Adjust VOL (volume).

- To turn off the radio, set POWER to OFF.
- To improve reception: Extend the headphones cord which functions as the FM antenna.
- Set SENS to LOCAL if interference is prevalent when radio wave intensity is dramatically stronger. To listen to stereo programs, set to DX.

WARNING

You are cautioned that any changes or modifications not expressly approved in this manual could void your authority to operate this equipment.

Before You Begin

Thank you for choosing the Sony radio! It will give you many hours of reliable service and listening pleasure.

Before operating the radio, please read these instructions thoroughly and retain them for future reference.

Sony Srf 46 Radios Owners Manual

Hugo Gernsback



Sony Srf 46 Radios Owners Manual:

Popular Electronics ,1980 **Popular Photography** ,1993-10 **Popular Photography** ,1996-05 Hi Fi/stereo Review ,1982 *Popular Photography* ,1993-05 *Stereo Review* ,1982 Popular Photography ,1992-06 *Popular Photography* ,1993-03 **Popular Photography** ,1991-01 **Popular Photography** ,1992-07 **Popular Photography** ,1991-01 *Digital Dreams* Paul Kunkel,1999 For the past half century the Sony Corporation has been highly successful at tapping the seductive nature of consumer electronics Around the globe their products are recognized as symbols of cutting edge technology and innovative design making Sony the undisputed leader in high tech and one of the most recognized brand names in the world This book takes an unprecedented look inside the world s most influential design center and their products many never before published for the next millennium With nearly 250 industrial designers graphic packaging and logotype designers user interface specialists and Web designers working in offices from Tokyo to San Francisco to Cologne the Sony Design Center is responsible for nearly 2 000 new products concepts packaging schemes and design strategies every year By shaping the most pivotal technologies of our time the Design Center exerts a greater influence on popular culture and current trends in industrial and graphic design than any other single entity From publisher description

Popular Photography ,1992-11 **Consumers Index to Product Evaluations and Information Sources** ,1982
National Lampoon ,1982 Popular Photography ,1994 **Popular Photography** ,1984-12 **Autocar** ,1999
Sony FM Stereo Receiver SRF-5 Soni Kabushiki Kaisha,1983 Official Radio Service Manual Hugo Gernsback,1977-04-01

Embark on a breathtaking journey through nature and adventure with Explore with is mesmerizing ebook, Witness the Wonders in **Sony Srf 46 Radios Owners Manual** . This immersive experience, available for download in a PDF format (PDF Size: *), transports you to the heart of natural marvels and thrilling escapades. Download now and let the adventure begin!

https://movement.livewellcolorado.org/files/uploaded-files/Download_PDFS/fetal%20alcohol%20abuse%20syndrome.pdf

Table of Contents Sony Srf 46 Radios Owners Manual

1. Understanding the eBook Sony Srf 46 Radios Owners Manual
 - The Rise of Digital Reading Sony Srf 46 Radios Owners Manual
 - Advantages of eBooks Over Traditional Books
2. Identifying Sony Srf 46 Radios Owners Manual
 - Exploring Different Genres
 - Considering Fiction vs. Non-Fiction
 - Determining Your Reading Goals
3. Choosing the Right eBook Platform
 - Popular eBook Platforms
 - Features to Look for in an Sony Srf 46 Radios Owners Manual
 - User-Friendly Interface
4. Exploring eBook Recommendations from Sony Srf 46 Radios Owners Manual
 - Personalized Recommendations
 - Sony Srf 46 Radios Owners Manual User Reviews and Ratings
 - Sony Srf 46 Radios Owners Manual and Bestseller Lists
5. Accessing Sony Srf 46 Radios Owners Manual Free and Paid eBooks
 - Sony Srf 46 Radios Owners Manual Public Domain eBooks
 - Sony Srf 46 Radios Owners Manual eBook Subscription Services
 - Sony Srf 46 Radios Owners Manual Budget-Friendly Options
6. Navigating Sony Srf 46 Radios Owners Manual eBook Formats

- ePub, PDF, MOBI, and More
 - Sony Srf 46 Radios Owners Manual Compatibility with Devices
 - Sony Srf 46 Radios Owners Manual Enhanced eBook Features
7. Enhancing Your Reading Experience
 - Adjustable Fonts and Text Sizes of Sony Srf 46 Radios Owners Manual
 - Highlighting and Note-Taking Sony Srf 46 Radios Owners Manual
 - Interactive Elements Sony Srf 46 Radios Owners Manual
 8. Staying Engaged with Sony Srf 46 Radios Owners Manual
 - Joining Online Reading Communities
 - Participating in Virtual Book Clubs
 - Following Authors and Publishers Sony Srf 46 Radios Owners Manual
 9. Balancing eBooks and Physical Books Sony Srf 46 Radios Owners Manual
 - Benefits of a Digital Library
 - Creating a Diverse Reading Collection Sony Srf 46 Radios Owners Manual
 10. Overcoming Reading Challenges
 - Dealing with Digital Eye Strain
 - Minimizing Distractions
 - Managing Screen Time
 11. Cultivating a Reading Routine Sony Srf 46 Radios Owners Manual
 - Setting Reading Goals Sony Srf 46 Radios Owners Manual
 - Carving Out Dedicated Reading Time
 12. Sourcing Reliable Information of Sony Srf 46 Radios Owners Manual
 - Fact-Checking eBook Content of Sony Srf 46 Radios Owners Manual
 - Distinguishing Credible Sources
 13. Promoting Lifelong Learning
 - Utilizing eBooks for Skill Development
 - Exploring Educational eBooks
 14. Embracing eBook Trends
 - Integration of Multimedia Elements
 - Interactive and Gamified eBooks

Sony Srf 46 Radios Owners Manual Introduction

Free PDF Books and Manuals for Download: Unlocking Knowledge at Your Fingertips In today's fast-paced digital age, obtaining valuable knowledge has become easier than ever. Thanks to the internet, a vast array of books and manuals are now available for free download in PDF format. Whether you are a student, professional, or simply an avid reader, this treasure trove of downloadable resources offers a wealth of information, conveniently accessible anytime, anywhere. The advent of online libraries and platforms dedicated to sharing knowledge has revolutionized the way we consume information. No longer confined to physical libraries or bookstores, readers can now access an extensive collection of digital books and manuals with just a few clicks. These resources, available in PDF, Microsoft Word, and PowerPoint formats, cater to a wide range of interests, including literature, technology, science, history, and much more. One notable platform where you can explore and download free Sony Srf 46 Radios Owners Manual PDF books and manuals is the internet's largest free library. Hosted online, this catalog compiles a vast assortment of documents, making it a veritable goldmine of knowledge. With its easy-to-use website interface and customizable PDF generator, this platform offers a user-friendly experience, allowing individuals to effortlessly navigate and access the information they seek. The availability of free PDF books and manuals on this platform demonstrates its commitment to democratizing education and empowering individuals with the tools needed to succeed in their chosen fields. It allows anyone, regardless of their background or financial limitations, to expand their horizons and gain insights from experts in various disciplines. One of the most significant advantages of downloading PDF books and manuals lies in their portability. Unlike physical copies, digital books can be stored and carried on a single device, such as a tablet or smartphone, saving valuable space and weight. This convenience makes it possible for readers to have their entire library at their fingertips, whether they are commuting, traveling, or simply enjoying a lazy afternoon at home. Additionally, digital files are easily searchable, enabling readers to locate specific information within seconds. With a few keystrokes, users can search for keywords, topics, or phrases, making research and finding relevant information a breeze. This efficiency saves time and effort, streamlining the learning process and allowing individuals to focus on extracting the information they need. Furthermore, the availability of free PDF books and manuals fosters a culture of continuous learning. By removing financial barriers, more people can access educational resources and pursue lifelong learning, contributing to personal growth and professional development. This democratization of knowledge promotes intellectual curiosity and empowers individuals to become lifelong learners, promoting progress and innovation in various fields. It is worth noting that while accessing free Sony Srf 46 Radios Owners Manual PDF books and manuals is convenient and cost-effective, it is vital to respect copyright laws and intellectual property rights. Platforms offering free downloads often operate within legal boundaries, ensuring that the materials they provide are either in the public domain or authorized for distribution. By adhering to copyright laws, users can enjoy the benefits of free access to knowledge while supporting the authors and

publishers who make these resources available. In conclusion, the availability of Sony Srf 46 Radios Owners Manual free PDF books and manuals for download has revolutionized the way we access and consume knowledge. With just a few clicks, individuals can explore a vast collection of resources across different disciplines, all free of charge. This accessibility empowers individuals to become lifelong learners, contributing to personal growth, professional development, and the advancement of society as a whole. So why not unlock a world of knowledge today? Start exploring the vast sea of free PDF books and manuals waiting to be discovered right at your fingertips.

FAQs About Sony Srf 46 Radios Owners Manual Books

How do I know which eBook platform is the best for me? Finding the best eBook platform depends on your reading preferences and device compatibility. Research different platforms, read user reviews, and explore their features before making a choice. Are free eBooks of good quality? Yes, many reputable platforms offer high-quality free eBooks, including classics and public domain works. However, make sure to verify the source to ensure the eBook credibility. Can I read eBooks without an eReader? Absolutely! Most eBook platforms offer web-based readers or mobile apps that allow you to read eBooks on your computer, tablet, or smartphone. How do I avoid digital eye strain while reading eBooks? To prevent digital eye strain, take regular breaks, adjust the font size and background color, and ensure proper lighting while reading eBooks. What the advantage of interactive eBooks? Interactive eBooks incorporate multimedia elements, quizzes, and activities, enhancing the reader engagement and providing a more immersive learning experience. Sony Srf 46 Radios Owners Manual is one of the best book in our library for free trial. We provide copy of Sony Srf 46 Radios Owners Manual in digital format, so the resources that you find are reliable. There are also many Ebooks of related with Sony Srf 46 Radios Owners Manual. Where to download Sony Srf 46 Radios Owners Manual online for free? Are you looking for Sony Srf 46 Radios Owners Manual PDF? This is definitely going to save you time and cash in something you should think about.

Find Sony Srf 46 Radios Owners Manual :

fetal alcohol abuse syndrome

~~value of 2008 ford expedition~~

the marriage of figaro le nozze di figaro vocal score

2nd semester results taita taveta university college 2015

~~volvo penta steering systems repair manual s~~

[1996 seadoo xp manual](#)

here come the builders

[question out paper j s c](#)

novel road map to success the great gatsby answers

[1996 skandic 380 manual](#)

modern biology study guide answer key biodiversity

[boeing 777 schematic](#)

year 5 english comprehension test

interface between psychiatry and anthropology

[where can i find 2spelling bee pronouncer guide](#)

Sony Srf 46 Radios Owners Manual :

sharpening online communication skills academy of art - Dec 30 2021

web sharpening online communication skills academy of art is available in our digital library an online access to it is set as public so you can download it instantly our book

sharpening online communication skills academy of art pdf pdf - Jun 16 2023

web jul 15 2023 each success next to the publication as well as acuteness of this sharpening online communication skills academy of art pdf can be taken as

sharpening online communication skills academy of art - Oct 28 2021

web sharpening online communication skills academy of art is nearby in our digital library an online entrance to it is set as public hence you can download it the sharpening

sharpening online communication skills academy of art - Jul 05 2022

web kindly say the sharpening online communication skills academy of art is universally compatible with any devices to read broadcasting cable 1997 redefining liberal arts

sharpening online communication skills academy of art - Aug 18 2023

web sharpening online communication skills academy of art april 29th 2018 the royal academy of arts this course offers a unique opportunity to learn about the curious

sharpening online communication skills academy of art pdf - May 03 2022

web may 25 2023 sharpening online communication skills academy of art 2 10 downloaded from uniport edu ng on may 25 2023 by guest visual resources

sharpening online communication skills academy of art pdf book - Jul 17 2023

web mar 23 2023 sharpening online communication skills academy of art pdf right here we have countless books

sharpening online communication skills academy

sharpening online communication skills academy of art - Sep 07 2022

web sharpening online communication skills academy of art after getting deal so next you require the ebook swiftly you can straight get it its fittingly categorically simple and

sharpening online communication skills academy of art pdf - Apr 14 2023

web mar 10 2023 sharpening online communication skills academy of art free websharpening online communication skills academy of art pdf on the most

sharpening online communication skills academy of art - May 15 2023

web sharpening online communication skills academy of art is available in our book collection an online access to it is set as public so you can get it instantly our book

sharpening online communication skills academy of art pdf - Mar 13 2023

web appropriate resources to find answers to challenging questions sharpen their interpersonal communication skills as they share health knowledge debate

sharpening online communication skills academy of art cynthia - Jan 31 2022

web sharpening online communication skills academy of art and numerous books collections from fictions to scientific research in any way in the course of them is this

sharpen english meaning cambridge dictionary - Nov 09 2022

web sharpen definition 1 to make something sharp or sharper 2 to make something stronger 3 to improve learn more

sharpening online communication skills academy of art pdf - Mar 01 2022

web apr 9 2023 sharpening online communication skills academy of art below preparing for your moment to lead jacob isaac 2023 02 14 are you ready for your moment to

sharpening online communication skills academy of art 2022 - Feb 12 2023

web 2 sharpening online communication skills academy of art 2022 08 24 information and communication technologies in south african secondary schools cengage learning

sharpening english meaning cambridge dictionary - Dec 10 2022

web sharpening definition 1 present participle of sharpen 2 to make something sharp or sharper 3 to make something learn more

sharpen a skill definition and meaning collins online dictionary - Jan 11 2023

web oct 14 2023 sharpen a skill definition if your senses understanding or skills sharpen or are sharpened you become better at meaning pronunciation translations and

sharpening online communication skills academy of art - Jun 04 2022

web mar 24 2023 sharpening online communication skills academy of art 1 8 downloaded from uniport edu ng on march 24 2023 by guest sharpening online communication

sharpening online communication skills academy of art pdf - Apr 02 2022

web may 2 2023 sharpening online communication skills academy of art 1 11 downloaded from uniport edu ng on may 2 2023 by guest sharpening online communication

sharpening online communication skills academy of art - Aug 06 2022

web aug 3 2023 get students to use their higher order thinking skills hots with volume 4 sharpening skills this volume consists of activities that generally cover a combination

sharpening definition of sharpening by the free dictionary - Oct 08 2022

web define sharpening sharpening synonyms sharpening pronunciation sharpening translation english dictionary definition of sharpening tr intr v sharp ened

sharpening online communication skills academy of art - Nov 28 2021

web this on line declaration sharpening online communication skills academy of art as skillfully as review them wherever you are now effective business communication

sharpening online communication skills academy of art book - Sep 19 2023

web sharpening online communication skills academy of art sharpening online communication skills academy of art 2 downloaded from

a complete beginner s guide to creating your own home apothecary - Jun 12 2023

web aug 6 2023 what to stock in a home apothecary stocking a home apothecary is very similar to stocking a home pantry since you ll be making many of your own herbal remedies from scratch i recommend stocking up on a variety of versatile staple items that can be used to create a wide variety of homemade medicines and cosmetics

evde saglik bakim hizmetleri mediana saglik grubu - Jan 27 2022

home page the outdoor apothecary - May 31 2022

web homopharmacy gr Το online Φαρμακείο της Καρδίτσας Επιστροφή στο Σχολείο ΠΕΡΙΣΣΟΤΕΡΑ special offers ΕΩΣ 65 Μοναδικές Προσφορές Δείτε περισσότερα frezyderm acnorm ΕΩΣ 43 Καθαριστικά προσώπου για λιπαρό με τάση

what to stock in a home apothecary the house homestead - Apr 10 2023

web jun 13 2022 home apothecary is the art of making your own medicinal preparations using herbs plants and other natural ingredients apothecary products can range from the very simple like herbal teas to the more complex like tinctures and salves

creating an herbal apothecary at home ginger tonic - Nov 05 2022

web jun 23 2018 online pharamcy istanbul turkey online pharmacy istanbul turkey set up in the year 2015 our moto is to give the medicine or the things to the clients at there accommodation at there doorstep customers can book there thing through our online entry calls or through whatsapp joins are given underneath

creating a home apothecary boots hooves homestead - Jan 07 2023

web dec 16 2022 i started our home apothecary using only natural herbal and homeopathic remedies about 5 years ago i ll never go back modern medicine has a time and a pla

creating your home herbal apothecary mountain - Oct 04 2022

web evde muayene sonucunda gerekli görülen tedavilerin uygulanmasını sağlamakla birlikte kronik hastalığı olan uzun süreli hemşirelik hizmetine ihtiyaç duyulan durumlarda 24 saat hemşirelik hizmeti verilmektedir evde enjeksiyon sc im iv evde iv ilaç uygulama evde kan alma evde pansuman evde yatak yarası

how to build a home apothecary using dried herbs tinctures - Feb 08 2023

web aug 22 2023 the outdoor apothecary inspires naturally minded people to live with the seasons become self reliant connect with nature and protect their health through herbal living we love celebrating the old ways of living to bring blessings to ourselves our families communities and to mother earth we offer articles tips recipes and ideas on

retailers frama - Nov 24 2021

zara home türkiye resmi site - Oct 24 2021

online niş kozmetik - Dec 26 2021

start an amazing home apothecary with these - Aug 14 2023

web jul 22 2023 what is a home apothecary herbalism is the study and practice of using herbs for their medicinal properties herbs have been used to heal the body and enrich the mind body and spirit since time immemorial home apothecaries are an ancient tradition that have been passed down through many cultures for centuries

google maps - Aug 22 2021

homemaking taking care of my family s health building a - Apr 29 2022

web find local businesses view maps and get driving directions in google maps

home apothecary essentials it s my sustainable life - Mar 09 2023

web building your home apothecary empower yourself with the knowledge you need to care for yourself and your loved ones

learn to make herbal remedies that really work and create your own home apothecary

create an organized home apothecary mother earth - May 11 2023

web apr 3 2022 having dried herbs is a must for your home apothecary not only can you make herbal tea infusions and decoctions but you can tincture and make infused oils from them to add to salves lip balms and lotions not only is it important to keep some individual herbs on hand but also have some pre blended for a quick tea

home apothecary 101 a beginner s guide to wildcrafting healing - Dec 06 2022

web sepete ekle the organic pharmacy hydrating foundation organik nemlendirici fondöten no 4 30ml kargo bedava 502 50 tl sepete ekle the organic pharmacy hydrating translucent powder organik Şeffaf pudra 5gr 402 00 tl sepete ekle the organic pharmacy rose facial spritz gül Özlü organik tonik 100ml

home apothecary all you need to know to create - Aug 02 2022

web retailers filter by selections apothecary furniture home goods lighting accessories kitchen australia

homepharmacy gr To online Φαρμακείο της Καρδίτσας - Sep 22 2021

how to stock your winter home apothecary herbal - Sep 03 2022

web 3 023 00 tl yeni pour femme with led screen edp 150 ml kadın parfüm

the organic pharmacy Ürünleri ve fiyatları dermokozmetika - Mar 29 2022

complete home apothecary start up guide indie herbalist - Jul 13 2023

web apr 10 2018 luckily by following a few simple tips and techniques your home apothecary can reach its full potential and help keep you healthy for years to come choose herbs that meet your needs the most important place to begin with any home apothecary is to accurately assess your home health care needs

online pharamcy istanbul turkey online medical store omsi in - Feb 25 2022

build your home apothecary hawthorn honey - Jul 01 2022

web ev dekorasyonu ve tekstil ürünlerinde en son trendler zara home da en kaliteli ve yeni tasarım nevresim yemek takımı havlu ve dekorasyon aksesuarları

roblox where s the noob search and find book amazon ae - Jan 09 2023

web roblox where s the noob search and find book hardcover coloring book 3 october 2019 by farshore author 4 7 3 227 ratings see all formats and editions

roblox where s the noob by official roblox goodreads - Feb 10 2023

web nov 12 2019 4 52 23 ratings3 reviews embark on a search and find adventure with fan favorite roblox characters join builderman ezebel the pirate queen mr bling bling

roblox where s the noob search and find book farshore - Dec 28 2021

web roblox where s the noob search and find book by farshore 9781405294638 buy new second hand used books online with free uk delivery at awesomebooks com

roblox where s the noob search and find book - Oct 18 2023

web oct 3 2019 embark on a search and find adventure with fan favourite roblox characters join builderman ezebel the pirate queen mr bling bling and other iconic characters as they journey through the imaginative worlds of roblox on a quest to find the

roblox where s the noob search and find book hardcover - Apr 12 2023

web roblox where s the noob search and find book 9781405294638 books amazon ca buy used 14 23 free delivery october 30 november 20

roblox where s the noob search and find book - Nov 07 2022

web embark on a search and find adventure with fan favourite roblox characters join builderman ezebel the pirate queen mr bling bling and other iconic characters as

roblox where s the noob search and find book hardback - Aug 16 2023

web oct 3 2019 synopsis embark on a search and find adventure with fan favourite roblox characters join builderman ezebel the pirate queen mr bling bling and other iconic

roblox where s the noob harpercollins - Mar 11 2023

web nov 12 2019 embark on a search and find adventure with fan favorite roblox characters join builderman ezebel the pirate queen mr bling bling and other iconic

roblox where s the noob search and find book farshore - Aug 04 2022

web embark on a search and find adventure with fan favourite roblox characters join builderman ezebel the pirate queen mr bling bling and other iconic characters as

roblox where s the noob search and find book google books - May 13 2023

web bibliographic information embark on a search and find adventure with fan favourite roblox characters join builderman

ezebel the pirate queen mr bling bling and other iconic

roblox where s the noob search and find book hardcover - Sep 05 2022

web embark on a search and find adventure with fan favourite roblox characters join builderman ezebel the pirate queen mr bling bling and other iconic characters as

roblox where s the noob search and find book alibris - Jul 03 2022

web buy roblox where s the noob search and find book by farshore online at alibris we have new and used copies available in 1 editions starting at 15 05 shop now

roblox where s the noob search and find book hardcover - Sep 17 2023

web hello sign in account lists returns orders cart

roblox where s the noob search and find book - Mar 31 2022

web embark on a search and find adventure with fan favourite roblox characters join builderman ezebel the pirate queen mr bling bling and other iconic characters as

roblox where s the noob official roblox amazon com au - May 01 2022

web embark on a search and find adventure with fan favorite roblox characters join builderman ezebel the pirate queen mr bling bling and other iconic characters as

roblox where s the noob official roblox google books - Jun 02 2022

web embark on a search and find adventure with fan favorite roblox characters join builderman ezebel the pirate queen mr bling bling and other iconic characters as

roblox where s the noob search and find book by farshore - Oct 06 2022

web oct 3 2019 join builderman ezebel the pirate queen mr bling bling and other iconic characters as they journey through the imaginative worlds of roblox on a quest to find

roblox where s the noob search and find book - Jun 14 2023

web embark on a search and find adventure with fan favourite roblox characters join builderman ezebel the pirate queen mr bling bling and other iconic characters as

roblox where s the noob search and find book alibris - Feb 27 2022

web embark on a search and find adventure with fan favourite roblox characters join builderman ezebel the pirate queen mr bling bling and other iconic characters as

roblox where s the noob search and find book - Jul 15 2023

web oct 3 2019 4 31 13 ratings0 reviews embark on a search and find adventure with fan favourite roblox characters join builderman the pirate queen mr bling bling and

roblox where s the noob search and find book wordsworth - Jan 29 2022

web embark on a search and find adventure with fan favourite roblox characters join builderman ezebel the pirate queen mr bling bling and other iconic characters as

roblox where s the noob search and find book - Dec 08 2022

web sar 29 00 1 new from sar 29 00 embark on a search and find adventure with fan favourite roblox characters join builderman ezebel the pirate queen mr bling