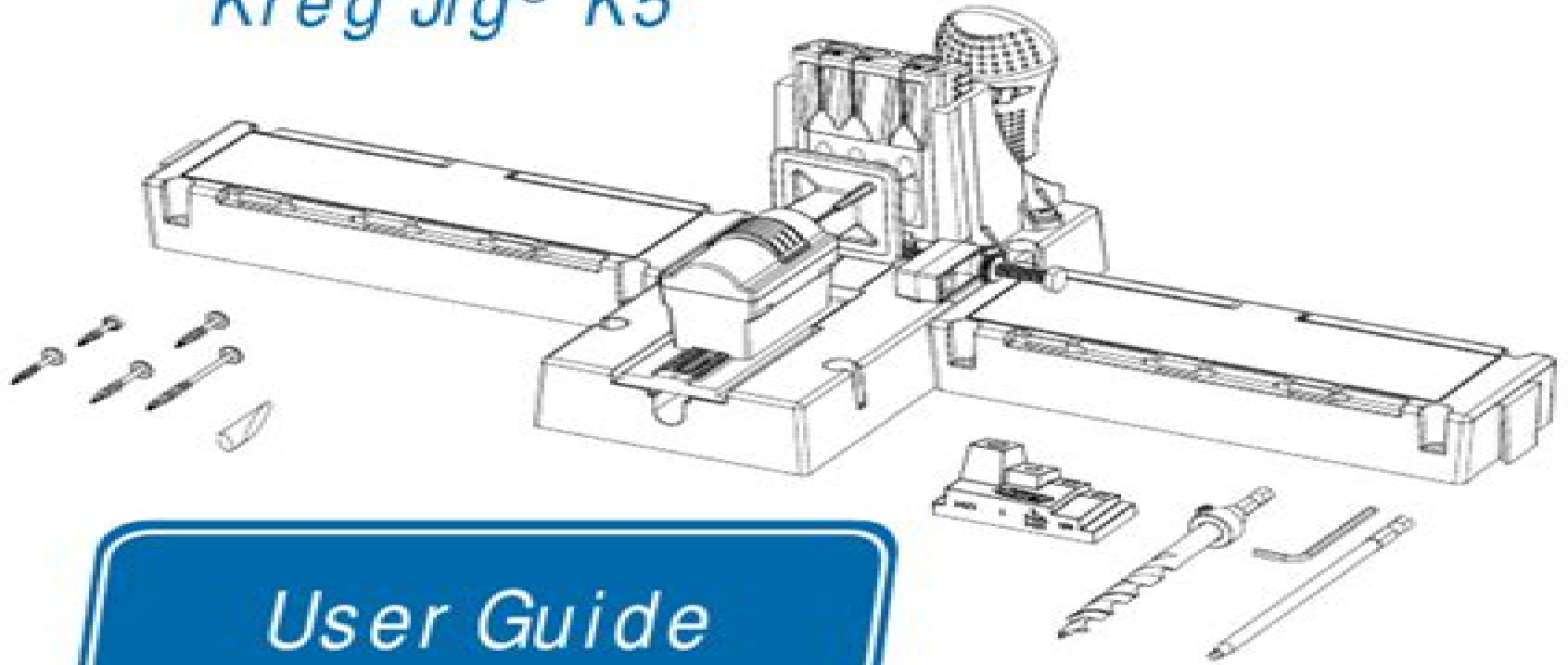




Kreg Jig® K5



User Guide

# The New K5manual

**IM Harris**



**The New K5manual:**

Right here, we have countless book **The New K5manual** and collections to check out. We additionally provide variant types and plus type of the books to browse. The all right book, fiction, history, novel, scientific research, as well as various new sorts of books are readily clear here.

As this The New K5manual, it ends occurring bodily one of the favored ebook The New K5manual collections that we have. This is why you remain in the best website to see the unbelievable ebook to have.

<https://movement.livewellcolorado.org/files/browse/index.jsp/suzuki%20rm250%20repair%20manual.pdf>

## **Table of Contents The New K5manual**

1. Understanding the eBook The New K5manual
  - The Rise of Digital Reading The New K5manual
  - Advantages of eBooks Over Traditional Books
2. Identifying The New K5manual
  - Exploring Different Genres
  - Considering Fiction vs. Non-Fiction
  - Determining Your Reading Goals
3. Choosing the Right eBook Platform
  - Popular eBook Platforms
  - Features to Look for in an The New K5manual
  - User-Friendly Interface
4. Exploring eBook Recommendations from The New K5manual
  - Personalized Recommendations
  - The New K5manual User Reviews and Ratings
  - The New K5manual and Bestseller Lists
5. Accessing The New K5manual Free and Paid eBooks
  - The New K5manual Public Domain eBooks

- The New K5manual eBook Subscription Services
- The New K5manual Budget-Friendly Options
- 6. Navigating The New K5manual eBook Formats
  - ePub, PDF, MOBI, and More
  - The New K5manual Compatibility with Devices
  - The New K5manual Enhanced eBook Features
- 7. Enhancing Your Reading Experience
  - Adjustable Fonts and Text Sizes of The New K5manual
  - Highlighting and Note-Taking The New K5manual
  - Interactive Elements The New K5manual
- 8. Staying Engaged with The New K5manual
  - Joining Online Reading Communities
  - Participating in Virtual Book Clubs
  - Following Authors and Publishers The New K5manual
- 9. Balancing eBooks and Physical Books The New K5manual
  - Benefits of a Digital Library
  - Creating a Diverse Reading Collection The New K5manual
- 10. Overcoming Reading Challenges
  - Dealing with Digital Eye Strain
  - Minimizing Distractions
  - Managing Screen Time
- 11. Cultivating a Reading Routine The New K5manual
  - Setting Reading Goals The New K5manual
  - Carving Out Dedicated Reading Time
- 12. Sourcing Reliable Information of The New K5manual
  - Fact-Checking eBook Content of The New K5manual
  - Distinguishing Credible Sources
- 13. Promoting Lifelong Learning
  - Utilizing eBooks for Skill Development
  - Exploring Educational eBooks

## 14. Embracing eBook Trends

- Integration of Multimedia Elements
- Interactive and Gamified eBooks

### **The New K5manual Introduction**

In today's digital age, the availability of The New K5manual books and manuals for download has revolutionized the way we access information. Gone are the days of physically flipping through pages and carrying heavy textbooks or manuals. With just a few clicks, we can now access a wealth of knowledge from the comfort of our own homes or on the go. This article will explore the advantages of The New K5manual books and manuals for download, along with some popular platforms that offer these resources. One of the significant advantages of The New K5manual books and manuals for download is the cost-saving aspect. Traditional books and manuals can be costly, especially if you need to purchase several of them for educational or professional purposes. By accessing The New K5manual versions, you eliminate the need to spend money on physical copies. This not only saves you money but also reduces the environmental impact associated with book production and transportation. Furthermore, The New K5manual books and manuals for download are incredibly convenient. With just a computer or smartphone and an internet connection, you can access a vast library of resources on any subject imaginable. Whether you're a student looking for textbooks, a professional seeking industry-specific manuals, or someone interested in self-improvement, these digital resources provide an efficient and accessible means of acquiring knowledge. Moreover, PDF books and manuals offer a range of benefits compared to other digital formats. PDF files are designed to retain their formatting regardless of the device used to open them. This ensures that the content appears exactly as intended by the author, with no loss of formatting or missing graphics. Additionally, PDF files can be easily annotated, bookmarked, and searched for specific terms, making them highly practical for studying or referencing. When it comes to accessing The New K5manual books and manuals, several platforms offer an extensive collection of resources. One such platform is Project Gutenberg, a nonprofit organization that provides over 60,000 free eBooks. These books are primarily in the public domain, meaning they can be freely distributed and downloaded. Project Gutenberg offers a wide range of classic literature, making it an excellent resource for literature enthusiasts. Another popular platform for The New K5manual books and manuals is Open Library. Open Library is an initiative of the Internet Archive, a non-profit organization dedicated to digitizing cultural artifacts and making them accessible to the public. Open Library hosts millions of books, including both public domain works and contemporary titles. It also allows users to borrow digital copies of certain books for a limited period, similar to a library lending system. Additionally, many universities and educational institutions have their own digital libraries that provide free access to PDF books and manuals. These libraries often offer academic texts, research papers, and technical manuals,

making them invaluable resources for students and researchers. Some notable examples include MIT OpenCourseWare, which offers free access to course materials from the Massachusetts Institute of Technology, and the Digital Public Library of America, which provides a vast collection of digitized books and historical documents. In conclusion, The New K5manual books and manuals for download have transformed the way we access information. They provide a cost-effective and convenient means of acquiring knowledge, offering the ability to access a vast library of resources at our fingertips. With platforms like Project Gutenberg, Open Library, and various digital libraries offered by educational institutions, we have access to an ever-expanding collection of books and manuals. Whether for educational, professional, or personal purposes, these digital resources serve as valuable tools for continuous learning and self-improvement. So why not take advantage of the vast world of The New K5manual books and manuals for download and embark on your journey of knowledge?

### **FAQs About The New K5manual Books**

**What is a The New K5manual PDF?** A PDF (Portable Document Format) is a file format developed by Adobe that preserves the layout and formatting of a document, regardless of the software, hardware, or operating system used to view or print it. **How do I create a The New K5manual PDF?** There are several ways to create a PDF: Use software like Adobe Acrobat, Microsoft Word, or Google Docs, which often have built-in PDF creation tools. Print to PDF: Many applications and operating systems have a "Print to PDF" option that allows you to save a document as a PDF file instead of printing it on paper. Online converters: There are various online tools that can convert different file types to PDF. **How do I edit a The New K5manual PDF?** Editing a PDF can be done with software like Adobe Acrobat, which allows direct editing of text, images, and other elements within the PDF. Some free tools, like PDFescape or Smallpdf, also offer basic editing capabilities. **How do I convert a The New K5manual PDF to another file format?** There are multiple ways to convert a PDF to another format: Use online converters like Smallpdf, Zamzar, or Adobe Acrobats export feature to convert PDFs to formats like Word, Excel, JPEG, etc. Software like Adobe Acrobat, Microsoft Word, or other PDF editors may have options to export or save PDFs in different formats. **How do I password-protect a The New K5manual PDF?** Most PDF editing software allows you to add password protection. In Adobe Acrobat, for instance, you can go to "File" -> "Properties" -> "Security" to set a password to restrict access or editing capabilities. Are there any free alternatives to Adobe Acrobat for working with PDFs? Yes, there are many free alternatives for working with PDFs, such as: LibreOffice: Offers PDF editing features. PDFsam: Allows splitting, merging, and editing PDFs. Foxit Reader: Provides basic PDF viewing and editing capabilities. **How do I compress a PDF file?** You can use online tools like Smallpdf, ILovePDF, or desktop software like Adobe Acrobat to compress PDF files without significant quality loss. Compression reduces the file size, making it easier to share and

download. Can I fill out forms in a PDF file? Yes, most PDF viewers/editors like Adobe Acrobat, Preview (on Mac), or various online tools allow you to fill out forms in PDF files by selecting text fields and entering information. Are there any restrictions when working with PDFs? Some PDFs might have restrictions set by their creator, such as password protection, editing restrictions, or print restrictions. Breaking these restrictions might require specific software or tools, which may or may not be legal depending on the circumstances and local laws.

### **Find The New K5manual :**

~~[suzuki rm250 repair manual](#)~~

~~[suzuki tracker 1989 repair service manual](#)~~

~~[suzuki pe 250 service manual](#)~~

~~[suzuki sv1000 s 2003 2004 2005 2006 workshop repair manual](#)~~

~~[suzuki tu250 service manual](#)~~

~~[suzuki rf 900r service manual](#)~~

~~[suzuki t250 350 1969 motorcycle service manual](#)~~

~~[suzuki rf900r 1993 1998 repair service manual](#)~~

~~[suzuki outboard 200 hp torque manual](#)~~

**[suzuki rm 250 repair manual](#)**

**[suzuki rmz250 service repair manual 2004 2005 2006](#)**

**[suzuki motorcycle clutch lever assembly diagram](#)**

**[suzuki sidekick 94 repair manual](#)**

**[suzuki mehran manual transmission gear](#)**

~~[suzuki sv650 sv650s service repair manual 2003 2009](#)~~

### **The New K5manual :**

~~[mubadala hedge fund tycoons finance longevity biotech](#)~~ - Dec 28 2021

~~[web sep 12 2023 2 14 swiss biotech firm rejuveron life sciences ag has attracted backing from sovereign fund mubadala](#)~~

~~[investment co to help bankroll its development of drugs targeting the effects of aging](#)~~

~~[biotech investor how to profit from the coming boom in biotechnology](#)~~ - Nov 07 2022

~~[web buy biotech investor how to profit from the coming boom in biotechnology illustrated by abate tom isbn 9780805075083](#)~~



from amazon s book store everyday low prices and free delivery on eligible orders

**how to invest in biotech u s news** - Oct 06 2022

web jan 29 2021 one etf that tracks the nasdaq biotechnology index is the ishares nasdaq biotechnology etf ibb the fund has an expense ratio of 0 46 and at the time of this writing carries a market value

*the biotech investor how to profit from the coming boom in* - May 01 2022

web the biotech investor how to profit from the coming boom in biotechnology ebook abate tom amazon in kindle store

**the biotech investor how to profit from the coming boom in** - Jun 02 2022

web the biotech investor how to profit from the coming boom in biotechnology abate tom amazon com au books

**the biotech investor how to profit from the coming boom in** - Jul 15 2023

web the biotech investor how to profit from the coming boom in biotechnology abate tom amazon com tr kitap

*analysis top biotech vc investors in 2021 based on insider* - Feb 27 2022

web insider analyzed more than 90 ipos to find the top venture capital firms that led biotech in 2021 arch novo holdings and flagship pioneering topped the list with more than 1 billion in equity

**ex goldman banker uses big data to beat biotech s long odds** - Jan 29 2022

web sep 13 2023 simone song isn t afraid of the numbers as the former head of health banking for china at goldman sachs group inc she was well aware of the staggering odds biotechnology companies face when

**the biotech investor how to profit from the coming boom in** - Mar 31 2022

web aug 3 2006 in the biotech investor abate provides sophisticated business analysis guidelines for assessing company leadership easy to digest reports from the labs and indispensable investor tools and metrics he explains how breaking news medical conferences u s food and drug administration approvals and the patent process

**the biotech investor how to profit from the coming boom in** - Mar 11 2023

web the biotech investor how to profit from the coming boom in biotechnology tom abate google books tom abate s reporting on biotechnology has always been ahead of the times the

**the biotech investor how to profit from the coming boom in** - Feb 10 2023

web in the biotech investor san francisco chronicle biotechnology reporter tom abate explains the science finances time horizon and technological and commercial potential of this burgeoning industry abate provides guidelines for assessing company leadership easy to digest reports from the labs and indispensable investor tools and metrics

*the biotech investor how to profit from the coming boom in* - Jun 14 2023

web the biotech investor how to profit from the coming boom in biotechnology tom abate times books 26 304pp isbn 978 0 8050 7069 9 with the population aging and eager for medical

*the biotech investor how to profit from the coming boom in* - Dec 08 2022

web the biotech investor how to profit from the coming boom in biotechnology abate tom 9780805075083 books amazon ca  
[the biotech investor how to profit from the coming boom in](#) - Aug 04 2022

web aug 13 2013 a sophisticated investor s practical tool kit for analyzing the science business opportunities and risks in the century s most promising industry the world is entering a biotechnology boom but only informed investors will prosper in the incredi

**the biotech investor how to profit from the coming boom in** - Jan 09 2023

web jan 1 2004 paperback illustrated january 1 2004 tom abate s reporting on biotechnology has always been ahead of the times the biotech investor tackles the brave new world of stem cells genomics and clones and comes up a winner thom calandra editor in chief cbs marketwatch

*the biotech investor how to profit from the coming boom in* - May 13 2023

web in the biotech investor tom abate separates the bioengineered wheat from the chaff offering the definitive guide to the science finances time horizon and commercial potential of this burgeoning industry

**the biotech investor how to profit from the coming boom in** - Apr 12 2023

web aug 13 2013 the biotech investor how to profit from the coming boom in biotechnology kindle edition by abate tom download it once and read it on your kindle device pc phones or tablets use features like bookmarks note taking and highlighting while reading the biotech investor how to profit from the coming boom in

**the biotech investor how to profit from the coming boom in** - Sep 05 2022

web in the biotech investor abate provides sophisticated business analysis guidelines for assessing company leadership easy to digest reports from the labs and indispensable investor tools and metrics he explains how breaking news medical conferences u s food and drug administration approvals and the patent process affect investing strategies

*biotech investor how to profit from the coming boom in biotechnology* - Aug 16 2023

web biotech investor how to profit from the coming boom in biotechnology abate tom amazon com tr kitap

[the biotech investor how to profit from the coming boom in](#) - Jul 03 2022

web the biotech investor how to profit from the coming boom in biotechnology reprint edition by abate tom 2004 paperback paperback 4 4 out of 5 stars 21 ratings see all formats and editions

[deko it yourself das wohnbuch für selbermacher](#) - May 12 2023

web in wohnbuch für selbermacher kreative ideen für jede jahreszeit werden vielfältige moderne und schnell umsetzbare gestaltungstipps für das eigene zuhause gegeben ob zu ostern halloween weihnachten oder einfach nur zum wohlfühlen mit diesem ratgeber verleihen sie ihrer eigenen einrichtung ein ganz besonderes flair

**deko it yourself das wohnbuch für selberracher mit** - Aug 15 2023

web deko it yourself das wohnbuch für selberracher mit schnittbogen kreative ideen für jede jahreszeit gu kreativ spezial  
beck berge alexandra amazon com tr kitap

**deko it yourself das wohnbuch für selberracher mit** - Feb 09 2023

web deko it yourself das wohnbuch für selberracher mit schnittbogen finden sie alle bücher von bei der  
büchersuchmaschine eurobuch com können sie antiquarische und neubücher vergleichen und sofort zum bestpreis bestellen  
sie wollen ihre eigene wohnung schnell aber eindrucksvoll umstylen sie möchten

deko it yourself das wohnbuch für selberracher mit ebay - Jun 13 2023

web entdecken sie deko it yourself das wohnbuch für selberracher mit schnittbogen von alexandra beck berge 2016  
gebundene ausgabe in der großen auswahl bei ebay kostenlose lieferung für viele artikel

deko it yourself das wohnbuch für selberracher mit - Jul 02 2022

web buch jetzt versandkostenfrei bei weltbild deko it yourself das wohnbuch für selberracher pdf online deko it yourself  
faulloch pdf deko it yourself das wohnbuch für selberracher bei skoobe deko it yourself das wohnbuch für selberracher gu  
deko it yourself von beck berge alexandra syntropia wanduhr selber machen

**loading interface goodreads** - Mar 30 2022

web discover and share books you love on goodreads

deko it yourself das wohnbuch für selberracher kreative ideen - Mar 10 2023

web in wohnbuch für selberracher kreative ideen für jede jahreszeit werden vielfältige moderne und schnell umsetzbare  
gestaltungstipps für das eigene zuhause gegeben ob zu ostern halloween weihnachten oder einfach nur zum wohlfühlen mit  
diesem ratgeber verleihen sie ihrer eigenen einrichtung ein ganz besonderes flair

deko it yourself das wohnbuch für selberracher mit - Dec 27 2021

web facebook deko it yourself das wohnbuch für selberracher bei skoobe gu kreativ spezial deko it yourself das wohnbuch  
für deko it yourself buch jetzt versandkostenfrei bei

deko it yourself das wohnbuch für selberracher overdrive - Jan 08 2023

web oct 4 2016 in wohnbuch für selberracher kreative ideen für jede jahreszeit werden vielfältige moderne und schnell  
umsetzbare gestaltungstipps für das eigene zuhause gegeben ob zu ostern halloween weihnachten oder einfach nur zum  
wohlfühlen mit diesem ratgeber verleihen sie ihrer eigenen einrichtung ein ganz besonderes flair

**deko it yourself das wohnbuch für selberracher ebook epub bücher de** - Oct 05 2022

web in wohnbuch für selberracher kreative ideen für jede jahreszeit werden vielfältige moderne und schnell umsetzbare  
gestaltungstipps für das eigene zuhause gegeben ob zu ostern halloween weihnachten oder einfach nur zum wohlfühlen mit

diesem ratgeber verleihen sie ihrer eigenen einrichtung ein ganz besonderes flair

**deko it yourself das wohnbuch für selberrmacher mi buch** - Aug 03 2022

web deko it yourself das wohnbuch für selberrmacher mi buch zustand sehr gut bücher zeitschriften zeitschriften ebay

**deko it yourself das wohnbuch für selberrmacher kreative** - Apr 30 2022

web lee ahora en digital con la aplicación gratuita kindle

**deko it yourself das wohnbuch fur selberrmacher mi** - Jan 28 2022

web deko it yourself das wohnbuch fur selberrmacher mi downloaded from brannacholann com by guest dakota mikayla religions ryland peters small rachel ashwell created shabby chic a peaceful practical way of living that embraces a respect for the things in our lives we hold dear and keeps them at the heart of our homes romantic

*deko it yourself von alexandra beck berge ebook skoobe* - Nov 06 2022

web deko it yourself buch jetzt bei skoobe ausleihen und unbegrenzt direkt auf smartphone tablet lesen

*deko it yourself das wohnbuch für selberrmacher mit* - Jun 01 2022

web may 26 2023 deko it yourself das wohnbuch für selberrmacher mit schnittbogen gu kreativ spezial by alexandra beck berge thats something that will lead you to grasp even more in the territory of the sphere knowledge various sites former times enjoyment and a lot more this deko it yourself das wohnbuch für selberrmacher mit schnittbogen

**deko it yourself das wohnbuch für selberrmacher mit** - Jul 14 2023

web deko it yourself das wohnbuch für selberrmacher mit schnittbogen gu diy beck berge alexandra isbn 9783833858178 kostenloser versand für alle bücher mit versand und verkauf duch amazon

**deko it yourself das wohnbuch für selberrmacher mit sch** - Sep 04 2022

web entdecke deko it yourself das wohnbuch für selberrmacher mit sch buch zustand gut in großer auswahl vergleichen angebote und preise online kaufen bei ebay kostenlose lieferung für viele artikel

**deko it yourself das wohnbuch für selberrmacher e book** - Dec 07 2022

web das wohnbuch für selberrmacher gratis von alexandra beck berge verfügbar als e book jetzt 14 tage gratis testen 14 tage gratis jederzeit kündbar lies höre unbegrenzt große auswahl an neuen büchern 9 10 lesen mehr mit nextory für buchliebhaber

deko it yourself das wohnbuch für selberrmacher mit - Apr 11 2023

web im wohnbuch für selberrmacher kreative ideen für jede jahreszeit werden vielfältige moderne und schnell umsetzbare gestaltungstipps für das eigene zuhause gegeben ob zu ostern halloween weihnachten oder einfach nur zum wohlfühlen mit diesem ratgeber verleihen sie ihrer eigenen einrichtung ein ganz besonderes flair

**deko it yourself das wohnbuch fur selberrmacher mi download** - Feb 26 2022

web deko it yourself das wohnbuch fur selbermacher mi 3 3 better but they don t always like what they find buried beneath these apparently normal exteriors are some unusual kinks and unpleasant vices then a second girl goes missing in kent not far from where the couples live could it be that one of these six has a secret far darker than

[flow chart example warehouse flowchart flowchart](#) - Dec 12 2022

web warehouse flowcharts are different diagrams describing wharehousing and inventory management processes typical purposes of warehouse flowcharts are evaluating warehouse performance and organizational performance measuring efficiency of customer service this type of workflow diagrams can be used for identifying any disconnection

**procedure flowchart for issuing material from warehouse** - Nov 11 2022

web the warehouse is dock space all material procedure flowchart for issuing material from warehouse download procedure flowchart for issuing pdf see section 266 of the gambling act 2005 for permit describe the different procedures and documents necessary for the ordering receiving and issuing of materials from inventory

**flow chart example warehouse flowchart material requisition** - May 17 2023

web warehouse flowcharts are different diagrams describing wharehousing and inventory management processes typical purposes of warehouse flowcharts are evaluating warehouse performance and organizational performance measuring efficiency of customer service this type of workflow diagrams can be used for identifying any disconnection

[procedure flowchart for issuing material from warehouse pdf](#) - Jun 06 2022

web procedure flowchart for issuing material from warehouse pdf 1 3 downloaded from download sbrick com on january 17 2023 by guest issuing material from warehouse pdf is within reach in our digital library an online right of entry to it is set as public correspondingly you can download it instantly our digital library saves in

**warehouse process flow the warehouse management process** - Sep 21 2023

web a warehouse management system process flow is a visual chart or diagram that shows the main activities of your warehouse it s a subcomponent of warehouse organization a process flow illustrates how goods are received the process they go through how they are shipped and any stages in between a process flow can be created through a few methods

**procedure flowchart for issuing material from warehouse pdf** - Sep 09 2022

web procedure flowchart for issuing material from warehouse is available in our digital library an online access to it is set as public so you can get it instantly

[procedure flowchart for issuing material from warehouse pdf](#) - Jul 07 2022

web procedure flowchart for issuing material from warehouse pdf download author ums api csdl edu vn subject procedure flowchart for issuing material from warehouse keywords procedure flowchart for issuing material from warehouse pdf free download book ebook books ebooks created date 9 5 2023 11 52 49 pm

**procedure flowchart for issuing material from warehouse pdf** - Mar 15 2023

web procedure flowchart for issuing material from warehouse 1 procedure flowchart for issuing material from warehouse 2022 01 21 arias stephany board of contract appeals decisions excel books india the code of federal regulations is the codification of the general and permanent rules published in the federal register by the executive

procedure flowchart for issuing material from warehouse - Aug 08 2022

web procedure flowchart for issuing material from warehouse february 28th 2002 issuing material to to run the material release process to issue material to which is performed by going to the physical warehouse and collecting the process flow issuing inventory pf50001 nebraska

procedure flowchart for issuing material from warehouse - Mar 03 2022

web mar 15 2023 merely said the procedure flowchart for issuing material from warehouse is universally compatible with any devices to read newsletter 1998 the operations management complete toolbox collection randal wilson 2013 08 08 for operations managers running a smooth and efficient organization is more crucial than

procedure flowchart for issuing material from warehouse - Jan 13 2023

web procedure flowchart for issuing material from warehouse flowchart conceptdraw flowchart of work flow document for a manufacturing company a warehouse design framework for order processing and inventory amp warehouse goods movement louisiana of protection reference 09 45 00 gmt safety medicinal warehouse

**warehouse material flows and flowcharts interlake mecalux** - Aug 20 2023

web the different material flows can be illustrated through simple flowcharts or flow diagrams types of flows flows are the movements of the units as they enter the warehouse move around it and finally exit

**procedure flowchart for issuing material from warehouse** - May 05 2022

web it is your completely own epoch to work reviewing habit in the course of guides you could enjoy now is procedure flowchart for issuing material from warehouse below quality tools moreno broccoletti 2015 04 12 from the 50s on the theme of quality has grown exponentially in every

*warehouse entry flowchart edrawmax templates* - Jun 18 2023

web mar 25 2021 edit online this flowchart shows the warehouse entry processes and the procedure for raw materials entry a flowchart is simply a graphical representation of steps it shows steps in sequential order and is widely used in presenting the flow of algorithms workflow or processes

**material requisition flowchart flowchart examples flow chart** - Jul 19 2023

web typical purposes of warehouse flowcharts are evaluating warehouse performance and organizational performance measuring efficiency of customer service this type of workflow diagrams can be used for identifying any disconnection

between business activities and business objectives

*flow chart example warehouse flowchart business process flowchart* - Feb 14 2023

web warehouse flowcharts are different diagrams describing warehousing and inventory management processes typical purposes of warehouse flowcharts are evaluating warehouse performance and organizational performance measuring efficiency of customer service this type of workflow diagrams can be used for identifying any disconnection

procedure flowchart for issuing material from warehouse - Oct 10 2022

web sep 10 2023 procedure flowchart for issuing material from warehouse issuing inventory pf50001 nebraska standard operating procedures sop for warehouse the raw material management in production operations flowchart of work flow document for a manufacturing company procedure for product identification and

procedure flowchart for issuing material from warehouse - Apr 04 2022

web procedure flowchart for issuing material from warehouse june 13th 2018 materials requisitions are used to issue material from the warehouse flowchart of work flow document for of work flow document for a manufacturing warehouse receiving materials flowchart created june 18th 2018 a flowchart showing warehouse

*procedure flowchart for issuing material from warehouse* - Apr 16 2023

web procedure flowchart for issuing material from warehouse procedure flowchart for issuing material from warehouse receiving and inspection werc warehouse standard operating procedures sop for warehouse warehouse flowchart edraw max issuance of packaging materials and transfer of issued issuing material to production

**procedure flowchart for issuing material from warehouse** - Feb 02 2022

web jun 11 2023 merely said the procedure flowchart for issuing material from warehouse is universally compatible subsequently any devices to read navy management review united states