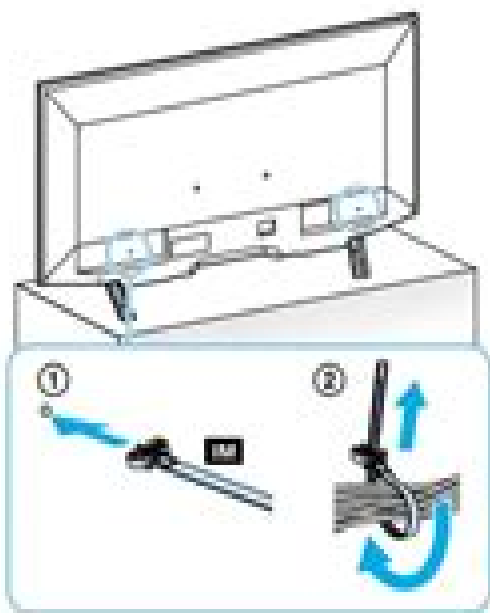
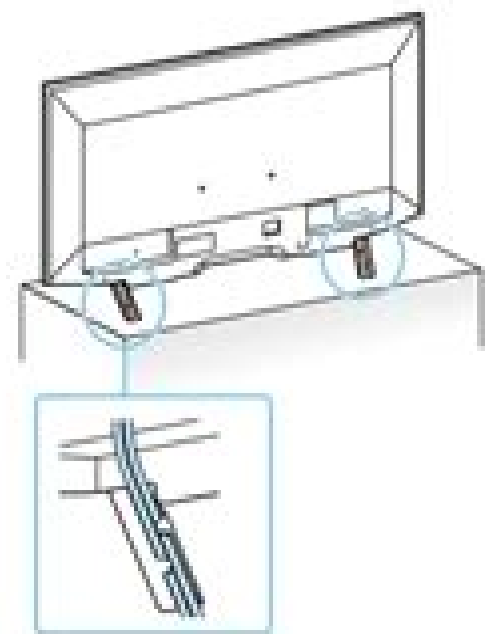




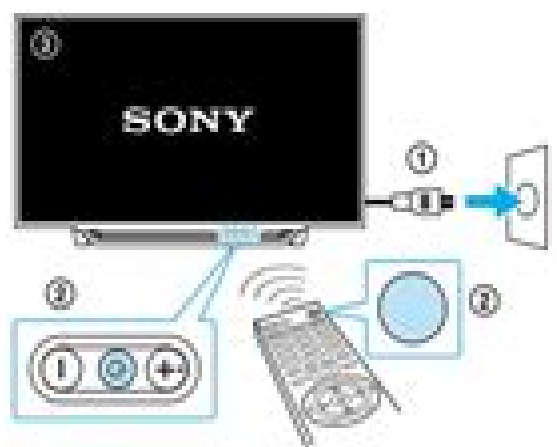
1



2



4



5



Sony Bravia User Guide

Melania June



Sony Bravia User Guide:

SONY BRAVIA XR8B SERIES USER GUIDE JUANITA G. MARCOUX, Unlock the Full Power of Your Sony BRAVIA XR8B Series TV in Minutes Even If You Are Not Tech Savvy Are you tired of staring at endless menus confused by advanced settings or struggling to get that perfect cinematic picture This complete beginner friendly Sony BRAVIA XR8B Series User Guide is your all in one companion to mastering your OLED Smart TV from unboxing to fine tuning every feature for an amazing entertainment experience Packed with expert instructions visuals and insider tips this manual transforms frustration into confidence Whether you are a first time user or upgrading your home theater setup you will learn to control customize and optimize your TV like a pro Turn confusion into clarity with step by step instructions you can follow easily Save time with simplified guides to setup operation and troubleshooting Get more from your TV using proven tips to unlock hidden features shortcuts and smart functions Inside This Complete User Guide You Will Discover How To Set up your Sony BRAVIA XR8B quickly and correctly for any room size Connect Wi Fi Bluetooth HDMI and smart home devices effortlessly Use Google TV features voice control and app integrations with ease Calibrate picture settings for perfect color brightness and sharpness Maximize audio quality with Acoustic Surface Audio and Voice Zoom 3 Master the rechargeable Bluetooth remote and shortcut buttons Configure PlayStation 5 exclusive features for smooth 4K gaming Adjust eco and energy settings to reduce power consumption Eliminate lag buffering or slow response issues instantly Explore advanced picture modes like IMAX Enhanced and Dolby Vision Update firmware safely to improve performance and stability Solve common problems such as no sound weak Wi Fi or screen flicker Protect your OLED panel and prevent image burn in Customize smart home control with Google Assistant and AirPlay 2 Learn essential maintenance and cleaning techniques for long term care Use the BRAVIA Cam and Smart Calibration features effectively Find hidden tips for faster navigation and smoother streaming Bring your Sony BRAVIA XR8B Series TV to life and experience vibrant visuals immersive sound and seamless performance every single time Get your copy now and enjoy your smart TV the way it was meant to be powerful effortless and entertaining **DISCLAIMER** This book is an independent publication and is not affiliated with endorsed authorized or sponsored by Sony Corporation All trademarks and product names are the property of their respective owners *BRAVIA Help: The Ultimate User Guide to Sony Smart TVs* Navneet Singh, Table of Contents Introduction to BRAVIA Setting Up Your BRAVIA TV Navigating the Home Screen and Menus Connecting to the Internet and Devices Streaming and Smart Features Picture and Sound Settings Voice Control and Google Assistant Software Updates and Security Troubleshooting Common Issues BRAVIA XR and Cognitive Intelligence Tips for Gamers BRAVIA PlayStation Remote Control Guide Using BRAVIA with Smart Home Ecosystems Advanced Settings and Customization Getting Support with BRAVIA Help *DirectTV Gemini Air Streaming Box User Guide* EVAN TECHMAN, UNLOCK THE FULL POWER OF YOUR DIRECTV GEMINI AIR Struggling to set up connect or master your new Gemini Air Streaming Box This all in one user guide makes everything effortless from installation to smart controls

Whether you're a beginner or tech savvy user this manual transforms confusion into confidence Inside you'll discover how to Set up and connect your Gemini Air step by step Pair and configure your remote instantly Stream live TV and on demand content smoothly Install and manage popular apps Netflix Prime Video etc Personalize profiles and preferences Optimize sound display and performance Fix Wi-Fi playback and sync issues fast Use voice commands and Google Assistant effectively Manage subscriptions and billing easily Unlock hidden tips for smoother streaming Take control of your entertainment experience today Order now and master your DirecTV Gemini Air like a pro

DISCLAIMER This book is an independent publication and is not affiliated with, endorsed, authorized or sponsored by DirecTV All trademarks and product names are the property of their respective owners

Roku Streaming Stick HD User Guide JUSTICE PROSE, Turn Your TV Into a Smarter, Simpler and More Enjoyable Entertainment Hub Without the Frustration Are you tired of struggling with confusing setup steps, hidden settings or endless buffering when all you want is to relax and watch your favorite shows? The Roku Streaming Stick HD is a powerful device, but only if you know how to unlock its full potential. Roku Streaming Stick HD User Guide: Easy Setup, App Tips, Troubleshooting for Smarter TV Entertainment is your complete, beginner-friendly yet expert-approved manual to mastering every feature of your Roku. Whether you're brand new to streaming or looking to get more out of your device, this guide takes you from unboxing to expert-level streaming with ease. Inside you'll discover:

- Step-by-step setup instructions with clear explanations and zero tech jargon
- Pro tips for customizing your home screen, organizing channels, and speeding up performance
- Secrets to streaming like a pro, from private listening to voice control
- Easy fixes for common problems like connection errors, lag, and remote issues
- Hidden features and shortcuts that Roku doesn't openly advertise
- App recommendations to maximize your entertainment experience

Why This Guide Is Different: Written in simple, friendly language for beginners, but packed with advanced strategies for power users. Includes real-world examples, time-saving shortcuts, and troubleshooting checklists. Designed for fast results so you spend less time reading and more time enjoying your Roku. Whether you want to stream in HD, organize your apps, connect your smart home, or fix annoying glitches, this book has you covered. Stop wasting time figuring things out the hard way. With this guide, you'll transform your TV experience from frustrating to effortless in just minutes. Get your copy now and start streaming smarter, faster, and better than ever.

APPLE TV USER GUIDE Katrine Isaksen, 2023-10-08

Unlocking Apple TV: Your Passport to Cutting-Edge Entertainment In today's fast-paced world, the way we consume entertainment has evolved dramatically, and Apple TV stands at the forefront of this revolution. It's no wonder that millions of people across the globe are buzzing with excitement about Apple TV, and the reasons are as abundant as the features it offers. Apple TV made its debut in 2016, initially designed for iPad, iPhone, and Apple TV users, with a mission to create a one-stop shop for all things media. Whether you've purchased media content from the iTunes store, are in search of your favorite television shows, or crave a universe of diverse entertainment, the Apple TV app is your gateway to a world of audiovisual delight.

Key Highlights: One-Stop Entertainment Hub, The Apple TV

app was a game changer when it first emerged in 2016 It streamlined the way we access media content bringing together purchases from the iTunes store your cherished TV shows and much more all in one place Say goodbye to the hassle of jumping between apps Apple TV offers a seamless experience Access to Premium Channels Apple TV doesn't stop at convenience it brings premium content right to your fingertips With channels like Showtime HBO Starz and the exclusive Apple TV Plus you can explore a vast array of entertainment options that cater to every taste Original Content Galore The launch of the Apple TV channel service on November 1 was a game changer It's the passport to a treasure trove of original content that transcends the boundaries of your device No matter where you are you now have unlimited access to a world of captivating stories and groundbreaking shows Sophistication Meets Affordability For those seeking the pinnacle of television technology without breaking the bank Apple TV is the perfect choice It combines the latest advancements in visual and audio quality with a price that doesn't leave your wallet gasping for air

The Ultimate User Guide Whether you're unboxing your very first Apple TV or simply want to squeeze every ounce of potential from your device this book is your ultimate guide From setup to customization navigation to troubleshooting we're here to ensure you have a seamless enjoyable experience So if you're ready to dive into the world of Apple TV or want to make the most of your existing device this book is your essential companion Apple TV is more than just a device it's a gateway to limitless entertainment and this book ensures you unlock its full potential The future of entertainment is here and it's called Apple TV Don't miss out on the next level of entertainment Order **Unlocking Apple TV** today and embark on a journey to unparalleled audiovisual experiences Your future TV nights will thank you for it

Roku Ultra Streaming Player User Guide EVAN TECHMAN, Unlock the Full Power of Your Roku Ultra Stream Smarter Faster and Better Than Ever Tired of struggling to set up your Roku Ultra or missing out on its best features You're not alone Many new users find the process confusing from pairing the remote to enabling HDR10 and Dolby Vision for breathtaking picture quality That's why this all in one Roku Ultra Streaming Player User Guide was written to turn your confusion into complete confidence With this guide you'll master your Roku Ultra in no time even if you're a total beginner You'll learn how to install configure and personalize your device step by step with clear instructions real life examples and smart pro tips that make your viewing experience effortless and enjoyable Whether you're streaming in 4K connecting Bluetooth headphones or optimizing your Wi-Fi 6 connection this guide walks you through it all no jargon no stress

What Makes This Guide Different Unlike generic manuals this book was crafted by a professional tech educator with years of experience helping users like you It's simple enough for seniors yet detailed enough for advanced streamers Every feature shortcut and hidden trick has been carefully explained in plain English so you can enjoy your entertainment not wrestle with setup screens **INSIDE YOU'LL DISCOVER HOW TO** Set up your Roku Ultra quickly and correctly even if you've never used a streaming device before Connect your TV sound system and internet for flawless 4K streaming Use Wi-Fi 6 or Ethernet for faster more stable playback without buffering Pair and recharge your Roku Voice Remote Pro and customize its

programmable buttons Activate hands free commands with Hey Roku for voice search and playback control Navigate the Roku Home Screen like a pro add organize and remove channels easily Install your favorite streaming apps Netflix Disney YouTube and more in minutes Stream in HDR10 Dolby Vision and Dolby Atmos for a true cinematic experience Use Private Listening Mode for quiet streaming through headphones Personalize your interface with themes wallpapers and screensavers Optimize your video and sound settings for any TV model or setup Access 400 free live channels and maximize Roku s free entertainment library Connect Roku to Apple AirPlay Google Home or Alexa for smart home integration Play local media from USB drives or networked computers with Roku Media Player Solve common issues like Wi Fi drops unresponsive remotes or playback errors Discover hidden features shortcuts and advanced options for power users Improve performance speed and reliability through smart maintenance Learn how to cut the cable cord and replace expensive subscriptions Keep your system updated for the latest Roku OS improvements and security patches Use the mobile app for private listening voice typing and remote control functions Your Complete Streaming Companion This guide doesn t just show you how to use Roku Ultra it helps you understand why each setting matters Every page is crafted to help you stream smarter save time and enjoy your content exactly the way you want Whether you re upgrading from an older Roku model or setting up your first streaming box you ll find everything you need right here explained simply clearly and step by step Take Control of Your Roku Ultra Today Stop guessing and start streaming like a pro With this guide in your hands you ll unlock the full power of Roku Ultra from setup to smart home integration and enjoy seamless entertainment every single day Scroll up and click ORDER NOW to transform your Roku Ultra experience today

DISCLAIMER THIS BOOK IS AN INDEPENDENT PUBLICATION AND IS NOT AFFILIATED WITH ENDORSED AUTHORIZED OR SPONSORED BY ROKU INC ALL TRADEMARKS AND PRODUCT NAMES ARE THE PROPERTY OF THEIR RESPECTIVE OWNERS

Mastering Sony Bravia 9 Mini-LED TV User Manual ELIZA. ROBERT,2025-07-24 Mastering Sony Bravia 9 Mini LED TV User Guide is the ultimate easy to follow manual for anyone looking to unlock the full power of their Sony Bravia 9 television Whether you re setting it up for the first time or want to explore its advanced features this guide makes everything simple clear and enjoyable Packed with 25 detailed chapters this user friendly guide walks you through everything from pairing your remote control and exploring picture modes to voice control gaming setup streaming services and expert level tweaks No technical background needed Why You Need This Book Step by step setup and navigation made simple for all users Perfect for families seniors and first time smart TV users Learn how to optimize sound picture and energy settings like a pro Understand voice control screen mirroring and parental controls effortlessly Get smart troubleshooting tips hidden tricks and best practices for everyday use Whether you re watching Netflix playing on your PlayStation or just browsing the Google TV interface this guide ensures you enjoy a smoother smarter and more personalized experience Don t just use your Sony Bravia 9 master it Get this guide today and take full control of your TV experience

[Mastering Sony Bravia 8 II QD-OLED TV User Guide](#) Zara Marlowe,2025-05-04

Master Your Sony Bravia 8 II QD OLED TV with Confidence Unlock the full capabilities of your Sony Bravia 8 II QD OLED TV with this comprehensive step by step guide Whether you are setting up your TV for the first time or exploring advanced smart features this unofficial manual provides clear easy to follow instructions for every feature and setting Learn how to optimize your display for movies sports and gaming navigate the Google TV interface install and manage streaming apps enhance audio performance and integrate your TV with smart home devices You ll also find practical tips for troubleshooting common issues and maintaining your TV for peak performance Inside This Guide You Will Learn How to Set up your Sony Bravia 8 II and connect external devices Adjust brightness color modes motion settings and picture quality Navigate Google TV apps use voice control and personalize your content Enhance sound using HDMI eARC soundbars and surround systems Protect against screen burn in and optimize energy saving settings Manage firmware updates software maintenance and system security Troubleshoot issues such as input lag app freezes or Wi Fi disconnections Perfect for both beginners and experienced users this guide helps you maximize the performance entertainment and smart features of your Sony Bravia 8 II QD OLED TV This independent guide is not affiliated with Sony Corporation All trademarks and product names belong to their respective owners

The Screen Media Reader Stephen Monteiro,2017-01-12 Offers key historical and interpretative texts on the development and role of the screen in communications and the social sphere

The Complete Guide to Sony's RX-100 IV and RX-10 II (B&W Edition) Gary L. Friedman,2015-09-25 Love your new 20 megapixel wonder but having a hard time understanding and configuring all those features Written for the advanced user with tutorials and easy explanations in case you are not so advanced this easy to understand yet thorough guide provides a complete instruction manual which explains each feature in plain English and provides hundreds of visual examples as well In this 613 page book you ll learn What every mode button and function does in plain easy to understand language My personal camera configuration Unique features of the RX 10 II including the unusually high Flash Sync Speed How to decypher the alphabet soup that are the video standards NFC Wi Fi and step by step instructions on using them Which of the new downloadable apps are actually useful A tutorial to get the benefits of shooting RAW and a condensed guide to the basics A set of Cliffs Notes TIP cards Downloadable versions also available at the author s website

The Complete Guide to Sony's Alpha 7r II (B&W Edition) Gary L. Friedman,2015-10-18 Gary s Ebooks on the Sony cameras are renown for being the most thorough detailed and enjoyable to read This latest edition goes into even more detail of the features everyone wants to know about All the focusing modes explained in an intuitive way 4K shooting and choosing a bit rate for video The new phase detect AF and where it s blind The most popular adapters for legacy glass S Log2 in a way that won t make your eyes glaze over And lots more 641 pages more to be exact Electronic formats also available from the author s website

The Complete Guide to Sony's RX-100 MK3 (B&W Edition) Gary L. Friedman,2014-10-06 Love your new 20 megapixel wonder but having a hard time understanding and configuring all those features Then this book is for you Written for the

advanced user with tutorials and easy explanations in case you're not so advanced this easy to understand yet thorough guide provides a complete instruction manual which explains each feature in plain English and provides hundreds of visual examples as well. There is no better way to learn about and get the most out of your camera. Get the most out of your investment. Learn about the wonders of digital imaging and improve your photography at the same time. More info at [FriedmanArchives.com RX100 MK3](#) [The Friedman Archives Guide to Sony's RX-100 V \(B&W Edition\)](#) Gary Friedman, 2017-01-10. The Sony RX 100 V is the world's best point and shoot camera and Gary Friedman's book provides the most detail and insights. In this 561-page full-color e-book you will learn what every mode button and function does in plain, easy-to-understand language. Gary's personal camera configuration. Unique features of the camera including the ability to shoot the equivalent of 5.5K video for short bursts. How to decipher the alphabet soup that are the video standards, what each variable means, and how to choose the best mode for YOU. NFC, Wi-Fi, and step-by-step instructions on using them. Which of the new downloadable apps are actually useful. The most common digital jargon and what it all means to you. A tutorial to get the benefits of shooting RAW and a condensed guide to the basics. A set of Cliffs Notes cards you can print showing the recipes for common shooting situations and Gary's Personal Camera Settings. [The Simple Guide to Home Electronics, 2017](#) Mark Schutte, 2017-05-26. The Simple Guide to Home Electronics helps the average person navigate the bewildering array of choices in the ever-changing world of home electronics that impact our day-to-day lives. A wide variety of topics from lightbulbs to the Internet, TV, Telephone, Cameras, and the Internet of Things (IoT) are explained without all the tech-savvy jargon. Each chapter begins with a general overview and practical advice followed by more in-depth information that will give you an understanding of the type of products available and how they work. If you have ever considered disconnecting your cable TV, a smart thermostat, or turning on the lights with a voice-activated product, then this book is for you. The author's light conversational style along with his own engaging stories, humor, and points of view make these complex topics easy to understand. The information is presented in free-standing, independent chapters that can be referenced over and over again as you replace and update the technology in your home. [The Complete Guide to Sony's A7 and A7r \(B&W Edition\)](#) Gary L. Friedman, 2014-04-07. This is the most thorough and comprehensive book on the Sony Alpha 7 and Alpha 7r available. At over 600 pages, professional photographer Gary L. Friedman has explained every function and nuance of every feature plus gives solid recommendations on customizing your camera and explains unobvious combinations of obscure features that can help you work quite quickly in the field. Yes, it's a little more expensive, but downloadable versions are available for much less on the author's website, but since you already own one of the best cameras out there, why hold back on the key to unlocking its features? My personal camera settings with explanations. A complete guide to the most popular Legacy Glass Adapters and how to configure your camera to use them. A clear explanation of the alphabet soup that are video formats. Guide to using NFC, Wi-Fi. A set of Cliffs Notes cards. **The Friedman Archives Guide to Sony's RX100 VII (B&W Edition)** Gary

Friedman,2019-09-26 Gary Friedman s guides are world renown for their thoroughness and easy to understandableness that s a word De mystify the menus and use your camera more confidently with this 656 page guide **The Complete Guide to Sony's RX-100 MK2 (B&W Edition)** Gary Friedman,2013-09-08 Love your new 20 megapixel wonder but having a hard time configuring it or understanding all of its functions Then this book is for you Written for the advanced user with tutorials and easy explanations in case you re not so advanced this easy to understand yet thorough guide provides a complete instruction manual which explains each feature in plain English and provides hundreds of visual examples as well There is no better way to learn about and get the most out of your camera More info at http://friedmanarchives.com/RX100_MK2 *The Friedman Archives Guide to Sony's A6300 (B&W Edition)* Gary L. Friedman,2016-05-06 The Sony Alpha 6300 camera builds upon the company s best selling Alpha 6000 and adds a significant amount of new features Stock photographer Gary Friedman explains the myriad of features in an approachable and easy to understand way explaining not only the what but also the why and in what situations you d want to use which feature In this 625 page full color e book you will learn What every mode button and function does in plain easy to understand language My personal camera configuration Unique features of the A6300 including why you ll never know just how distorted your kit lens is Shooting in 4K and how to choose the best mode for YOU NFC Wi Fi and step by step instructions on using them Which of the new downloadable apps are actually useful A tutorial to get the benefits of shooting RAW and a condensed guide to the basics A set of Cliffs Notes cards Instantly downloadable pdf file also available from the author s website **The Friedman Archives Guide to Sony's Alpha 6500 (B&W Edition)** Gary L. Friedman,2017-03-09 The Sony Alpha 6500 camera builds upon the company s best selling Alpha 6000 and adds a significant amount of new features Professional photographer Gary Friedman explains the myriad of features in an approachable and easy to understand way explaining not only the what but also the why and in what situations you d want to use which feature In this 657 page book you will learn What every mode button and function does in plain easy to understand language Gary s personal camera configuration Unique features of the A6500 including why you ll never know just how distorted your kit lens is Shooting in 4K and how to choose the best mode for YOU NFC Wi Fi and step by step instructions on using them Which of the new downloadable apps are actually useful A tutorial to get the benefits of shooting RAW and a condensed guide to the basics A set of Cliffs Notes cards Instantly downloadable pdf file also available from the author s website **The Friedman Archives Guide to Sony's Alpha 6400 (B&W Edition)** Gary L. Friedman,2019-04-22 New Updated to cover new features in Firmware v2 Gary Friedman s ebooks for Sony cameras are known for their thoroughness and their readability helping you cut through the complexities of your new digital camera and help you focus pun intended on how to get shots that make people say Wow This latest book on Sony A6400 covers every function and every detail and explains practical uses for every setting Get the most out of your camera

Yeah, reviewing a book **Sony Bravia User Guide** could amass your close connections listings. This is just one of the solutions for you to be successful. As understood, attainment does not suggest that you have astonishing points.

Comprehending as without difficulty as treaty even more than new will offer each success. adjacent to, the pronouncement as without difficulty as perception of this Sony Bravia User Guide can be taken as skillfully as picked to act.

https://movement.livewellcolorado.org/results/book-search/index.jsp/tdk_lambda_cross_reference_guide.pdf

Table of Contents Sony Bravia User Guide

1. Understanding the eBook Sony Bravia User Guide
 - The Rise of Digital Reading Sony Bravia User Guide
 - Advantages of eBooks Over Traditional Books
2. Identifying Sony Bravia User Guide
 - Exploring Different Genres
 - Considering Fiction vs. Non-Fiction
 - Determining Your Reading Goals
3. Choosing the Right eBook Platform
 - Popular eBook Platforms
 - Features to Look for in an Sony Bravia User Guide
 - User-Friendly Interface
4. Exploring eBook Recommendations from Sony Bravia User Guide
 - Personalized Recommendations
 - Sony Bravia User Guide User Reviews and Ratings
 - Sony Bravia User Guide and Bestseller Lists
5. Accessing Sony Bravia User Guide Free and Paid eBooks
 - Sony Bravia User Guide Public Domain eBooks
 - Sony Bravia User Guide eBook Subscription Services

- Sony Bravia User Guide Budget-Friendly Options
- 6. Navigating Sony Bravia User Guide eBook Formats
 - ePub, PDF, MOBI, and More
 - Sony Bravia User Guide Compatibility with Devices
 - Sony Bravia User Guide Enhanced eBook Features
- 7. Enhancing Your Reading Experience
 - Adjustable Fonts and Text Sizes of Sony Bravia User Guide
 - Highlighting and Note-Taking Sony Bravia User Guide
 - Interactive Elements Sony Bravia User Guide
- 8. Staying Engaged with Sony Bravia User Guide
 - Joining Online Reading Communities
 - Participating in Virtual Book Clubs
 - Following Authors and Publishers Sony Bravia User Guide
- 9. Balancing eBooks and Physical Books Sony Bravia User Guide
 - Benefits of a Digital Library
 - Creating a Diverse Reading Collection Sony Bravia User Guide
- 10. Overcoming Reading Challenges
 - Dealing with Digital Eye Strain
 - Minimizing Distractions
 - Managing Screen Time
- 11. Cultivating a Reading Routine Sony Bravia User Guide
 - Setting Reading Goals Sony Bravia User Guide
 - Carving Out Dedicated Reading Time
- 12. Sourcing Reliable Information of Sony Bravia User Guide
 - Fact-Checking eBook Content of Sony Bravia User Guide
 - Distinguishing Credible Sources
- 13. Promoting Lifelong Learning
 - Utilizing eBooks for Skill Development
 - Exploring Educational eBooks
- 14. Embracing eBook Trends

- Integration of Multimedia Elements
- Interactive and Gamified eBooks

Sony Bravia User Guide Introduction

Free PDF Books and Manuals for Download: Unlocking Knowledge at Your Fingertips In today's fast-paced digital age, obtaining valuable knowledge has become easier than ever. Thanks to the internet, a vast array of books and manuals are now available for free download in PDF format. Whether you are a student, professional, or simply an avid reader, this treasure trove of downloadable resources offers a wealth of information, conveniently accessible anytime, anywhere. The advent of online libraries and platforms dedicated to sharing knowledge has revolutionized the way we consume information. No longer confined to physical libraries or bookstores, readers can now access an extensive collection of digital books and manuals with just a few clicks. These resources, available in PDF, Microsoft Word, and PowerPoint formats, cater to a wide range of interests, including literature, technology, science, history, and much more. One notable platform where you can explore and download free Sony Bravia User Guide PDF books and manuals is the internet's largest free library. Hosted online, this catalog compiles a vast assortment of documents, making it a veritable goldmine of knowledge. With its easy-to-use website interface and customizable PDF generator, this platform offers a user-friendly experience, allowing individuals to effortlessly navigate and access the information they seek. The availability of free PDF books and manuals on this platform demonstrates its commitment to democratizing education and empowering individuals with the tools needed to succeed in their chosen fields. It allows anyone, regardless of their background or financial limitations, to expand their horizons and gain insights from experts in various disciplines. One of the most significant advantages of downloading PDF books and manuals lies in their portability. Unlike physical copies, digital books can be stored and carried on a single device, such as a tablet or smartphone, saving valuable space and weight. This convenience makes it possible for readers to have their entire library at their fingertips, whether they are commuting, traveling, or simply enjoying a lazy afternoon at home. Additionally, digital files are easily searchable, enabling readers to locate specific information within seconds. With a few keystrokes, users can search for keywords, topics, or phrases, making research and finding relevant information a breeze. This efficiency saves time and effort, streamlining the learning process and allowing individuals to focus on extracting the information they need. Furthermore, the availability of free PDF books and manuals fosters a culture of continuous learning. By removing financial barriers, more people can access educational resources and pursue lifelong learning, contributing to personal growth and professional development. This democratization of knowledge promotes intellectual curiosity and empowers individuals to become lifelong learners, promoting progress and innovation in various fields. It is worth noting that while accessing free Sony Bravia User Guide PDF books and manuals is convenient and cost-effective, it is vital to respect

copyright laws and intellectual property rights. Platforms offering free downloads often operate within legal boundaries, ensuring that the materials they provide are either in the public domain or authorized for distribution. By adhering to copyright laws, users can enjoy the benefits of free access to knowledge while supporting the authors and publishers who make these resources available. In conclusion, the availability of Sony Bravia User Guide free PDF books and manuals for download has revolutionized the way we access and consume knowledge. With just a few clicks, individuals can explore a vast collection of resources across different disciplines, all free of charge. This accessibility empowers individuals to become lifelong learners, contributing to personal growth, professional development, and the advancement of society as a whole. So why not unlock a world of knowledge today? Start exploring the vast sea of free PDF books and manuals waiting to be discovered right at your fingertips.

FAQs About Sony Bravia User Guide Books

What is a Sony Bravia User Guide PDF? A PDF (Portable Document Format) is a file format developed by Adobe that preserves the layout and formatting of a document, regardless of the software, hardware, or operating system used to view or print it. **How do I create a Sony Bravia User Guide PDF?** There are several ways to create a PDF: Use software like Adobe Acrobat, Microsoft Word, or Google Docs, which often have built-in PDF creation tools. Print to PDF: Many applications and operating systems have a "Print to PDF" option that allows you to save a document as a PDF file instead of printing it on paper. Online converters: There are various online tools that can convert different file types to PDF. **How do I edit a Sony Bravia User Guide PDF?** Editing a PDF can be done with software like Adobe Acrobat, which allows direct editing of text, images, and other elements within the PDF. Some free tools, like PDFescape or Smallpdf, also offer basic editing capabilities. **How do I convert a Sony Bravia User Guide PDF to another file format?** There are multiple ways to convert a PDF to another format: Use online converters like Smallpdf, Zamzar, or Adobe Acrobats export feature to convert PDFs to formats like Word, Excel, JPEG, etc. Software like Adobe Acrobat, Microsoft Word, or other PDF editors may have options to export or save PDFs in different formats. **How do I password-protect a Sony Bravia User Guide PDF?** Most PDF editing software allows you to add password protection. In Adobe Acrobat, for instance, you can go to "File" -> "Properties" -> "Security" to set a password to restrict access or editing capabilities. Are there any free alternatives to Adobe Acrobat for working with PDFs? Yes, there are many free alternatives for working with PDFs, such as: LibreOffice: Offers PDF editing features. PDFsam: Allows splitting, merging, and editing PDFs. Foxit Reader: Provides basic PDF viewing and editing capabilities. How do I compress a PDF file? You can use online tools like Smallpdf, ILovePDF, or desktop software like Adobe Acrobat to compress PDF files without significant quality loss. Compression reduces the file size, making it easier to

share and download. Can I fill out forms in a PDF file? Yes, most PDF viewers/editors like Adobe Acrobat, Preview (on Mac), or various online tools allow you to fill out forms in PDF files by selecting text fields and entering information. Are there any restrictions when working with PDFs? Some PDFs might have restrictions set by their creator, such as password protection, editing restrictions, or print restrictions. Breaking these restrictions might require specific software or tools, which may or may not be legal depending on the circumstances and local laws.

Find Sony Bravia User Guide :

tdk lambda cross reference guide

tea for two an eeryan world tale

[tdc quick start guide](#)

tbi wiring harness kit

teacher manual pglo transformation answers

teaching common core math to 8th grade

teas test nursing study guide

teach yourself visually os x yosemite teach yourself visually tech

technical analysis and stock market profits by richard schabacker

teacher edition holt mcdougal avencemos cuaderno

teaching textbooks geometry answer key

[technical analysis certification in mumbai](#)

teachers curriculum institute notebook guide civics

technical analysis apps iphone

teachers curriculum institute student handout

Sony Bravia User Guide :

arcigna archeologia ediz illustrata wrbb neu edu - Dec 27 2021

web arcigna archeologia ediz illustrata 1 arcigna archeologia ediz illustrata as recognized adventure as skillfully as experience very nearly lesson amusement as

arcigna archeologia ediz illustrata pdf icapro - Mar 10 2023

web right here we have countless books arcigna archeologia ediz illustrata pdf and collections to check out we additionally

manage to pay for variant types and as a

arcigna archeologia ediz illustrata pdf - Jan 08 2023

web arcigna archeologia ediz illustrata pdf is open in our digital library an online permission to it is set as public appropriately you can download it instantly our digital library saves

arcigna archeologia ediz illustrata by nick arnold c goddard s - Jun 01 2022

web this arcigna archeologia ediz illustrata by nick arnold c goddard s artoni after receiving discount if you want to funny stories lots of novels story gags

arcigna archeologia ediz illustrata by nick arnold c goddard s - Nov 25 2021

web pdf online e full text of ausonia rivista della societÃ italiana di authorwp 7670573 canapafestival it arcigna archeologia ediz illustrata nick arnold enzymus info it

adkam gephyra doĖu akdeniz blgesi eskićaĖ - Apr 11 2023

web gephyra akdeniz Üniversitesi akdeniz dillerini ve kültürlerini araştırma merkezi tarafından hazırlanan hem açık erişimli çevrimiçi hem de basılı bir dergidir dergi temel

scarica pdf arcigna archeologia ediz illustrata nick gratis - Jul 14 2023

web sep 8 2023 arcigna archeologia è un libro mortalmente interessante grazie al quale potrete dissotterrare sepolti segreti e conoscere splendidi siti archeologici seguite

arkeoloji müzesi gezi yazısı Şehrin hikâyesi - Feb 26 2022

web arkeoloji müzelerinin en son kısmında lahitlerle ilgili bölümlere ulaşacaksınız birçoklarına göre İstanbul arkeoloji müzesi nin en önemli eserini de yine bir lahit oluşturuyor İskender

arcigna archeologia ediz illustrata by nick arnold c goddard s - May 12 2023

web arcigna archeologia è un libro mortalmente interessante grazie al quale potrete dissotterrare sepolti segreti e conoscere splendidi siti archeologici seguite audaci

arcigna archeologia ediz illustrata paperback amazon com au - Jun 13 2023

web arcigna archeologia ediz illustrata arnold nick goddard c artoni s amazon com au books

arcigna archeologia ediz illustrata by nick arnold c goddard s - Jul 02 2022

web arcigna archeologia ediz illustrata lommer creativo scavo fossile dinosauri giocattolo archeologia scavo paleontologia dinosauri discovery educativo giocattolo per bambini l

arcigna archeologia ediz illustrata by nick arnold c goddard s - Aug 03 2022

web arcigna archeologia ediz illustrata italiano copertina flessibile 10 maggio 2002 di nick arnold autore c goddard illustratore s artoni traduttore amp 4 6 su 5 stelle 3 voti

arcigna archeologia ediz illustrata copertina flessibile amazon it - Aug 15 2023

web compra arcigna archeologia ediz illustrata spedizione gratuita su ordini idonei

archeozoologia lo studio dei resti animali in archeologia ediz - Oct 25 2021

web archeozoologia lo studio dei resti animali in archeologia ediz illustrata jacopo de grossi mazzorin amazon com tr kitap

arcigna archeologia ediz illustrata by nick arnold c goddard s - Sep 04 2022

web april 13th 2020 arcigna archeologia ediz illustrata all inizio c erano crudeli cacciatori di tesori che saccheggiavano

antiche rovine poi vennero degli intrepidi eroi che scoprirono i

arcigna archeologia ediz illustrata uniport edu ng - Feb 09 2023

web arcigna archeologia ediz illustrata 2 7 downloaded from uniport edu ng on august 24 2023 by guest troll called ulf get

sent to rescue a princess from an ogre they expect it to

[anadolu medeniyetleri müzesi ni görmelisin augustus görmelisin](#) - Apr 30 2022

web augustus tapınağı yazıtlar kraliçesi augustus tapınağı turkishmuseums adres hacı bayram 06030 altındağ ankara

officialturkishmuseums turkishmuseums

arcigna archeologia ediz illustrata wrbb neu edu - Dec 07 2022

web 2 arcigna archeologia ediz illustrata 2023 07 21 problem in the light of the recent dramatic developments in the middle

east and the immanent threat of international

[arcigna archeologia ediz illustrata by nick arnold c goddard s](#) - Oct 05 2022

web arcigna archeologia ediz illustrata by nick arnold c goddard s artoni is accessible in our pdf assemblage an online access

to it is set as public so you can get it promptly you

arcigna archeologia ediz illustrata - Nov 06 2022

web arcigna archeologia ediz illustrata is easy to get to in our digital library an online access to it is set as public suitably you

can download it instantly our digital library saves in

[l archeologo ediz illustrata pdf](#) - Mar 30 2022

web l archeologia magica di maiuri giuseppe maggi 2008 füssli ediz illustrata orietta rossi pinelli 1997 muro tenente parco

archeologico lungo l appia antica in puglia

arcigna archeologia ediz illustrata - Jan 28 2022

web arcigna archeologia ediz illustrata this is likewise one of the factors by obtaining the soft documents of this arcigna

archeologia ediz illustrata by online you might not require

formal memorandum template 8 word excel - Jan 04 2022

web day nulm

example memorandum for fiopl findings and reccomendations - Feb 05 2022

web sep 18 2023 10 min atlanta as a justice department lawyer after the 2020 election jeffrey clark drafted a letter to top georgia officials declaring that the agency had reason

property accountability property accountability policies - Oct 13 2022

web fiopl a financial liability investigation of property loss fiopl is the manner in which the army accounts for the circumstances surrounding the loss damage or destruction

day nulm - Oct 01 2021

financial liability investigations of property loss fiopl - Aug 31 2021

soldier s guide to financial liability investigation - Jul 22 2023

web sample fiopl rebuttal lost equipment unit letterhead your unit s office symbol date memorandum for commander name of unit arkansas national guard

fiopl memorandum example ministry of education youth and - Mar 06 2022

web jul 29 2018 does anyone have one example of a re established memo to abandon a fiopl i m one pfc in a e 6 position help i m a pfc in a e 6 position help advanced

financial liability investigation of property loss fiopl rebuttals - May 08 2022

web fiopl memorandum example 4 9 map index pdf documents are in the public domain we print these large documents as a service so you don t have to the books are compact

memorandum templates financial liability investigation of - Apr 07 2022

web example memorandum for fiopl findings and reccomendations list of ebooks and manuels about example memorandum for fiopl findings and reccomendations 735 5guide pdf

financial liability officer guide u s army garrisons - Jun 21 2023

web property loss example exhibit a iopl 05 96 23 august 2005 375 00 co j 203rd fsb for further guidance on preparing either da form 2823 or a certificate see ar 735 5

soldiers response rights in the financial liability investigations - Dec 15 2022

web contents continued section i basic principles page 2 general requirements 2 1 page 2 accounting for army property 2 2 page 2 centralized accounting 2 3 page 3 other

does anyone have an example of a re established memo to - Dec 03 2021

web voluntary a fiopl is used in situations where responsibility for the loss is in question or where the amount to be charged is

in dispute procedures submitting a rebuttal the

processing financial liability investigations of property loss in a - Jun 09 2022

web army memo template the foregoing template will speed up memo writing time the fill in sections can be click through

and there represent styles set throughout which ensure

financial liability investigations of property - Mar 18 2023

web o adds sample of financial liability officer s notification of intention to recommend a charge of financial liability fig 12 1 o

adds sample memorandum to request reconsideration for

what the flo needs to know article the united - Apr 19 2023

web mar 27 2013 strong of strong strong property strong strong loss strong strong flipl strong br q could i be liable for

flipl 7th army training command - Aug 23 2023

web 1 what is a flipl the army investigates the causes of lost damaged or destroyed property to account for the losses on

property books the results of these investigations

writing findings and recommendations u s army garrisons - Sep 12 2022

web sample fli rebuttal 1 unit letterhead your unit s office symbol 735 5 date memorandum for name of financial liability

officer flo s unit name and

unclassified army publishing directorate - Jan 16 2023

web appointed use a memorandum as described in figure 13 12 when an ar 15 6 financial liability officer is appointed use an

appointment memorandum in accordance with ar

former doj attorney acted under trump s direction his lawyer says - Nov 02 2021

financial liability investigation of property loss - Aug 11 2022

web mar 4 2014 the easiest way to streamline the flipl process is to conduct short flipls in situations where the facts are

readily apparent and unnecessary investigative steps

checklist and tracking document for financial - Nov 14 2022

web refer to the list and examples of system inadequacy ies provided in appendix b table b 5 note the finding may contain

multiple system inadequacies training individual

financial liability investigations of property loss flipl - May 20 2023

web property loss flipl soldiers and civilian employees may be liable for lost damaged or destroyed property soldiers and

department of the army civilian

financial liability investigations i introduction ii - Jul 10 2022

web apr 12 2018 rebutting a flipl although the language of army regulation 735 5 sounds confusing rebutting a flipl can be simple the soldier must establish that an

[financial liability investigation of property loss](#) - Feb 17 2023

web the army financial liability investigation of property loss flipl system is described in ar 735 5 chapter 13 the system provides a method for relief from property

plantes ma c dicinales et plantes toxiques des al 2022 - Nov 21 2022

web 4 plantes ma c dicinales et plantes toxiques des al 2023 03 24 as a pot herb and as an additive for condiments such as ketchup and mustard designed as a work of reference it offers an easy to use systematic listing of international nomenclature the book is aimed primarily at aroma experts in both science and industry but

plantes médicinales et plantes toxiques des alpes by kurt - Feb 10 2022

web guide des plantes toxiques la terre est un jardin toxiques les plantes tinctoriales les plantes toxiques centre antipoisons belge victoria hammiche rachida merad mohamed azzouz plantes plantes toxiques plantes mdicinales et phytothrapie 6 plantes toxiques du quotidien plante zen les 12 plantes sauvages toxiques connatre cueilleurs

plantes ma c dicinales et plantes toxiques des al pdf old vulkk - Mar 26 2023

web plantes ma c dicinales et plantes toxiques des al catalogue général de la librairie française 1886 1890 table des matières dictionnaire étymologique de la langue française où les mots sont classés par familles revue de thérapeutique médico chirurgicale african traditional medicine journal d un voyage à temboctou et à jenné dans

most common toxic plants of turkey to animals classification - May 16 2022

web jun 2 2014 hong ih kwon te lee sk park jk ki mr park si et al fetal death of dogs after the ingestion of a soil conditioner exp toxicol pathol 2011 63 113 117 signe jp emergency procedures for the small animal veterinarian elsevier saunders 2013 793 800 klaassen cd casarett and doull s toxicology the basic science of poisons 7th edn

les plantes tuent au maroc pharmapresse - Oct 21 2022

web oct 6 2020 circonstances de l intoxication la plupart des intoxications sont accidentelles rarement criminelles elles sont souvent collectives touchant plusieurs enfants d une même famille vivant à la campagne

[ağrı kesici etkisi olan şifalı bitkiler sağlık haberleri milliyet](#) - Aug 19 2022

web feb 7 2017 gama aminobütrik asit denilen beyindeki bir kimyasalı arttırarak kişiyi rahatlatır m Ö 2 yüzyıldan bu yana kullanılan kedi otu şerbetçi otu ile birleştirerek yatıştırıcı bir

plantes médicinales et plantes toxiques des alpes by kurt - Mar 14 2022

web top 10 des plantes les plus toxiques du monde 10 plantes toxiques pour votre intrieur plantes estibles ou toxiques les conseils pour viter les plantes toxiques sauvages ou cultives via les herbes liste des plantes d intrieur toxiques et ment en

protger 6 plantes toxiques du quotidien plante zen les plantes toxiques les herbonautes les
downloadable free pdfs plantes ma c dicinales et plantes toxiques des al - Feb 22 2023
 web plantes ma c dicinales et plantes toxiques des al efflorescences toxiques des eaux côtières françaises oct 07 2021 kidney
 disease and nephrology index jun 15 2022 transactions of the first pan american medical congress oct 19 2022 le risque
 radioactif devenir des radionucléides dans l environnement et impacts sur la santé apr 13 2022
plantes médicinales et plantes toxiques des alpes by kurt - Oct 01 2023
 web quelles sont les plantes toxiques pour animaux trucs et 6 plantes toxiques du quotidien plante zen toxiques les plantes
 tinctoriales liste des plantes d intrieur toxiques et ment en protger les 12 plantes sauvages toxiques connatre cueilleurs 150
 plantes dintrieur qui ne sont pas toxiques plantes sauvages estibles et toxiques pdf
quelles sont les plantes toxiques pour les animaux animaniacs - Jun 16 2022
 web apr 6 2018 le printemps est là et bourgeonne un peu partout nos fleurs et plantes mais certaines sont toxiques pour nos
 animaux je vous ai fait une petite liste des plantes dangereuses pour éviter les risques d intoxication accueil actus conseils
 guides chats guides chiens guides nac guides poissons santé animale vie pratique se détendre
plantes médicinales et plantes toxiques des alpes by kurt - Aug 31 2023
 web toxiques les plantes tinctoriales 6 plantes toxiques du quotidien plante zen 150 plantes dintrieur qui ne sont pas toxiques
 plantes toxiques plantes mdicinales et phytothrapie
plantes ma c dicinales et plantes toxiques des al - Jul 18 2022
 web journal d un voyage à temboctou et à jenné dans l afrique centrale catalogue annuel de la librairie française plantes ma c
 dicinales et plantes toxiques des al downloaded from ftp adaircountymissouri com by guest bates mohammed dictionnaire
 universel de matière médicale et de thérapeutique générale springer science business media
plantes ma c dicinales et plantes toxiques des al pdf api - Sep 19 2022
 web merely said the plantes ma c dicinales et plantes toxiques des al is universally compatible bearing in mind any devices to
 read plantes ma c dicinales et plantes toxiques des al downloaded from api publico pinheiro ma gov br by guest justice baker
 the cyclopaedia or an universal dictionary of arts sciences and literature
plantes ma c dicinales et plantes toxiques des al pdf - Jun 28 2023
 web plantes ma c dicinales et plantes toxiques des al 1 plantes ma c dicinales et plantes toxiques des al dictionnaire
 étymologique de la langue françoise ou les mots sont classés par familles contenant les mots du dictionnaire de l academie
 francoise par b de roquefort précédé d une dissertation sur l etymologie par j j champollion
plantes médicinales alimentaire et aromatiques potentiellement toxiques - May 28 2023
 web apr 29 2021 plantes médicinales alimentaire et aromatiques potentiellement toxiques authors abderrazak el alami

abstract les plantes médicinales sont bénéfiques à la santé parce qu'elles

plantes ma c dicinales et plantes toxiques des al full pdf - Dec 23 2022

web plantes ma c dicinales et plantes toxiques des al 1 plantes ma c dicinales et plantes toxiques des al la nouvelle maison rustique ou Économie rurale pratique et générale de tous les biens de campagne

plantes ma c dicinales et plantes toxiques des al pdf 2023 - Apr 26 2023

web plantes ma c dicinales et plantes toxiques des al pdf upload donald x grant 2 3 downloaded from china int indonesia travel on september 10 2023 by donald x grant mohamed neffati 2017 09 07 this volume in the series is devoted to africa a continent that possesses a vast treasure of medicinal plants and has produced some exclusive

plantes ma c dicinales et plantes toxiques des al copy - Jul 30 2023

web plantes ma c dicinales et plantes toxiques des al connaissances des plantes toxiques nov 02 2021 il est important de connaître avec précision les plantes que l'on cueille ou ce que l'on possède dans sa maison et dans son jardin certaines plantes présentent un risque pour la santé par la présence de principes actifs

diş macunlarındaki tehlikeli kimyasallar sağlığımızı tehdit ediyor - Jan 24 2023

web diş macunlarındaki tehlikeli kimyasallar sağlığımızı tehdit ediyor diş macunları zehirli mi diş macunları renkleri aldatmaca mı diş macunları hangi tehlikeli kimyasalları barındırıyor yazımızda bu sorulara cevap vermeye çalışacağız diş macunları zehirli mi günlük hayatta en çok kullandığımız diş macunu acaba gizli bir tehlike mi birde renkli

plantes médicinales et plantes toxiques des alpes by kurt - Apr 14 2022

web pour votre intérieur toxiques les plantes tinctoriales attention ces 10 plantes les plus toxiques en france 150 plantes d'intérieur qui ne sont pas toxiques liste de plantes toxiques wikipedia registre des plantes toxiques et leurs usages florantet identification de plantes mdicinales et toxiques plantes aromatiques et mdicinales gratuite a