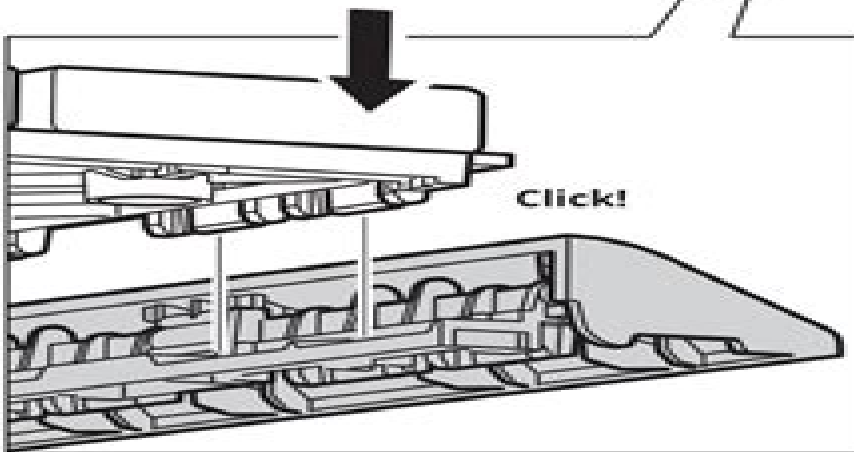
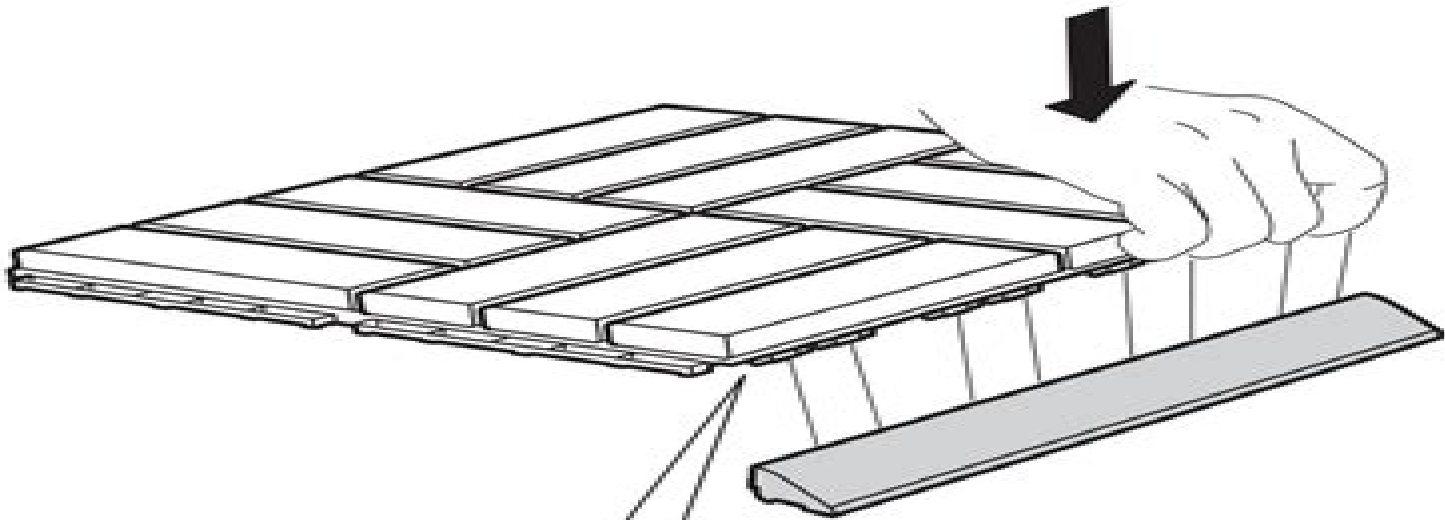
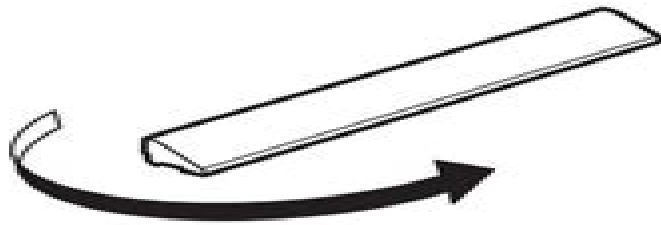


2



Sony Decking User Manual

Roger Shufflebottom



Sony Decking User Manual:

The Avid Handbook Greg Staten, Steve Bayes, 2012-08-21 Brimming with workflow efficiencies for the experienced editor The Avid Handbook teaches you the hows and whys of operating the system in order to reach streamlined creative end solutions The book emphasizes time saving techniques shortcuts and workflow procedures the true keys to getting a job done The book has also been updated to include new information on HD formats and workflows color correction and grading capability enhancements MXF media standardization and much more Also new to this edition are an 8 page 4 color insert adding depth to the color correction lessons as well as running sidebars throughout the book calling out time saving tips and techniques

Digital Video Editing with Final Cut Express Charles Roberts, 2013-01-11 Suitable for those new to nonlinear editing as well as experienced editors new to Final Cut Express this book is an introduction to Apple's editing software package and the digital video format in general You will come away with not only an in depth knowledge of how to use Final Cut Express but also a deeper understanding of the craft of editing and the underlying technical processes that will serve you well in future projects Workflow editing techniques compositing special effects audio tools and output are explained in clear jargon free terms The book's emphasis is always on using Final Cut Express in the real world and as such it is the only book to go beyond the interface to address crucial issues like proper setup system configuration hardware the Mac operating system what equipment to purchase and troubleshooting common problems Armed with this information you will sidestep problems and complete projects of exceptional quality

The Avid Handbook Steve Bayes, 2004 The Avid Handbook caters to video editors bordering on intermediate who are ready to unleash the full power of the Avid but don't know where to start Rather than focusing on arcane keystrokes the book teaches production procedures the real key for getting a job done Time saving shortcuts and strategies are emphasized and the author tackles such real world problems as set up keeping a facility running minimizing crashing and troubleshooting head on Bayes has helped thousands to avoid downtime and maximize creative time

The Filmmaker's Handbook Steven Ascher, Edward Pincus, 2007 A fully revised comprehensive guide offers an in depth exploration of today's recent technological advances such as digital age filmmaking while reviewing a collection of new methods and techniques in relation to various film formats and offering suggestions on the business aspects of financing and producing films Original

Popular Science, 1982-05 Popular Science gives our readers the information and tools to improve their technology and their world The core belief that Popular Science and our readers share The future is going to be better and science and technology are the driving forces that will help make it better

Popular Science, 1985-09 Popular Science gives our readers the information and tools to improve their technology and their world The core belief that Popular Science and our readers share The future is going to be better and science and technology are the driving forces that will help make it better

Inherent Vice Lucas Hilderbrand, 2009-05-28 This eye opening exploration of the aesthetic and legal innovations of home video revisits four decades of frequently overlooked histories of video recording

Popular Mechanics ,1982-07 Popular Mechanics inspires instructs and influences readers to help them master the modern world Whether it s practical DIY home improvement tips gadgets and digital technology information on the newest cars or the latest breakthroughs in science PM is the ultimate guide to our high tech lifestyle The Phish Companion ,2000 Provides song histories set lists show reviews and statistics and biographies of the band members *Adobe Premiere Pro CS6 Classroom in a Book* Maxim Jago,2012-07-06 Those creative professionals seeking the fastest easiest most comprehensive way to learn Adobe Premiere Pro CS6 choose Adobe Premiere Pro CS6 Classroom in a Book from the Adobe Creative Team at Adobe Press The 19 project based lessons in this book show readers step by step the key techniques for working in Premiere Pro CS6 Readers learn to take a project from beginning to end where they ll get the basics on things like organizing media using audio creating transitions producing titles and adding effects Once they have the basics down they ll learn how to take their projects further by sweetening and mixing sound compositing the footage adjusting color using multicamera editing techniques authoring DVDs and much more This completely revised CS6 edition covers new features including the Warp Stabilizer effect for stabilizing uneven shaky footage Powerful new trimming techniques are explored in detail and an entire chapter covers the new expanded multicamera editing features The new interface in Adobe Premiere Pro 6 offers many new capabilities to the editor who needs quick results and this book covers the workflows required to get the job done Best of all the companion DVD includes lesson files so readers can work step by step along with the book The Classroom in a Book series is by far the best training material on the market Everything you need to master the software is included clear explanations of each lesson step by step instructions and the project files for the students Barbara Binder Adobe Certified Instructor Rocky Mountain Training Classroom in a Book the best selling series of hands on software training workbooks helps you learn the features of Adobe software quickly and easily Classroom in a Book offers what no other book or training program does an official training series from Adobe Systems Incorporated developed with the support of Adobe product experts Note from the publisher If you experience any issues accessing the files on the DVD please contact ask peachpit com to receive a link to the online file downloads Popular Science ,1979-02 Popular Science gives our readers the information and tools to improve their technology and their world The core belief that Popular Science and our readers share The future is going to be better and science and technology are the driving forces that will help make it better

Audio Postproduction for Film and Video Jay Rose,2012-08-21 New to this edition Learn how many Hollywood techniques previously impractical on video can help solve problems on smaller productions Expanded cookbook recipes section Technically updated throughout Make your soundtracks as good as your pictures with this compendium of professional audio techniques that can be adapted to desktop post Specializing in sound after the shoot this book features many practical examples cookbook recipes and tutorials Audio theory when necessary is presented in plain English with plenty of visual analogies FAQs full explanations and from the trenches tips address the complete range of processes from wiring and

hardware to testing the final mix Novices will learn how to improve their soundtrack even after the actors have gone home Experienced producers will learn how to solve technical and creative problems quickly You ll get recipes and step by step instructions on how to build an efficient and reliable audio post setup plan and budget a good soundtrack get sound into your NLE without losing quality or sync edit voices and music record Foley and ADR find music and use it effectively find and create your own sound effects shape sounds with equalization reverb noise reduction and more produce the final mix test the final product for various media

Avid Made Easy Jaime Fowler,2007-03-31 Create impressive effects with free DV and XPress Pro Capture edit and output digital media Import and export images movies and audio Master the Tools and Techniques Used by Professional Editors Avid made non linear video editing possible This book makes it easy even if you have no experience at all In as little as a week its clear instruction and realistic practical tutorials will help you master every aspect of video editing with Avid Capturing from DV or other source footage Creating and organizing storage bins Customizing settings to suit your specific needs Navigating and selecting clips for editing Editing clips into sequences Trimming sequences for more precise and flexible editing Importing graphics audio and movies Exporting edited sequences to a variety of formats Creating transitional and segment effects Know where all the tools are and quickly find the easiest way to access any Avid function Easily manage all your video sources multiple audio tracks and transitions and trims Get just the right amount of information for the task at hand such as keyframing audio But Avid Made Easy is more than a comprehensive introduction to the capabilities of Avid Xpress and Free DV products Author Jaime Fowler brings every bit of his vast experience to bear helping you choose the right approach for every situation He even teaches advanced techniques that you won t find covered in any Avid manual The enclosed DVD contains your personal copy of Free DV all the files you need to complete the book s tutorials and a collection of the hottest Avid plug ins Note CD ROM DVD and other supplementary materials are not included as part of eBook file

Popular Mechanics ,1982-11 Popular Mechanics inspires instructs and influences readers to help them master the modern world Whether it s practical DIY home improvement tips gadgets and digital technology information on the newest cars or the latest breakthroughs in science PM is the ultimate guide to our high tech lifestyle

High Fidelity ,1985 Avid Uncut Steve Hullfish,2014-02-24 Leverage the full power of Avid Media Composer with this essential guide from an Avid guru Master timesaving tricks and techniques that utilize the latest Media Composer features and state of the art workflows Learn the secrets of the postproduction professionals from box office blockbusters like Harry Potter I am Legend Dark Shadows Men in Black II Charlie s Angels 42 and The Last of the Mohicans as well as primetime hits like SMASH Big Bang Theory Weeds The Mindy Project and MythBusters In Avid Uncut Steve Hullfish taps into the expertise of the world s top editors to share in depth behind the scenes secrets and best practices that will boost your editing and color correction skills to the next level Five distinct sections cover Pre post including discussion of metadata prepping ScriptSync decomposing and more Settings with tips on keyboard optimization bin settings

and import export settings Off line workflows on trimming multicam editing using Phrasefind audio and stereoscopic 3D Effects such as 3rd party plugins 3D warp effects and Animatte On line workflows for efficiently and beautifully finishing your work including step by step tutorials for RED and ARRI Alexa workflows Also featured are extensive tips dedicated to helping FCP editors switch over to Avid as well as a companion website www.routledge.com/cw/hullfish loaded with video tutorials of the techniques discussed in the book and project files including RED and ARRI Alexa footage that turn Avid Uncut into an invaluable hands on workshop

Video Editing with Avid: Media Composer, Symphony, Xpress Roger Shufflebottom, 2013-07-18 This is the first comprehensive guide to editing on Avid from a PAL standpoint also including NTSC information where appropriate making this book a worldwide manual If you are already using Media Composer Symphony or Xpress and want to improve and consolidate your basic methods or if you need to learn these systems from scratch then this book is for you This invaluable reference source explains from beginner to intermediate level the similarities and differences of these three packages and will ensure you get the most out of your Avid system Based on his experience as a film and video editor and trainer Roger Shufflebottom imparts all the information you need in a clear accurate and easy to follow format He provides a comprehensive guide to all the main editing tools of Media Composer Symphony and Xpress The text covers Media Composer versions 7 10 Xpress versions 2 4 and Symphony versions 1 3 Extra information is also included on Media Composer version 10 5 Symphony version 3 5 and Xpress version 4 5 Specific Apple Mac and Windows NT information is included Moving beyond basic editing 2D effects 3D effects and graphic import are explained in detail By working through the text you will be able to complete an Avid project competently and intuitively and you will learn some efficient and powerful working techniques Roger Shufflebottom has been an editor since 1974 began training in 1993 and has run courses for major broadcasters including the BBC Carlton BskyB Pearson Television and the American Forces Network as well as many facility companies He is an Avid Certified Instructor and has written many articles for Avid User magazine

Popular Science ,1988-04 Popular Science gives our readers the information and tools to improve their technology and their world The core belief that Popular Science and our readers share The future is going to be better and science and technology are the driving forces that will help make it better

Audio ,1991 Avid Editing Sam Kauffmann, 2012-09-10 Avid Editing is a comprehensive guide covering Avid Xpress Pro XPress Pro HD and Xpress DV Due to the similarity of Avid s interface across product lines it is also relevant for Media Composer and other systems Suitable for beginning editors or experienced editors new to the Avid the book provides step by step instructions for hundreds of editing tasks in jargon free terms The chapters guide you through an editing project while the accompanying DVD provides narrative footage to download for immediate hands on practice The book can be read and studied at home or while sitting in front of an Avid following the book s step by step instructions More than a software manual this book delves into general editing techniques principles and pitfalls The author is an experienced teacher who will help you master the Avid as well as improve

your overall editing skills This edition covers working with HD the 16 9 widescreen and the powerful Script Integration tool In addition there s new coverage of the issues facing indie filmmaker who is trying to decide how to go from the DV stage shooting on mini DV or DVCAM formats to theatrical distribution As well there is new material on using Avid in PAL regions

Embracing the Song of Appearance: An Psychological Symphony within **Sony Decking User Manual**

In a global eaten by screens and the ceaseless chatter of instantaneous transmission, the melodic beauty and emotional symphony created by the prepared term frequently diminish in to the backdrop, eclipsed by the persistent noise and disturbances that permeate our lives. However, set within the pages of **Sony Decking User Manual** an enchanting fictional value overflowing with natural emotions, lies an immersive symphony waiting to be embraced. Constructed by an elegant composer of language, this fascinating masterpiece conducts visitors on an emotional journey, well unraveling the hidden tunes and profound influence resonating within each carefully constructed phrase. Within the depths of the poignant evaluation, we will examine the book is central harmonies, analyze their enthralling publishing model, and submit ourselves to the profound resonance that echoes in the depths of readers souls.

https://movement.livewellcolorado.org/data/virtual-library/default.aspx/when_greeks_meets_greek_by_samuel_selvon.pdf

Table of Contents Sony Decking User Manual

1. Understanding the eBook Sony Decking User Manual
 - The Rise of Digital Reading Sony Decking User Manual
 - Advantages of eBooks Over Traditional Books
2. Identifying Sony Decking User Manual
 - Exploring Different Genres
 - Considering Fiction vs. Non-Fiction
 - Determining Your Reading Goals
3. Choosing the Right eBook Platform
 - Popular eBook Platforms
 - Features to Look for in an Sony Decking User Manual
 - User-Friendly Interface
4. Exploring eBook Recommendations from Sony Decking User Manual
 - Personalized Recommendations

- Sony Decking User Manual User Reviews and Ratings
- Sony Decking User Manual and Bestseller Lists
- 5. Accessing Sony Decking User Manual Free and Paid eBooks
 - Sony Decking User Manual Public Domain eBooks
 - Sony Decking User Manual eBook Subscription Services
 - Sony Decking User Manual Budget-Friendly Options
- 6. Navigating Sony Decking User Manual eBook Formats
 - ePub, PDF, MOBI, and More
 - Sony Decking User Manual Compatibility with Devices
 - Sony Decking User Manual Enhanced eBook Features
- 7. Enhancing Your Reading Experience
 - Adjustable Fonts and Text Sizes of Sony Decking User Manual
 - Highlighting and Note-Taking Sony Decking User Manual
 - Interactive Elements Sony Decking User Manual
- 8. Staying Engaged with Sony Decking User Manual
 - Joining Online Reading Communities
 - Participating in Virtual Book Clubs
 - Following Authors and Publishers Sony Decking User Manual
- 9. Balancing eBooks and Physical Books Sony Decking User Manual
 - Benefits of a Digital Library
 - Creating a Diverse Reading Collection Sony Decking User Manual
- 10. Overcoming Reading Challenges
 - Dealing with Digital Eye Strain
 - Minimizing Distractions
 - Managing Screen Time
- 11. Cultivating a Reading Routine Sony Decking User Manual
 - Setting Reading Goals Sony Decking User Manual
 - Carving Out Dedicated Reading Time
- 12. Sourcing Reliable Information of Sony Decking User Manual
 - Fact-Checking eBook Content of Sony Decking User Manual

- Distinguishing Credible Sources
- 13. Promoting Lifelong Learning
 - Utilizing eBooks for Skill Development
 - Exploring Educational eBooks
- 14. Embracing eBook Trends
 - Integration of Multimedia Elements
 - Interactive and Gamified eBooks

Sony Decking User Manual Introduction

Free PDF Books and Manuals for Download: Unlocking Knowledge at Your Fingertips In today's fast-paced digital age, obtaining valuable knowledge has become easier than ever. Thanks to the internet, a vast array of books and manuals are now available for free download in PDF format. Whether you are a student, professional, or simply an avid reader, this treasure trove of downloadable resources offers a wealth of information, conveniently accessible anytime, anywhere. The advent of online libraries and platforms dedicated to sharing knowledge has revolutionized the way we consume information. No longer confined to physical libraries or bookstores, readers can now access an extensive collection of digital books and manuals with just a few clicks. These resources, available in PDF, Microsoft Word, and PowerPoint formats, cater to a wide range of interests, including literature, technology, science, history, and much more. One notable platform where you can explore and download free Sony Decking User Manual PDF books and manuals is the internet's largest free library. Hosted online, this catalog compiles a vast assortment of documents, making it a veritable goldmine of knowledge. With its easy-to-use website interface and customizable PDF generator, this platform offers a user-friendly experience, allowing individuals to effortlessly navigate and access the information they seek. The availability of free PDF books and manuals on this platform demonstrates its commitment to democratizing education and empowering individuals with the tools needed to succeed in their chosen fields. It allows anyone, regardless of their background or financial limitations, to expand their horizons and gain insights from experts in various disciplines. One of the most significant advantages of downloading PDF books and manuals lies in their portability. Unlike physical copies, digital books can be stored and carried on a single device, such as a tablet or smartphone, saving valuable space and weight. This convenience makes it possible for readers to have their entire library at their fingertips, whether they are commuting, traveling, or simply enjoying a lazy afternoon at home. Additionally, digital files are easily searchable, enabling readers to locate specific information within seconds. With a few keystrokes, users can search for keywords, topics, or phrases, making research and finding relevant information a breeze. This efficiency saves time and effort, streamlining the learning process and allowing individuals to focus on extracting the information they

need. Furthermore, the availability of free PDF books and manuals fosters a culture of continuous learning. By removing financial barriers, more people can access educational resources and pursue lifelong learning, contributing to personal growth and professional development. This democratization of knowledge promotes intellectual curiosity and empowers individuals to become lifelong learners, promoting progress and innovation in various fields. It is worth noting that while accessing free Sony Decking User Manual PDF books and manuals is convenient and cost-effective, it is vital to respect copyright laws and intellectual property rights. Platforms offering free downloads often operate within legal boundaries, ensuring that the materials they provide are either in the public domain or authorized for distribution. By adhering to copyright laws, users can enjoy the benefits of free access to knowledge while supporting the authors and publishers who make these resources available. In conclusion, the availability of Sony Decking User Manual free PDF books and manuals for download has revolutionized the way we access and consume knowledge. With just a few clicks, individuals can explore a vast collection of resources across different disciplines, all free of charge. This accessibility empowers individuals to become lifelong learners, contributing to personal growth, professional development, and the advancement of society as a whole. So why not unlock a world of knowledge today? Start exploring the vast sea of free PDF books and manuals waiting to be discovered right at your fingertips.

FAQs About Sony Decking User Manual Books

How do I know which eBook platform is the best for me? Finding the best eBook platform depends on your reading preferences and device compatibility. Research different platforms, read user reviews, and explore their features before making a choice. Are free eBooks of good quality? Yes, many reputable platforms offer high-quality free eBooks, including classics and public domain works. However, make sure to verify the source to ensure the eBook credibility. Can I read eBooks without an eReader? Absolutely! Most eBook platforms offer webbased readers or mobile apps that allow you to read eBooks on your computer, tablet, or smartphone. How do I avoid digital eye strain while reading eBooks? To prevent digital eye strain, take regular breaks, adjust the font size and background color, and ensure proper lighting while reading eBooks. What the advantage of interactive eBooks? Interactive eBooks incorporate multimedia elements, quizzes, and activities, enhancing the reader engagement and providing a more immersive learning experience. Sony Decking User Manual is one of the best book in our library for free trial. We provide copy of Sony Decking User Manual in digital format, so the resources that you find are reliable. There are also many Ebooks of related with Sony Decking User Manual. Where to download Sony Decking User Manual online for free? Are you looking for Sony Decking User Manual PDF? This is definitely going to save you time and cash in something you should think about. If you trying to find then search around for online. Without a doubt

there are numerous these available and many of them have the freedom. However without doubt you receive whatever you purchase. An alternate way to get ideas is always to check another Sony Decking User Manual. This method for see exactly what may be included and adopt these ideas to your book. This site will almost certainly help you save time and effort, money and stress. If you are looking for free books then you really should consider finding to assist you try this. Several of Sony Decking User Manual are for sale to free while some are payable. If you arent sure if the books you would like to download works with for usage along with your computer, it is possible to download free trials. The free guides make it easy for someone to free access online library for download books to your device. You can get free download on free trial for lots of books categories. Our library is the biggest of these that have literally hundreds of thousands of different products categories represented. You will also see that there are specific sites catered to different product types or categories, brands or niches related with Sony Decking User Manual. So depending on what exactly you are searching, you will be able to choose e books to suit your own need. Need to access completely for Campbell Biology Seventh Edition book? Access Ebook without any digging. And by having access to our ebook online or by storing it on your computer, you have convenient answers with Sony Decking User Manual To get started finding Sony Decking User Manual, you are right to find our website which has a comprehensive collection of books online. Our library is the biggest of these that have literally hundreds of thousands of different products represented. You will also see that there are specific sites catered to different categories or niches related with Sony Decking User Manual So depending on what exactly you are searching, you will be able tochoose ebook to suit your own need. Thank you for reading Sony Decking User Manual. Maybe you have knowledge that, people have search numerous times for their favorite readings like this Sony Decking User Manual, but end up in harmful downloads. Rather than reading a good book with a cup of coffee in the afternoon, instead they juggled with some harmful bugs inside their laptop. Sony Decking User Manual is available in our book collection an online access to it is set as public so you can download it instantly. Our digital library spans in multiple locations, allowing you to get the most less latency time to download any of our books like this one. Merely said, Sony Decking User Manual is universally compatible with any devices to read.

Find Sony Decking User Manual :

~~when greeks meets greek by samuel selvon~~

when we met al jackson

when is registration date at thekwini college for 2015

wheelchairs manual power scooters in minnesota

~~wheatie cookie recipe~~

what the moon saw laura resau

whatever happened to janie janie johnson 2 caroline b cooney

what is adp jobs report

what does grade10 paper1 mathematics consist of december paper

what paper to use for lucy calkins lab books

wheel horse 212 h manual

when is suplimentary results released in limpopo province

what s in egd paper november grade 11

when it s right

what famous book did voltaire write

Sony Decking User Manual :

l a portraits bonus being a woman in los angeles - Jan 28 2022

web following up on march 8 and international women s rights day this bonus of l a portraits captures just a moment in time to offer the possibility of knowing even for people who are not living in los angeles what it can be like for half of the population

l a portraits podcast sophie janinet listen notes - Aug 15 2023

web l a portraits the only podcast to discover the reality of los angeles life through portraits of angelenos follow us on instagram for updates and comments htt

l a portraits listen to podcasts on demand free tunein - Jul 14 2023

web aug 27 2023 l a portraits podcast on demand l a portraits the only podcast to discover the reality of los angeles life through portraits of angelenos follow us on instagram for updates and comments tinyurl com laportraitsinsta

l a portraits iheart - Feb 09 2023

web l a portraits the only podcast to discover the reality of los angeles life through portraits of angelenos

100 000 best portrait photos 100 free download pexels - Dec 27 2021

web download and use 100 000 portrait stock photos for free thousands of new images every day completely free to use high quality videos and images from pexels

l a portraits 1 complete slideshare - Mar 10 2023

web l a portraits 1 complete samsambur blogspot mx book 8888493891 a compelling follow up to la woman this is a collection of hundreds of photos docume

l a portraits podcast sophie janinet journalism - Aug 03 2022

web the podcast delves into the lives of angelinos with each episode you ll gain a deeper understanding of the diverse perspectives and experiences that shape los angeles tune in and be inspired entertained and moved by the l a portraits

[l a portraits acc art books uk](#) - Oct 05 2022

web in la portraits the internationally celebrated street photographer estevan oriol explores the vibrant gang culture pervading the city of angels the book follows its immensely popular predecessor la woman in its ability to capture an

podcast l a portraits escúchalo en amazon music - Feb 26 2022

web l a portraits the only podcast to discover the reality of los angeles life through portraits of angelenos follow us on instagram for updates and comments [tinyurl com laportraitsinsta](#)

[estevan oriol l a portraits the book youtube](#) - Jun 13 2023

web subscribe 21k views 9 years ago la portraits is the new compelling installment of oriol s work to date real l a street life the public has ever witnessed from the lens of its originator

l a portraits clara chang - Nov 06 2022

web digitally illustrated portraits of l a s studio team created while working at l a aoya hk

l a portraits podcast on amazon music - Dec 07 2022

web welcome to l a portraits the podcast wondering what this is about listen to this prologue to hop in this auditive journey which aims to figure out this city one angeleno s portrait at a time

l a portraits on apple podcasts - Jan 08 2023

web nov 2 2022 l a portraits the only podcast to discover the reality of los angeles life through portraits of angelenos

l a portraits a podcast on anchor - Sep 04 2022

web l a portraits the only podcast to discover the reality of los angeles life through portraits of angelenos listen on spotify message where to listen amazon music apple podcasts castbox google podcasts iheartradio spotify l a portraits episode 2 bob bob is the beloved retired director of crossroads and his journey is not just

l a portraits episode 1 thais l a portraits - Jun 01 2022

web thais a 31 years old actress is taking us on a drive in the hollywood hills follow us on instagram for news and updates on l a portraits [tinyurl com lappodcast](#)

l a portraits podcasts on audible audible com - Apr 11 2023

web jun 11 2023 l a portraits the only podcast to discover the reality of los angeles life through portraits of angelenos follow us on instagram for updates and

[listener numbers contacts similar podcasts l a portraits](#) - Apr 30 2022

web l a portraits the only podcast to discover the reality of los angeles life through portraits of angelenos follow us on instagram for updates and comments tinyurl com laportraitsinsta listen

[l a portraits episode 3 lis bartlett youtube](#) - May 12 2023

web l a portraits episode 3 lis bartlett youtube as a talented documentary director lis bartlett is an observer always on the lookout for powerful stories and realism yet she finds beauty

[l a glamour portraits facebook](#) - Jul 02 2022

web l a glamour portraits los angeles 100 beğenme l a glamour portraits offers high quality portraits specializing in fashion and glamour shots look

[l a portraits my new project is a podcast about los angeles](#) - Mar 30 2022

web nov 6 2022 l a portraits my new project is a podcast about los angeles sophie janinet november 6 2022 facebook 0 twitter 0 likes previous kurt farquhar s powerful message at the hmmas in los angeles sophie janinet november 18 2022 next to take oneself seriously at work or not kai teo march 22 2021

khf 950 990 seaerospace com - Jul 14 2023

web king khf 950 990 hf ssb transceiver is all about the khf 950 990 is a compact lightweight system to provide an extensive range of operator benefits it is designed with international flight operations in mind to provide superior long range communications a basic khf 950 990 system consists of either three or four units

bendix king khf 950 hf ssb communication system installation manual - Aug 03 2022

web bendix king khf 950 hf ssb communication system installation manual 006 05389 0002 25 95 available options version bendix king khf 950 hf ssb add to cart category installation manuals tags communication system installation manual khf 950 hf ssb manual number 006 05389 0002 description additional information

installation manuals eaircraftmanuals com - Jun 01 2022

web bendix king khf 950 hf ssb communication system installation manual 006 05389 0002 25 95 bendix king khf 950 hf ssb bendix king ki 229 radio magnetic installation manual 006 00192 0002 6 95 bendix king ki 229 bendix king kln 90b gps rnav installation manual 006 10521 0006 38 95 bendix king kln 90b gps

additional khf 950 installation options description 2 8 - Feb 09 2023

web additional khf 950 installation options while the standard khf 950 system requires a wire antenna of only 10 feet shorter wire antennas as well as shunt or notch antennas may also be tuned with additional hardware

[bendix king khf 950 hf transceiver install manual](#) - Mar 30 2022

web this item is king khf 950 hf transceiver install manual we answer questions and will provide many detailed photos email us altimeters charter net or altimeters att net the items are as they come from the closed airplane stores we acquire this item

is used equipment and we are selling this item untested w
system installation manual fcc id search - Jun 13 2023

web system description a basic bendix king khf 950 hf ssb communication system consists of three individual units kcu 951 control unit kac 952 power amplifier antenna coupler and the ktr 953 receiver exciter a kfs 594 miniature control unit with ka 594 bus adapter may be used in place of the kcu 951 control unit

bendixking avionics autopilots transponders - Apr 11 2023

web bendixking avionics autopilots transponders

khf 950 manual vdocuments site - Mar 10 2023

web apr 14 2015 nkfh 950 hf ssb system installation manual revision history khf 950 hf ssb system installation manual 23 2003 part number rev date description 006 05389 0000 0 feb 1994 original issue

[installation manuals aircraftmaintenancemanuals.com](#) - Dec 07 2022

web bendix king khf 950 hf ssb communication system installation manual 006 05389 0002 25 95 bendix king khf 950 hf ssb bendix king ki 202 203 204 206 207 installation manual 006 00137 0005 v2002 18 95 bendix king ki 202 203 204 206 207 bendix king ki 300 ki 300 electronic attitude indicator installation manual pin

aeroelectric.com - Sep 04 2022

web created date 7 6 2000 2 21 36 pm

bendix king khf 950 hf ssb communication system installation manual - Nov 06 2022

web description installation manual for khf 950 hf ssb communication system manual number 006 05389 0002 revision 2 april 2006 has 244 pages

bendix king khf 950 installation manual issuu - Oct 05 2022

web sep 20 2017 get bendix king khf 950 installation manual pdf file for free from our online library bendix king khf 950 installation manual fhlwphonjy pdf 55 pages 286 55 kb 13 dec 2014

khf 950 manual pdf high frequency electrical connector - May 12 2023

web khf 950 hf ssb system installation manual the system is capable of operating in a channel frequency preset mode or a direct frequency mode a micro computer within the system provides the following functions controls the non volatile storage of frequency mode and channel data

bendix king khf 950 installation manual issuu - Feb 26 2022

web jul 6 2017 get bendix king khf 950 installation manual pdf file for free from our online library related files for bendix king khf 950 installation manual pdf pdf bendix king khf 950 installation manual

bendixking ktr 953 seaerospace.com - Apr 30 2022

web sep 11 2023 receiver exciter unit for use with khf 950 hf system used in conjunction with kac 952 antenna coupler either kcu 951 or kfs 594 controls provides direct access to frequencies from 2 to 30 mhz 280 000 frequencies models available with selective calling selcal capability to relieve background noise during flight see table

aviation forum avionics bendix king khf 950 hf system - Jul 02 2022

web jan 16 2009 aviation forum aircraftbargains com forum avionics re avionics bendix king khf 950 hf system avionics bendix king khf 950 hf system last post 01 15 2009 8 44 pm by rmc avionics 4 replies

downloads manuals bendixking - Aug 15 2023

web installation manual 2020 05 08 ki 208 ki 209 navigation indicators installation manual ki 208 ki 209 ki 209a ki 209a vor loc ind w gps display w ar vor loc gs ind cv vor loc gs ind w gps display 006 00140 0004

bendix king khf 950 installation manual bespoke cityam - Jan 28 2022

web fast and simple manual fre q u e n c y t u n i n g and easy to install the versatile khf 950 is bendix king khf 950 installation manual pdf 6e82591bb71883afb8e45dafef5998c4 bendix king

bendixking khf 990 user manual 202 pages also for kfs - Jan 08 2023

web additional khf 950 installation options khf 990 remote units single khf 990 system configuration section iii operating the khf 950 990 khf 950 990 general operating information preflight inspection antenna tuning fault indication tuning faults khf 950 990 controls general kcu 1051 control display unit operation kcu 1051 general

bendix king khf 950 installation manual - Dec 27 2021

web bendix king khf 950 installation manual richard a 25 jul crankyfrank member 992 items it s easy add the manuals search extension and never lose a manual again 9 442 views 17 458 17k find your user manual here and now the 1 user manuals search service bob 06 apr

geometry flash cards free tpt - Jan 29 2022

web free geometry vocabulary cards comic sans version this free download includes 46 vocabulary cards with a word and a picture on each card use these cards to help your students grasp the vocabulary of geometry put them in a math station so partners can have quick access to the cards when they need them

shapes flashcards free printables worksheets pdf - Jul 03 2022

web shapes flashcards free printables we continue to share free flashcards now we share the collection of geometric figures cards download 12 shapes flashcards

geometry shapes flash cards teaching resources tpt - Nov 07 2022

web one set of our specialty flash cards in a single pdf file here is what you get 20 shapes in 3d flash cards prints 20 flash cards and 1 title card prints 4 pages learn and teach about geometric shapes with these new specialty flash cards each card

measures 4 25 inches by 2 25 inches after printed please see our other items in our store

shapes flashcards geometry shapes in english worksheets - Aug 04 2022

web aug 24 2021 you can use these flashcards as decoration or you can use them printed and laminated to teach the different geometry shapes or even to play with the kids around the class this set contains 14 different flashcards with 14 different geometry shapes

geometry shapes flashcards teacher resources worksheets - Jan 09 2023

web aug 28 2021 this set contains 14 different flashcards that combine the geometry shapes with some basic colors you ll find a free printable at the end of this post these flashcards have the following shapes star oval heart rhombus trapezoid rectangle triangle square circle pentagon hexagon heptagon octagon and nonagon

free printable polygon flashcards look we re learning - Mar 11 2023

web oct 7 2014 these free printable polygon flashcards are awesome for introducing preschoolers and kindergartners to basic shapes but since they include more complex shapes as well they re a good review for elementary students too

shape flashcards 26 free printable shapes cards in pdf - Jun 14 2023

web apr 1 2020 16 shape flashcards download free shapes flashcards here learn geometric shapes with your children toddlers you ll find the following shape cards in this printable pdf file circle triangle rectangle square oval ellipse right triangle heart diamond star parallelogram trapezoid crescent pentagon arrow semicircle

free printable shape flashcards 123 homeschool 4 me - Feb 10 2023

web mar 3 2023 these simple free printable shape flashcards are perfect for kids learning their shapes use these shape flashcards by hang them on the wall as a reference or use them with a variety of hands on learning shape games

[printable shapes geometry for children mr printables](#) - Feb 27 2022

web free printable shapes and geometry activities for toddlers and preschoolers designed for creative projects and fun learning shapes colors overlay play cards

geometric shapes printable flashcards myteachingstation com - Oct 06 2022

web these printable flash cards show a clear representation of each basic geometric shape to help children in preschool learn the concept of shapes and build their cognitive skills as they start to relate shapes to real world objects related workbook learning basic shapes workbook price 6 75 sale 5 75

free printable shapes flashcards templates canva - Jul 15 2023

web take a look at our 3d and 2d printable shapes flashcards and choose a set that you like click on a template to go to the design editor which has lots of customization tools as well as an extensive library of design elements

[shapes flashcards learnenglish kids](#) - May 13 2023

web print a set of shapes flashcards or print some for you to colour in and write the words

shapes flashcards the happy printable - Dec 08 2022

web may 25 2021 these colorful shapes flashcards are perfect for your preschooler learning their basic shapes or your elementary child focusing on geometric shapes here are the shapes included in these shapes flashcards oval parallelogram cross semicircle crescent hexagon pentagon right triangle isosceles triangle equilateral triangle square

printable 3d shapes flash cards mr printables - Jun 02 2022

web 1 2 3 dimensional shapes flash cards shapes geometry learn the concept and the names of some 3 dimensional shapes with these free printable shapes flash cards the shapes include the cube cone sphere cylinder pyramid dome disc and ring find examples of these shapes around the house and classrooms and use these cards to

free printable shapes flashcards pdf both black white and - Mar 31 2022

web jun 24 2021 make tags using our shapes based printable flashcards pdfs you can also make interesting tags and quotes boxes cut and paste these shapes on cardboard and carve tags to hang on cupboards etc as quotes boxes you can write short notes like eat on time see the doctor today etc and help spouse or kids stick to their

4th grade geometry flash cards free tpt - Dec 28 2021

web this free download includes 30 cards with pictures of different shapes use these cards to help your students begin to develop the ability to visualize spatial relationships they can sort them compare them group them name them etc the possibilities are endless

geometric shapes flash cards printable flash cards - Apr 12 2023

web geometric shapes flash cards there are a number of two and three dimensional shapes listed in these geometry flash cards there are 31 flash cards in this set 6 pages to print download free flash cards pdf format

[free printable shape flashcards just family fun](#) - May 01 2022

web mar 29 2022 free printable shape flashcards by gavin smith march 29 2022 it can be a challenge for toddlers and small children to learn shapes there are so many different shapes to master and it can get confusing when some shapes look so similar

printable shapes flash cards for preschool learning mr printables - Sep 05 2022

web shapes geometry teach and learn the concept and names of some basic shapes with these free printable shapes flash cards this set includes 2 pages with basic shapes for toddlers like the circle and star and an extra page with some more advanced shapes such as hexagon and parallelogram

shape flashcards teach shapes free printable flashcards - Aug 16 2023

web these simple shape flashcards are easy to recognize and full of simple and advanced colors the easier shapes are in

simple colors and the advanced shapes are in more difficult colors teach basic colors shapes and basic matching skills with these free shape flashcards the cards offer teachers the choice to make small or large flashcards