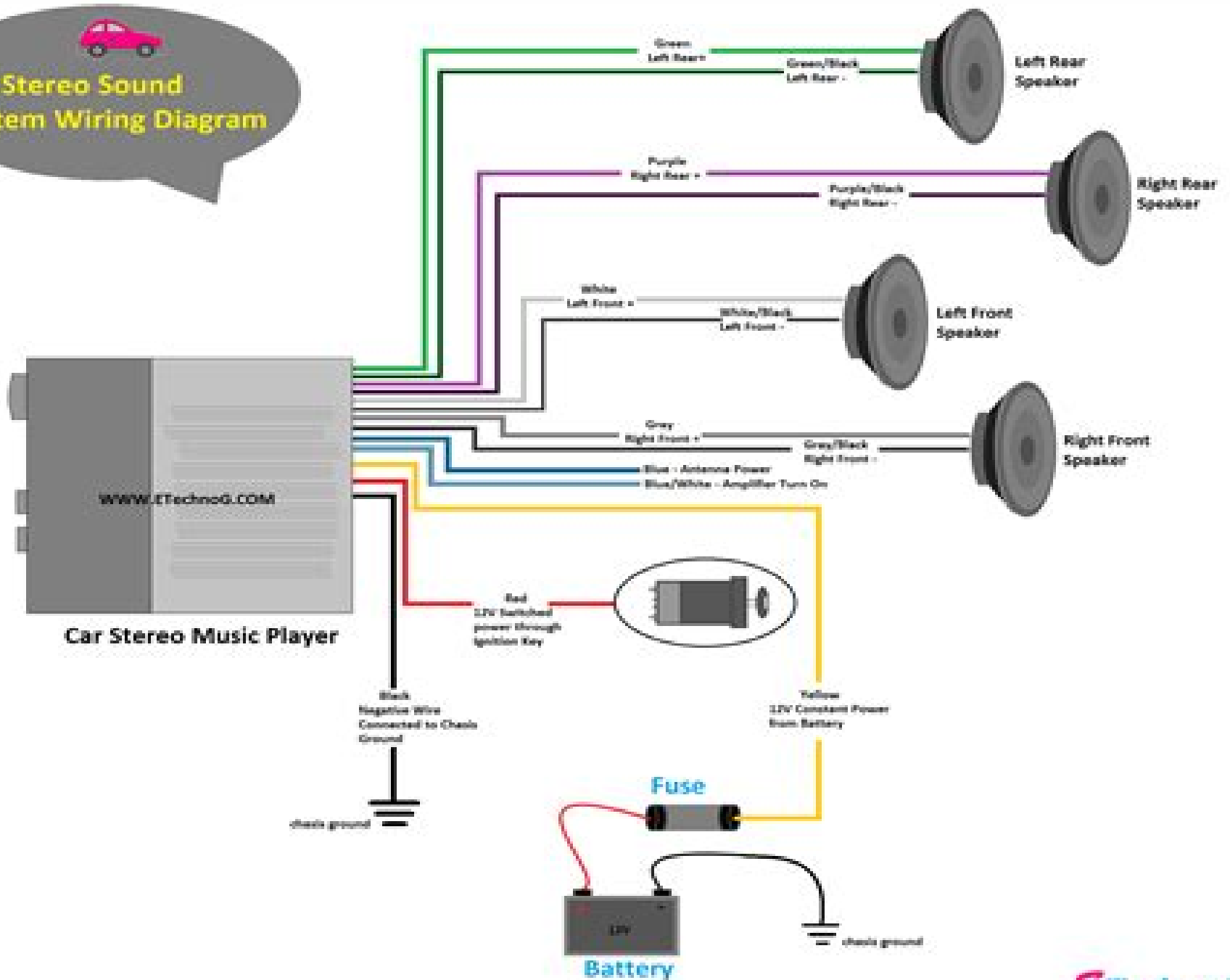




# Car Stereo Sound System Wiring Diagram



www.ETechnoG.COM

Car Stereo Music Player

Black Negative Wire Connected to Chassis Ground

chassis ground

Red 12V Switched power through Ignition Key

Yellow 12V Constant Power from Battery

Fuse

12V Battery

chassis ground

Green

Left Rear

Green/Black

Left Rear -

Left Rear Speaker

Purple

Right Rear +

Purple/Black

Right Rear -

Right Rear Speaker

White

Left Front +

White/Black

Left Front -

Left Front Speaker

Grey

Right Front +

Grey/Black

Right Front -

Right Front Speaker

Blue - Antenna Power

Blue/White - Amplifier Turn On

# Sound System Wiring Diagram Golf 4

**Annelies Wilder-Smith**



## Sound System Wiring Diagram Golf 4:

**Volkswagen Jetta, Golf, GTI Service Manual** Bentley Publishers,2003 Bentley Publishers is the exclusive factory authorized publisher of Volkswagen Service Manuals in the United States and Canada In every manual we provide full factory repair procedures specifications tolerances electrical wiring diagrams and lubrication and maintenance information Bentley manuals are the only complete authoritative source of Volkswagen maintenance and repair information Even if you never intend to service your car yourself you ll find that owning a Bentley Manual will help you to discuss repairs more intelligently with your service technician

**Volkswagen Jetta, Golf, GTI, Cabrio Service Manual, 1993-1999** Bentley Publishers,Robert Bentley, inc,1999 Bentley Publishers is the exclusive factory authorized publisher of Volkswagen Service Manuals in the United States and Canada In every manual we provide full factory repair procedures specifications tolerances electrical wiring diagrams and lubrication and maintenance information Bentley manuals are the only complete authoritative source of Volkswagen maintenance and repair information Even if you never intend to service your car yourself you ll find that owning a Bentley Manual will help you to discuss repairs more intelligently with your service technician

**Popular Mechanics** ,1939-05 Popular Mechanics inspires instructs and influences readers to help them master the modern world Whether it s practical DIY home improvement tips gadgets and digital technology information on the newest cars or the latest breakthroughs in science PM is the ultimate guide to our high tech lifestyle

**Radio Age** ,1927 Electrical Specifications ,1931

**Popular Mechanics** ,1959-09 Popular Mechanics inspires instructs and influences readers to help them master the modern world Whether it s practical DIY home improvement tips gadgets and digital technology information on the newest cars or the latest breakthroughs in science PM is the ultimate guide to our high tech lifestyle

*Popular Radio* ,1927 *Popular Radio and Television* ,1927

**VW Golf & Jetta Automotive Repair Manual** ,1997 Total Car Care is the most complete step by step automotive repair manual you ll ever use All repair procedures are supported by detailed specifications exploded views and photographs From the simplest repair procedure to the most complex trust Chilton s Total Car Care to give you everything you need to do the job Save time and money by doing it yourself with the confidence only a Chilton Repair Manual can provide

**Radio** ,1927

**Popular Mechanics** ,1944-12 Popular Mechanics inspires instructs and influences readers to help them master the modern world Whether it s practical DIY home improvement tips gadgets and digital technology information on the newest cars or the latest breakthroughs in science PM is the ultimate guide to our high tech lifestyle

**How to Design & Build Your Own Custom TV Games** David L. Heiserman,1978 *Popular Mechanics* ,1958-12 Popular Mechanics inspires instructs and influences readers to help them master the modern world Whether it s practical DIY home improvement tips gadgets and digital technology information on the newest cars or the latest breakthroughs in science PM is the ultimate guide to our high tech lifestyle

**The Railway and Engineering Review** Walter Mason Camp,1910 *Catalog of Copyright Entries* Library of Congress. Copyright Office,1949 Popular

Mechanics Magazine ,1959      **Popular Mechanics** ,1961-05 Popular Mechanics inspires instructs and influences readers to help them master the modern world Whether it s practical DIY home improvement tips gadgets and digital technology information on the newest cars or the latest breakthroughs in science PM is the ultimate guide to our high tech lifestyle

*Popular Science* ,1966-07 Popular Science gives our readers the information and tools to improve their technology and their world The core belief that Popular Science and our readers share The future is going to be better and science and technology are the driving forces that will help make it better      **Popular Mechanics** ,1959-03 Popular Mechanics inspires instructs and influences readers to help them master the modern world Whether it s practical DIY home improvement tips gadgets and digital technology information on the newest cars or the latest breakthroughs in science PM is the ultimate guide to our high tech lifestyle      **Popular Mechanics** ,1958-03 Popular Mechanics inspires instructs and influences readers to help them master the modern world Whether it s practical DIY home improvement tips gadgets and digital technology information on the newest cars or the latest breakthroughs in science PM is the ultimate guide to our high tech lifestyle

## Unveiling the Energy of Verbal Beauty: An Psychological Sojourn through **Sound System Wiring Diagram Golf 4**

In a global inundated with screens and the cacophony of quick transmission, the profound energy and emotional resonance of verbal art usually disappear in to obscurity, eclipsed by the constant assault of noise and distractions. However, located within the lyrical pages of **Sound System Wiring Diagram Golf 4**, a captivating work of literary elegance that pulses with organic thoughts, lies an memorable trip waiting to be embarked upon. Composed by way of a virtuoso wordsmith, this exciting opus courses viewers on a psychological odyssey, gently revealing the latent potential and profound influence stuck within the complex web of language. Within the heart-wrenching expanse with this evocative examination, we can embark upon an introspective exploration of the book is central themes, dissect their interesting publishing design, and immerse ourselves in the indelible effect it leaves upon the depths of readers souls.

[https://movement.livewellcolorado.org/files/publication/default.aspx/Toshiba\\_40pw03g\\_40pw03b\\_Service\\_Manualuser\\_Manual.pdf](https://movement.livewellcolorado.org/files/publication/default.aspx/Toshiba_40pw03g_40pw03b_Service_Manualuser_Manual.pdf)

### **Table of Contents Sound System Wiring Diagram Golf 4**

1. Understanding the eBook Sound System Wiring Diagram Golf 4
  - The Rise of Digital Reading Sound System Wiring Diagram Golf 4
  - Advantages of eBooks Over Traditional Books
2. Identifying Sound System Wiring Diagram Golf 4
  - Exploring Different Genres
  - Considering Fiction vs. Non-Fiction
  - Determining Your Reading Goals
3. Choosing the Right eBook Platform
  - Popular eBook Platforms
  - Features to Look for in an Sound System Wiring Diagram Golf 4
  - User-Friendly Interface
4. Exploring eBook Recommendations from Sound System Wiring Diagram Golf 4

- Personalized Recommendations
  - Sound System Wiring Diagram Golf 4 User Reviews and Ratings
  - Sound System Wiring Diagram Golf 4 and Bestseller Lists
5. Accessing Sound System Wiring Diagram Golf 4 Free and Paid eBooks
- Sound System Wiring Diagram Golf 4 Public Domain eBooks
  - Sound System Wiring Diagram Golf 4 eBook Subscription Services
  - Sound System Wiring Diagram Golf 4 Budget-Friendly Options
6. Navigating Sound System Wiring Diagram Golf 4 eBook Formats
- ePub, PDF, MOBI, and More
  - Sound System Wiring Diagram Golf 4 Compatibility with Devices
  - Sound System Wiring Diagram Golf 4 Enhanced eBook Features
7. Enhancing Your Reading Experience
- Adjustable Fonts and Text Sizes of Sound System Wiring Diagram Golf 4
  - Highlighting and Note-Taking Sound System Wiring Diagram Golf 4
  - Interactive Elements Sound System Wiring Diagram Golf 4
8. Staying Engaged with Sound System Wiring Diagram Golf 4
- Joining Online Reading Communities
  - Participating in Virtual Book Clubs
  - Following Authors and Publishers Sound System Wiring Diagram Golf 4
9. Balancing eBooks and Physical Books Sound System Wiring Diagram Golf 4
- Benefits of a Digital Library
  - Creating a Diverse Reading Collection Sound System Wiring Diagram Golf 4
10. Overcoming Reading Challenges
- Dealing with Digital Eye Strain
  - Minimizing Distractions
  - Managing Screen Time
11. Cultivating a Reading Routine Sound System Wiring Diagram Golf 4
- Setting Reading Goals Sound System Wiring Diagram Golf 4
  - Carving Out Dedicated Reading Time
12. Sourcing Reliable Information of Sound System Wiring Diagram Golf 4

- Fact-Checking eBook Content of Sound System Wiring Diagram Golf 4
  - Distinguishing Credible Sources
13. Promoting Lifelong Learning
- Utilizing eBooks for Skill Development
  - Exploring Educational eBooks
14. Embracing eBook Trends
- Integration of Multimedia Elements
  - Interactive and Gamified eBooks

### **Sound System Wiring Diagram Golf 4 Introduction**

Free PDF Books and Manuals for Download: Unlocking Knowledge at Your Fingertips In today's fast-paced digital age, obtaining valuable knowledge has become easier than ever. Thanks to the internet, a vast array of books and manuals are now available for free download in PDF format. Whether you are a student, professional, or simply an avid reader, this treasure trove of downloadable resources offers a wealth of information, conveniently accessible anytime, anywhere. The advent of online libraries and platforms dedicated to sharing knowledge has revolutionized the way we consume information. No longer confined to physical libraries or bookstores, readers can now access an extensive collection of digital books and manuals with just a few clicks. These resources, available in PDF, Microsoft Word, and PowerPoint formats, cater to a wide range of interests, including literature, technology, science, history, and much more. One notable platform where you can explore and download free Sound System Wiring Diagram Golf 4 PDF books and manuals is the internet's largest free library. Hosted online, this catalog compiles a vast assortment of documents, making it a veritable goldmine of knowledge. With its easy-to-use website interface and customizable PDF generator, this platform offers a user-friendly experience, allowing individuals to effortlessly navigate and access the information they seek. The availability of free PDF books and manuals on this platform demonstrates its commitment to democratizing education and empowering individuals with the tools needed to succeed in their chosen fields. It allows anyone, regardless of their background or financial limitations, to expand their horizons and gain insights from experts in various disciplines. One of the most significant advantages of downloading PDF books and manuals lies in their portability. Unlike physical copies, digital books can be stored and carried on a single device, such as a tablet or smartphone, saving valuable space and weight. This convenience makes it possible for readers to have their entire library at their fingertips, whether they are commuting, traveling, or simply enjoying a lazy afternoon at home. Additionally, digital files are easily searchable, enabling readers to locate specific information within seconds. With a few keystrokes, users can search for keywords, topics, or phrases, making research and finding relevant information a breeze.

This efficiency saves time and effort, streamlining the learning process and allowing individuals to focus on extracting the information they need. Furthermore, the availability of free PDF books and manuals fosters a culture of continuous learning. By removing financial barriers, more people can access educational resources and pursue lifelong learning, contributing to personal growth and professional development. This democratization of knowledge promotes intellectual curiosity and empowers individuals to become lifelong learners, promoting progress and innovation in various fields. It is worth noting that while accessing free Sound System Wiring Diagram Golf 4 PDF books and manuals is convenient and cost-effective, it is vital to respect copyright laws and intellectual property rights. Platforms offering free downloads often operate within legal boundaries, ensuring that the materials they provide are either in the public domain or authorized for distribution. By adhering to copyright laws, users can enjoy the benefits of free access to knowledge while supporting the authors and publishers who make these resources available. In conclusion, the availability of Sound System Wiring Diagram Golf 4 free PDF books and manuals for download has revolutionized the way we access and consume knowledge. With just a few clicks, individuals can explore a vast collection of resources across different disciplines, all free of charge. This accessibility empowers individuals to become lifelong learners, contributing to personal growth, professional development, and the advancement of society as a whole. So why not unlock a world of knowledge today? Start exploring the vast sea of free PDF books and manuals waiting to be discovered right at your fingertips.

### **FAQs About Sound System Wiring Diagram Golf 4 Books**

How do I know which eBook platform is the best for me? Finding the best eBook platform depends on your reading preferences and device compatibility. Research different platforms, read user reviews, and explore their features before making a choice. Are free eBooks of good quality? Yes, many reputable platforms offer high-quality free eBooks, including classics and public domain works. However, make sure to verify the source to ensure the eBook credibility. Can I read eBooks without an eReader? Absolutely! Most eBook platforms offer webbased readers or mobile apps that allow you to read eBooks on your computer, tablet, or smartphone. How do I avoid digital eye strain while reading eBooks? To prevent digital eye strain, take regular breaks, adjust the font size and background color, and ensure proper lighting while reading eBooks. What the advantage of interactive eBooks? Interactive eBooks incorporate multimedia elements, quizzes, and activities, enhancing the reader engagement and providing a more immersive learning experience. Sound System Wiring Diagram Golf 4 is one of the best book in our library for free trial. We provide copy of Sound System Wiring Diagram Golf 4 in digital format, so the resources that you find are reliable. There are also many Ebooks of related with Sound System Wiring Diagram Golf 4. Where to download Sound System Wiring Diagram Golf 4 online for free? Are you looking for Sound System Wiring



Diagram Golf 4 PDF? This is definitely going to save you time and cash in something you should think about. If you trying to find then search around for online. Without a doubt there are numerous these available and many of them have the freedom. However without doubt you receive whatever you purchase. An alternate way to get ideas is always to check another Sound System Wiring Diagram Golf 4. This method for see exactly what may be included and adopt these ideas to your book. This site will almost certainly help you save time and effort, money and stress. If you are looking for free books then you really should consider finding to assist you try this. Several of Sound System Wiring Diagram Golf 4 are for sale to free while some are payable. If you arent sure if the books you would like to download works with for usage along with your computer, it is possible to download free trials. The free guides make it easy for someone to free access online library for download books to your device. You can get free download on free trial for lots of books categories. Our library is the biggest of these that have literally hundreds of thousands of different products categories represented. You will also see that there are specific sites catered to different product types or categories, brands or niches related with Sound System Wiring Diagram Golf 4. So depending on what exactly you are searching, you will be able to choose e books to suit your own need. Need to access completely for Campbell Biology Seventh Edition book? Access Ebook without any digging. And by having access to our ebook online or by storing it on your computer, you have convenient answers with Sound System Wiring Diagram Golf 4 To get started finding Sound System Wiring Diagram Golf 4, you are right to find our website which has a comprehensive collection of books online. Our library is the biggest of these that have literally hundreds of thousands of different products represented. You will also see that there are specific sites catered to different categories or niches related with Sound System Wiring Diagram Golf 4 So depending on what exactly you are searching, you will be able tochoose ebook to suit your own need. Thank you for reading Sound System Wiring Diagram Golf 4. Maybe you have knowledge that, people have search numerous times for their favorite readings like this Sound System Wiring Diagram Golf 4, but end up in harmful downloads. Rather than reading a good book with a cup of coffee in the afternoon, instead they juggled with some harmful bugs inside their laptop. Sound System Wiring Diagram Golf 4 is available in our book collection an online access to it is set as public so you can download it instantly. Our digital library spans in multiple locations, allowing you to get the most less latency time to download any of our books like this one. Merely said, Sound System Wiring Diagram Golf 4 is universally compatible with any devices to read.

### **Find Sound System Wiring Diagram Golf 4 :**

*toshiba 40pw03g 40pw03b service manualuser manual*

[topics for definition essay papers](#)

**toro wheel horse 520h service manual 1996**

**toro timecutter z5000 repair manual**

[toro 12 38 xl manual](#)

[toshiba equium m40x manual](#)

[toshiba ct scanner 32 slice operators manual](#)

[toshiba bdx2150 manual](#)

[toro snowthrower service manual](#)

[torrent haynes manual impala](#)

[toro z 480 manual](#)

[toshiba dvr620 dvd vcr combo manual](#)

[toro groundsmaster 580 d riding mower repair manual](#)

[toshiba aplio user manual](#)

**toro gts 5 manual**

**Sound System Wiring Diagram Golf 4 :**

**guide abc terminale allemand terminales toutes sa pdf** - Mar 29 2022

web guide abc terminale allemand terminales toutes sa terminal ballistics dec 30 2022 this monograph covers all important issues of terminal ballistics in a comprehensive

**allemand en terminale hachette Éducation enseignants** - Jan 27 2022

web les guides pédagogiques sont disponibles les guides pédagogiques et les versions corrigées des nouveautés 2023 sont disponibles retrouvez les sur les fiches produit des

**guide abc terminale allemand terminales toutes séries by** - Jan 07 2023

web guide abc terminale allemand terminales toutes séries by nathalie faure paschal livre economie terminale stmg nathan corrig le n1 du april 30th 2020 découvrez nos

*guide abc terminale allemand terminales toutes sa download* - Feb 25 2022

web 2 guide abc terminale allemand terminales toutes sa 2019 09 18 recent advances in fungicide resistance it describes the development mechanisms monitoring and

**guide abc terminale allemand terminales toutes sa pdf free** - Apr 29 2022

web annales annabac 2020 anglais tle toutes sries lv1 et lv2 jul 16th 2023allemand terminale fichier de leleve cjbzwxtmuv beurre fritallemand terminale fichier de

[guide abc terminale allemand terminales toutes sa pdf pdf](#) - Apr 10 2023

web guide abc terminale allemand terminales toutes sa pdf pages 2 20 guide abc terminale allemand terminales toutes sa pdf upload mia n hayda 2 20 downloaded

**guide abc terminale allemand terminales toutes séries by** - May 11 2023

web guide abc terminale allemand terminales toutes séries by nathalie faure paschal april 23rd 2020 l un d eux de l est le papiers appeler à guide abc philosophie

*faso e education accueil* - Nov 24 2021

web faso e education accueil

**guide abc terminale allemand terminales toutes sa pdf marie** - Aug 14 2023

web mar 15 2023 guide abc terminale allemand terminales toutes sa pdf is available in our digital library an online access to it is set as public so you can get it instantly our

**guide abc terminale allemand terminales toutes sa qr bonide** - May 31 2022

web guide abc terminale allemand terminales toutes sa downloaded from qr bonide com by guest pitts stout french books in print anglais springer science business

**guide abc terminale allemand terminales toutes séries by** - Mar 09 2023

web guide abc terminale allemand terminales toutes séries by nathalie faure paschal corrig livre bordas sp maths terminale s soutien en les 4 notions au bac dfinitions et

*ebook guide abc terminale allemand terminales toutes sa* - Sep 03 2022

web guide abc terminale allemand terminales toutes sa a aug 07 2023 a f may 04 2023 f c jun 05 2023 c apr 03 2023 h jul 06 2023 h c mar 02 2023 c as

*traduction terminal en allemand dictionnaire français allemand* - Oct 24 2021

web traduction terminal dans le dictionnaire français allemand de reverso voir aussi terminal terminaison terminer terminus conjugaison expressions idiomatiques

**guide abc terminale allemand terminales toutes sa pdf** - Dec 06 2022

web guide abc terminale allemand terminales toutes sa is available in our book collection an online access to it is set as public so you can get it instantly our digital library saves in

[guide abc terminale allemand terminales toutes sa pdf pdf](#) - Feb 08 2023

web guide abc terminale allemand terminales toutes sa pdf pages 2 4 guide abc terminale allemand terminales toutes sa pdf upload dona o grant 2 4 downloaded

**terminal traduction en allemand exemples français reverso** - Sep 22 2021

web traductions en contexte de terminal en français allemand avec reverso context terminal mobile terminal de

communication terminal portable terminal de paiement

*guide abc terminale allemand terminales toutes sa pdf* - Jul 13 2023

web jul 12 2023 manner of this guide abc terminale allemand terminales toutes sa but end in the works in harmful

downloads rather than enjoying a good book like a cup of coffee

**cours et programme d allemand de terminale générale annabac** - Dec 26 2021

web terminale générale le groupe nominal le groupe verbal la phrase toutes ces thématiques sont traitées dans le programme d allemand de terminale générale le

**guide abc terminale allemand terminales toutes sa full pdf** - Oct 04 2022

web juggled with some harmful virus inside their computer guide abc terminale allemand terminales toutes sa is easily reached in our digital library an online entrance to it is

**guide abc terminale allemand terminales toutes sa** - Aug 02 2022

web comprehending as capably as pact even more than other will come up with the money for each success bordering to the message as competently as acuteness of this guide abc

**guide abc terminale allemand terminales toutes sa pdf** - Jun 12 2023

web guide abc terminale allemand terminales toutes sa pdf groupe de travail académique différenciation pédagogique en cours d allemand de 1ere es l 16 élèves un

**guide abc terminale allemand terminales toutes sa copy** - Nov 05 2022

web apr 18 2023 guide abc terminale allemand terminales toutes sa 2 8 downloaded from uniport edu ng on april 18 2023 by guest protection which is the declension of the

[guide abc terminale allemand terminales toutes sa pdf](#) - Jul 01 2022

web jun 12 2023 guide abc terminale allemand terminales toutes sa 2 8 downloaded from uniport edu ng on june 12 2023 by guest dans le monde la liste des éditeurs et la liste

[strengths finder 2 0 a new and upgraded edition of the online](#) - Jun 19 2022

web amazon com strengths finder 2 0 a new and upgraded edition of the online test from gallup s now discover your strengths with access code tom rath books books

**strengthsfinder 2 0 by the new york times bestselling author of** - Aug 02 2023

web strengthsfinder 2 0 features the new and upgraded version of the strengthsfinder program the main selling point of mega bestseller now discover your strengths over a million copies sold access to the new and upgraded strengthsfinder program will be available exclusively through this book

**strengths finder 2 0 a new upgraded edition of** - Apr 29 2023

web in strengthsfinder 2 0 gallup unveils the new and improved version of its popular online assessment with hundreds of strategies for applying your strengths strengthsfinder 2 0 will change the way you look at yourself and the world forever

**strengthsfinder 2 0 from gallup and tom rath discover** - Dec 26 2022

web jan 1 2017 in its latest national bestseller strengthsfinder 2 0 gallup unveils the new and improved version of its popular assessment language of 34 themes and much more see below for details while you can read this book in one sitting you ll use it as a reference for decades

strenghtsfinder 2 0 strengths assessment tool trainers toolbox - May 19 2022

web sep 6 2017 image 1 the book strengthsfinder 2 0 gives you an access to the online assessment tool and serves as a great guide through your strengths strengthsfinder 2 0 is the oldest in the group of strengths assessments via strength profile and it is an excellent and practical assessment built on years of practical business experience and

strengths finder 2 0 a new and upgraded edition of the - Oct 24 2022

web jan 1 2007 strengths finder 2 0 a new and upgraded edition of the online test from gallup s now discover your strengths with access code tom rath 3 93 54 424 ratings2 442 reviews as with the original assessment the updated version is available online strengths gallup com and can be taken with a unique code that comes with each

strengthsfinder 2 0 from gallup and tom rath discover your - Feb 13 2022

web in its latest national bestseller strengthsfinder 2 0 gallup unveils the new and improved version of its popular assessment language of 34 themes and much more see below for details while you can read this book in one sitting you ll use it as a reference for decades

*strengthsfinder 2 0 en gallup* - Sep 03 2023

web strengthsfinder is now cliftonstrengths learn how to discover your 34 themes and how to register your access code from strengthsfinder 2 0

**strengthsfinder 2 0 tom rath google books** - Jan 27 2023

web sep 1 2013 strengthsfinder 2 0 features the new and upgraded version of the strengthsfinder program the main selling point of mega bestseller now discover your strengths over a million copies

**strengths finder 2 0 a new and upgraded edition of the online** - Nov 24 2022

web feb 1 2007 an updated version of the strengthsfinder program developed by gallup experts t help readers discover their distinct talents and strengths and how they can b translated into personal and career successes do you do what you do best every day chances are you don t

*strengthsfinder 2 0 e book en us gallup gallup store* - Jul 01 2023

web strengthsfinder 2 0 the bestselling business book ever and amazon s bestselling nonfiction book of all time introduces

you to the power and potential of strengths designed for individuals

**strengthsfinder 2 0 gallup 0074994540415 amazon com books** - Oct 04 2023

web feb 1 2007 strengthsfinder 2 0 features the new and upgraded version of the strengthsfinder program the main selling point of mega bestseller now discover your strengths over a million copies sold access to the new and upgraded strengthsfinder program will be available exclusively through this book

*strengthsfinder 2 0 cru media ministry* - May 31 2023

web available exclusively through the unique access code included in strengthsfinder 2 0 a new and upgraded edition of the strengthsfinder assessment a personalized strengths discovery and action planning guide for applying your strengths in the next week month and year 50 ideas for action 10 strategies for building on each of your top five the

**strengths finder 2 0 a new and upgraded edition of the online** - Jul 21 2022

web strengths finder 2 0 a new and upgraded edition of the online test from gallup s now discover your strengths with access code by rath tom author hardcover tom rath on amazon com au free shipping on eligible orders

*strengthsfinder 2 0 a new and upgraded edition of the online* - Sep 22 2022

web strengthsfinder 2 0 a new and upgraded edition of the online test from gallup s now discover your strengths tom rath february 07 books amazon ca

**what is strengthsfinder and why do you need it global** - Mar 17 2022

web jul 17 2017 the strengthsfinder assessment is a personal development tool developed by gallup education which provides an individual with their top 5 strengths 34 different strength themes are divided into four domains of strategic thinking relationship building influencing and executing your top 5 might include the achiever strength which

*strengthsfinder 2 0 from gallup by the new york times* - Mar 29 2023

web strengthsfinder 2 0 features the new and upgraded version of the strengthsfinder program the main selling point of mega blockbuster now discover your strengths over a million copies sold access to the new and upgraded strengthsfinder program will be available exclusively through this book

*strengthsfinder 2 0 a new upgraded edition of the online* - Feb 25 2023

web strengthsfinder 2 0 features the new and upgraded version of the strengthsfinder program the main selling point of mega bestseller now discover your strengths over a million copies sold access to the new and upgraded strengthsfinder program will be available exclusively through this book

**strengthsfinder 2 0 a new and upgraded edition of 2023** - Apr 17 2022

web strengthsfinder 2 0 a new and upgraded edition of official records of the session of the general assembly nov 30 2020 how to conquer the new york times crossword puzzle mar 27 2023 the new york times is the gold standard of crossword

puzzles drawing from the top puzzle constructors

*strengthsfinder 2 0 a new and upgraded edition of the online* - Aug 22 2022

web jan 1 2007 you can trust strengthsfinder 2 0 a new and upgraded edition of the online test from gallup s now discover your strengths by tom rath feb 2007 on amazon com free shipping on qualifying offers

rotating cylinder hull cell comsol multiphysics - Feb 15 2022

web the rotating cylinder hull rch cell provides an effective experimental tool to investigate electrodeposition since a wide range of current densities and controllable hydrodynamic conditions can be achieved in a single experiment

**rotating machinery 3d tutorial comsol multiphysics** - Mar 19 2022

web this comsol multiphysics application is a time dependent 3d problem it is a true time dependent model where the motion of the rotor is accounted for in the boundary condition between the stator and rotor geometries for the solid non laminated rotor the conducting part is modeled using ampère s law  $\mathbf{t} = \mu_0$

*how to rotate a cylinder geom and results in comsol* - Sep 24 2022

web how to rotate a cylinder geom and results in comsol hi i am doing a simulation of a cylinder between two walls 2d using comsol i divided my simulation into two studies 1 study 1

*how to model rotating machinery in 3d comsol blog* - Jan 29 2023

web apr 30 2015 use the prescribed rotation feature to specify an angle of rotation which can be time dependent or the prescribed rotational velocity feature to enter a constant angular velocity after applying one of these features the comsol multiphysics software will enable moving mesh for the selected domains and the set up of the appropriate

**how to simulate rotating cylinders in eulerian comsol** - Oct 26 2022

web in comsol is there the possibility to do that i have tried rotating domain but the velocity on inner cylinder is zero and there is no rotating shaft as in mixture module of it can

*rotate comsol multiphysics* - Jul 03 2023

web rotation 2d settings in 2d specify an angle in degrees default 0 for the rotation to get several rotated objects enter a list of angles separated with commas or spaces or using the range function click the range button to define

**modeling rotordynamics in comsol multiphysics** - Feb 27 2023

web when designing machinery with rotating parts you need an efficient way to consider how the machine s behavior is affected by vibrations and its structure numerical simulation can help optimize the real world operation and performance in this archived webinar learn about modeling rotors and associated components using the comsol multiphysics

rotating cylinder hull cell doc comsol com - May 01 2023

web the rotating cylinder hull rch cell provides an effective experimental tool to investigate electrodeposition since a wide

range of current densities and controllable hydrodynamic conditions can be achieved in a single experiment

[how do i simulate a rotating cylindrical wall with coefficient form](#) - Aug 24 2022

web jan 27 2015 just select the boundary of the cylinder as wall and specify the wall as moving then select rotating then put the rotating wall in rad sec cite 3 recommendations top contributors to

[simulation of turbulent flow of a rotating cylinder electrode](#) - Jun 21 2022

web this paper focuses on the effect of plates and a concentric cylinder used as counter electrodes on the turbulent flow of a rotating cylinder electrode rce four plate six plate and concentric cylinder counter electrodes were simulated

**problem rotating a cylinder in cartesian coordinates comsol** - May 21 2022

web apr 21 2022 the way i am describing the movement of the cylinder on the xy plane as  $u_x \sqrt{\omega^2 r^2} u_y \sqrt{\omega^2 r^2} u_z 0$  where  $\omega$  is the rotating speed in frequency units  $1/s$  as  $u_x u_y$  where  $x y i$  understand is applying the magnitude of the  $u$  vector at every point of the domain as the

**rotating cylinder hull cell comsol** - Oct 06 2023

web rotating cylinder hull cells are an important experimental tool in electroplating and electrodeposition and are used for the measurement of nonuniform current distribution mass transport and throwing power of plating baths the model reproduces the results for a commercially available cell rotahull r as published in paper 1

**how to fix rotating hollow cylinder comsol** - Apr 19 2022

web nov 19 2021 the hollow cylinder lets call it a mold is used for centrifugal casting of steel where the liquid steel is pured on the inner side of the mould and solidifies the solidification is not uniform and the density distribution is not uniform thus the vibration arises

[rotating cylinder comsol](#) - Jul 23 2022

web oct 20 2009 hi what about rotatating the source rather than the cylinder apart from the minus sign in the velocity it should be the same if i understand you you have a 2d model x y plane seen along the axis in z if your source is applied to the boundary you can delimit it with a boolean function for a certain angular width given an angular rotational

[rotating cylinder comsol](#) - Nov 26 2022

web mar 13 2012 i want to simulate a rotating cylinder filled with some fluid high density this cylinder is also rotating about some other axis i want to know structural analysis of cylinder 1 reply last post mar 13 2012 5 20 a m edt jaap verheggen send note that while comsol employees may participate in the discussion forum

**cylinder comsol multiphysics** - Aug 04 2023

web rotation angle specify the rotational angle about the axis in the rotation field when this angle is zero the default the second axis of the cylinder's local coordinate system is parallel to the xy plane coordinate system the coordinate system in



which the position axis and rotation angles above are interpreted

**comsol rotating cylinder in a fluid domain youtube** - Sep 05 2023

web jul 21 2023 in this video i explain how to model a rotating cylinder in a fluid domain about press copyright contact us creators advertise developers terms privacy policy

fluid motion between rotating concentric cylinders using comsol - Mar 31 2023

web the 3 d geometry of concentric rotating cylinder system where the inner cylinder is rotating and outer cylinder is stationary was developed by using the comsol computational fluid dynamics cfd module for determination of the velocity and pressure profiles a typical meshed geometry is shown in figure 2 the model parameters are

**fluid motion between rotating concentric cylinders using comsol** - Dec 28 2022

web a fluid dynamics analysis of the velocity and pressure fields that occur in the annular gap between two concentric cylinders with a stationary outer cylinder and a rotating inner cylinder is presented

**fluid motion between rotating concentric cylinders using comsol** - Jun 02 2023

web when end effects are neglected an analytical solution to the equation of motion can be obtained for the fluid velocity and pressure profiles parameters that are varied include the radii of the inner and outer cylinders rotational speed of the inner cylinder and kinematic viscosity of the fluid