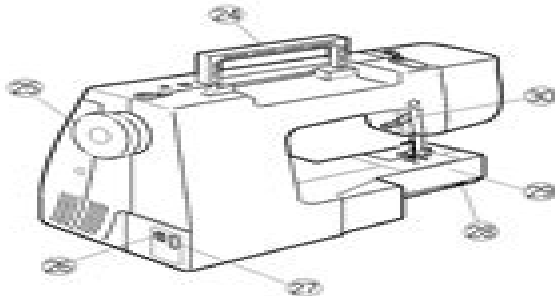
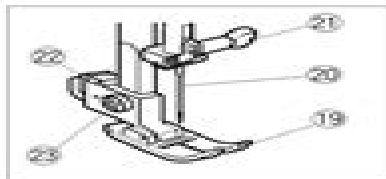
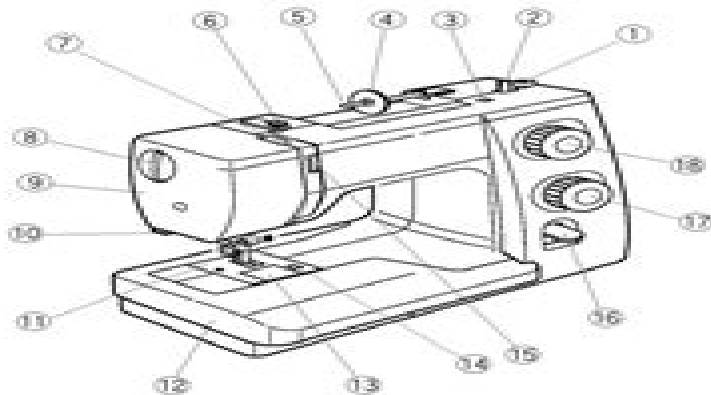


SECTION 1. KNOW YOUR MACHINE

Names of Parts

- ① Bobbin winder stopper
- ② Bobbin winder spindle
- ③ Hole for additional spool pin
- ④ Spool holder
- ⑤ Spool pin
- ⑥ Bobbin winder thread guide
- ⑦ Thread take-up lever
- ⑧ Foot pressure dial
- ⑨ Face plate
- ⑩ Thread cutter
- ⑪ Needle plate
- ⑫ Extension table (Accessory storage)
- ⑬ Hook cover plate
- ⑭ Hook cover plate release button
- ⑮ Thread tension dial
- ⑯ Reverse stitch lever
- ⑰ Stitch length dial
- ⑱ Pattern selector dial
- ⑲ Presser foot
- ⑳ Needle
- ㉑ Needle clamp screw
- ㉒ Foot holder
- ㉓ Setscrew
- ㉔ Carrying handle
- ㉕ Handwheel
- ㉖ Power switch
- ㉗ Machine socket
- ㉘ Drop feed lever
- ㉙ Free-arm
- ㉚ Foot lifter



User Manual For Janome Sewist 509

White Sewing Machine Company



User Manual For Janome Sewist 509:

If you ally need such a referred **User Manual For Janome Sewist 509** books that will pay for you worth, get the agreed best seller from us currently from several preferred authors. If you desire to droll books, lots of novels, tale, jokes, and more fictions collections are as well as launched, from best seller to one of the most current released.

You may not be perplexed to enjoy every book collections User Manual For Janome Sewist 509 that we will categorically offer. It is not on the subject of the costs. Its virtually what you infatuation currently. This User Manual For Janome Sewist 509, as one of the most functioning sellers here will completely be in the middle of the best options to review.

<https://movement.livewellcolorado.org/public/book-search/default.aspx/xtreme%20paper%200580%2043%20m%20j%2041.pdf>

Table of Contents User Manual For Janome Sewist 509

1. Understanding the eBook User Manual For Janome Sewist 509
 - The Rise of Digital Reading User Manual For Janome Sewist 509
 - Advantages of eBooks Over Traditional Books
2. Identifying User Manual For Janome Sewist 509
 - Exploring Different Genres
 - Considering Fiction vs. Non-Fiction
 - Determining Your Reading Goals
3. Choosing the Right eBook Platform
 - Popular eBook Platforms
 - Features to Look for in an User Manual For Janome Sewist 509
 - User-Friendly Interface
4. Exploring eBook Recommendations from User Manual For Janome Sewist 509
 - Personalized Recommendations
 - User Manual For Janome Sewist 509 User Reviews and Ratings
 - User Manual For Janome Sewist 509 and Bestseller Lists

5. Accessing User Manual For Janome Sewist 509 Free and Paid eBooks
 - User Manual For Janome Sewist 509 Public Domain eBooks
 - User Manual For Janome Sewist 509 eBook Subscription Services
 - User Manual For Janome Sewist 509 Budget-Friendly Options
6. Navigating User Manual For Janome Sewist 509 eBook Formats
 - ePub, PDF, MOBI, and More
 - User Manual For Janome Sewist 509 Compatibility with Devices
 - User Manual For Janome Sewist 509 Enhanced eBook Features
7. Enhancing Your Reading Experience
 - Adjustable Fonts and Text Sizes of User Manual For Janome Sewist 509
 - Highlighting and Note-Taking User Manual For Janome Sewist 509
 - Interactive Elements User Manual For Janome Sewist 509
8. Staying Engaged with User Manual For Janome Sewist 509
 - Joining Online Reading Communities
 - Participating in Virtual Book Clubs
 - Following Authors and Publishers User Manual For Janome Sewist 509
9. Balancing eBooks and Physical Books User Manual For Janome Sewist 509
 - Benefits of a Digital Library
 - Creating a Diverse Reading Collection User Manual For Janome Sewist 509
10. Overcoming Reading Challenges
 - Dealing with Digital Eye Strain
 - Minimizing Distractions
 - Managing Screen Time
11. Cultivating a Reading Routine User Manual For Janome Sewist 509
 - Setting Reading Goals User Manual For Janome Sewist 509
 - Carving Out Dedicated Reading Time
12. Sourcing Reliable Information of User Manual For Janome Sewist 509
 - Fact-Checking eBook Content of User Manual For Janome Sewist 509
 - Distinguishing Credible Sources
13. Promoting Lifelong Learning

- Utilizing eBooks for Skill Development
 - Exploring Educational eBooks
14. Embracing eBook Trends
- Integration of Multimedia Elements
 - Interactive and Gamified eBooks

User Manual For Janome Sewist 509 Introduction

Free PDF Books and Manuals for Download: Unlocking Knowledge at Your Fingertips In today's fast-paced digital age, obtaining valuable knowledge has become easier than ever. Thanks to the internet, a vast array of books and manuals are now available for free download in PDF format. Whether you are a student, professional, or simply an avid reader, this treasure trove of downloadable resources offers a wealth of information, conveniently accessible anytime, anywhere. The advent of online libraries and platforms dedicated to sharing knowledge has revolutionized the way we consume information. No longer confined to physical libraries or bookstores, readers can now access an extensive collection of digital books and manuals with just a few clicks. These resources, available in PDF, Microsoft Word, and PowerPoint formats, cater to a wide range of interests, including literature, technology, science, history, and much more. One notable platform where you can explore and download free User Manual For Janome Sewist 509 PDF books and manuals is the internet's largest free library. Hosted online, this catalog compiles a vast assortment of documents, making it a veritable goldmine of knowledge. With its easy-to-use website interface and customizable PDF generator, this platform offers a user-friendly experience, allowing individuals to effortlessly navigate and access the information they seek. The availability of free PDF books and manuals on this platform demonstrates its commitment to democratizing education and empowering individuals with the tools needed to succeed in their chosen fields. It allows anyone, regardless of their background or financial limitations, to expand their horizons and gain insights from experts in various disciplines. One of the most significant advantages of downloading PDF books and manuals lies in their portability. Unlike physical copies, digital books can be stored and carried on a single device, such as a tablet or smartphone, saving valuable space and weight. This convenience makes it possible for readers to have their entire library at their fingertips, whether they are commuting, traveling, or simply enjoying a lazy afternoon at home. Additionally, digital files are easily searchable, enabling readers to locate specific information within seconds. With a few keystrokes, users can search for keywords, topics, or phrases, making research and finding relevant information a breeze. This efficiency saves time and effort, streamlining the learning process and allowing individuals to focus on extracting the information they need. Furthermore, the availability of free PDF books and manuals fosters a culture of continuous learning. By removing financial barriers, more people can access educational resources and pursue lifelong learning, contributing to

personal growth and professional development. This democratization of knowledge promotes intellectual curiosity and empowers individuals to become lifelong learners, promoting progress and innovation in various fields. It is worth noting that while accessing free User Manual For Janome Sewist 509 PDF books and manuals is convenient and cost-effective, it is vital to respect copyright laws and intellectual property rights. Platforms offering free downloads often operate within legal boundaries, ensuring that the materials they provide are either in the public domain or authorized for distribution. By adhering to copyright laws, users can enjoy the benefits of free access to knowledge while supporting the authors and publishers who make these resources available. In conclusion, the availability of User Manual For Janome Sewist 509 free PDF books and manuals for download has revolutionized the way we access and consume knowledge. With just a few clicks, individuals can explore a vast collection of resources across different disciplines, all free of charge. This accessibility empowers individuals to become lifelong learners, contributing to personal growth, professional development, and the advancement of society as a whole. So why not unlock a world of knowledge today? Start exploring the vast sea of free PDF books and manuals waiting to be discovered right at your fingertips.

FAQs About User Manual For Janome Sewist 509 Books

1. Where can I buy User Manual For Janome Sewist 509 books? Bookstores: Physical bookstores like Barnes & Noble, Waterstones, and independent local stores. Online Retailers: Amazon, Book Depository, and various online bookstores offer a wide range of books in physical and digital formats.
2. What are the different book formats available? Hardcover: Sturdy and durable, usually more expensive. Paperback: Cheaper, lighter, and more portable than hardcovers. E-books: Digital books available for e-readers like Kindle or software like Apple Books, Kindle, and Google Play Books.
3. How do I choose a User Manual For Janome Sewist 509 book to read? Genres: Consider the genre you enjoy (fiction, non-fiction, mystery, sci-fi, etc.). Recommendations: Ask friends, join book clubs, or explore online reviews and recommendations. Author: If you like a particular author, you might enjoy more of their work.
4. How do I take care of User Manual For Janome Sewist 509 books? Storage: Keep them away from direct sunlight and in a dry environment. Handling: Avoid folding pages, use bookmarks, and handle them with clean hands. Cleaning: Gently dust the covers and pages occasionally.
5. Can I borrow books without buying them? Public Libraries: Local libraries offer a wide range of books for borrowing. Book Swaps: Community book exchanges or online platforms where people exchange books.

6. How can I track my reading progress or manage my book collection? Book Tracking Apps: Goodreads, LibraryThing, and Book Catalogue are popular apps for tracking your reading progress and managing book collections. Spreadsheets: You can create your own spreadsheet to track books read, ratings, and other details.
7. What are User Manual For Janome Sewist 509 audiobooks, and where can I find them? Audiobooks: Audio recordings of books, perfect for listening while commuting or multitasking. Platforms: Audible, LibriVox, and Google Play Books offer a wide selection of audiobooks.
8. How do I support authors or the book industry? Buy Books: Purchase books from authors or independent bookstores. Reviews: Leave reviews on platforms like Goodreads or Amazon. Promotion: Share your favorite books on social media or recommend them to friends.
9. Are there book clubs or reading communities I can join? Local Clubs: Check for local book clubs in libraries or community centers. Online Communities: Platforms like Goodreads have virtual book clubs and discussion groups.
10. Can I read User Manual For Janome Sewist 509 books for free? Public Domain Books: Many classic books are available for free as they're in the public domain. Free E-books: Some websites offer free e-books legally, like Project Gutenberg or Open Library.

Find User Manual For Janome Sewist 509 :

xtreme paper 0580 43 m j 41

[xcel cmm machine manual](#)

~~[xc70 2002 service manual](#)~~

xerox 7500dnz printers owners manual

[xtreme paper maths paper4024 1 june 2013](#)

[xerox monitor owners manual](#)

xlx 750 manual repair

xtreme papers maths 9709

[xerox workcentre 7345 error code manual](#)

~~[xsara picasso service manual](#)~~

xerox 5865 service manual

xtremepapers economics ms on 9741 o n 13

~~[xbox live instruction manual](#)~~

xchallenge repair manual
[xt 660 service manual](#)

User Manual For Janome Sewist 509 :

science 20 assignment booklet b1 answer key full pdf - Jun 07 2022

web oct 21 2023 science 20 assignment booklet b1 answer key reviewing science 20 assignment booklet b1 answer key unlocking the spellbinding force of linguistics in a fast paced world fueled by information and interconnectivity the spellbinding force of linguistics has acquired newfound prominence its capacity to evoke emotions stimulate

pdf science 20 assignment booklet b1 answers - Jan 14 2023

web science 20 assignment booklet b1 answers handbook of item response theory volume two jan 31 2022 drawing on the work of internationally acclaimed experts in the field handbook of item response theory volume two statistical tools presents classical and modern statistical tools used in item response theory irt while irt heavily

download solutions science 20 assignment booklet b1 answer key - Mar 16 2023

web science 20 assignment booklet b1 answer key ebook how to improve your assignment results dec 28 2020 are you puzzled by tutor comments on your assignments do you want to improve your grades but aren t sure how do you want help but don t know where to go or who to ask if so then this book will save the day it will

science 20 assignment booklet b1 answer key pdf uniport edu - Oct 11 2022

web may 29 2023 right here we have countless book science 20 assignment booklet b1 answer key and collections to check out we additionally pay for variant types and along with type of the books to browse

[science 20 assignment let b1 answer key download only](#) - May 18 2023

web getting this info acquire the science 20 assignment let b1 answer key belong to that we provide here and check out the link you could purchase guide science 20 assignment let b1 answer key or get it as soon as feasible you could speedily download this science 20 assignment let b1 answer key after getting deal so as soon as you require the

solved science 20 unit b 1 assignment booklet b2 assignment - Jun 19 2023

web question science 20 unit b 1 assignment booklet b2 assignment booklet b2 science 20 unit b chapter 2 assignment this assignment booklet is worth 36 marks out of the total 104 marks for the assignments in unit b

science 20 assignment booklet b1 answer key 2 go4rent - Aug 09 2022

web science 20 assignment booklet b1 answer key downloaded from 2 go4rent com by guest schmitt lilian management science cambridge university press this volume contains the proceedings of the fourth international conference on rewriting techniques and applications rta 91 held in como italy april 10 12 1991 the volume includes 40

[p4 2020 science papers sgexams com](#) - Mar 04 2022

web [p4 2020 science papers ca1 nanhua ca1 exam paper nanyang ca1 exam paper sa1 chij st nicholas girls sa1 exam paper raffles girls sa1 exam paper rosyth sa1 exam paper tao nan sa1 exam paper](#)

ebook science 20 assignment booklet b1 answers - Feb 15 2023

web [science 20 assignment booklet b1 answers chemistry teacher guide jul 28 2021](#) this book was created to help teachers as they instruct students through the master s class chemistry course by master books the teacher is one who guides students through the subject matter helps each student stay on schedule and be organized and is their

download solutions answers assignment booklet b1 science 20 - Apr 17 2023

web [answers assignment booklet b1 science 20 linking assignments to assessments mar 10 2021](#) linking assignments to assessments is designed for teachers in training in tesol programs future prek 12 teachers and practicing instructors who need to integrate assessment into classrooms educators seeking fair and accessible

read free science 20 assignment booklet b1 answers - May 06 2022

web [complex health scenarios in depth answer key at the back of the book that provides not only the correct answer but also a detailed rationale and an indication of the focus of the question whether prioritization delegation supervision or patient assignment](#)

science 20 unit b assignment booklet b2 - Jul 08 2022

web [science 20 unit b chapter 2 assignment this assignment booklet is worth 36 marks out of the total 104 marks for the assignments in unit b the value of each assignment and each question is stated in the left margin read all parts of your assignment carefully and record your answers in the appropriate places if you have](#)

science 20 unit b assignment booklet b1 moodlehub ca - Oct 23 2023

web [assignment booklet b1 science 20 unit b chapter 1 assignment this assignment booklet is worth 68 marks out of the total 104 marks for the assignments in unit b the value of each assignment and each question is stated in the left margin read all parts of your assignment carefully and record your answers in the appropriate](#)

science 20 assignment booklet b1 answer key secure4 khronos - Sep 10 2022

web [digital records of this science 20 assignment booklet b1 answer key by online if you ally practice such a referred science 20 assignment booklet b1 answer key books that will find the money for you worth fetch the definitely best seller from us at presentfrom various selected authors you have remained in right site to begin getting this facts](#)

science 20 assignment booklet b1 answer key - Aug 21 2023

web [we reimburse for science 20 assignment booklet b1 answer key and abundant books assortments from fictions to scientific researchh in any way why dont you seek to get essential element in the onset](#)

assignment b1 docx b1 assignment of unit b chapter 1 science 20 - Sep 22 2023

web b1 assignment of unit b chapter 1 science 20 unit b chapter 1 describing motion marks 43 please do questions 2 4 6 8 10 12 14 16 18 and 20 type your answer into the given square 2 list four quantities that are
science 20 assignment booklet b1 answer key pdf uniport edu - Apr 05 2022

web jun 26 2023 science 20 assignment booklet b1 answer key 1 11 downloaded from uniport edu ng on june 26 2023 by guest science 20 assignment booklet b1 answer key if you ally infatuation such a referred science 20 assignment booklet b1 answer key ebook that will pay for you worth get the enormously best seller from us currently from

science 20 assignment booklet b1 answer key 2022 - Nov 12 2022

web science 20 assignment booklet b1 answer key 5 5 offered on the book s web site ctet paper 2 science mathematics 12 solved 15 practice sets class 6 8 teachers 6th edition disha publications biopharmaceuticals are derived from biological sources either live organisms or their active components nowadays they are mainly produced by
assignment booklet b1 online doc science 30 unit b 1 - Dec 13 2022

web be sure to proofread your answers carefully before submitting your assignment booklet 100 marks chapter 1 assignment acid deposition for questions 1 and 2 read each question carefully decide which of the choices best completes the statement or answers the question place your answer in the blank space given 1 mark 1

science 20 assignment booklet b1 answer key pdf john d roberts book - Jul 20 2023

web apr 21 2023 line pronouncement science 20 assignment booklet b1 answer key pdf as without difficulty as evaluation them wherever you are now helping your students with homework nancy paulu 1998
paperdinastia le origini del mito by carl barks disney literal - Jan 08 2023

web per la prima volta con la collana paperdinastia i capolavori di carl barks sono raccolti in maniera organica e completa le storie del grandissimo autore americano

paperdinastia le origini del mito formato kindle amazon it - Jul 14 2023

web questo primo volume della collana paperdinastia inaugura gli anni cinquanta il momento di massima produttività di carl barks e presenta tra le altre la storia paperino

[le origini del mito i capolavori di carl barks paperdinastia le](#) - Apr 11 2023

web descrizione la nuova collana a fumetti dedicata ai capolavori del grande maestro carl barks le sue più belle storie ricche di umorismo e avventura con protagonista la

le origini del mito i capolavori di carl barks paperdinastia le - May 12 2023

web sep 7 2021 le origini del mito i capolavori di carl barks paperdinastia le più belle storie di sempre è un ebook di barks carl disney pubblicato da disney libri nella

le origini del mito i capolavori di carl barks paperdinastia le - Mar 10 2023

web le origini del mito i capolavori di carl barks paperdinastia le più belle storie di sempre amazon com tr kitap
paperdinastia le origini del mito kobo com - Dec 07 2022

web le premesse è evidente sono già ottime ma se si trattasse solo di questo si tratterebbe di un opera piacevole ed
intrigante niente di più invece no nel 2000 avevo dieci anni

pdf paperdinastia le origini del mito i capolavori di - Aug 15 2023

web paperdinastia le origini del mito i capolavori di i capolavori di eduardo nov 26 2020 i capolavori di panorama mar 23
2023 i capolavori di emilio de marchi aug 16 2022 k i capolavori di franz kafka jan 17 2020 i capolavori di dresda pinocoteca
maestri

paperdinastia le origini del mito i capolavori di carl barks vol - Apr 30 2022

web le origini del mito i capolavori di carl barks paperdinastia le più belle storie di sempre amazon de bücher

free paperdinastia le origini del mito i capolavori di - Jul 02 2022

web le origini del mito i capolavori di carl barks paperdinastia le più belle storie di sempre amazon es libros

paperdinastia le origini del mito by carl barks - Jun 13 2023

web le origini del mito i capolavori di carl barks paperdinastia le più belle storie di sempre amazon it libri

paperdinastia amazon it libri - Nov 06 2022

web le origini del mito i capolavori di carl barks paperdinastia le più belle storie di sempre amazon com au books

paperdinastia le origini del mito italian edition kindle edition - Sep 04 2022

web la nuova collana a fumetti dedicata ai capolavori del grande maestro carl barks le sue più belle storie ricche di umorismo
e avventura con protagonista la famiglia dei paperi

le origini del mito i capolavori di carl barks paperdinastia le - Jun 01 2022

web paperdinastia le origini del mito i capolavori di carl barks vol 1 luglio 2018 italianoo pdf cbr 196 pagine 200 mb new
editing completo la nuova collana a

le origini del mito i capolavori di carl barks paperdinastia le - Oct 05 2022

web jul 11 2018 buy paperdinastia le origini del mito italian edition read kindle store reviews amazon com

paperdinastia le origini del mito i capolavori di carl barks vol 1 - Jan 28 2022

web alle volte sistemando le proprie cose in cantina può succedere che si ritrovi qualcosa che si era dimenticato di possedere
È quanto mi è capitato quando mi son trovato tra le

paperdinastia la grande storia dei paperi più famosi del mondo - Dec 27 2021

web jun 13 2023 paperdinastia le origini del mito i capolavori di carl barks vol 1 by barks carl disney glorie e sconfitte i

capolavori di carl barks paperdinastia le origini

paperdinastia le origini del mito i capolavori di pdf uniport edu - Sep 23 2021

le origini del mito i capolavori di carl barks paperdinastia le - Mar 30 2022

web find books like paperdinastia le origini del mito i capolavori di carl barks vol 1 from the world s largest community of readers goodreads members w

le origini del mito i capolavori di carl barks paperdinastia le - Feb 09 2023

web per la prima volta con la collana paperdinastia i capolavori di carl barks sono raccolti in maniera organica e completa le storie del grandissimo autore americano

paperdinastia le origini del mito i capolavori di carl barks vol 1 - Nov 25 2021

web le storie del grandissimo autore americano universalmente conosciuto come l uomo dei paperi sono qui presentate in ordine cronologico seguendo quello che è stato il flusso

paperdinastia 001 le origini del mito popstore - Aug 03 2022

web dei suoi grandi capolavori l analisi dell opera pittorica la comprensione del dettaglio della sua tecnica compositiva sono infatti una chiave fondamentale per comprendere la

books similar to paperdinastia le origini del mito i capolavori di - Feb 26 2022

web jun 20 2023 read the paperdinastia le origini del mito i capolavori di carl barks vol 1 by barks carl disney join that we have the capital for here and check out the link you

paperdinastia le origini del mito i capolavori di pdf full pdf - Oct 25 2021

web mar 16 2023 paperdinastia le origini del mito i capolavori di 2 7 downloaded from uniport edu ng on march 16 2023 by guest donald duck walt disney productions 1978

discovery activities for basic algebra ii answers pdf pdf pod - Oct 30 2021

web questions as well as detailed explanations of each answer this math workbook is filled with exercises and worksheets covering fundamental math arithmetic algebra geometry

discovery activities for basic algebra ii answers pdf - Jun 18 2023

web apr 8 2023 discovery activities for basic algebra ii answers 1 9 downloaded from uniport edu ng on april 8 2023 by guest discovery activities for basic algebra ii

discovery activities for basic algebra ii answers pdf - Jul 19 2023

web merely said the discovery activities for basic algebra ii answers is universally compatible with any devices to read discovery activities for basic algebra ii

discovery activities for basic algebra ii answers uniport edu - Feb 02 2022

web right here we have countless book discovery activities for basic algebra ii answers and collections to check out we additionally pay for variant types and also type of the books

discovery activities for basic algebra ii answers copy uniport edu - Dec 12 2022

web may 2 2023 discovery activities for basic algebra ii answers 1 9 downloaded from uniport edu ng on may 2 2023 by guest discovery activities for basic algebra ii

discovery activities for basic algebra ii paperzz com - Sep 21 2023

web each activity presents a problem situation and then guides you through the problem solving process to gain experience in applying the skills and ideas presented in basic algebra

discovering advanced algebra an investigative approach - Jun 06 2022

web find step by step solutions and answers to discovering advanced algebra an investigative approach 9781559539845 as well as thousands of textbooks so you can

discovery activities for basic algebra ii answers - Apr 04 2022

web discovery activities for basic algebra ii answers september 25th 2011 allan rossman s 4th edition of workshop statistics discovery with data is enhanced from

discovery activities for basic algebra ii answers reza nazari - Aug 20 2023

web discovery activities for basic algebra ii answers 2 downloaded from rjonline org on 2021 03 11 by guest achieve a passing score on the ssat middle level test this

discovery activities for basic algebra ii answers download only - Nov 11 2022

web install the discovery activities for basic algebra ii answers it is totally easy then since currently we extend the link to purchase and make bargains to download and install

discovery activities for basic algebra ii answers - Nov 30 2021

web represents extensive exercises math problems sample common core questions and quizzes with answers and detailed solutions to help you hone your math skills

discovery activities for basic algebra ii answers - Jan 13 2023

web discovery activities for basic algebra ii answers educational materials technologies assessments and related services across the secondary curriculum welcome to the

discovery activities for algebra 2 - Sep 09 2022

web jun 6 2017 discovery activities for algebra 2 posts download within mutiny audio cd get link facebook twitter pinterest the hydraulics manual includes hydraulic

discovery activities for basic algebra ii answers uniport edu - Jan 01 2022

web jun 6 2023 this discovery activities for basic algebra ii answers as one of the most practicing sellers here will unquestionably be among the best options to review

discovery activities for basic algebra ii answers pdf - Aug 08 2022

web discovery activities for basic algebra ii answers do unto others aug 02 2021 do not do to others that which would anger you if others did it to you socrates the greek

algebra 2 math khan academy - Apr 16 2023

web the algebra 2 course often taught in the 11th grade covers polynomials complex numbers rational exponents exponential and logarithmic functions trigonometric

discovery activities for basic algebra ii answers - Mar 15 2023

web includes let s review regents algebra ii in addition to the regents exams and answers algebra ii book regents exams and answers algebra ii revised edition feb 20

pdf discovery activity for basic algebra 2 answers download - Jul 07 2022

web sep 8 2023 pdf discovery activity for basic algebra 2 answers download free place value activity with numbers movement based learning addition and subtraction

discovery activities for basic algebra ii answers copy uniport edu - May 05 2022

web may 24 2023 you could purchase lead discovery activities for basic algebra ii answers or acquire it as soon as feasible you could quickly download this discovery activities

algebra ii help varsity tutors - May 17 2023

web varsity tutors free algebra ii help can be particularly useful when employed alongside our other free algebra ii resources including practice tests diagnostic tests and flashcards

helping students discover more math with discovery labs - Oct 10 2022

web jan 11 2016 check out these posts for more discovery math goodness teaching systems of equations with discovery labs teaching area and circumference of circles

discovery activities for basic algebra ii answers las gnome - Feb 14 2023

web discovery activities for basic algebra ii answers 1 1 downloaded from las gnome org on december 18 2022 by guest discovery activities for basic algebra ii answers

discovery activities for basic algebra ii answers pdf uniport edu - Mar 03 2022

web apr 27 2023 each of math exercises is answered in the book and we have provided explanation of the answers for the two full length clep college algebra practice tests

