

Panel Switch Terminal Layout

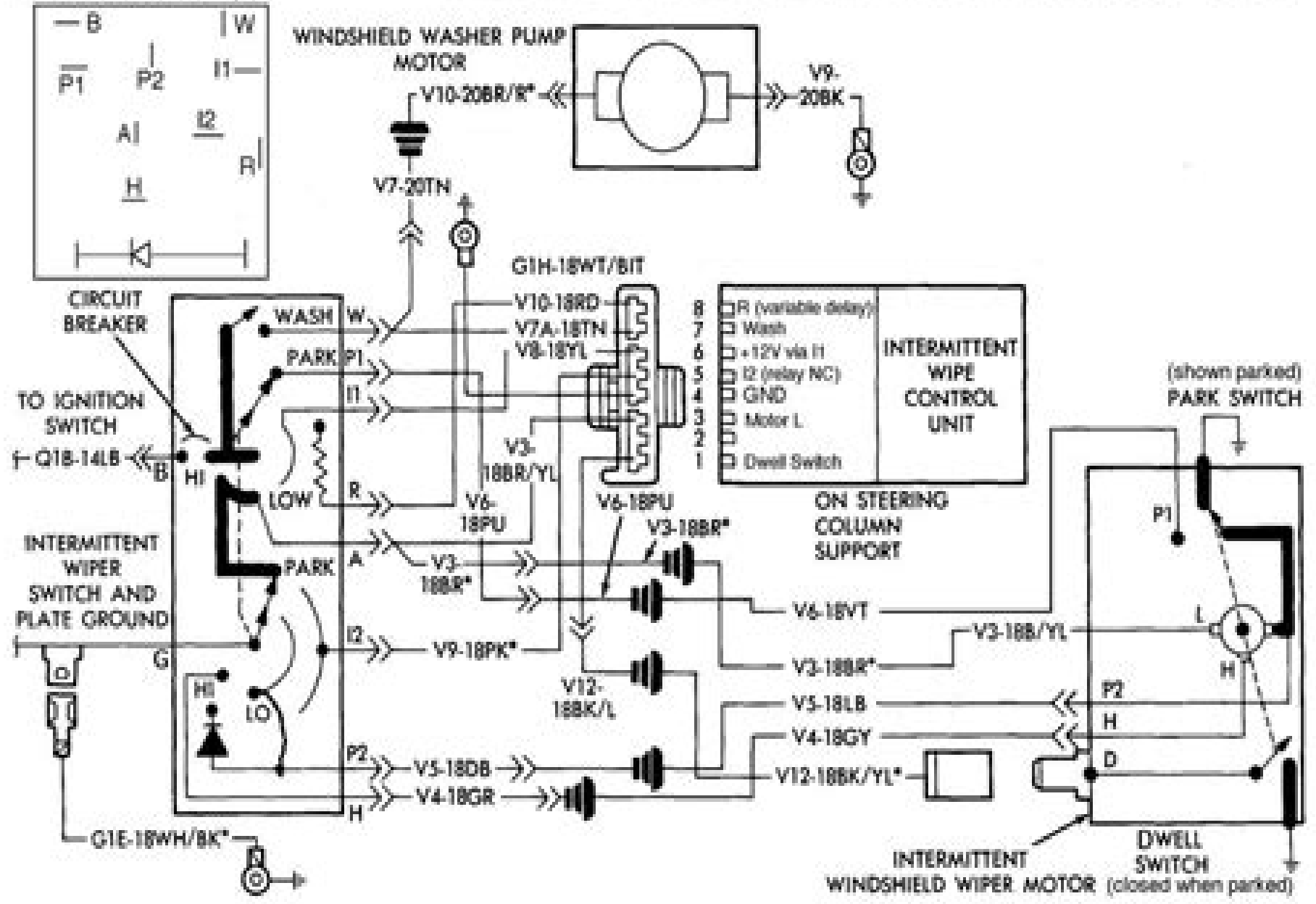
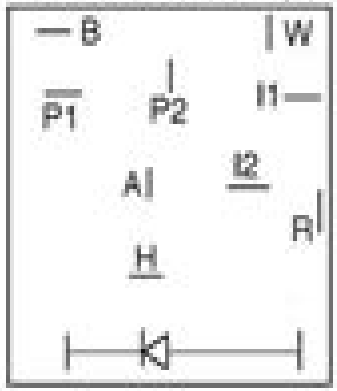


Fig. 25—Intermittent Wipe Wiring Schematic

Wiring Diagram Wiper Motor

WJ Hussar



Wiring Diagram Wiper Motor:

Getting the books **Wiring Diagram Wiper Motor** now is not type of challenging means. You could not on your own going subsequent to book accretion or library or borrowing from your connections to gate them. This is an very easy means to specifically get lead by on-line. This online statement Wiring Diagram Wiper Motor can be one of the options to accompany you when having new time.

It will not waste your time. agree to me, the e-book will unquestionably spread you further concern to read. Just invest tiny mature to door this on-line broadcast **Wiring Diagram Wiper Motor** as with ease as review them wherever you are now.

<https://movement.livewellcolorado.org/results/book-search/fetch.php/tales%20for%20demented%20perverts%20english%20edition.pdf>

Table of Contents Wiring Diagram Wiper Motor

1. Understanding the eBook Wiring Diagram Wiper Motor
 - The Rise of Digital Reading Wiring Diagram Wiper Motor
 - Advantages of eBooks Over Traditional Books
2. Identifying Wiring Diagram Wiper Motor
 - Exploring Different Genres
 - Considering Fiction vs. Non-Fiction
 - Determining Your Reading Goals
3. Choosing the Right eBook Platform
 - Popular eBook Platforms
 - Features to Look for in an Wiring Diagram Wiper Motor
 - User-Friendly Interface
4. Exploring eBook Recommendations from Wiring Diagram Wiper Motor
 - Personalized Recommendations
 - Wiring Diagram Wiper Motor User Reviews and Ratings
 - Wiring Diagram Wiper Motor and Bestseller Lists

5. Accessing Wiring Diagram Wiper Motor Free and Paid eBooks
 - Wiring Diagram Wiper Motor Public Domain eBooks
 - Wiring Diagram Wiper Motor eBook Subscription Services
 - Wiring Diagram Wiper Motor Budget-Friendly Options
6. Navigating Wiring Diagram Wiper Motor eBook Formats
 - ePub, PDF, MOBI, and More
 - Wiring Diagram Wiper Motor Compatibility with Devices
 - Wiring Diagram Wiper Motor Enhanced eBook Features
7. Enhancing Your Reading Experience
 - Adjustable Fonts and Text Sizes of Wiring Diagram Wiper Motor
 - Highlighting and Note-Taking Wiring Diagram Wiper Motor
 - Interactive Elements Wiring Diagram Wiper Motor
8. Staying Engaged with Wiring Diagram Wiper Motor
 - Joining Online Reading Communities
 - Participating in Virtual Book Clubs
 - Following Authors and Publishers Wiring Diagram Wiper Motor
9. Balancing eBooks and Physical Books Wiring Diagram Wiper Motor
 - Benefits of a Digital Library
 - Creating a Diverse Reading Collection Wiring Diagram Wiper Motor
10. Overcoming Reading Challenges
 - Dealing with Digital Eye Strain
 - Minimizing Distractions
 - Managing Screen Time
11. Cultivating a Reading Routine Wiring Diagram Wiper Motor
 - Setting Reading Goals Wiring Diagram Wiper Motor
 - Carving Out Dedicated Reading Time
12. Sourcing Reliable Information of Wiring Diagram Wiper Motor
 - Fact-Checking eBook Content of Wiring Diagram Wiper Motor
 - Distinguishing Credible Sources
13. Promoting Lifelong Learning

- Utilizing eBooks for Skill Development
 - Exploring Educational eBooks
14. Embracing eBook Trends
- Integration of Multimedia Elements
 - Interactive and Gamified eBooks

Wiring Diagram Wiper Motor Introduction

In today's digital age, the availability of Wiring Diagram Wiper Motor books and manuals for download has revolutionized the way we access information. Gone are the days of physically flipping through pages and carrying heavy textbooks or manuals. With just a few clicks, we can now access a wealth of knowledge from the comfort of our own homes or on the go. This article will explore the advantages of Wiring Diagram Wiper Motor books and manuals for download, along with some popular platforms that offer these resources. One of the significant advantages of Wiring Diagram Wiper Motor books and manuals for download is the cost-saving aspect. Traditional books and manuals can be costly, especially if you need to purchase several of them for educational or professional purposes. By accessing Wiring Diagram Wiper Motor versions, you eliminate the need to spend money on physical copies. This not only saves you money but also reduces the environmental impact associated with book production and transportation. Furthermore, Wiring Diagram Wiper Motor books and manuals for download are incredibly convenient. With just a computer or smartphone and an internet connection, you can access a vast library of resources on any subject imaginable. Whether you're a student looking for textbooks, a professional seeking industry-specific manuals, or someone interested in self-improvement, these digital resources provide an efficient and accessible means of acquiring knowledge. Moreover, PDF books and manuals offer a range of benefits compared to other digital formats. PDF files are designed to retain their formatting regardless of the device used to open them. This ensures that the content appears exactly as intended by the author, with no loss of formatting or missing graphics. Additionally, PDF files can be easily annotated, bookmarked, and searched for specific terms, making them highly practical for studying or referencing. When it comes to accessing Wiring Diagram Wiper Motor books and manuals, several platforms offer an extensive collection of resources. One such platform is Project Gutenberg, a nonprofit organization that provides over 60,000 free eBooks. These books are primarily in the public domain, meaning they can be freely distributed and downloaded. Project Gutenberg offers a wide range of classic literature, making it an excellent resource for literature enthusiasts. Another popular platform for Wiring Diagram Wiper Motor books and manuals is Open Library. Open Library is an initiative of the Internet Archive, a non-profit organization dedicated to digitizing cultural artifacts and making them accessible to the public. Open Library hosts millions of books, including both public domain works and contemporary titles. It also allows users to

borrow digital copies of certain books for a limited period, similar to a library lending system. Additionally, many universities and educational institutions have their own digital libraries that provide free access to PDF books and manuals. These libraries often offer academic texts, research papers, and technical manuals, making them invaluable resources for students and researchers. Some notable examples include MIT OpenCourseWare, which offers free access to course materials from the Massachusetts Institute of Technology, and the Digital Public Library of America, which provides a vast collection of digitized books and historical documents. In conclusion, Wiring Diagram Wiper Motor books and manuals for download have transformed the way we access information. They provide a cost-effective and convenient means of acquiring knowledge, offering the ability to access a vast library of resources at our fingertips. With platforms like Project Gutenberg, Open Library, and various digital libraries offered by educational institutions, we have access to an ever-expanding collection of books and manuals. Whether for educational, professional, or personal purposes, these digital resources serve as valuable tools for continuous learning and self-improvement. So why not take advantage of the vast world of Wiring Diagram Wiper Motor books and manuals for download and embark on your journey of knowledge?

FAQs About Wiring Diagram Wiper Motor Books

What is a Wiring Diagram Wiper Motor PDF? A PDF (Portable Document Format) is a file format developed by Adobe that preserves the layout and formatting of a document, regardless of the software, hardware, or operating system used to view or print it. **How do I create a Wiring Diagram Wiper Motor PDF?** There are several ways to create a PDF: Use software like Adobe Acrobat, Microsoft Word, or Google Docs, which often have built-in PDF creation tools. Print to PDF: Many applications and operating systems have a "Print to PDF" option that allows you to save a document as a PDF file instead of printing it on paper. Online converters: There are various online tools that can convert different file types to PDF. **How do I edit a Wiring Diagram Wiper Motor PDF?** Editing a PDF can be done with software like Adobe Acrobat, which allows direct editing of text, images, and other elements within the PDF. Some free tools, like PDFescape or Smallpdf, also offer basic editing capabilities. **How do I convert a Wiring Diagram Wiper Motor PDF to another file format?** There are multiple ways to convert a PDF to another format: Use online converters like Smallpdf, Zamzar, or Adobe Acrobat's export feature to convert PDFs to formats like Word, Excel, JPEG, etc. Software like Adobe Acrobat, Microsoft Word, or other PDF editors may have options to export or save PDFs in different formats. **How do I password-protect a Wiring Diagram Wiper Motor PDF?** Most PDF editing software allows you to add password protection. In Adobe Acrobat, for instance, you can go to "File" -> "Properties" -> "Security" to set a password to restrict access or editing capabilities. Are there any free alternatives to Adobe Acrobat for working with PDFs? Yes, there are many free alternatives for working with PDFs, such as:

LibreOffice: Offers PDF editing features. PDFsam: Allows splitting, merging, and editing PDFs. Foxit Reader: Provides basic PDF viewing and editing capabilities. How do I compress a PDF file? You can use online tools like Smallpdf, ILovePDF, or desktop software like Adobe Acrobat to compress PDF files without significant quality loss. Compression reduces the file size, making it easier to share and download. Can I fill out forms in a PDF file? Yes, most PDF viewers/editors like Adobe Acrobat, Preview (on Mac), or various online tools allow you to fill out forms in PDF files by selecting text fields and entering information. Are there any restrictions when working with PDFs? Some PDFs might have restrictions set by their creator, such as password protection, editing restrictions, or print restrictions. Breaking these restrictions might require specific software or tools, which may or may not be legal depending on the circumstances and local laws.

Find Wiring Diagram Wiper Motor :

[tales for demented perverts english edition](#)

[tattoo machine wiring diagram](#)

[tales of pleasure and pain english edition](#)

[takeuchi tb28fr compact excavator service repair factory manual instant](#)

[tallahassee beancounters investigation case solution](#)

[tarrant voters guide](#)

[tally erp9 manual](#)

[tamiya mad fighter dt 01 manual](#)

tarascon hospital medicine pocketbook

[taught he owns me book english edition](#)

target publication 12 sc notes physics

taru sormusten herrasta kirja

tangerine study guide questions

taming the unpredictable

tangled affections new beginnings book english edition

Wiring Diagram Wiper Motor :

[android programming the big nerd ranch guide - Sep 13 2022](#)

web apr 1 2013 [android programming the big nerd ranch guide big nerd ranch it s been two years coming but the first](#)

edition of android programming the big nerd ranch guide is finally almost here brian and i got our hands on the first printed copies only a few days ago we were indecently excited nobody wet themselves but it was a near thing

[android programming the big nerd ranch guide pearson](#) - Apr 20 2023

web computer science programming introductory android programming android programming the big nerd ranch guide i m a student i m an educator android programming the big nerd ranch guide 5th edition published by addison wesley professional may 30 2022 2022 kristin marsicano

android programming the big nerd ranch guide third edition - Feb 18 2023

web android programming the big nerd ranch guide is an introductory android book for programmers with java experience based on big nerd ranch s popular android bootcamps this guide will lead you through the wilderness using hands on example apps combined with clear explanations of key concepts and apis

[android programming the big nerd ranch guide 5th edition](#) - May 09 2022

web may 18 2022 android programming the big nerd ranch guide is an introductory android book for programmers with kotlin experience based on big nerd ranch s popular android bootcamp this guide will lead you through the wilderness using hands on example apps combined with clear explanations of key concepts and apis

swift programming the big nerd ranch guide big nerd ranch guides - Apr 08 2022

web dec 15 2015 computers technology programming buy new 7 90 list price 39 99 save 32 09 80 3 99 delivery november 1 2 details select delivery location only 2 left in stock order soon qty 1 buy now payment secure transaction ships from greenicemedia sold by greenicemedia returns

android programming the big nerd ranch guide 4th edition - Feb 06 2022

web android programming the big nerd ranch guide is an introductory android book for programmers with java experience based on big nerd ranch s popular android bootcamp this guide will

now available react programming the big nerd ranch guide - Mar 07 2022

web may 2 2023 now available react programming the big nerd ranch guide big nerd ranch based on our react essentials course this book uses hands on examples to guide you step by step through building a starter app and a complete production ready app both crafted to help you quickly leverage react s remarkable power

[android programming the big nerd ranch guide 5th edition](#) - Jul 23 2023

web android programming the big nerd ranch guide is an introductory android book for programmers with kotlin experience based on big nerd ranch s popular android bootcamp this guide will lead you through the wilderness using hands on example apps combined with clear explanations of key concepts and apis

swift programming the big nerd ranch guide pearson - May 21 2023

web swift programming the big nerd ranch guide 3rd edition published by big nerd ranch guides january 13 2022 2021 matthew mathias john gallagher mikey ward best value etextbook mo 35 99 pearson subscription mo month term pay monthly or pay instant access isbn 13 9780137570515 swift programming the big nerd

android programming the big nerd ranch guide guide books - Jul 11 2022

web android programming the big nerd ranch guide is an introductory android book for programmers with java experience based on big nerd ranchs popular android bootcamp course this guide will lead you through the wilderness using hands on example apps combined with clear explanations of key concepts and apis

coming soon android programming the big nerd ranch guide - Nov 15 2022

web apr 20 2022 the last edition of android programming the big nerd ranch guide was released in october 2019 a lot has changed since then to help you develop the skills to create new android apps and maintain existing ones we re excited to announce the fifth edition of our popular guide to android programming

android programming the big nerd ranch guide big nerd ranch guides - Jun 22 2023

web oct 25 2019 android programming the big nerd ranch guide is an introductory android book for programmers with kotlin experience based on big nerd ranch s popular android bootcamp this guide will lead you through the wilderness using hands on example apps combined with clear explanations of key concepts and apis

android programming the big nerd ranch guide amazon com - Jun 10 2022

web aug 3 2015 android programming the big nerd ranch guide is an introductory android book for programmers with java experience based on big nerd ranch s popular android bootcamp course this guide will lead you through the wilderness using hands on example apps combined with clear explanations of key concepts and apis

swift programming the big nerd ranch guide 3rd edition - Mar 19 2023

web write flexible code and functional programming with protocols extensions and generics based on big nerd ranch s popular swift programming language training and its well tested materials and methodology this guide teaches concepts and coding through hands on exercises from experienced swift developers

books big nerd ranch - Sep 25 2023

web if you don t have a lot of programming experience you can begin with swift programming the big nerd ranch guide which introduces swift and basic programming principles once you re comfortable with swift you can move on to our ios guide where you ll learn how to develop ios apps using swift

now available swift programming the big nerd ranch guide - Aug 12 2022

web nov 3 2020 first name the swift programming language has been evolving at a staggering rate since its original announcement over six years ago we are proud to announce the 3rd edition of our swift programming book fully updated for

5th edition amazon com spend less smile more - Jan 17 2023

web android programming the big nerd ranch guide is an introductory android book for programmers with kotlin experience based on big nerd ranch s popular android bootcamp this guide will lead you through the wilderness using hands on example apps combined with clear explanations of key concepts and apis

kotlin programming the big nerd ranch guide 2nd edition - Dec 16 2022

web i getting started 1 your first kotlin application installing intellij idea your first kotlin project creating your first kotlin file running your kotlin file compilation and execution of kotlin jvm code the kotlin repl for the more curious why use intellij for the more curious targeting the jvm

android programming the big nerd ranch guide 5th edition - Aug 24 2023

web buy now android programming the big nerd ranch guide 5th edition is an introductory android book for programmers with kotlin experience based on big nerd ranch s popular android bootcamp this guide will lead you through the wilderness using hands on example apps combined with clear explanations of key concepts and apis

big nerd ranch book forums - Oct 14 2022

web forum for programming guides written by big nerd ranch big nerd ranch book forums category topics the big nerd ranch guide 9 objective c programming 2nd edition 8 advanced mac os x programming the big nerd ranch 6 big nerd ranch general discussions 252 uncategorized 120 site feedback

teaching resources animal welfare institute - Feb 25 2022

web animal shelter definition an establishment maintained by local government or supported by charitable contributions that provides a temporary home for dogs cats and other

animal shelter reflection essay 1063 words bartleby - Aug 14 2023

web imagine walking into an animal shelter seeing the dogs and cats locked up behind bars wanting to be adopted at an animal shelter homeless animals are continuously

reflection on animal shelter volunteering three - Jul 13 2023

web shelters reflect but cannot solve underlying problems with relinquished and stray animals a retrospective study of dogs and cats entering and leaving shelters in

[an observational study of the relationship between](#) - Feb 08 2023

web sep 9 2017 mangiamele like many animal control shelter veterans soon became annoyed by the use of the word rescue by people who pull the most attractive

[khs statistics kansas humane society animal shelter](#) - Jan 27 2022

web these animals use for shelter go for a walk and list animals you see or hear and identify what they use for shelter select

an animal to build a shelter for first investigate

shelters reflect but cannot solve underlying problems with - Jun 12 2023

web aug 2 2019 this past semester my service learning class worked with an organization called athenspets which is an organization that tries to keep animals out of the shelter

reflection animal shelters baylor university - Sep 15 2023

web it is a great way to protect the lives of our current pets and to protect the lives of innocent animals who are born into a life of distress due to unwanted or accidental births i do feel

management of tvr case in animal shelter and its reflection on cbc - Sep 03 2022

web animal shelter pet resource center ra da paw pets spa office aio pako street animal social life campus mert uslu architecture blacktown animal rehoming

animals free full text shelters reflect but cannot solve - Apr 10 2023

web apr 1 2022 this work aims to enumerate some of the most critical outstanding problems for research in animal sheltering in a conceptual framework which is intended to help

animal shelter reflection 1057 words 123 help me - May 31 2022

web jan 21 2022 the findings presented in this study are subject to several limitations firstly the data reflect a single animal shelter and research across multiple facilities is needed

service learning medium - May 11 2023

web oct 5 2019 sandøe p jensen j b h jensen f nielsen s s shelters reflect but cannot solve underlying problems with relinquished and stray animals a

stray a shelter veterinarian s reflection on triumph - Dec 06 2022

web jan 1 2023 shelters reflect but cannot solve underlying problems with relinquished and stray animals a retrospective study of dogs and cats entering and leaving

animal shelter archdaily - Jul 01 2022

web mar 28 2021 animal shelter redesign reflection photo by markus winkler unsplash over the past 2 weeks i worked on my first project for the ux design

animal shelter dream meaning understanding the symbolism - Oct 24 2021

animal shelter redesign reflection by yuna miyoshi medium - Apr 29 2022

web teaching resources awi offers publications at no cost to teachers libraries and animal shelters we have also produced children s activities and free classroom lesson plans

[animal shelter reflection my personal development plan](#) - Nov 05 2022

web may 1 2023 the shelter designed so that the patient would not be in contact with other animals and the risk of contamination was eliminated in this disease even animal

[adoption and relinquishment interventions at the animal shelter a](#) - Oct 04 2022

web 1010 words 4 pages open document essay sample check writing quality show more community service at awesome animal shelter volunteering at an animal shelter can

[animal shelter challenge tgr foundation](#) - Nov 24 2021

[animal shelter definition meaning dictionary com](#) - Dec 26 2021

web oct 13 2023 dreams about animal shelters may reflect the dreamer s fundamental need for protection and security in their own life it could signify that the dreamer is

[frontiers critical problems for research in animal sheltering a](#) - Mar 09 2023

web sep 1 2017 the optimal daily population in an animal shelter meets the health and welfare requirements of all animals while maintaining or improving on the shelter s

[awesome animal shelter reflection paper 1010 words cram](#) - Aug 02 2022

web animal shelter reflection 1057 words 3 pages there is a pedigree dog commercial i see on television which catches my eye and my heart it tells us to not pity a shelter animal

[the impact of returning a pet to the shelter on future animal](#) - Mar 29 2022

web the kansas humane society is a reflection of the community it serves our community is wonderful and with your support we are saving more animal lives every year khs took

animals free full text shelters reflect but cannot - Jan 07 2023

web dec 3 2012 animal shelter reflection december 3 2012 by elizabeth the what volunteering at the local animal shelter the why while this wasn t much of a stretch for

[the girls body book everything you need to know for gr](#) - May 12 2023

web just as boys headed straight to last season s the boy s body book for information and reassurance this companion volume is destined to become the go to guide for adolescent females fun to read and easy to carry it answers all the important questions about becoming a woman that girls are sometimes too embarrassed to ask

the girl s body book the revised and updated fifth edition - Feb 09 2023

web amazon com the girl s body book the revised and updated fifth edition everyday you need to know for a healthy happy you audible audio edition kelli dunham rn maris s mcfadden appleseed press book publishers books books children s books

growing up facts of life health maturing kindle 0 00 or 7 99 audiobook 0 00

the girl s body book everything you need to know for growing up you - Jul 02 2022

web the girl s body book everything you need to know for growing up you girlsworld dunham kelli amazon com au books

the girl s body book everything you need to know for growing up you - Aug 03 2022

web jan 1 2009 the girl s body book everything you need to know for growing up you dunham kelli on amazon com free shipping on qualifying offers the girl s body book everything you need to know for growing up you the girl s body book everything you need to know for growing up you dunham kelli 9781439587669

the girl s body book everything girls need to know for growing - Dec 07 2022

web may 30 2019 the girl s body book everything girls need to know for growing up puberty guide girl body changes health education book parenting topics social for growing up boys girls body books kelli dunham amazon co uk books children s books growing up facts of life family life buy new 8 09 rrp 9 99 details

the girl s body book everything girls need to know for growing - Jan 28 2022

web the girl s body book everything girls need to know for growing up puberty guide girl body changes health education book parenting topics social for growing up boys girls body books by kelli dunham at abebooks co uk isbn 10 1604338334 isbn 13 9781604338331 applesauce press 2019 softcover

the girls body book fifth edition kelli dunham google books - Jan 08 2023

web may 7 2019 the updated fifth edition of the 1 bestselling girl s body book includes everything you need to know about growing up even the embarrassing stuff from periods to peer pressure

the girl s body book everything you need to know for growing up you - Mar 30 2022

web big changes ahead in the beginning a quick intro to puberty taking care of business your changing body and all its bits the care and feeding of your body part two your health and your body changing you changing home the ever growing outside world school friends and feelings staying safe in the real and virtual worlds

the girl s body book fifth edition everything girls need to know - Jun 01 2022

web a guide to help preteen girls navigate the changes and challenges of puberty and growing up from periods to peer pressure puberty is hard this newly updated fifth edition helps prepare young girls and their parents for the ups and downs of puberty middle school and everything in between

the girls body book everything you need to know for growing up you - Feb 26 2022

web aug 6 2013 growing up isn t as easy as it looks with changing emotions friends expectations and bodies some days it can seem like life is one big roller coaster ride the girl s body book is

1439587663 the girl s body book everything you need to know - Dec 27 2021

web the girl s body book everything you need to know for growing up you find all books from kelli dunham at find more books com you can find used antique and new books compare results and immediately purchase your selection at

the girl s body book fifth edition everything girls need to know - Mar 10 2023

web may 7 2019 the 1 bestselling girl s body book includes everything you need to know about growing up even the embarrassing stuff the newly updated fifth edition provides advice for parents and addresses questions a pre teen girl may have while maturing through puberty

girl s body book everything you need to know for growing up you - Oct 05 2022

web mar 20 2014 girls body book fifth edition everything girls need to know for growing up puberty guide girl body changes health education book parenting for growing up boys girls body books 8 31 2 039 in stock

the girls body book third edition everything you need to know - Jun 13 2023

web jul 21 2015 the girls body book third edition everything you need to know for growing up you dunham kelli tallardy laura 9781604335750 amazon com books books

the girl s body book everything you need to know for growing up you - Apr 11 2023

web nov 1 2011 the girl s body book everything you need to know for growing up you girlsworld kindle edition by dunham kelli tallardy laura download it once and read it on your kindle device pc phones or tablets

the girls body book everything you need to know for growing up you - Jul 14 2023

web the girls body book everything you need to know for growing up you dunham kelli amazon com tr kitap

the girls body book third edition everything you need to know - Apr 30 2022

web topics covered include from hair care to high heels a head to toe guide to what s happening with your changing body dealing with your friends even when they don t want to deal with you and how to handle mean girls bullies and cyberbullies the care and keeping of parents teachers brothers and sisters finding out what

the girl s body book everything you need to know for a healthy - Nov 06 2022

web summary the updated fifth edition of the 1 bestselling girl s body book includes everything you need to know about growing up even the embarrassing stuff from periods to peer pressure puberty can be a confusing time for pre teens and parents alike

the girl s body book kirkus reviews - Sep 04 2022

web nov 14 2017 a growing up guide for preteen girls this puberty navigation guide covers girls bodily changes body care health relationships with family and friends staying safe and handling stress in many cases the author a registered nurse has covered the same material as she did in various editions of this title as well as the boy s body book

the girls body book everything you need to know for growing up you - Aug 15 2023

web jun 3 2008 from hygiene to exercise teachers to peer pressure everything s discussed here in a frank and friendly way
parents that drive you crazy boys who ve caught your eye best friends physical changes and menstruation schools and grades
body image and proper nutrition and moodiness and other emotional stuff