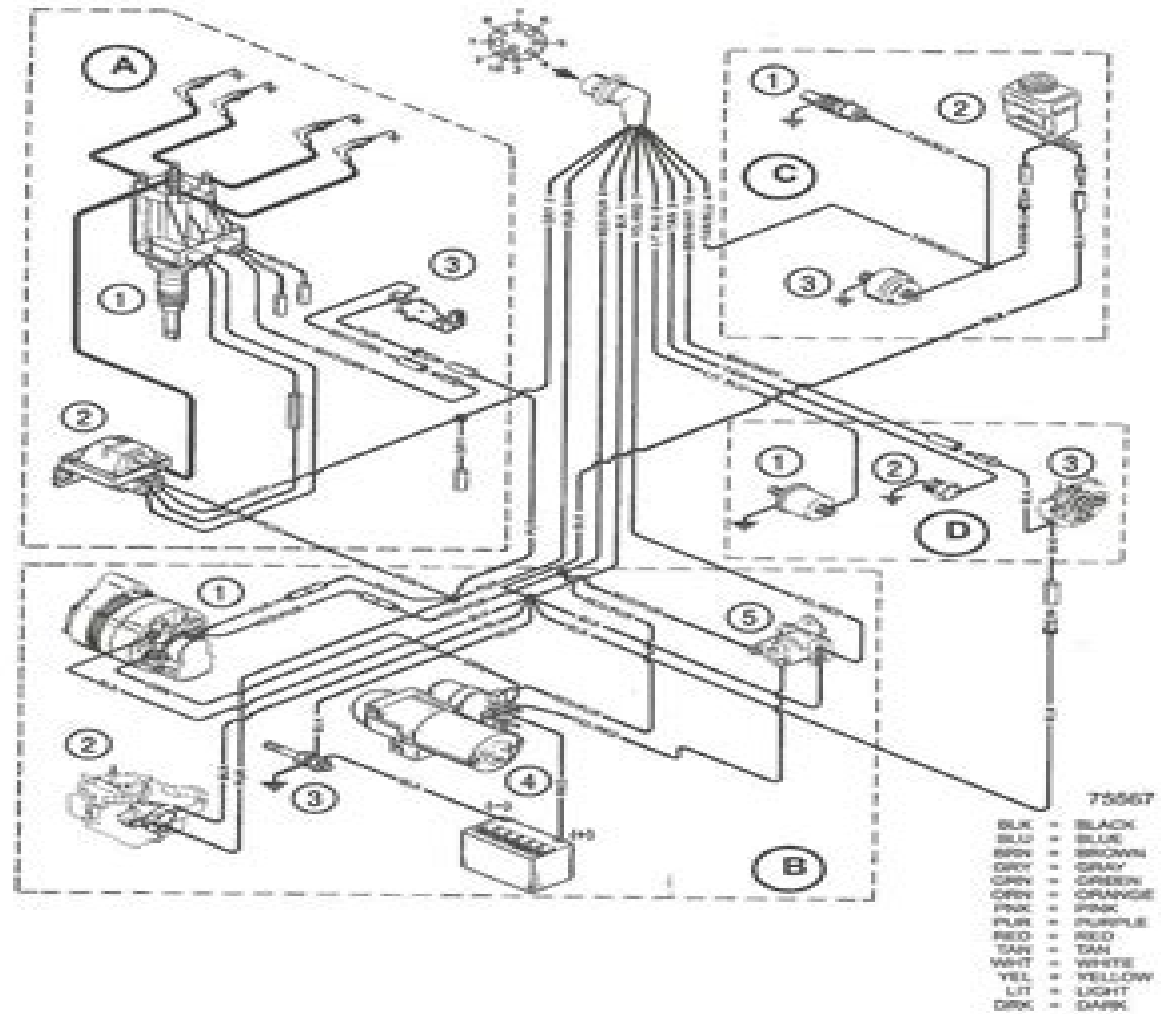


Wiring Diagrams

MCM 3.0L Gasoline Engine Wiring Diagrams

WITHOUT CIRCUIT BREAKER



Wiring Diagram Omc 5 0l

CH Cherryholmes



Wiring Diagram Omc 5 0l:

OMC Odisha Mining Corporation Ltd Jr. Engineer (Electrical) Exam Electrical Engineering Subject eBook Chandresh Agrawal, Nandini Books, 2025-04-18 SGN The OMC Odisha Mining Corporation Ltd Jr Engineer Electrical Exam Electrical Engineering Subject eBook Covers Practice Sets With Answers **Inboard Engines & Drives Service Manual: Oldsmobile, OMC, Peugeot, Universal, Volvo, Westerbeke and Yanmar gas and diesel engines ... with section on popular inboard drives**, 1984 Boating Magazine's Powerboater's Guide to Electrical Systems Edwin R. Sherman, 2000 Basic theory combined with a problem solution format that provides step by step directions for repairs and add ons Page 4 of cover **Perpetual Trouble Shooter's Manual** John Francis Rider, 1935 **Operator's, Organizational, DS, and GS Maintenance Manual**, 1991 The Ford Nuclear Reactor Michigan Memorial Phoenix Project, 1962 South African Electrical Review and Power Magazine, 1960 **Proceedings - American Gas Association** American Gas Association, 1955 **Technical Manual** United States. War Department, 1944 Popular Science, 1971-12 Popular Science gives our readers the information and tools to improve their technology and their world The core belief that Popular Science and our readers share The future is going to be better and science and technology are the driving forces that will help make it better Transactions of the American Institute of Electrical Engineers, 1959 OMC 99, Offshore Mediterranean Conference, 1999 **Radio Transmitters T-368/URT, T-368A/URT, T368B/URT, and T-368C/URT, and Antenna Tuning Unit BC-939-B Field and Depot Maintenance**, 1990 **Bibliography of Nautical Books** Alan Obin, 2000-02 This is the 15th annual edition of the Bibliography of Nautical Books a reference guide to over 14 000 nautical publications It deals specifically with the year 2000 Transactions of the American Institute of Electrical Engineers American Institute of Electrical Engineers, 1958 Index of current electrical literature Dec 1887 appended to v 5 Wireless World, 1982 Technical Data Book Raytheon Company, 1943 IRE Transactions on Electron Devices Institute of Radio Engineers. Professional Group on Electron Devices, 1961 Fluid Power Systems and Technology, 1999 **RCA Engineer**, 1964

The book delves into Wiring Diagram Omc 5 0l. Wiring Diagram Omc 5 0l is a crucial topic that needs to be grasped by everyone, ranging from students and scholars to the general public. The book will furnish comprehensive and in-depth insights into Wiring Diagram Omc 5 0l, encompassing both the fundamentals and more intricate discussions.

1. This book is structured into several chapters, namely:
 - Chapter 1: Introduction to Wiring Diagram Omc 5 0l
 - Chapter 2: Essential Elements of Wiring Diagram Omc 5 0l
 - Chapter 3: Wiring Diagram Omc 5 0l in Everyday Life
 - Chapter 4: Wiring Diagram Omc 5 0l in Specific Contexts
 - Chapter 5: Conclusion
2. In chapter 1, the author will provide an overview of Wiring Diagram Omc 5 0l. This chapter will explore what Wiring Diagram Omc 5 0l is, why Wiring Diagram Omc 5 0l is vital, and how to effectively learn about Wiring Diagram Omc 5 0l.
3. In chapter 2, this book will delve into the foundational concepts of Wiring Diagram Omc 5 0l. The second chapter will elucidate the essential principles that need to be understood to grasp Wiring Diagram Omc 5 0l in its entirety.
4. In chapter 3, the author will examine the practical applications of Wiring Diagram Omc 5 0l in daily life. This chapter will showcase real-world examples of how Wiring Diagram Omc 5 0l can be effectively utilized in everyday scenarios.
5. In chapter 4, the author will scrutinize the relevance of Wiring Diagram Omc 5 0l in specific contexts. This chapter will explore how Wiring Diagram Omc 5 0l is applied in specialized fields, such as education, business, and technology.
6. In chapter 5, this book will draw a conclusion about Wiring Diagram Omc 5 0l. This chapter will summarize the key points that have been discussed throughout the book.

The book is crafted in an easy-to-understand language and is complemented by engaging illustrations. This book is highly recommended for anyone seeking to gain a comprehensive understanding of Wiring Diagram Omc 5 0l.

<https://movement.livewellcolorado.org/book/book-search/index.jsp/uf%20chm%202046l%20lab%20manual%20answers.pdf>

Table of Contents Wiring Diagram Omc 5 0l

1. Understanding the eBook Wiring Diagram Omc 5 0l

- The Rise of Digital Reading Wiring Diagram Omc 5 0l
- Advantages of eBooks Over Traditional Books
- 2. Identifying Wiring Diagram Omc 5 0l
 - Exploring Different Genres
 - Considering Fiction vs. Non-Fiction
 - Determining Your Reading Goals
- 3. Choosing the Right eBook Platform
 - Popular eBook Platforms
 - Features to Look for in an Wiring Diagram Omc 5 0l
 - User-Friendly Interface
- 4. Exploring eBook Recommendations from Wiring Diagram Omc 5 0l
 - Personalized Recommendations
 - Wiring Diagram Omc 5 0l User Reviews and Ratings
 - Wiring Diagram Omc 5 0l and Bestseller Lists
- 5. Accessing Wiring Diagram Omc 5 0l Free and Paid eBooks
 - Wiring Diagram Omc 5 0l Public Domain eBooks
 - Wiring Diagram Omc 5 0l eBook Subscription Services
 - Wiring Diagram Omc 5 0l Budget-Friendly Options
- 6. Navigating Wiring Diagram Omc 5 0l eBook Formats
 - ePub, PDF, MOBI, and More
 - Wiring Diagram Omc 5 0l Compatibility with Devices
 - Wiring Diagram Omc 5 0l Enhanced eBook Features
- 7. Enhancing Your Reading Experience
 - Adjustable Fonts and Text Sizes of Wiring Diagram Omc 5 0l
 - Highlighting and Note-Taking Wiring Diagram Omc 5 0l
 - Interactive Elements Wiring Diagram Omc 5 0l
- 8. Staying Engaged with Wiring Diagram Omc 5 0l
 - Joining Online Reading Communities
 - Participating in Virtual Book Clubs
 - Following Authors and Publishers Wiring Diagram Omc 5 0l

9. Balancing eBooks and Physical Books Wiring Diagram Omc 5 0l
 - Benefits of a Digital Library
 - Creating a Diverse Reading Collection Wiring Diagram Omc 5 0l
10. Overcoming Reading Challenges
 - Dealing with Digital Eye Strain
 - Minimizing Distractions
 - Managing Screen Time
11. Cultivating a Reading Routine Wiring Diagram Omc 5 0l
 - Setting Reading Goals Wiring Diagram Omc 5 0l
 - Carving Out Dedicated Reading Time
12. Sourcing Reliable Information of Wiring Diagram Omc 5 0l
 - Fact-Checking eBook Content of Wiring Diagram Omc 5 0l
 - Distinguishing Credible Sources
13. Promoting Lifelong Learning
 - Utilizing eBooks for Skill Development
 - Exploring Educational eBooks
14. Embracing eBook Trends
 - Integration of Multimedia Elements
 - Interactive and Gamified eBooks

Wiring Diagram Omc 5 0l Introduction

Wiring Diagram Omc 5 0l Offers over 60,000 free eBooks, including many classics that are in the public domain. Open Library: Provides access to over 1 million free eBooks, including classic literature and contemporary works. Wiring Diagram Omc 5 0l Offers a vast collection of books, some of which are available for free as PDF downloads, particularly older books in the public domain. Wiring Diagram Omc 5 0l : This website hosts a vast collection of scientific articles, books, and textbooks. While it operates in a legal gray area due to copyright issues, its a popular resource for finding various publications. Internet Archive for Wiring Diagram Omc 5 0l : Has an extensive collection of digital content, including books, articles, videos, and more. It has a massive library of free downloadable books. Free-eBooks Wiring Diagram Omc 5 0l Offers a diverse range of free eBooks across various genres. Wiring Diagram Omc 5 0l Focuses mainly on educational books, textbooks, and business books. It offers free PDF downloads for educational purposes. Wiring Diagram Omc 5 0l Provides a large selection of free

eBooks in different genres, which are available for download in various formats, including PDF. Finding specific Wiring Diagram Omc 5 0l, especially related to Wiring Diagram Omc 5 0l, might be challenging as they're often artistic creations rather than practical blueprints. However, you can explore the following steps to search for or create your own Online Searches: Look for websites, forums, or blogs dedicated to Wiring Diagram Omc 5 0l, Sometimes enthusiasts share their designs or concepts in PDF format. Books and Magazines Some Wiring Diagram Omc 5 0l books or magazines might include. Look for these in online stores or libraries. Remember that while Wiring Diagram Omc 5 0l, sharing copyrighted material without permission is not legal. Always ensure you're either creating your own or obtaining them from legitimate sources that allow sharing and downloading. Library Check if your local library offers eBook lending services. Many libraries have digital catalogs where you can borrow Wiring Diagram Omc 5 0l eBooks for free, including popular titles. Online Retailers: Websites like Amazon, Google Books, or Apple Books often sell eBooks. Sometimes, authors or publishers offer promotions or free periods for certain books. Authors Website Occasionally, authors provide excerpts or short stories for free on their websites. While this might not be the Wiring Diagram Omc 5 0l full book, it can give you a taste of the author's writing style. Subscription Services Platforms like Kindle Unlimited or Scribd offer subscription-based access to a wide range of Wiring Diagram Omc 5 0l eBooks, including some popular titles.

FAQs About Wiring Diagram Omc 5 0l Books

How do I know which eBook platform is the best for me? Finding the best eBook platform depends on your reading preferences and device compatibility. Research different platforms, read user reviews, and explore their features before making a choice. Are free eBooks of good quality? Yes, many reputable platforms offer high-quality free eBooks, including classics and public domain works. However, make sure to verify the source to ensure the eBook's credibility. Can I read eBooks without an eReader? Absolutely! Most eBook platforms offer web-based readers or mobile apps that allow you to read eBooks on your computer, tablet, or smartphone. How do I avoid digital eye strain while reading eBooks? To prevent digital eye strain, take regular breaks, adjust the font size and background color, and ensure proper lighting while reading eBooks. What the advantage of interactive eBooks? Interactive eBooks incorporate multimedia elements, quizzes, and activities, enhancing the reader engagement and providing a more immersive learning experience. Wiring Diagram Omc 5 0l is one of the best books in our library for free trial. We provide a copy of Wiring Diagram Omc 5 0l in digital format, so the resources that you find are reliable. There are also many eBooks related to Wiring Diagram Omc 5 0l. Where to download Wiring Diagram Omc 5 0l online for free? Are you looking for Wiring Diagram Omc 5 0l PDF? This is definitely going to save you time and cash in something you should think about.

Find Wiring Diagram Omc 5 0l :

uf chm 2046l lab manual answers

uk home security cctv guide

~~ucles 2014 4024 o n marking memo~~

ultimate sticky buns recipe

uce uneb past papers

uj 2016 brochure

ultimate option strategy guide

uil listening skills practice test

un chat megravene lenquecircte

ultimate mudslide recipe

~~ultimate anatomy the complete doctor s demands trilogy~~

uconnect 430 to 430n

ultimate guide to the human body answers

ultra classic service manual

ucles october november 2013 paper mathematics making scheme

Wiring Diagram Omc 5 0l :

wedding invitation templates to customize for free canva - Jan 08 2023

web by using canva s free wedding invitation templates you can make invites just the way you want them without breaking the bank our beautiful invitation templates for weddings are so easy to personalize

wedding invitation templates free greetings island - Sep 04 2022

web create your own wedding invitation cards in minutes with our invitation maker download print send online with rsvp or order printed choose from hundreds of editable custom designs for any wedding theme

istanbul evlilik teklifi istanbulevlilikteklif instagram photos - Jan 28 2022

web 8 244 followers 1 157 following 323 posts see instagram photos and videos from istanbul evlilik teklifi
istanbulevlilikteklif

29 199 vip wedding invitation images stock photos vectors - Jun 13 2023

web sep 30 2022 find vip wedding invitation stock images in hd and millions of other royalty free stock photos illustrations

and vectors in the shutterstock collection thousands of new high quality pictures added every day

marrigeme fiyatları evlilik teklifi İstanbul düğün com - Feb 26 2022

web o ilk evet anı her çifte özeldir marrigeme olarak evlilik teklifi İstanbul organizasyonlarımızda tüm ayrıntıları titizlikle planlıyor ve kaliteli bir hizmet sunuyoruz

vip invitation psd freepik - May 12 2023

web find download the most popular vip invitation psd on freepik free for commercial use high quality images made for creative projects

free customizable virtual invitation templates canva - Mar 30 2022

web virtual invitation templates watch the rsvps to your upcoming event roll in after sending your guests fun and creative virtual invitation cards design one using free customizable templates from canva skip to end of list virtual wedding invitations virtual bar mitzvah invitations virtual bat mitzvah invitations

wedding vip passes etsy - Apr 30 2022

web gold vip pass party invitation vip insert for lanyard vip pass invitation vip birthday invitation printable vip pass editable template 167 6 00

vip invitation etsy - Apr 11 2023

web vip invitation vip lanyard invitation design vip pass invitation vip birthday invitation printable vip pass templett digital invite

20 vip invitation templates designs psd ai - Aug 03 2022

web free invitation templates if these are what you need for the event that you are trying to put together then you won t need to look anywhere else below is a collection of various stunning vip invitation designs that can be used for all types of events feel free to look around first before deciding to download them

wedding invite vip invite royalty free images shutterstock - Jul 02 2022

web find wedding invite vip invite stock images in hd and millions of other royalty free stock photos illustrations and vectors in the shutterstock collection thousands of new high quality pictures added every day

luxury wedding invitations images freepik - Feb 09 2023

web you can find download the most popular luxury wedding invitations vectors on freepik there are more than 21 000 vectors stock photos psd files remember that these high quality images are free for commercial use

vip invitations invitation templates zazzle - Mar 10 2023

web find customizable vip invitations of all sizes pick your favorite invitation design from our amazing selection or create your own from scratch

turkish wedding invitations aleya cards istanbul turkey - Dec 07 2022

web contact 90 533 488 57 51 brands butiqline wedding invitation invitation models wax seal wedding invitations bride and groom wedding cards velvet wedding invitations laser cut wedding invitations luxury wedding invitations

[vip invitation images free download on freepik](#) - Aug 15 2023

web luxury invitation gala invitation vip golden invitation vip card black gold invitation gold invitation blue gold invitation wedding invitation black gold

free vip invitation template download in word google docs - Oct 05 2022

web any beautiful vip ticket or party invitation for a wedding luxury hotel movie or event is predesigned so that you won t have to start from blank after a few minutes you can already print your copy on a card or share it online

[buy vip wedding online in india etsy india](#) - Jun 01 2022

web vip invitation vip lanyard invitation design vip pass invitation vip birthday invitation printable vip pass templett digital invite

free wedding card maker design wedding invitations canva - Nov 06 2022

web add your own images fonts and colors to make easy beautiful diy wedding invitations take the stress out of wedding planning and create beautiful wedding invitations people will love print your wedding invitation in stunning high resolution or share it

vip wedding invitations templates zazzle - Jul 14 2023

web vip wedding invitations on zazzle are you looking to absolutely wow your guests guarantee that rsvp with the perfect vip wedding invitations from zazzle choose from a great selection of invitations that can easily be personalized for any celebration kick off this special moment with vip wedding invitations on zazzle

İstanbul da evlenme teklifi edilebilecek 10 yer İstanbul10 - Dec 27 2021

web sep 10 2015 1 sunset grill bar birçok kişi tarafından iş görüşmeleri doğum günü kutlamaları için tercih edilmekte fakat güzel bir evlilik teklifi için gayet ideal ve hoş bir mekandır romantik bir ortamın olmamasının mümkünatı yok geniş ve taze yemek mönüsü mevcuttur servis düzeyi de gayet tatminkar

[new york photographer idioma inglés bernhard hartmann](#) - Aug 15 2023

web new york photographer idioma inglés bernhard hartmann tapa dura ilustrado 21 julio 2017 edición en inglés de bernhard hartmann autor 55 valoraciones ver todos los formatos y ediciones tapa dura desde 58 19 1 de 2ª mano desde 58 19 5 nuevo desde 59 84 new york is probably the most photographed city in the world

new york photographer idioma ingles subscribe redhanger com - Jan 28 2022

web 4728469 new york photographer idioma ingles 3 18 downloaded from subscribe redhanger com on by guest the

connections between photography and a crucial issue in contemporary social history the book examines the prevalence of photography in cultural responses to processes of truth and reconciliation and argues that photographs

new york photographer idioma inglés serge ramelli - May 12 2023

web new york photographer idioma inglés serge ramelli serge ramelli amazon es libros

light on new york city photographer idioma ingles pdf - Oct 05 2022

web learn how to overcome every photographer s challenge from working in dim lighting to setting up the perfect flash this fully updated edition takes into account new photography trends and the latest equipment on the market start snapping with the beginner s photography guide and get the most out of your digital camera

streets of new york photographer idioma ingles copy - Aug 03 2022

web streets of new york photographer idioma ingles and numerous ebook collections from fictions to scientific research in any way in the midst of them is this streets of new york photographer idioma ingles that can be your partner

new york photographer idioma inglés bernhard hartmann - Mar 10 2023

web new york photographer idioma inglés bernhard hartmann bernhard hartmann amazon es libros saltar al contenido principal es hola elige tu dirección todos los departamentos selecciona el departamento que quieras buscar buscar amazon es es hola identifícate

light on new york city photographer idioma ingles pdf - Nov 06 2022

web get not discover the publication light on new york city photographer idioma ingles that you are looking for it will categorically squander the time however below similar to you visit this web page it will be in view of that certainly easy to acquire as capably as download lead light on new york city photographer idioma ingles

descarga new york photographer idioma inglés de bernhard - Feb 09 2023

web jan 20 2021 new york photographer idioma inglés de bernhard hartmann descripción reseña del editor new york is probably the most photographed city in the world it is hard to resist the fascination for the big apple and many have tried to visually capture the singularly unique empire state of mind

new york idioma inglés a century of aerial photography - Mar 30 2022

web new york idioma inglés a century of aerial photography skinner peter amazon es libros

light on new york city photographer idioma inglés franck - Dec 07 2022

web light on new york city photographer idioma inglés franck bohbot amazon es libros

light on new york city photographer idioma ingles book - Feb 26 2022

web light on new york city photographer idioma ingles right here we have countless ebook light on new york city photographer idioma ingles and collections to check out we additionally manage to pay for variant types and with type of the

books to browse the good enough book fiction history novel scientific research as skillfully
[new york thomas hoepker photographer tapa dura](#) - Apr 30 2022

web the bustling gateway to america new york has always been a city of dramatic excitement big dreams and constant changes a legendary photojournalist and former president of magnum photos thomas hoepker vividly captures the
photographer *terjemahan bahasa indonesia kamus bab la* - Dec 27 2021

web english cara menggunakan photographer dalam kalimat more vert normally included as utilities with camera these allow photographers to control the camera from a nearby computer more vert in the 1970s and 1980s a spirited attack on traditional documentary was mounted by historians critics and photographers more vert

streets of new york photographer idioma ingles book - Jan 08 2023

web streets of new york photographer idioma ingles bill cunningham on the street feb 24 2021 new york times bestseller the first published collection of photographs by the icon of street style bringing together favorites published in the new york times alongside never before seen work across five decades

light on new york city photographer idioma ingles pdf free - Jul 02 2022

web light on new york city photographer idioma ingles pdf upload arnold b boyle 2 3 downloaded from blog watchshopping com on september 1 2023 by arnold b boyle surfing champion kelly slater and an afterword by the author on his photographic practice and technique clark little the art of waves offers a rare view of the wave for us to enjoy

new york photographer idioma inglés zvab - Jul 14 2023

web new york photographer idioma inglés von serge ramelli beim zvab com isbn 10 396171181x isbn 13 9783961711819 teneues 2019 hardcover

new york photographer idioma inglés serge ramelli - Jun 13 2023

web new york photographer idioma inglés serge ramelli de serge ramelli en iberlibro com isbn 10 396171181x isbn 13 9783961711819 teneues 2019 tapa dura

hire a vacation photographer in new york city with flytographer - Jun 01 2022

web the world watches new york to set the trends and offer up the most interesting venues to eat see shop and stay each of its boroughs brings a high tempo flavour and diversity that are unmatched around the world choose your photographer in new york city pricing starts at 285 usd for a 30 minute shoot proposal packages start at 385 usd

streets of new york photographer idioma inglés amazon es - Apr 11 2023

web streets of new york photographer idioma inglés mendo amazon es libros libros arte y fotografía fotografía y vídeo nuevo 36 92 precio recomendado 50 00 ahorra 13 08 26 precio final del producto y devoluciones gratis entrega gratis el viernes 25 de noviembre ver detalles entrega más rápida mañana 23 de noviembre

[light on new york city photographer idioma ingles susan](#) - Sep 04 2022

web merely said the light on new york city photographer idioma ingles is universally compatible in the manner of any devices to read books on colour 1495 2015 history and bibliography roy osborne 2015 10 25 updated to 2020 books on colour 1495 2015 offers quick and easy reference to 2 500 authors and

free world history flashcards about ch 21 studystack - Jun 30 2022

web wh ch 21 question answer with the emperor being at the top of japan s social hierarchy what would be the correct descending order shogun daimyo samurai

world history chapter 21 assessment flashcards quizlet - Jul 12 2023

web 1 20 flashcards learn test match created by jonathan haney5 terms in this set 20 absolute monarch divine right louis xiv war of the spanish succession

world history ch 21 flashcards studyhippo com - Jan 26 2022

web jul 8 2022 world history ch 21 flashcards get access to high quality and unique 50 000 college essay examples and more than 100 000 flashcards and test answers from

[world history chapter 21 section review questions flashcards](#) - Oct 15 2023

web world history chapter 21 section review questions because many monarchies at the time combined people of many nationalities who wanted their own governments click

[world history chapter 21 test flashcards studyhippo com](#) - Mar 28 2022

web jul 7 2022 king of france who was restored to the throne by the congress of vienna unlock the answer question louis napoleon answer president of the second republic

[world history chapter 21 flashcards quizlet](#) - Feb 07 2023

web a huguenot prince who married catherine s daughter and was descended from louis ix he gave up protestantism when he became king and became a catholic to gain the favor of

world history chapter 21 review flashcards quizlet - Sep 14 2023

web 1 22 flashcards learn test match q chat created by tfarleyv teacher terms in this set 22 what concept was the belief in divine right used to support absolute rule who

[test answers on world history chapter 21 flashcards](#) - Sep 02 2022

web jul 7 2022 test answers on world history chapter 21 flashcards get access to high quality and unique 50 000 college essay examples and more than 100 000 flashcards

[world history chapter 21 section review questions flashcards](#) - May 30 2022

web jul 7 2022 world history chapter 21 section review questions flashcards get access to high quality and unique 50 000

college essay examples and more than 100

free world history flashcards about chapter 21 studystack - Nov 04 2022

web study free world history flashcards about chapter 21 created by stephenshipman to improve your grades matching game word search puzzle and hangman also available

world history and geography student 1st edition quizlet - Aug 13 2023

web our resource for world history and geography student includes answers to chapter exercises as well as detailed information to walk you through the process step by step

world history ch 21 answers flashcards studyhippo - Oct 03 2022

web jul 7 2022 world history ch 21 answers flashcards get access to high quality and unique 50 000 college essay examples and more than 100 000 flashcards and test

world history chapter 21 questions to review the reading quizlet - May 10 2023

web world history chapter 21 questions to review the reading what were the basic features of the new industrial system created by the industrial revolution click the card to flip

answer key chapter 21 u s history openstax - Nov 23 2021

web 9 a 11 d 13 wilson s actions were limited by his belief in his new freedom platform which promised voters a small government still he took a number of steps in the first

world history chapter 21 flashcards quizlet - Mar 08 2023

web study with quizlet and memorize flashcards containing terms like foreign minister ordinance radical and more

world history chapter 21 test flashcards quizlet - Jun 11 2023

web 1 42 flashcards learn test match created by croberts1 terms in this set 42 spanish ruler who defended catholicism philip ii this artist used unusual styles el greco fleet of

abeka product information world history and cultures answer - Feb 24 2022

web overview evaluate your child s answers to each section review within world history and cultures also including answers to each chapter review this answer key gives

world history chapter 21 test review flashcards quizlet - Apr 09 2023

web world history chapter 21 test review study flashcards learn write spell test play match gravity created by jed wilkinson terms in this set 35 medieval scientists

ch 21 flashcard studyhippo com - Dec 25 2021

web jun 27 2020 answer the united nations for a forum for international opinion the world bank and international monetary fund for stimulating economic development european

world history chapter 21 22 study guide flashcards quizlet - Jan 06 2023

web start studying world history chapter 21 22 study guide learn vocabulary terms and more with flashcards games and other study tools

world history chapter 21 test review proprofs flashcards - Apr 28 2022

web sep 22 2015 cards in this set hapsburg king and hre devout catholic peace of augsburg divides empire ferdinand brother gets austria and hre philip ii son gets

world history mr schultz s history class - Aug 01 2022

web chapter 21 notes week of 5 25 15 5 29 15 monday no school memorial day tuesday review for chapter 20 quiz pages 559 565 570 575 3 5 and page 576 9 18

world history chapter 21 review flashcards cram com - Dec 05 2022

web the works of artists and writers portrayed a pessimistic and disjointed view of man his world and the future in light of death and destruction of the war and the moral and