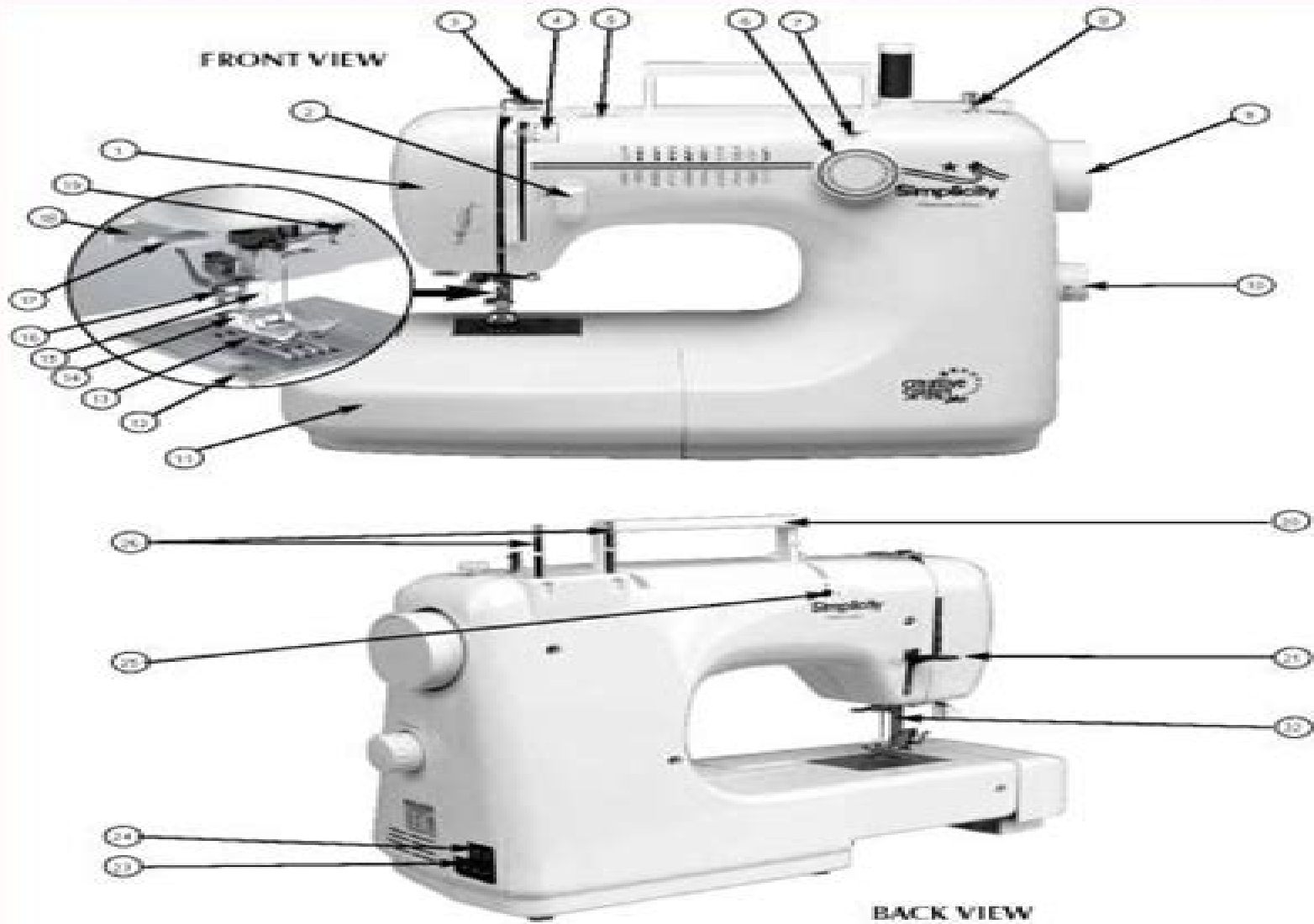


# KNOW YOUR SIMPLICITY SEWING MACHINE



# Simplicity Sewing Machine Manual

**WJ Hussar**



## **Simplicity Sewing Machine Manual:**

Uncover the mysteries within its enigmatic creation, Discover the Intrigue in **Simplicity Sewing Machine Manual** . This downloadable ebook, shrouded in suspense, is available in a PDF format ( PDF Size: \*). Dive into a world of uncertainty and anticipation. Download now to unravel the secrets hidden within the pages.

[https://movement.livewellcolorado.org/public/Resources/Download\\_PDFS/sigmatex\\_xmb\\_510\\_dvd\\_players\\_owners\\_manual.pdf](https://movement.livewellcolorado.org/public/Resources/Download_PDFS/sigmatex_xmb_510_dvd_players_owners_manual.pdf)

## **Table of Contents Simplicity Sewing Machine Manual**

1. Understanding the eBook Simplicity Sewing Machine Manual
  - The Rise of Digital Reading Simplicity Sewing Machine Manual
  - Advantages of eBooks Over Traditional Books
2. Identifying Simplicity Sewing Machine Manual
  - Exploring Different Genres
  - Considering Fiction vs. Non-Fiction
  - Determining Your Reading Goals
3. Choosing the Right eBook Platform
  - Popular eBook Platforms
  - Features to Look for in a Simplicity Sewing Machine Manual
  - User-Friendly Interface
4. Exploring eBook Recommendations from Simplicity Sewing Machine Manual
  - Personalized Recommendations
  - Simplicity Sewing Machine Manual User Reviews and Ratings
  - Simplicity Sewing Machine Manual and Bestseller Lists
5. Accessing Simplicity Sewing Machine Manual Free and Paid eBooks
  - Simplicity Sewing Machine Manual Public Domain eBooks
  - Simplicity Sewing Machine Manual eBook Subscription Services
  - Simplicity Sewing Machine Manual Budget-Friendly Options

6. Navigating Simplicity Sewing Machine Manual eBook Formats
  - ePub, PDF, MOBI, and More
  - Simplicity Sewing Machine Manual Compatibility with Devices
  - Simplicity Sewing Machine Manual Enhanced eBook Features
7. Enhancing Your Reading Experience
  - Adjustable Fonts and Text Sizes of Simplicity Sewing Machine Manual
  - Highlighting and Note-Taking Simplicity Sewing Machine Manual
  - Interactive Elements Simplicity Sewing Machine Manual
8. Staying Engaged with Simplicity Sewing Machine Manual
  - Joining Online Reading Communities
  - Participating in Virtual Book Clubs
  - Following Authors and Publishers Simplicity Sewing Machine Manual
9. Balancing eBooks and Physical Books Simplicity Sewing Machine Manual
  - Benefits of a Digital Library
  - Creating a Diverse Reading Collection Simplicity Sewing Machine Manual
10. Overcoming Reading Challenges
  - Dealing with Digital Eye Strain
  - Minimizing Distractions
  - Managing Screen Time
11. Cultivating a Reading Routine Simplicity Sewing Machine Manual
  - Setting Reading Goals Simplicity Sewing Machine Manual
  - Carving Out Dedicated Reading Time
12. Sourcing Reliable Information of Simplicity Sewing Machine Manual
  - Fact-Checking eBook Content of Simplicity Sewing Machine Manual
  - Distinguishing Credible Sources
13. Promoting Lifelong Learning
  - Utilizing eBooks for Skill Development
  - Exploring Educational eBooks
14. Embracing eBook Trends
  - Integration of Multimedia Elements

- Interactive and Gamified eBooks

### **Simplicity Sewing Machine Manual Introduction**

In this digital age, the convenience of accessing information at our fingertips has become a necessity. Whether its research papers, eBooks, or user manuals, PDF files have become the preferred format for sharing and reading documents. However, the cost associated with purchasing PDF files can sometimes be a barrier for many individuals and organizations. Thankfully, there are numerous websites and platforms that allow users to download free PDF files legally. In this article, we will explore some of the best platforms to download free PDFs. One of the most popular platforms to download free PDF files is Project Gutenberg. This online library offers over 60,000 free eBooks that are in the public domain. From classic literature to historical documents, Project Gutenberg provides a wide range of PDF files that can be downloaded and enjoyed on various devices. The website is user-friendly and allows users to search for specific titles or browse through different categories. Another reliable platform for downloading Simplicity Sewing Machine Manual free PDF files is Open Library. With its vast collection of over 1 million eBooks, Open Library has something for every reader. The website offers a seamless experience by providing options to borrow or download PDF files. Users simply need to create a free account to access this treasure trove of knowledge. Open Library also allows users to contribute by uploading and sharing their own PDF files, making it a collaborative platform for book enthusiasts. For those interested in academic resources, there are websites dedicated to providing free PDFs of research papers and scientific articles. One such website is Academia.edu, which allows researchers and scholars to share their work with a global audience. Users can download PDF files of research papers, theses, and dissertations covering a wide range of subjects. Academia.edu also provides a platform for discussions and networking within the academic community. When it comes to downloading Simplicity Sewing Machine Manual free PDF files of magazines, brochures, and catalogs, Issuu is a popular choice. This digital publishing platform hosts a vast collection of publications from around the world. Users can search for specific titles or explore various categories and genres. Issuu offers a seamless reading experience with its user-friendly interface and allows users to download PDF files for offline reading. Apart from dedicated platforms, search engines also play a crucial role in finding free PDF files. Google, for instance, has an advanced search feature that allows users to filter results by file type. By specifying the file type as "PDF," users can find websites that offer free PDF downloads on a specific topic. While downloading Simplicity Sewing Machine Manual free PDF files is convenient, its important to note that copyright laws must be respected. Always ensure that the PDF files you download are legally available for free. Many authors and publishers voluntarily provide free PDF versions of their work, but its essential to be cautious and verify the authenticity of the source before downloading Simplicity Sewing Machine Manual. In conclusion, the internet offers numerous platforms and websites that allow users to download free PDF files legally. Whether its classic

literature, research papers, or magazines, there is something for everyone. The platforms mentioned in this article, such as Project Gutenberg, Open Library, Academia.edu, and Issuu, provide access to a vast collection of PDF files. However, users should always be cautious and verify the legality of the source before downloading Simplicity Sewing Machine Manual any PDF files. With these platforms, the world of PDF downloads is just a click away.

### FAQs About Simplicity Sewing Machine Manual Books

**What is a Simplicity Sewing Machine Manual PDF?** A PDF (Portable Document Format) is a file format developed by Adobe that preserves the layout and formatting of a document, regardless of the software, hardware, or operating system used to view or print it. **How do I create a Simplicity Sewing Machine Manual PDF?** There are several ways to create a PDF: Use software like Adobe Acrobat, Microsoft Word, or Google Docs, which often have built-in PDF creation tools. Print to PDF: Many applications and operating systems have a "Print to PDF" option that allows you to save a document as a PDF file instead of printing it on paper. Online converters: There are various online tools that can convert different file types to PDF. **How do I edit a Simplicity Sewing Machine Manual PDF?** Editing a PDF can be done with software like Adobe Acrobat, which allows direct editing of text, images, and other elements within the PDF. Some free tools, like PDFescape or Smallpdf, also offer basic editing capabilities. **How do I convert a Simplicity Sewing Machine Manual PDF to another file format?** There are multiple ways to convert a PDF to another format: Use online converters like Smallpdf, Zamzar, or Adobe Acrobats export feature to convert PDFs to formats like Word, Excel, JPEG, etc. Software like Adobe Acrobat, Microsoft Word, or other PDF editors may have options to export or save PDFs in different formats. **How do I password-protect a Simplicity Sewing Machine Manual PDF?** Most PDF editing software allows you to add password protection. In Adobe Acrobat, for instance, you can go to "File" -> "Properties" -> "Security" to set a password to restrict access or editing capabilities. Are there any free alternatives to Adobe Acrobat for working with PDFs? Yes, there are many free alternatives for working with PDFs, such as: LibreOffice: Offers PDF editing features. PDFsam: Allows splitting, merging, and editing PDFs. Foxit Reader: Provides basic PDF viewing and editing capabilities. How do I compress a PDF file? You can use online tools like Smallpdf, ILovePDF, or desktop software like Adobe Acrobat to compress PDF files without significant quality loss. Compression reduces the file size, making it easier to share and download. Can I fill out forms in a PDF file? Yes, most PDF viewers/editors like Adobe Acrobat, Preview (on Mac), or various online tools allow you to fill out forms in PDF files by selecting text fields and entering information. Are there any restrictions when working with PDFs? Some PDFs might have restrictions set by their creator, such as password protection, editing restrictions, or print restrictions. Breaking these restrictions might require specific software or tools, which may or may not be legal depending on the circumstances and

local laws.

**Find Simplicity Sewing Machine Manual :**

**sigmatek xmb 510 dvd players owners manual**

[simplex 4100es operation manual](#)

**similarities between nsfas and other student**

**sig sauer mosquito owner s manual**

*similarities and differences between nsfas and nedbank student loan*

*sima udc 1 owners manual*

~~similarities between nsfas student loan~~

~~significant digits and measurement pogil answer key~~

*similaritis of nsfas*

~~simple chocolate mousse recipe~~

**similaries funza lushaka**

*simple task anaylsis on a recipe*

**similaritie between funza lushaka and nsfas**

[simple sweet and sour chicken recipe](#)

[simple machines forces in action do it yourself](#)

**Simplicity Sewing Machine Manual :**

*micro organisms and their applications wjec test questions - Dec 31 2022*

web microbiology exam 1 teacher 166 terms malinda murphy preview math test 36 terms e a v d w preview test microbiology

36 terms sora953 preview

*microbiology questions and answers homework study com - Sep 27 2022*

web given below is a set of mcqs on microbiology along with the answers for reference these will help the students to enhance their conceptual knowledge microbiology

**microbiology mcq multiple choice questions - Aug 07 2023**

web free access to practice quiz and exam questions on many microbiology topics including history bacteria eukaryotic microbes viruses immunology



**1 e fundamentals of microbiology exercises** - Mar 02 2023

web living with micro organisms learn how bacteria affect food storage and revise how we study and apply our knowledge of microbial growth

*microbiology test question bank flashcards quizlet* - Apr 03 2023

web course mcat unit 6 lesson 6 prokaryotes bacteria mini mcat passage mrsa detection mechanisms mcat training passage virulence factors in outbreak strain

introduction to microbiology quiz questions and answers - Feb 18 2022

web mar 21 2023 feeling competitive check out our online microbiology test questions and answers to prepare for an upcoming exam stay updated or even get insights into

*ch 1 multiple choice microbiology openstax* - Sep 08 2023

web multiple choice quiz choose the best answer 1 the significance of the plasma membrane is that a it selectively allows some molecules to pass into the organism b the

**practice exam questions university of minnesota duluth** - May 04 2023

web 1 1 introduction to microbiology study the material in this section and then write out the answers to these questions do not just click on the answers and write them out this

**microbiology exam 1 questions flashcards and study sets quizlet** - Nov 29 2022

web microbiology questions and answers get help with your microbiology homework access the answers to hundreds of microbiology questions that are explained in a

*50 bacteria quizzes questions answers trivia proprofs* - Jan 20 2022

**prokaryotes questions practice khan academy** - Feb 01 2023

web learn microbiology exam 1 questions with free interactive flashcards choose from 5 000 different sets of microbiology exam 1 questions flashcards on quizlet

**microbiology lab quizzes questions answers proprofs** - Jun 24 2022

web learn and practise solving microbiology questions and answers section on bacteria to enhance your skills so that you can clear interviews competitive examinations and

medical microbiology quiz questions and answers proprofs - Mar 22 2022

web aug 21 2023 plasma membrane take this bacteria test gram positive cocci take this bacteria test gram positive cocci in bacteriology gram positive bacteria are bacteria

microbiology test questions and answers proprofs quiz - Dec 19 2021

[microbiology mcq with answers keys free download byju s](#) - Jul 26 2022

web what are the functions of the cell membrane the phospholipid bilayer that is semipermeable 1 maintain cell boundaries 2 maintain concentration gradient 3

[microbiology multiple choice quiz mcgraw hill education](#) - Jul 06 2023

web practice examination questions multiple choice questions note more than one answer can be correct circle all correct answers 1 what groups listed below

**free microbiology practice test questions from science prof online** - Jun 05 2023

web where in the environment might you find microbes conducting anaerobic respiration a in the surface water of a pond b on the surface of a leaf c on the outside of the skin of a

**microbiology exam 1 flashcards quizlet** - May 24 2022

web jul 3 2023 can you score high by attempting these medical microbiology quiz questions and answers check it out now medical microbiology the large subset of

**bacteria microbiology questions and answers indiabix** - Apr 22 2022

web may 29 2023 take this introduction to microbiology quiz questions and answers to check your knowledge biology has you covered whether it s the wonderful species in

[135 microbiology quizzes questions answers trivia](#) - Oct 09 2023

web oct 17 2023 check out our online microbiology test questions and answers to prepare for an upcoming exam stay updated or even get insights into creating awesome quiz

**microbiology test questions flashcards quizlet** - Oct 29 2022

web microbiology quizzes test your understanding of microbiology concepts with study com s quick multiple choice quizzes missed a question here and there

**microbiology quizzes study com** - Aug 27 2022

web aug 21 2023 each quiz will feature multiple choice questions that cover different aspects of microbiology lab techniques you ll be tested on your understanding of aseptic

[test bank solutions pearson s federal taxation 2022 studocu](#) - May 13 2023

web a federal insurance contributions act fica b excise tax c property tax d gift tax answer a explanation for upper income wage earners the social security tax ceases at a maximum wage base for 2021 wages over 142 800 are not subject to

[2020 comp im ch01 solution manual 1 manual chapter 1](#) - Dec 08 2022

web this chapter presents information on the magnitude of federal taxes collected and on taxpayer obligations also the history of u s federal taxation is briefly summarized followed by a review of

*chapter 10 pdf income tax taxable income scribd* - Mar 31 2022

web chapter 10 basic income tax patterns 87 net income for the first quarter p50 000 p60 000 p70 000 p180 000 less optional standard deduction p180 000 x 40 72 000 net taxable income first quarter p108 000 note no personal exemption yet is allowed to be deducted in the quarterly income tax the

**5413 201 introduction to federal income taxation in course hero** - Feb 27 2022

web 5413 201 introduction to federal income taxation in canada solution 8 basic a from acc 522 at ryerson university upload to study expert help study resources intro 2019 solutions manual chapter 9 docx solutions available seneca college tax iaf 320 trending in acc 522 canadian income tax afa517 chap 3 pdf

**solution manual south western federal taxation individual income tax** - May 01 2022

web solution manual advanced accounting by guerrero peralta chapter 2 solution manual south western federal taxation individual income tax 35e by hoffman chapter 14 solution manual south western federal taxation individual income tax 35e by hoffman chapter 18 solution manual south western federal taxation individual income tax

[income taxation solution manual 2019 ed studocu](#) - Oct 06 2022

web income taxation solution manual 2019 ed warning tt undefined function 22 warning tt undefined studocu applied auditing by assuncion ngina and escala d b is non delegation c there is taxpayer class excise tax or sin tax excise tax or privilege tax this is different with excise tax as a privilege tax

**solution manual ch01 canadian tax principles 2019 2020 solutions** - Jun 02 2022

web solution manual ch01 canadian tax principles 2019 2020 solutions manual chapters 1 to 10 studocu solution manual ch01 fanshawe college taxation 1 personal tax fina 3043 students shared 22 documents in this course recommended fina 3043 review practice questions for fol test assignment 1 mary summary an

*introduction to federal income taxation in canada studocu* - Jan 29 2022

web find all the study resources for introduction to federal income taxation in canada by robert e beam stanley n laiken james j barnett we have 19 summaries and 5 courses related to this book on our website

*introduction to federal income taxation 2012 2013 in canada* - Dec 28 2021

web apr 8 2019 chapter 10 computation of taxable income and taxes payable for individuals short questions 1 ms x earns 20 000 of employment income and has come to you to talk about her investment income

**federal income taxation solution manual chapter 10** - Nov 07 2022

web solutions manual to accompany spence s finite mathematics janet eardley 1981 south western federal taxation 2023 comprehensive james c young 2022 04 11 master today s most current tax concepts and latest tax law with south western federal taxation 2023 comprehensive 46e this reader friendly yet thorough

**federal income taxation solution manual chapter 10 wrbb neu** - Aug 04 2022

web getting the books federal income taxation solution manual chapter 10 now is not type of challenging means you could not deserted going behind book deposit or library or borrowing from your associates to gate them

**chap10 solutions to chapter 10 assignment problems 59** - Feb 10 2023

web introduction to federal income taxation in canada fundamentals solution 2 basic a paragraph 3 a sources of income sections 5 8 employment income 7 000 sections 9 20 property income 800 paragraph 3 b taxable capital gains gain on abc shares 1 200 50 600 section 3 net income for tax purposes 8 400 the lottery winnings

*solutions manual for introduction to federal income taxation in* - Jan 09 2023

web solutions manual for introduction to federal income taxation in canada authors robert e beam stanley n laiken cch canadian limited journal magazine english c1980 1994

**chapter 10 solutions essentials of federal income taxation for** - Jul 15 2023

web access essentials of federal income taxation for individuals and business 2017 0th edition chapter 10 solutions now our solutions are written by chegg experts so you can be assured of the highest quality

**fundamentals of taxation 2017 edition 10th edition textbook solutions** - Jun 14 2023

web access fundamentals of taxation 2017 edition 10th edition solutions now our solutions are written by chegg experts so you can be assured of the highest quality

**chapter 10 solutions fundamentals of federal income taxation** - Aug 16 2023

web ch10 problem 1asp step by step solution step 1 of 5 alimony step 2 of 5 alimony payments until 2018 tax year are deductible to the payor and included in gross income of the payee alimony payments from 2019 are tax neutral they are not deductible to payor and not part of gross income of payee step 3 of 5 a

**solution manual south western federal taxation individual income tax** - Sep 05 2022

web solution manual advanced accounting by guerrero peralta chapter 2 solution manual sw federal taxation corporations partnerships estates and trusts 35e by hoffman chapter 10 solution manual sw federal taxation corporations partnerships estates and trusts 35e by hoffman chapter 11 solution manual south western federal taxation

**tax 1 2020 sol man chapter 7 to 10 1 page solutions manual income** - Mar 11 2023

web taxes and licenses 50 tax assessment including interest 115 utilities expense 100 casualty losses 60 depreciation expense 40 000 1 125 000 net capital gain loss capital gain on sale of a 10 year bonds held for 8 years tax exempt capital loss on sale of bonds of a domestic corporation 20 000 dividend income from domestic corporation

[introduction to federal income taxation in canada 43rd edition](#) - Jul 03 2022

web introduction to federal income taxation in canada 43rd edition 2022 2023 edition by nathalie johnstone devan mescall

julie robson solution manual chapter 22 sample solution 2 new wave computers inc nwc suggested solution using ms excel data analysis tools a types of supplies and pos rules

**solutions manual chapters 01 10 2018 studocu** - Apr 12 2023

web solutions manual chapters 01 10 2018 chapter one solutions solution to assignment problem one studocu ch3

assignment solution taxation 1 quiz 2 2021 fmgt 3410 wk 3 lab solutions for all questions 2018 fmgt 3410 midterm review package questions homework solution chapter 21 homework

*breaking ground the call of the wild apple michael* - May 03 2023

web find helpful customer reviews and review ratings for the call of the wild green apple step two at amazon com read honest and unbiased product reviews from our users

9788877548597 the call of the wild green apple step two - Dec 30 2022

web the call of the wild buch mit audio cd black cat green apple step 2 london jack isbn 9783526520818 kostenloser versand für alle bücher mit versand und verkauf

the call of the wild buch mit audio cd black cat green apple - Nov 28 2022

web starting at 0 99 the call of the wild and white fang

**the call of the wild illustrated apple books** - Mar 21 2022

web oct 2 2023 the klondike gold rush is on this is a gripping survival story of a heroic dog named buck and the one man he will accept as his master john thornton london

**the call of the wild apple tv si** - Feb 17 2022

web apr 25 1993 starring erick mccormack ricky schroder episodes call of the wild john thornton a man in his early twenties ventures into the rugged snow covered yukon and meets a dog name buck encounters many adventures and discovers that true wealth lies not in the lure of riches but in the dignity and integrity of friendship and loyalty

*go behind the scenes to see how the call of the wild went* - Oct 16 2021

green apple the call of the wild audio cd alibris - Sep 26 2022

web the call of the wild green apple con audio scaricabile lingua inglese the call of the wild audio cd di london isbn 10 8877548592 isbn 13 9788877548597 black

amazon com customer reviews the call of the wild green - Apr 02 2023

web buy green apple the call of the wild audio cd by london jack clemen gina d b online on amazon ae at best prices fast and free shipping free returns cash on delivery

**the call of the wild apple tv tr** - Jun 23 2022

web apr 12 2023 call of the wild on apple podcasts 28 episodes nature is in crisis and this affect all of us the environmental challenges that we face from deforestation to climate change are threatening our wildlife biodiversity and

*call of the wild apple tv* - Dec 18 2021

web jun 5 2020 the call of the wild follows john thornton played by harrison ford as he treks across the yukon territory during the klondike gold rush of the 1890s a story of

the call of the wild apple tv - Oct 28 2022

web find books like the call of the wild green apple from the world s largest community of readers goodreads members who liked the call of the wild green

**the call of the wild green apple open library** - Sep 07 2023

web jan 1 2008 the call of the wild green apple step two pocket book january 1 2008 by gina d b clemen adapter jack london author 4 6 4 6 out of 5 stars 11 829 ratings

**call of the wild on apple podcasts** - Apr 21 2022

web buck is a big hearted dog whose blissful domestic life gets turned upside down when he is suddenly uprooted from his california home and transplanted

*green apple the call of the wild audio cd amazon in* - Jun 04 2023

web nov 5 1998 the recent discovery of the apple s center of diversity as botanists call such a place was actually a rediscovery in 1929 nikolai i vavilov the great russian

**the call of the wild apple tv au** - Nov 16 2021

web the call of the wild available on itunes disney adapted from jack london s beloved literary classic the call of the wild vividly brings to life the story of a big hearted dog named buck and john thornton harrison ford the man buck must learn to trust

**green apple the call of the wild amazon co uk** - Jul 05 2023

web green apple the call of the wild audio cd pocket book import 10 may 2012 by jack london author gina d b clemen author 4 4 4 4 out of 5 stars 11 707 ratings

**green apple the call of the wild amazon ae** - Mar 01 2023

web 6 the call of the wild arbors green pastures orchards and berry patches then there was the pumping plant for the artesian well and the big cement tank where judge miller s boys took their morning plunge and kept cool in the hot afternoon and over this great demesne buck ruled here he was born and here

*the call of the wild green apple step two pocket book* - Aug 06 2023

web may 10 2012 buy green apple the call of the wild audio cd green apple step two by london jack clemen gina d b isbn

9788877548597 from amazon s book store

**the call of the wild apple tv ca** - Sep 14 2021

*the call of the wild green apple con audio scaricabile lingua* - Jul 25 2022

web sep 15 2023 the call of the wild novel by jack london published serially by the saturday evening post in 1903 and then as a single volume book by macmillan co

**the call of the wild green apple by gina d b clemen** - Oct 08 2023

web jan 31 2005 created by an anonymous user imported from amazon com record the call of the wild by gina d b clemen jack london january 31 2005 cideb editrice

the call of the wild on apple books - Jan 19 2022

web the call of the wild apple tv au view in itunes available on itunes disney buck is a big hearted dog whose blissful domestic life gets turned upside down when he is

books similar to the call of the wild green apple goodreads - Aug 26 2022

web the call of the wild apple tv tr available on itunes in the canadian yukon in the 1890s the gold rush is happening at this time the sled dogs who can cover the tough

*the call of the wild summary characters facts britannica* - May 23 2022

web the call of the wild is a novel by american writer jack london the plot concerns a previously domesticated dog named buck whose primordial instincts return after a

the call of the wild the public s library and digital archive - Jan 31 2023

web abebooks com the call of the wild green apple step two 9788877548597 by london jack and a great selection of similar new used and collectible books available